



US00D405807S

# United States Patent [19]

Amy et al.

[11] Patent Number: **Des. 405,807**

[45] Date of Patent: **\*\*Feb. 16, 1999**

[54] **WHEEL LOADER EXTERIOR**

[75] Inventors: **James B. Amy**, Cary; **Alan A. Davidovich**, Garner; **Jeffrey A. Deneve**, Sanford; **H. Patrick Gaines**, Raleigh; **Owen S. Loughrin**, Sanford; **Richard A. Naugle**, Fuquay Varina; **Alfred C. Wingate**, Sanford, all of N.C.; **Peter Knopp**, Munich; **Michael Mursch**, Scheyern, both of Germany; **Andrew P. Lodge**, Wigston, United Kingdom

[73] Assignee: **Caterpillar Commercial SARL**, Switzerland

[\*\*] Term: **14 Years**

[21] Appl. No.: **73,067**

[22] Filed: **Jun. 30, 1997**

[51] **LOC (6) Cl.** ..... **15-04**

[52] **U.S. Cl.** ..... **D15/25**

[58] **Field of Search** ..... D15/10, 22-26; 180/89.1, 89.12, 89.13, 89.19; 266/190, 202; 414/685, 722, 724

[56] **References Cited**

**U.S. PATENT DOCUMENTS**

D. 196,500	10/1963	Shapiro et al. ....	D15/25
D. 326,858	6/1992	Skeel et al. ....	D15/25
D. 364,408	11/1995	Bryant et al. ....	D15/25
4,068,959	1/1978	Pemberton ....	414/724
4,220,215	9/1980	Stark ....	414/685
4,309,142	1/1982	Shumaker ....	414/722

4,329,109	5/1982	Den Bleyker .....	414/685
4,403,906	9/1983	Holopainen .....	414/724
4,768,917	9/1988	Garman .....	414/697
5,273,375	12/1993	Plourde .....	D15/25
5,400,531	3/1995	Brown .....	47/468
5,595,471	1/1997	Ajilore .....	414/685
5,599,158	2/1997	Ajilore .....	414/685

**FOREIGN PATENT DOCUMENTS**

2418840	3/1978	France .
403180628	8/1991	Japan .

**OTHER PUBLICATIONS**

Farm Industry News, Oct. 1996, p. 30, Koyker 600 Loader. JCB 408B Specification Sheet 2 pages, Dec. 1996. ZL80 Zeppelin—Radlader 2 Pages, undated.

*Primary Examiner*—Sandra L. Morris  
*Attorney, Agent, or Firm*—Diana L. Charlton; William C. Perry

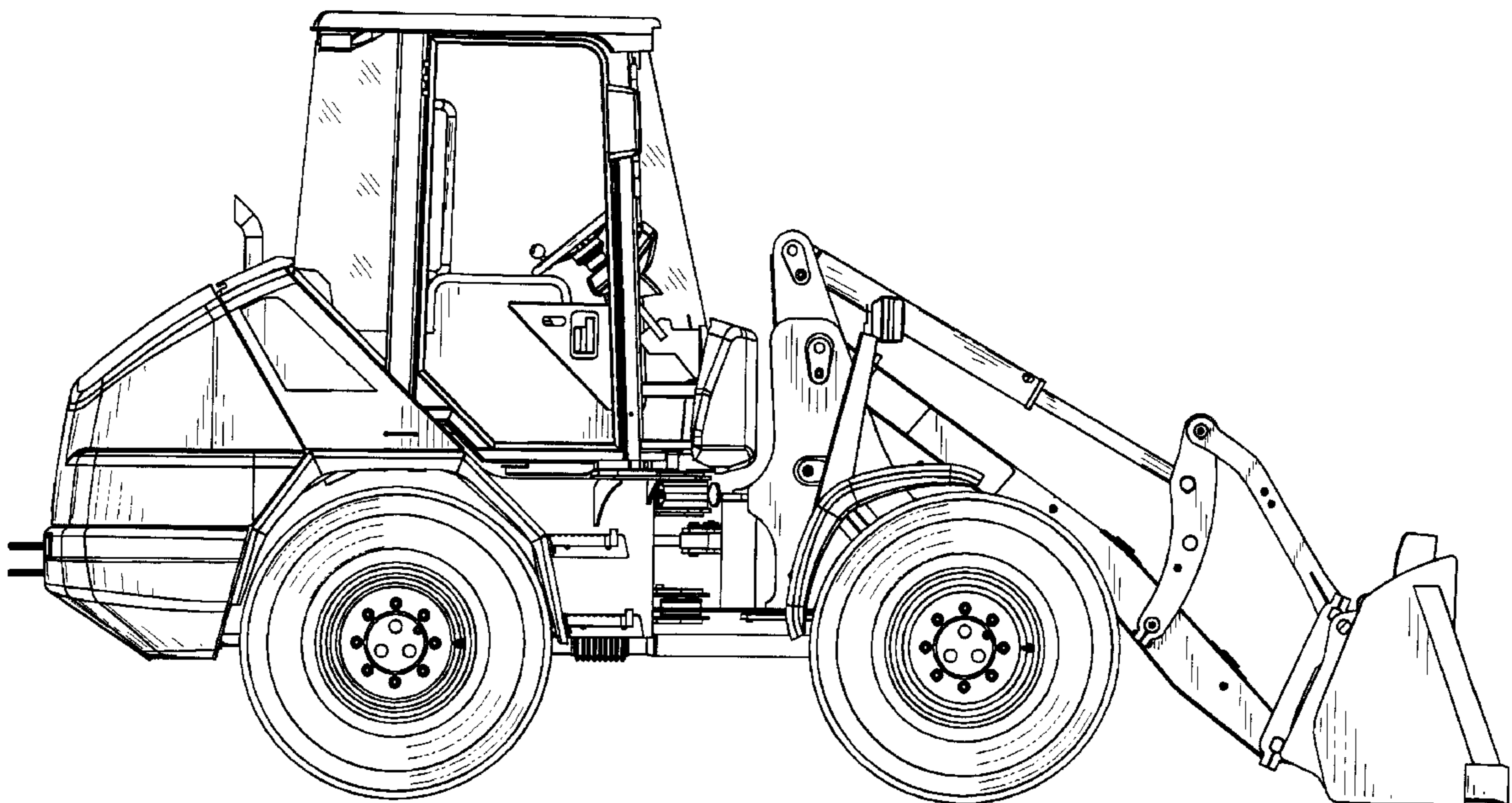
[57] **CLAIM**

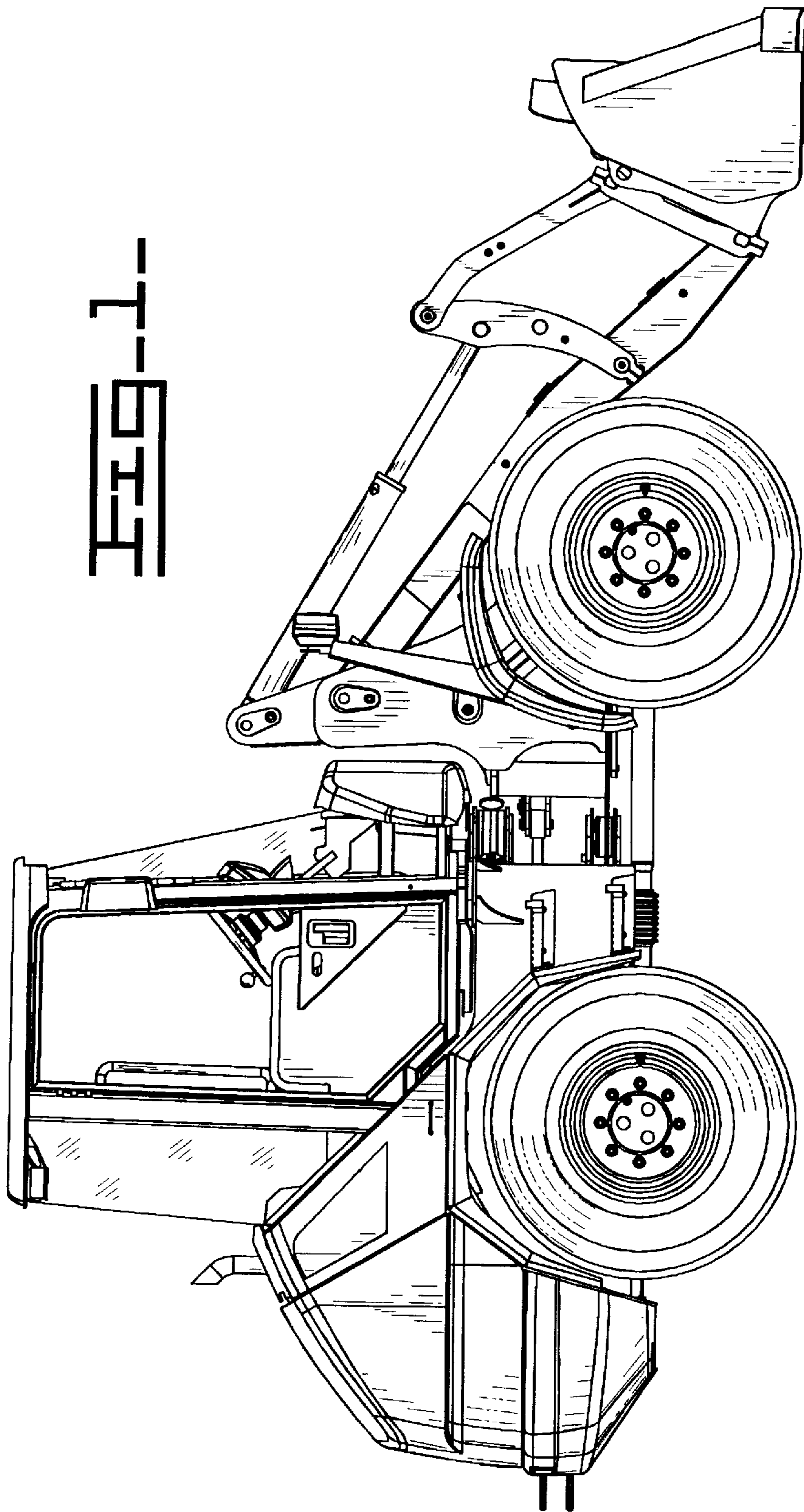
The ornamental design for a wheel loader exterior, as shown and described.

**DESCRIPTION**

FIG. 1 is a right side elevational view of a wheel loader exterior showing our new design; FIG. 2 is a left side elevational view thereof; FIG. 3 is a front elevational view thereof; FIG. 4 is a rear elevational view thereof; FIG. 5 is a top plan view thereof; and, FIG. 6 is a bottom plan view thereof.

**1 Claim, 6 Drawing Sheets**





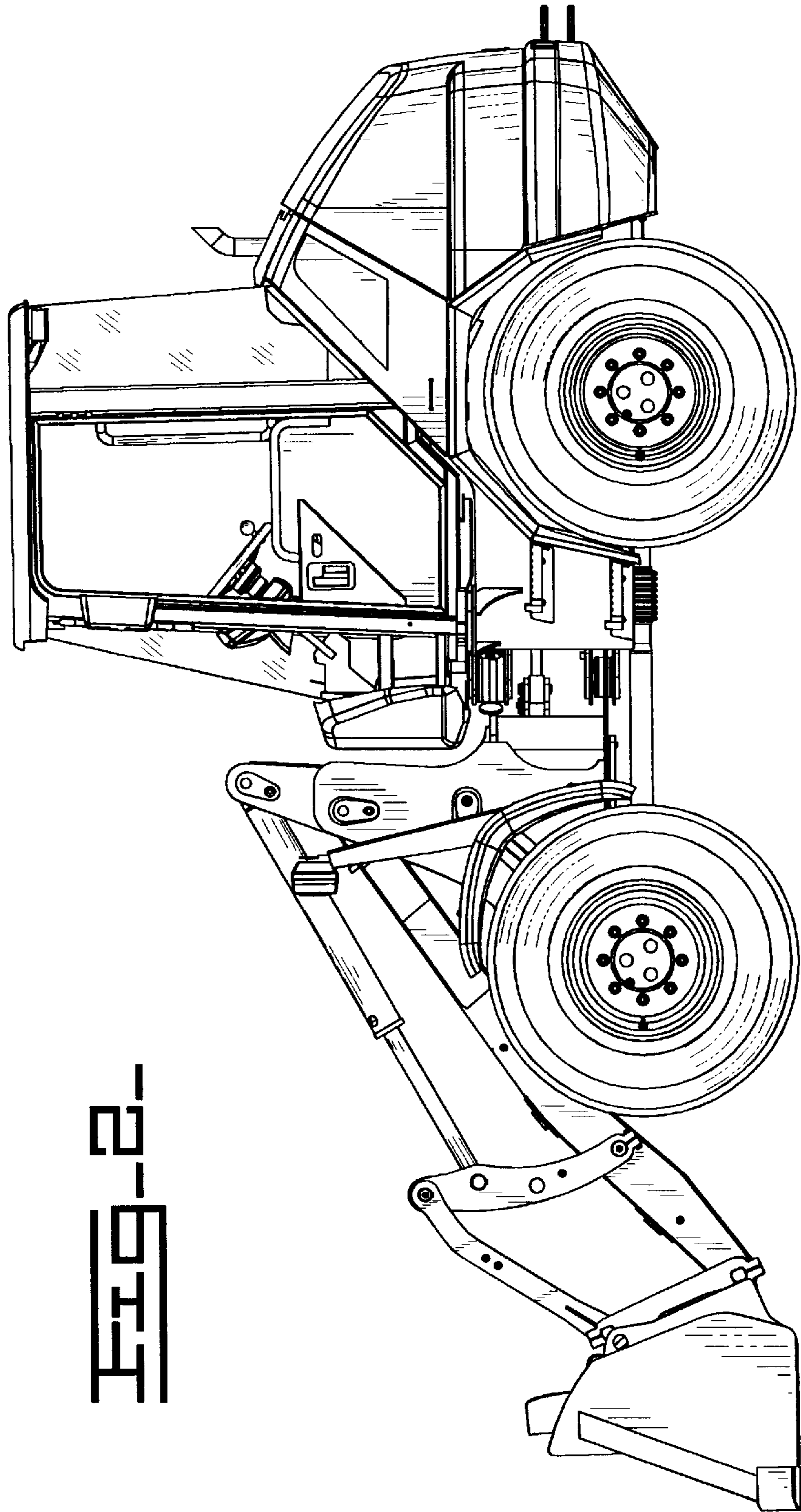
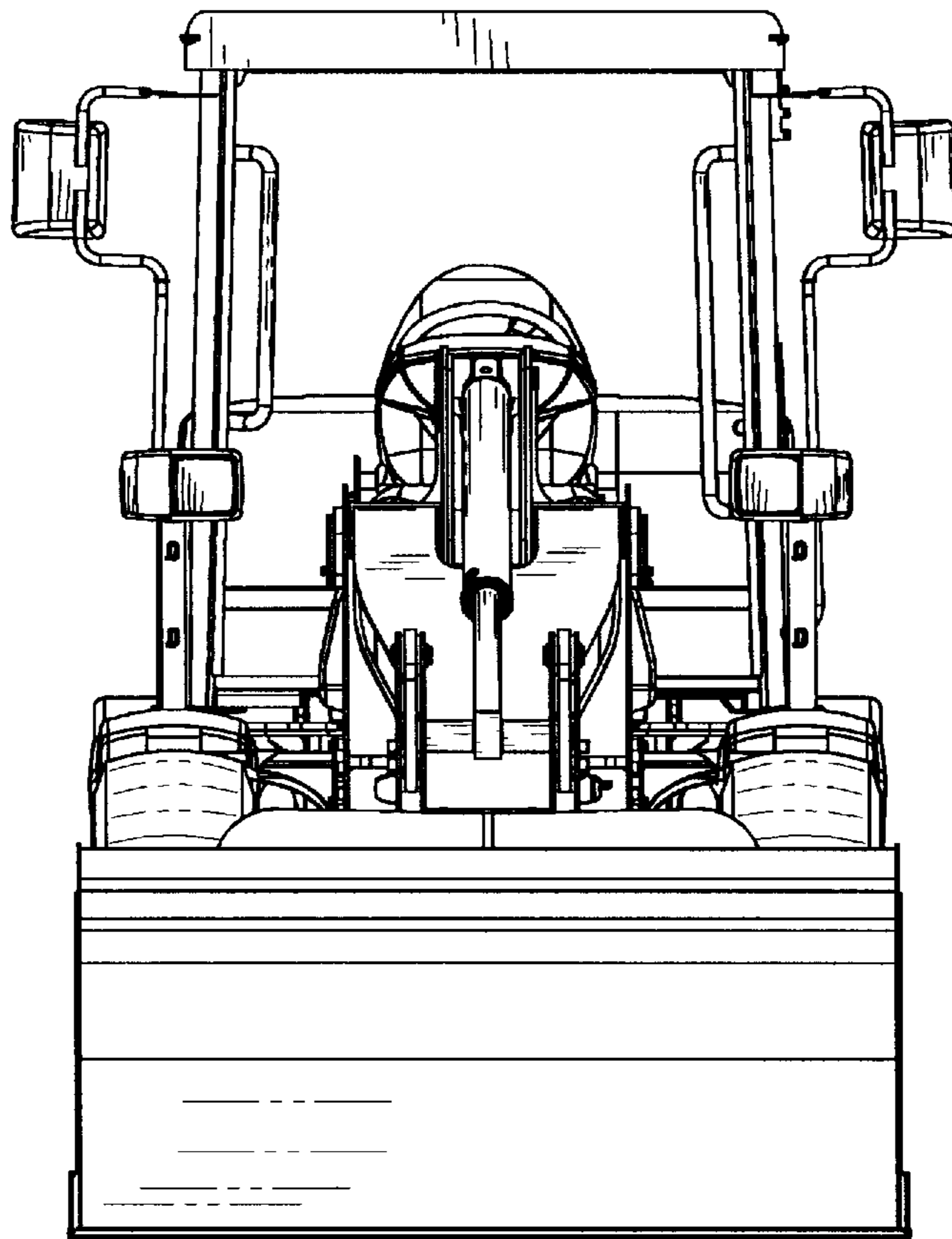
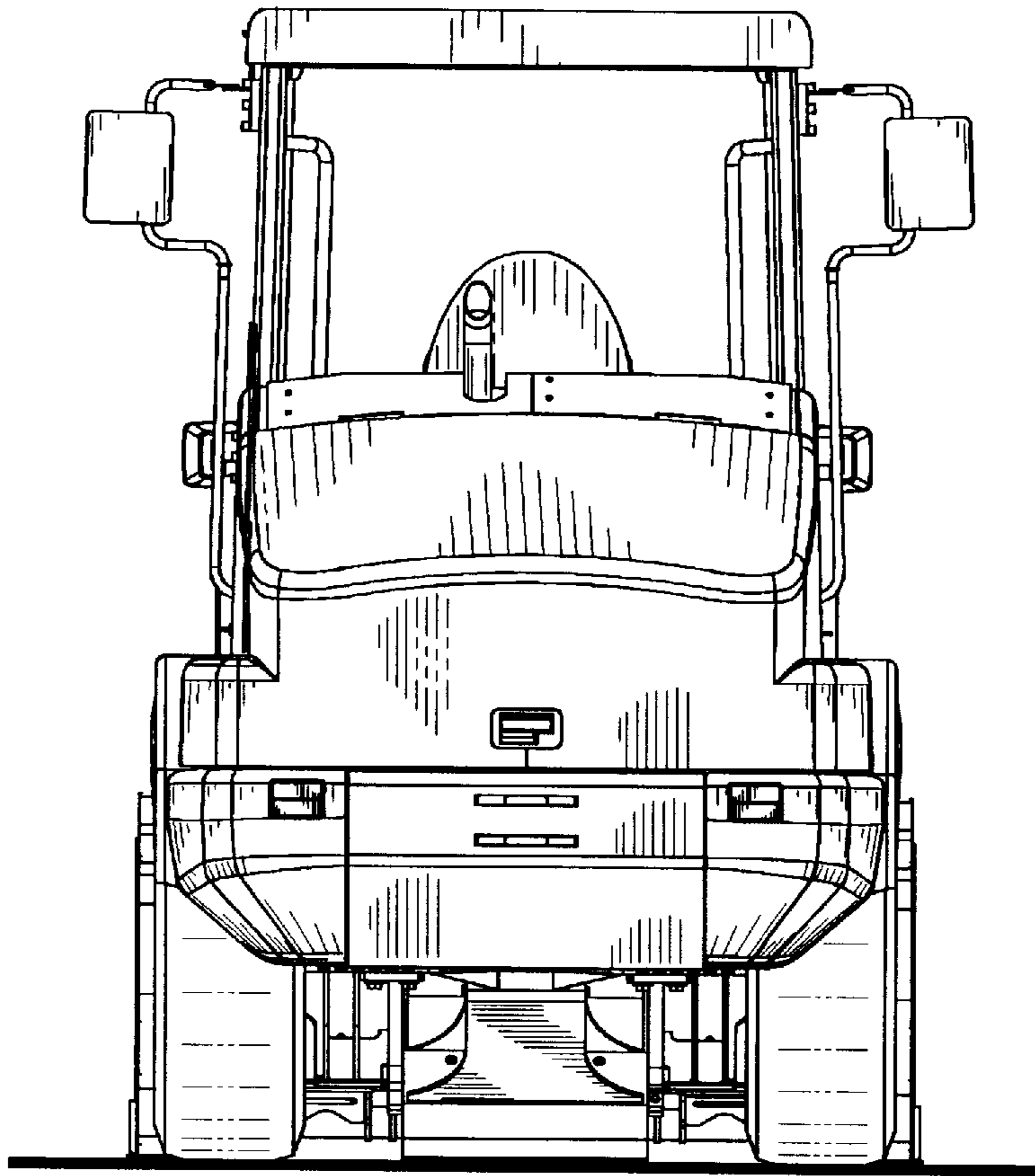


FIG. 2

FIG. 3.



**FIG. 4.**



5-10-11

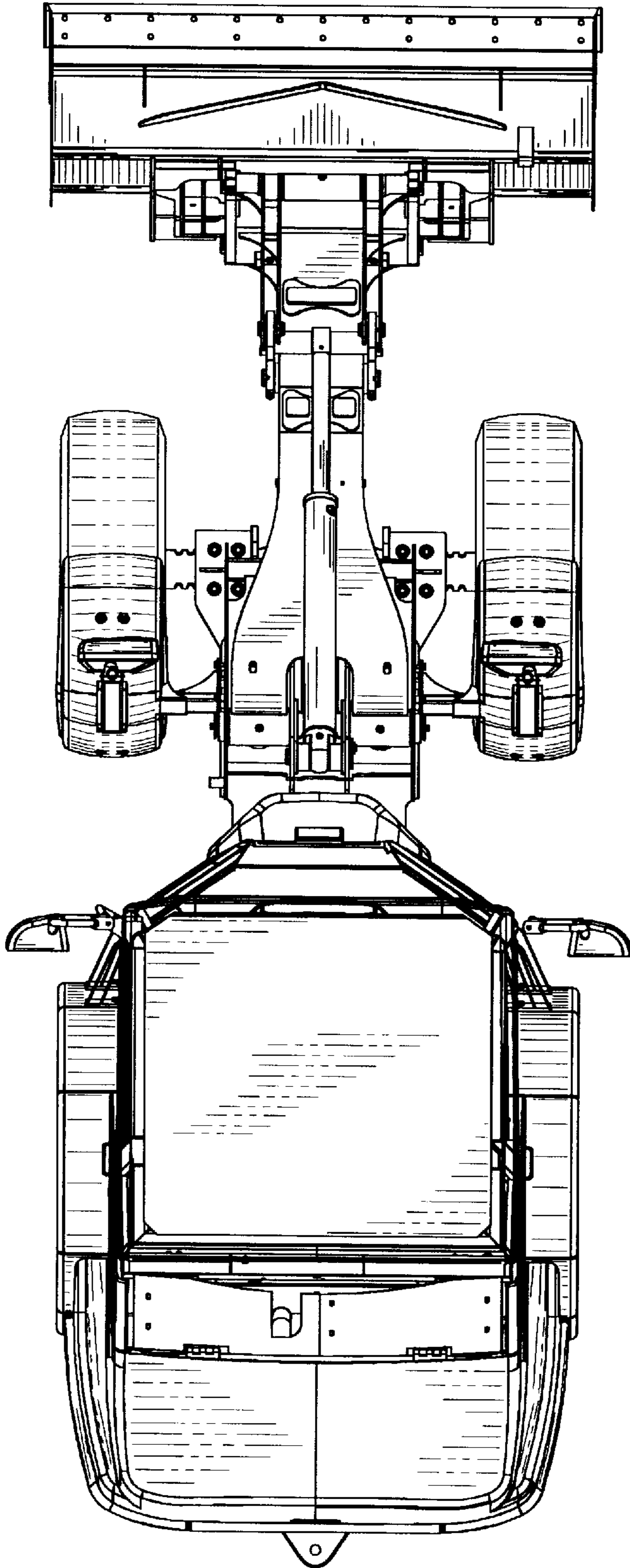


FIG. 6

