



US00D405805S

United States Patent [19] Rock

[11] **Patent Number: Des. 405,805**

[45] **Date of Patent: **Feb. 16, 1999**

[54] **TOTAL INDOOR PUMPING SYSTEM**

D. 273,011 3/1984 Dudley D15/9
D. 391,579 3/1998 Myers D15/7

[76] Inventor: **Kraig A. Rock**, 1320 Avalon Dr.,
Lawrenceville, Ga. 30244

Primary Examiner—Ralf Seifert

[**] Term: **14 Years**

[57] **CLAIM**

[21] Appl. No.: **86,814**

The ornamental design for a total indoor pumping system, as shown and described.

[22] Filed: **Apr. 20, 1998**

DESCRIPTION

[51] **LOC (6) Cl.** **15-02**

[52] **U.S. Cl.** **D15/7**

[58] **Field of Search** D15/7-9.1; 417/226,
417/231, 234; 222/176, 178

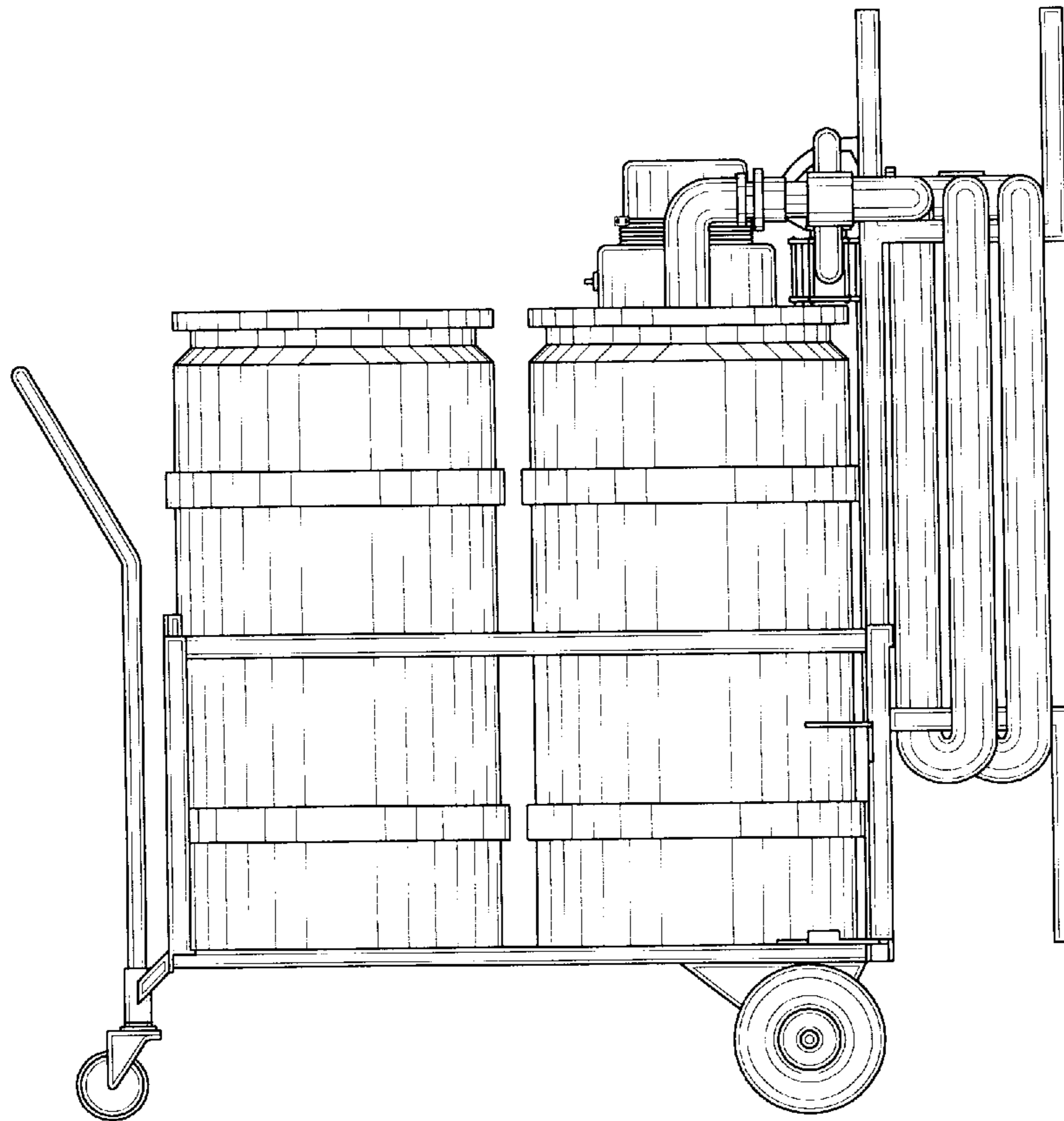
FIG. 1 is a front elevational view of the total indoor pumping system showing my new design;
FIG. 2 is a rear elevational view thereof;
FIG. 3 is a right side view thereof;
FIG. 4 is a left side view thereof;
FIG. 5 is a top plan view thereof; and,
FIG. 6 is a bottom plan view thereof.

[56] **References Cited**

U.S. PATENT DOCUMENTS

D. 229,717 12/1973 Mixon D15/7
D. 258,436 3/1981 McGilberry D15/7

1 Claim, 3 Drawing Sheets



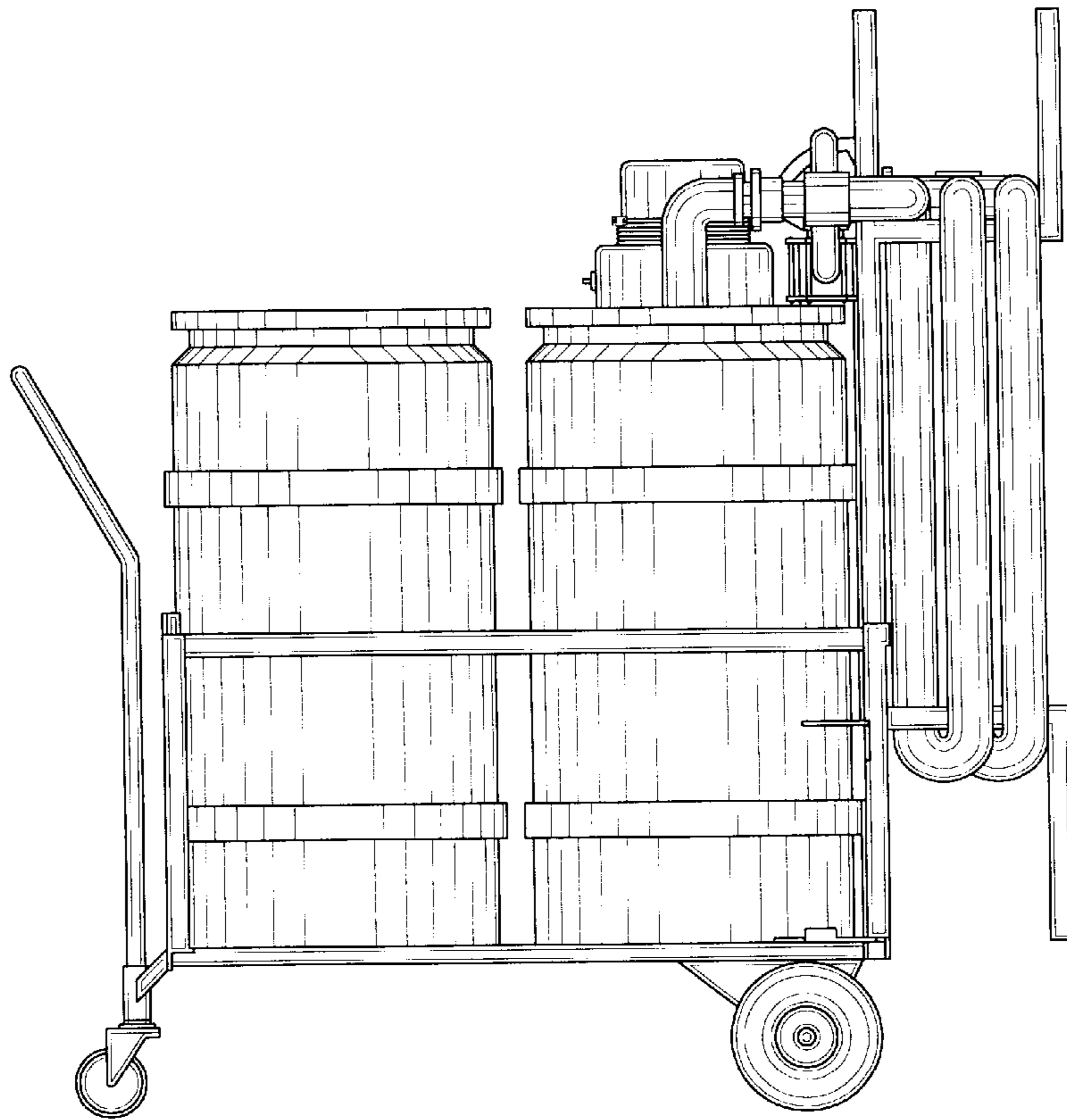


Fig. 1

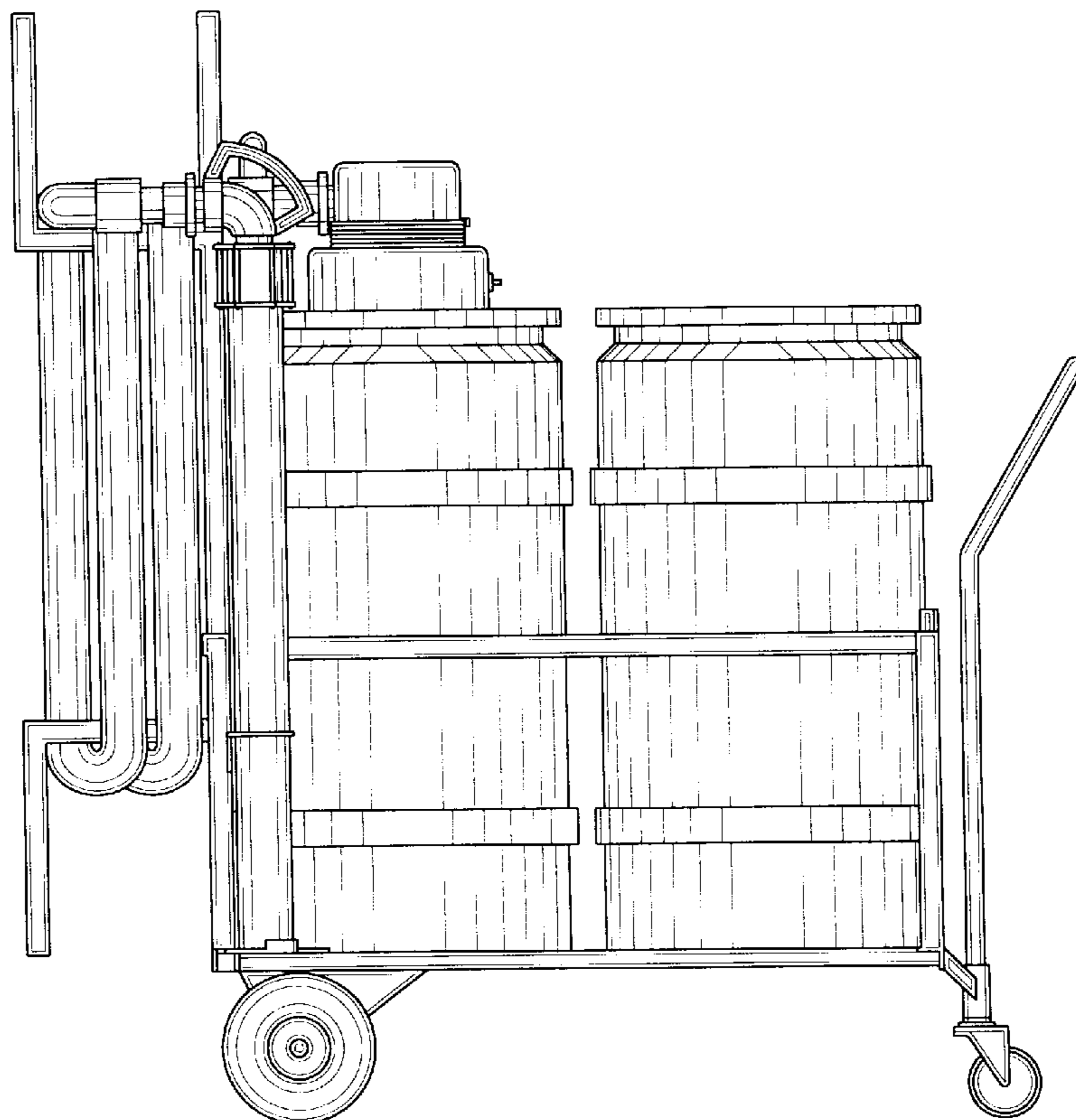


Fig. 2

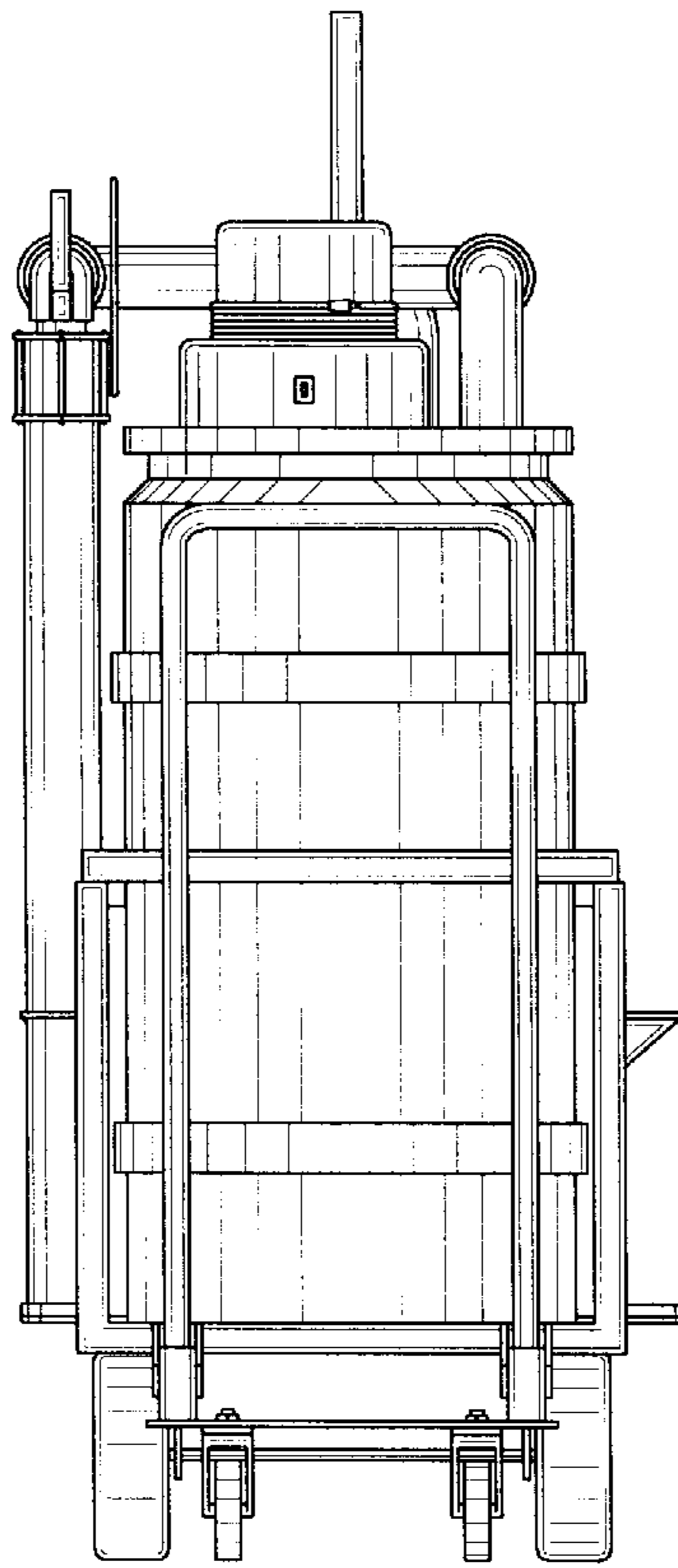


Fig. 3

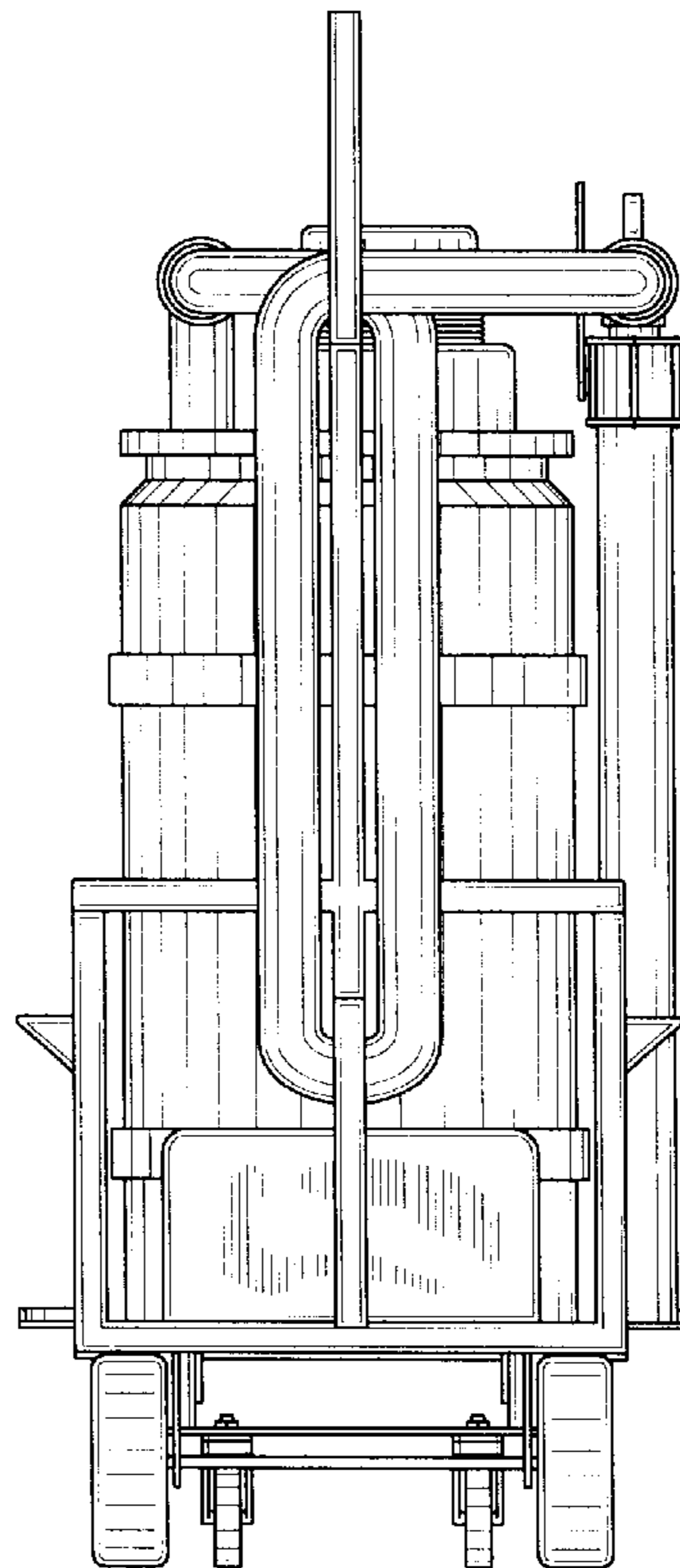


Fig. 4

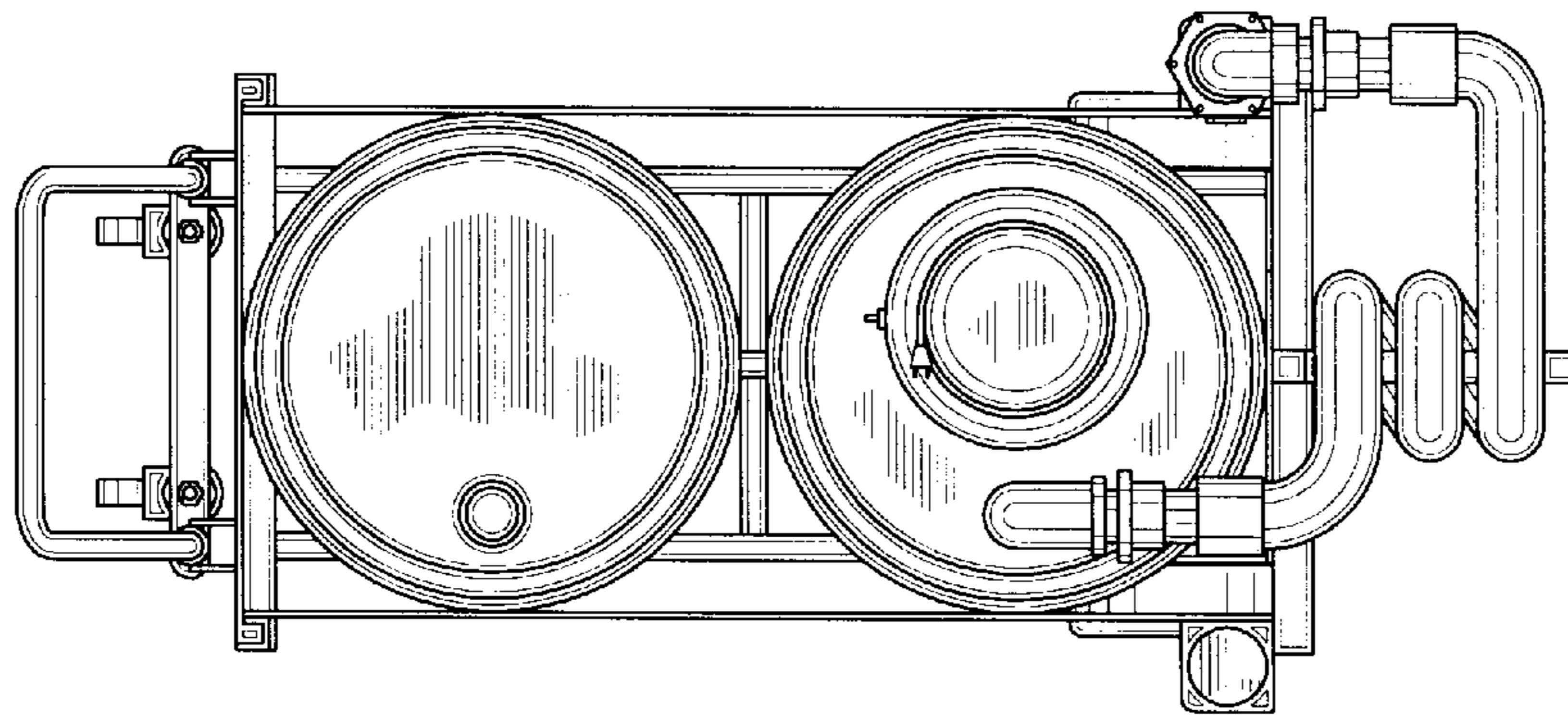


Fig. 5

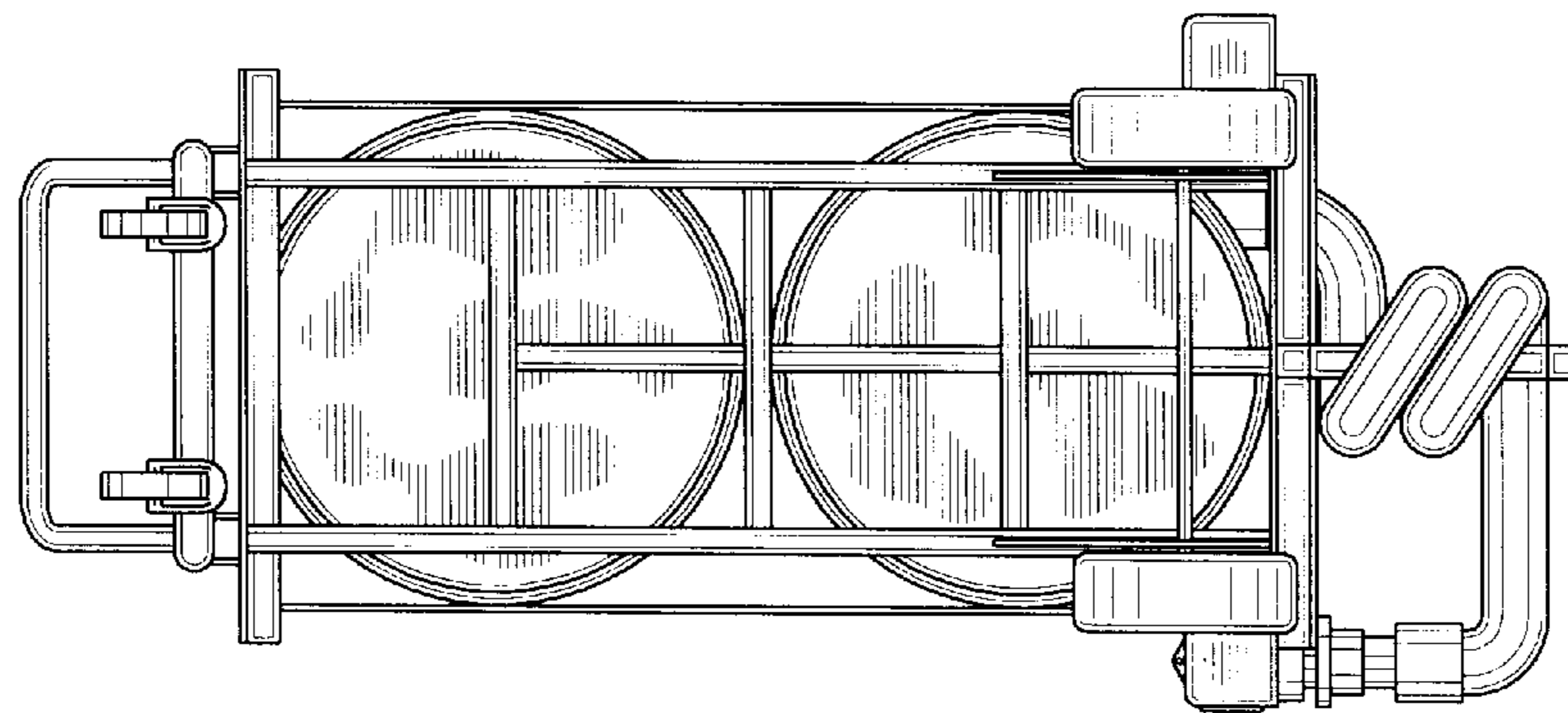


Fig. 6