



US00D405802S

United States Patent [19] Yukami

[11] **Patent Number: Des. 405,802**

[45] **Date of Patent: **Feb. 16, 1999**

[54] **ENGINE FOR A MODEL**

[75] Inventor: **Yoshihiro Yukami**, Osaka, Japan

[73] Assignee: **O.S. Engines Mfg. Co., Ltd.**, Osaka, Japan

[**] Term: **14 Years**

[21] Appl. No.: **78,956**

[22] Filed: **Sep. 30, 1997**

[30] **Foreign Application Priority Data**

Sep. 9, 1997 [JP] Japan 9-67296

[51] **LOC (6) Cl.** **15-01**

[52] **U.S. Cl.** **D15/1**

[58] **Field of Search** D15/1, 3; 244/53 R, 244/61; 123/179.27

[56] **References Cited**

U.S. PATENT DOCUMENTS

D. 152,706 2/1949 Leja D15/1

D. 214,539 6/1969 Fullerton D15/1

D. 332,611 1/1993 Tikhonenko D15/1

Primary Examiner—Ralf Seifert

Attorney, Agent, or Firm—Wenderoth, Lind & Ponack, L.L.P.

[57] **CLAIM**

The ornamental design for an engine for a model, as shown and described.

DESCRIPTION

FIG. 1 is a plan view of an engine for a model in accordance with the present design;

FIG. 2 is a front view thereof;

FIG. 3 is a right side view thereof;

FIG. 4 is a bottom view thereof;

FIG. 5 is a rear view thereof;

FIG. 6 is a left side view thereof;

FIG. 7 is a perspective view thereof;

FIG. 8 is an enlarged sectional view taken along the line 8—8 of FIG. 3; and,

FIG. 9 is an enlarged sectional view taken along the line 9—9 of FIG. 2.

1 Claim, 4 Drawing Sheets

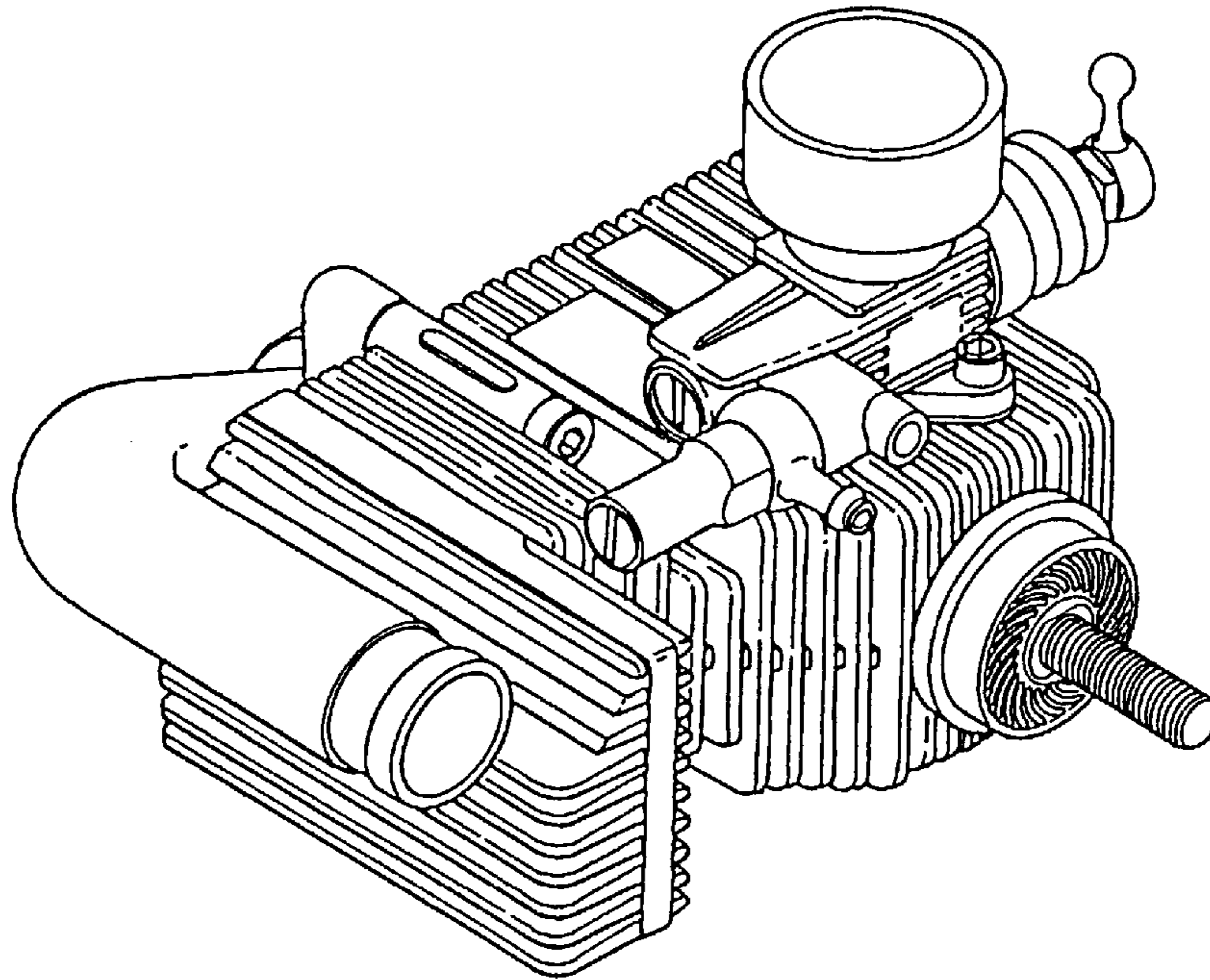


FIG. 1

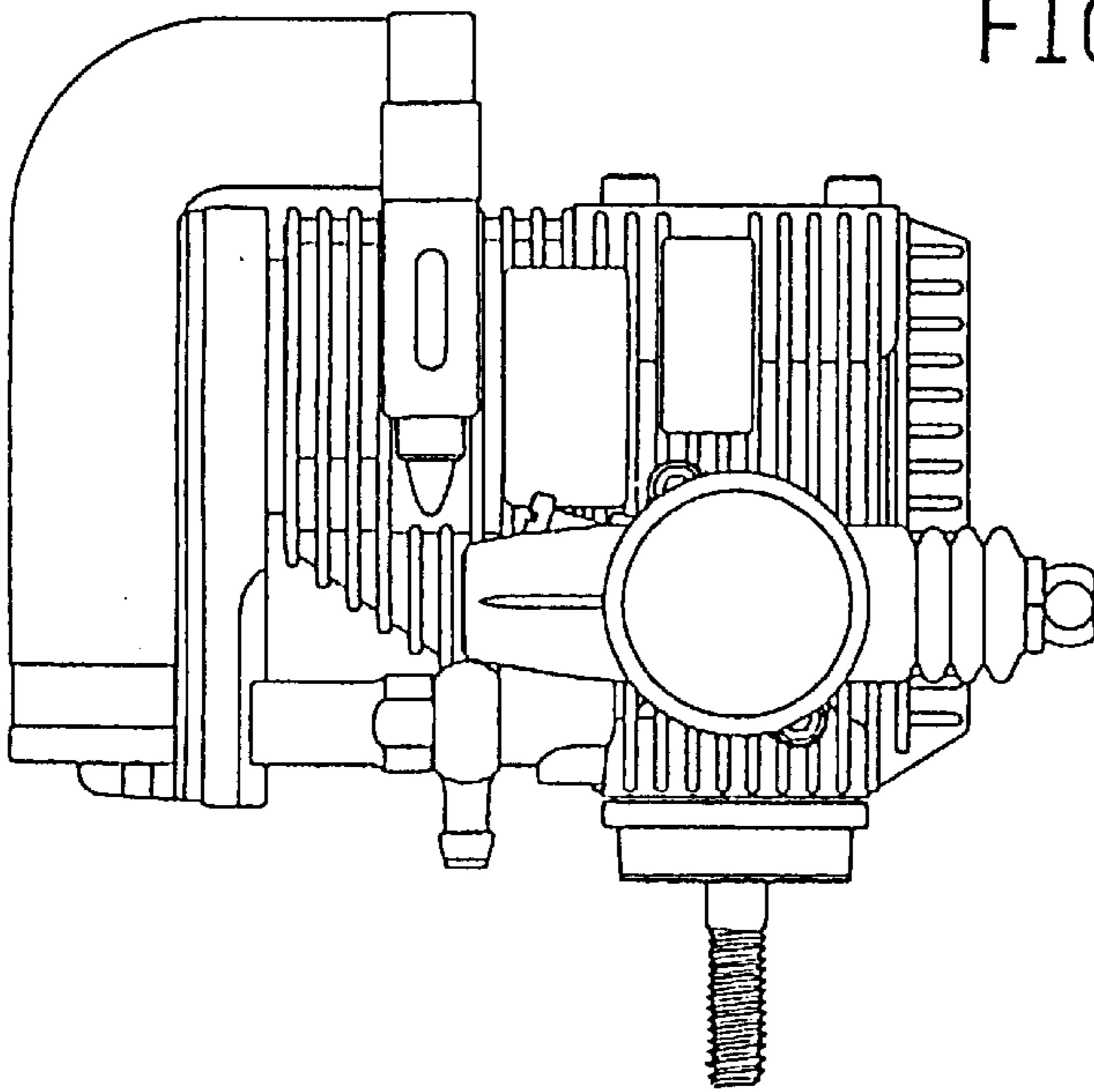


FIG. 2

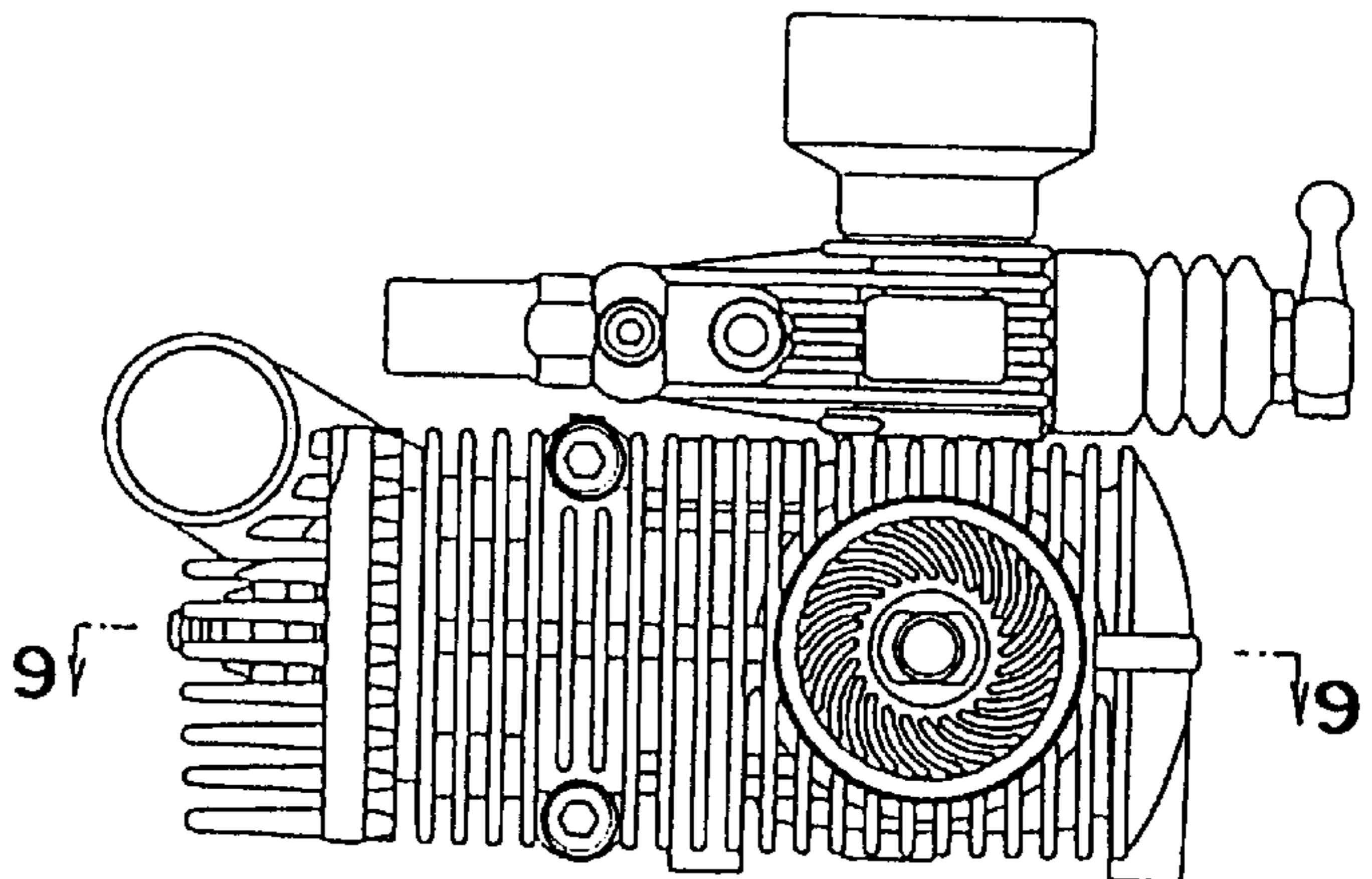


FIG. 3

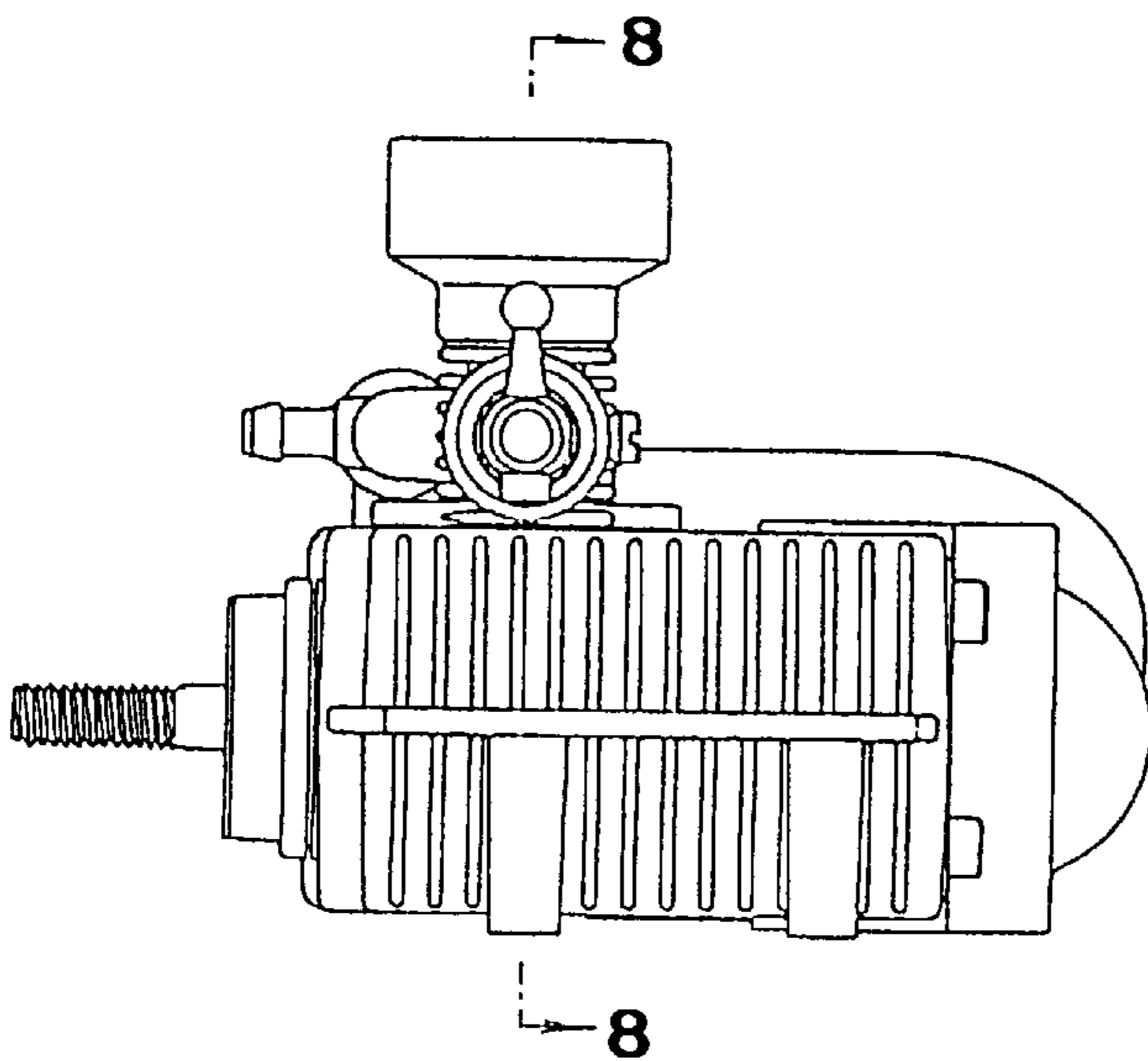


FIG. 4

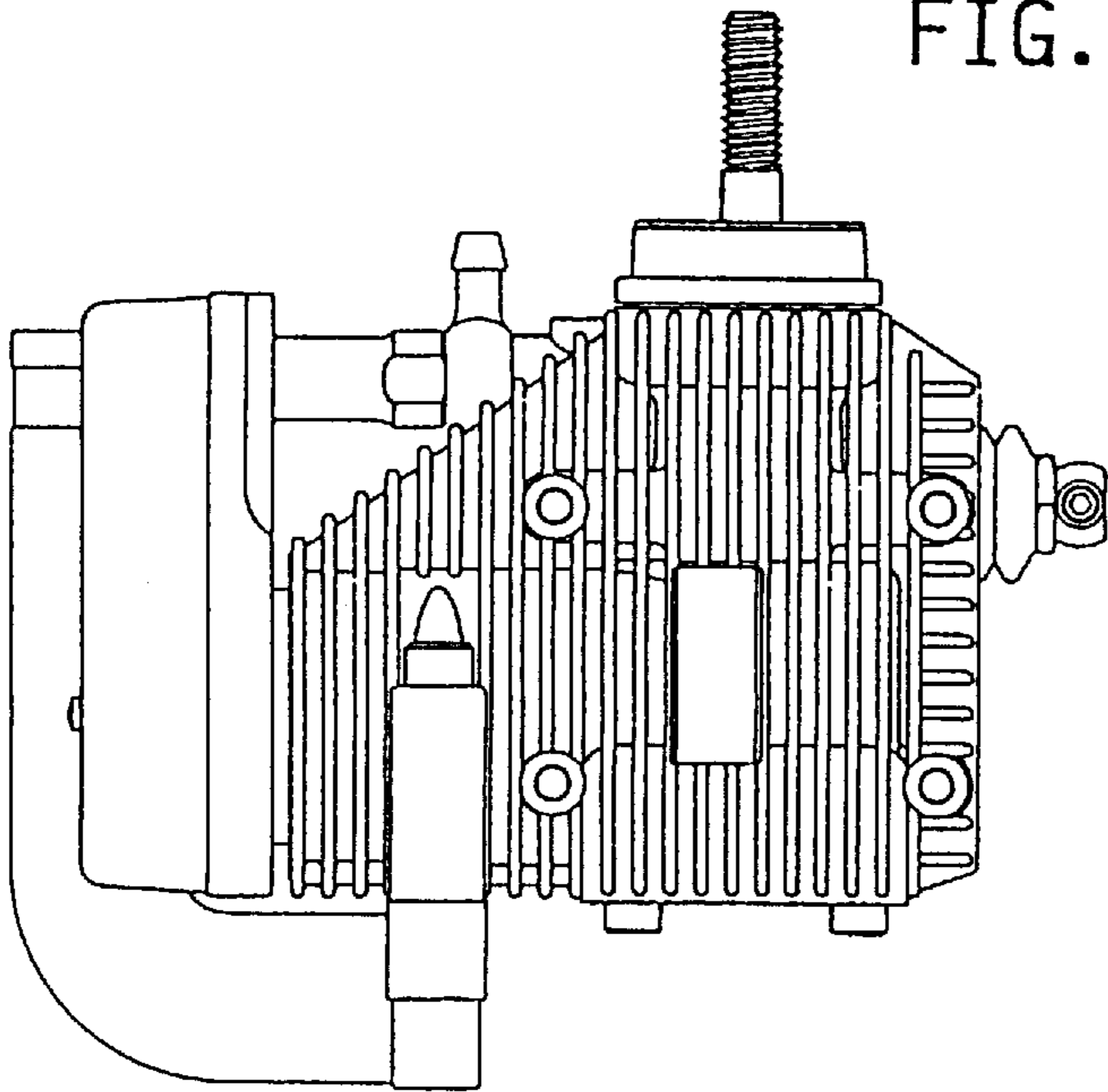


FIG. 5

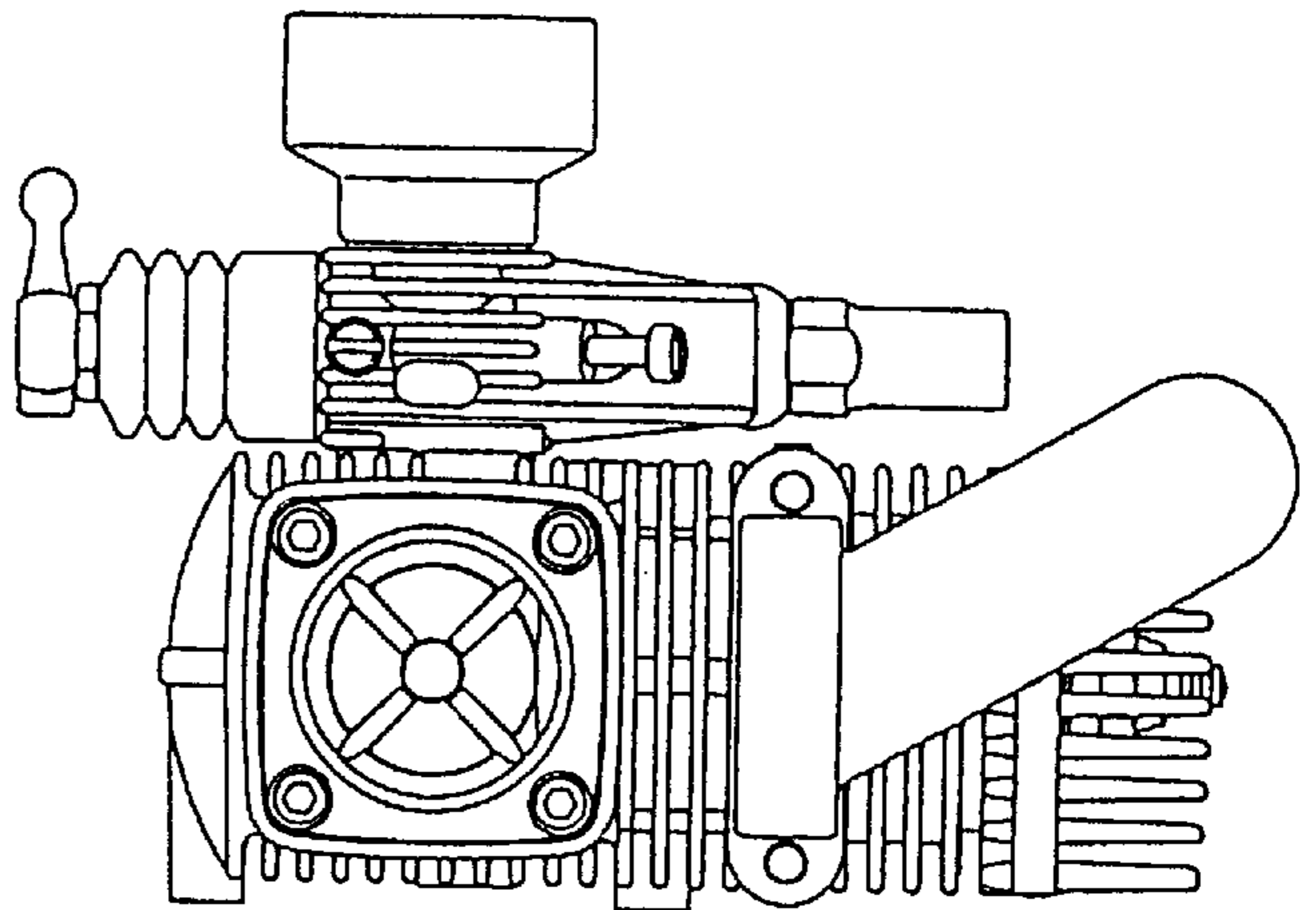


FIG. 6

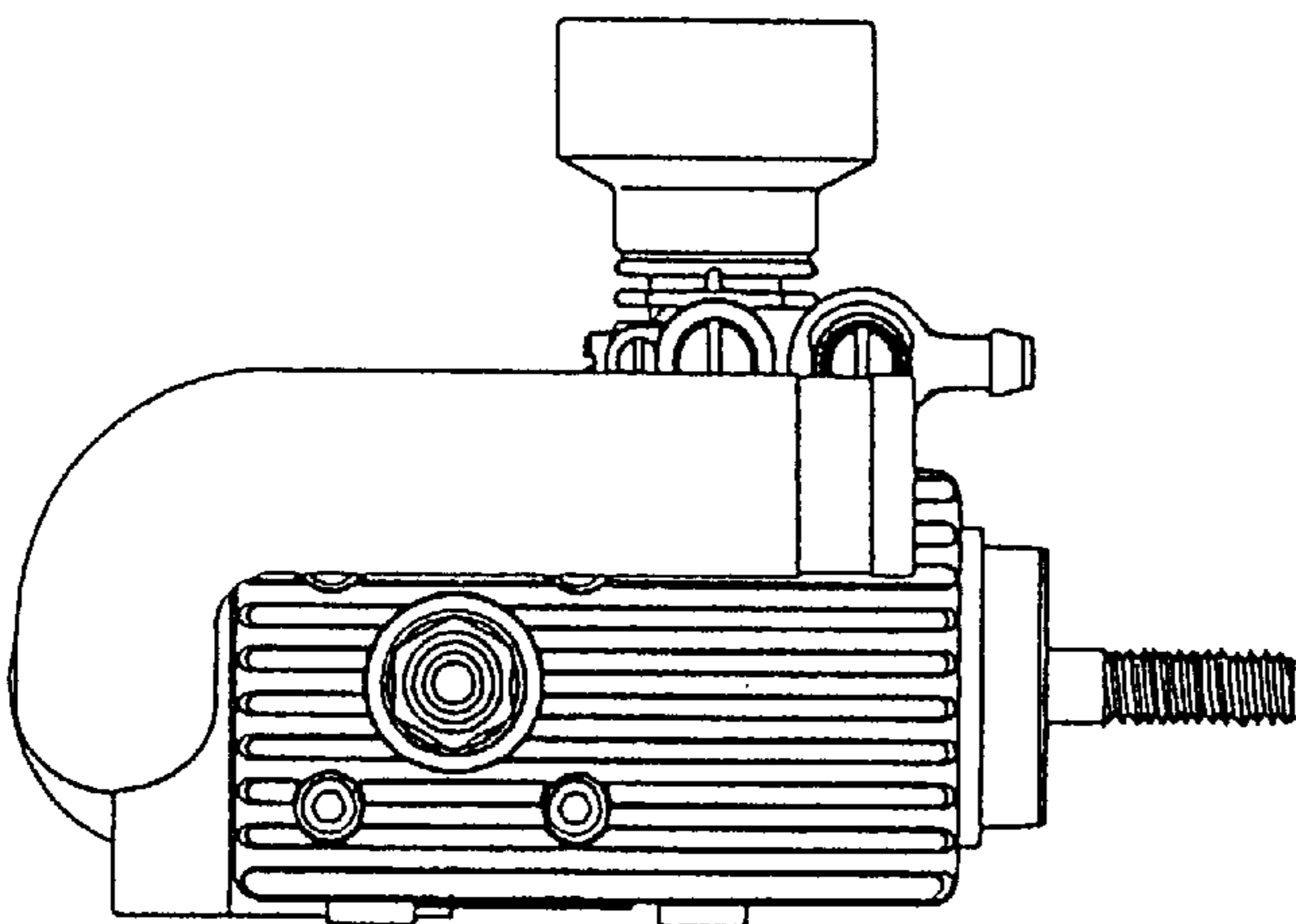


FIG. 7

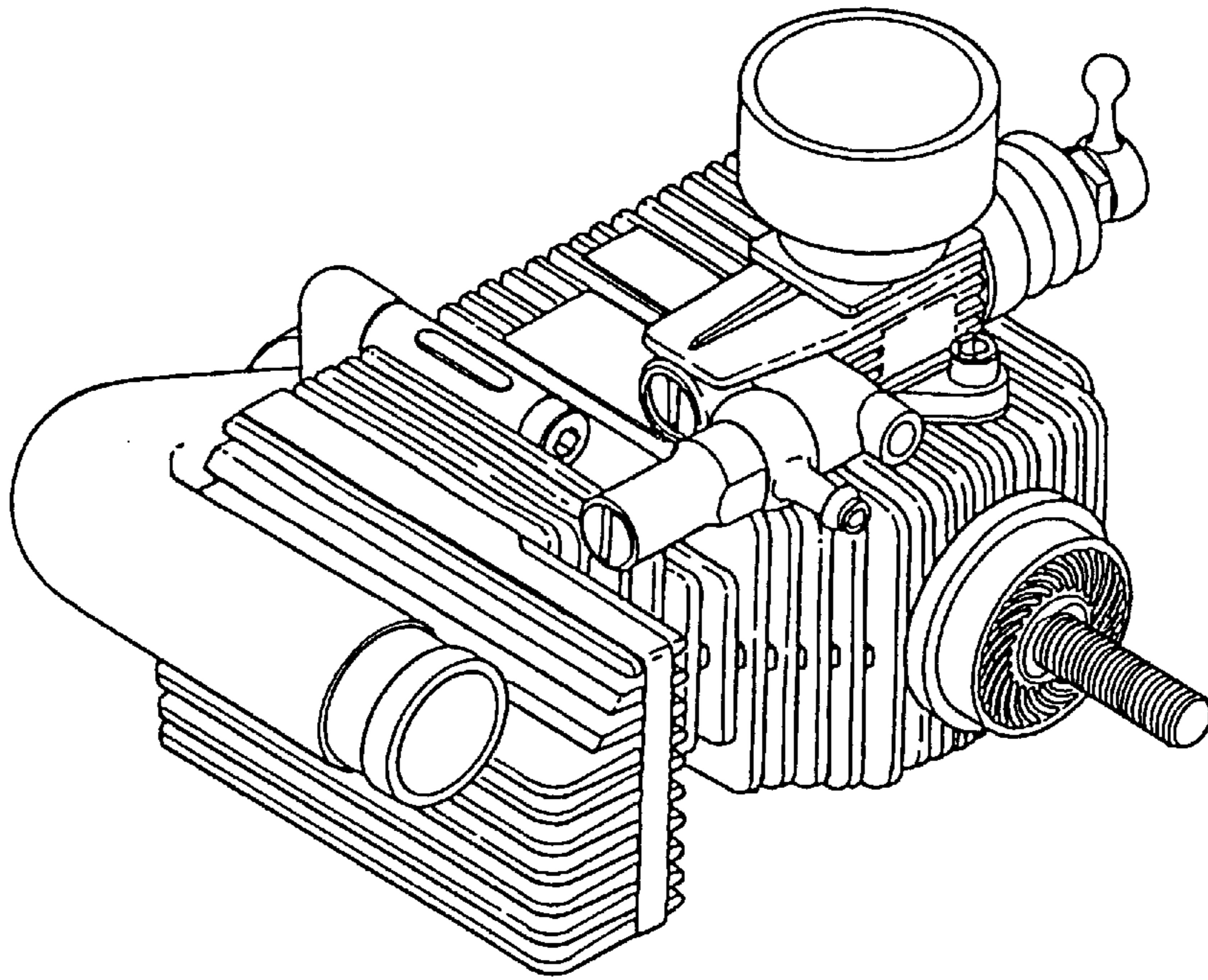


FIG. 8

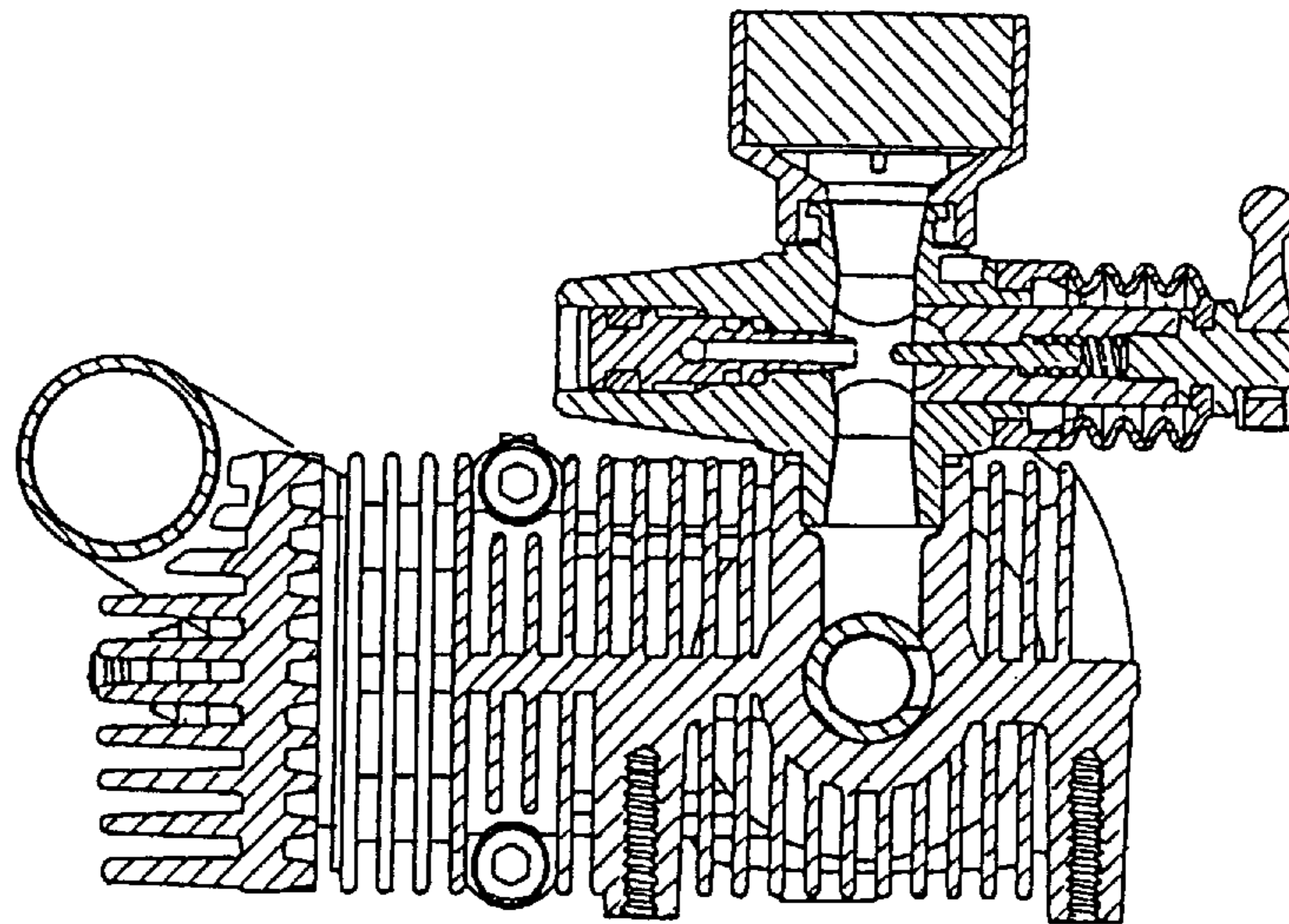


FIG. 9

