



US00D405801S

United States Patent [19]

Nagele et al.

[11] Patent Number: **Des. 405,801**

[45] Date of Patent: ****Feb. 16, 1999**

[54] **RECEPTACLE FOR A CORDLESS PORTABLE TELEPHONE HANDSET**

[75] Inventors: **Albert L. Nagele**, Wilmette; **Leonid Soren**, Lincolnwood; **James D. Palmer**, Deerfield; **Sang Y. Oh**, Palatine; **Louis J. Lundell**, Buffalo Grove, all of Ill.

[73] Assignee: **Motorola, Inc.**, Schaumburg, Ill.

[**] Term: **14 Years**

[21] Appl. No.: **68,948**

[22] Filed: **Feb. 18, 1997**

Related U.S. Application Data

[63] Continuation-in-part of Ser. No. 44,913, Oct. 3, 1995, abandoned.

[51] **LOC (6) Cl.** **14-03**

[52] **U.S. Cl.** **D14/253**

[58] **Field of Search** D14/140, 142, D14/240, 149, 251-253, 114; 379/419, 420, 428, 440, 433-436, 454, 455, 446; D13/107, 108; 455/90

[56] References Cited

U.S. PATENT DOCUMENTS

- D. 268,342 3/1983 Genaro et al. D14/52
- D. 313,221 12/1990 Skully et al. D28/48

- D. 343,841 2/1994 Hon et al. D14/251
- D. 346,786 5/1994 Nagele et al. D13/108
- D. 350,112 8/1994 Lin D13/108
- D. 363,284 10/1995 Solomita D14/149
- D. 365,824 1/1996 Danielson et al. D14/253
- D. 367,065 2/1996 Wu D14/253
- D. 369,606 5/1996 Marks D14/218
- D. 378,911 4/1997 Nagele et al. D13/108
- D. 383,759 9/1997 Nagele et al. D14/253
- D. 388,434 12/1997 Lepack D14/149
- 5,463,688 10/1995 Wijas 379/446
- 5,479,486 12/1995 Saji 379/61
- 5,519,777 5/1996 Kurgan et al. 379/446
- 5,748,727 5/1998 Lundell et al. 379/455 X

Primary Examiner—Jeffrey Asch
Attorney, Agent, or Firm—John G. Rauch

[57] CLAIM

The ornamental design for a receptacle for a cordless portable telephone handset, as shown and described.

DESCRIPTION

FIG. 1 is a top, left, front perspective view of a receptacle for a cordless portable telephone handset showing our new design;

FIG. 2 is a bottom plan view thereof;

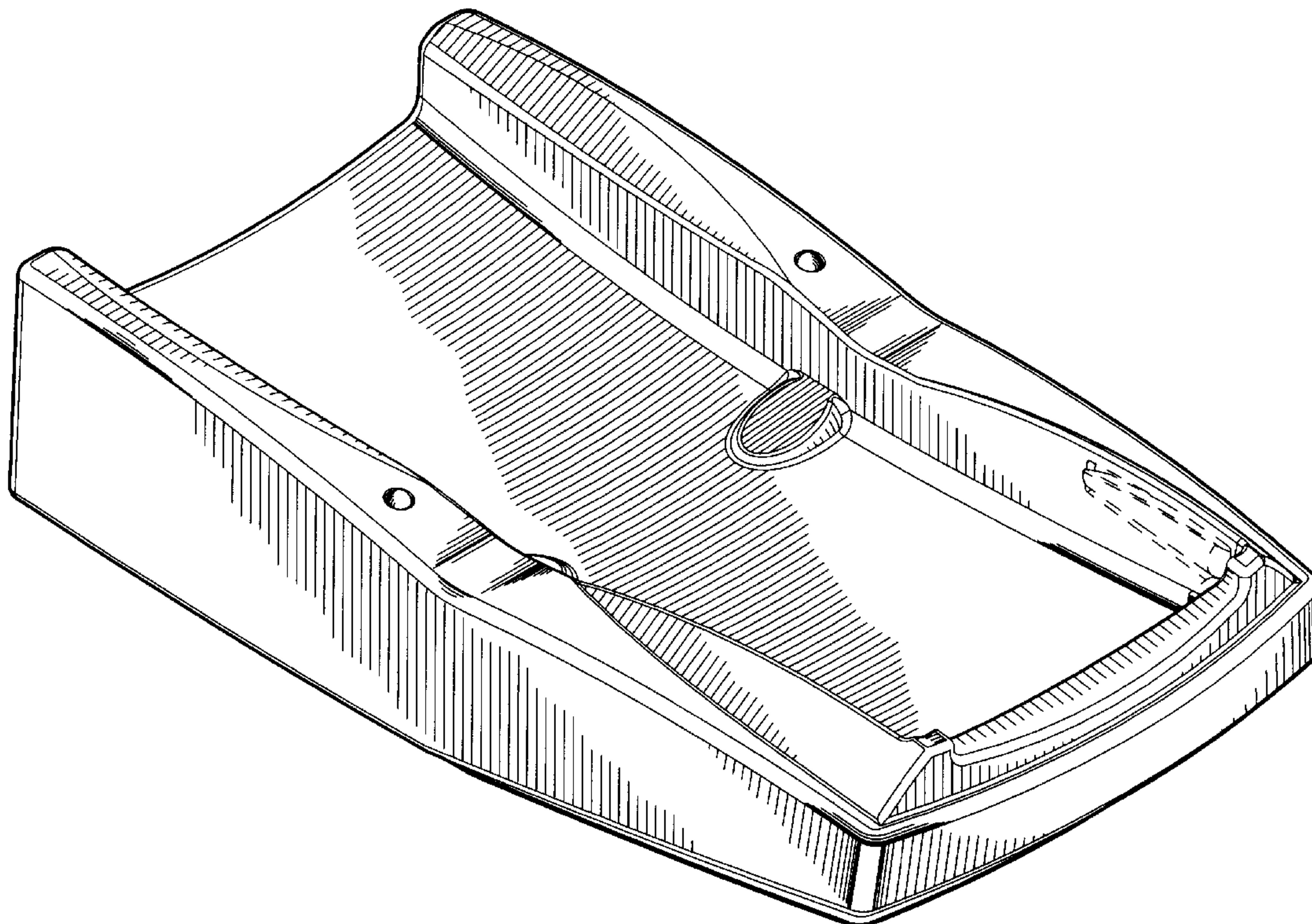
FIG. 3 is a rear elevational view thereof;

FIG. 4 is a right elevational view thereof; and,

FIG. 5 is a top elevational view thereof.

The broken lines shown in FIGS. 1-5 are for illustrative purposes only and form no part of the claimed designed.

1 Claim, 3 Drawing Sheets



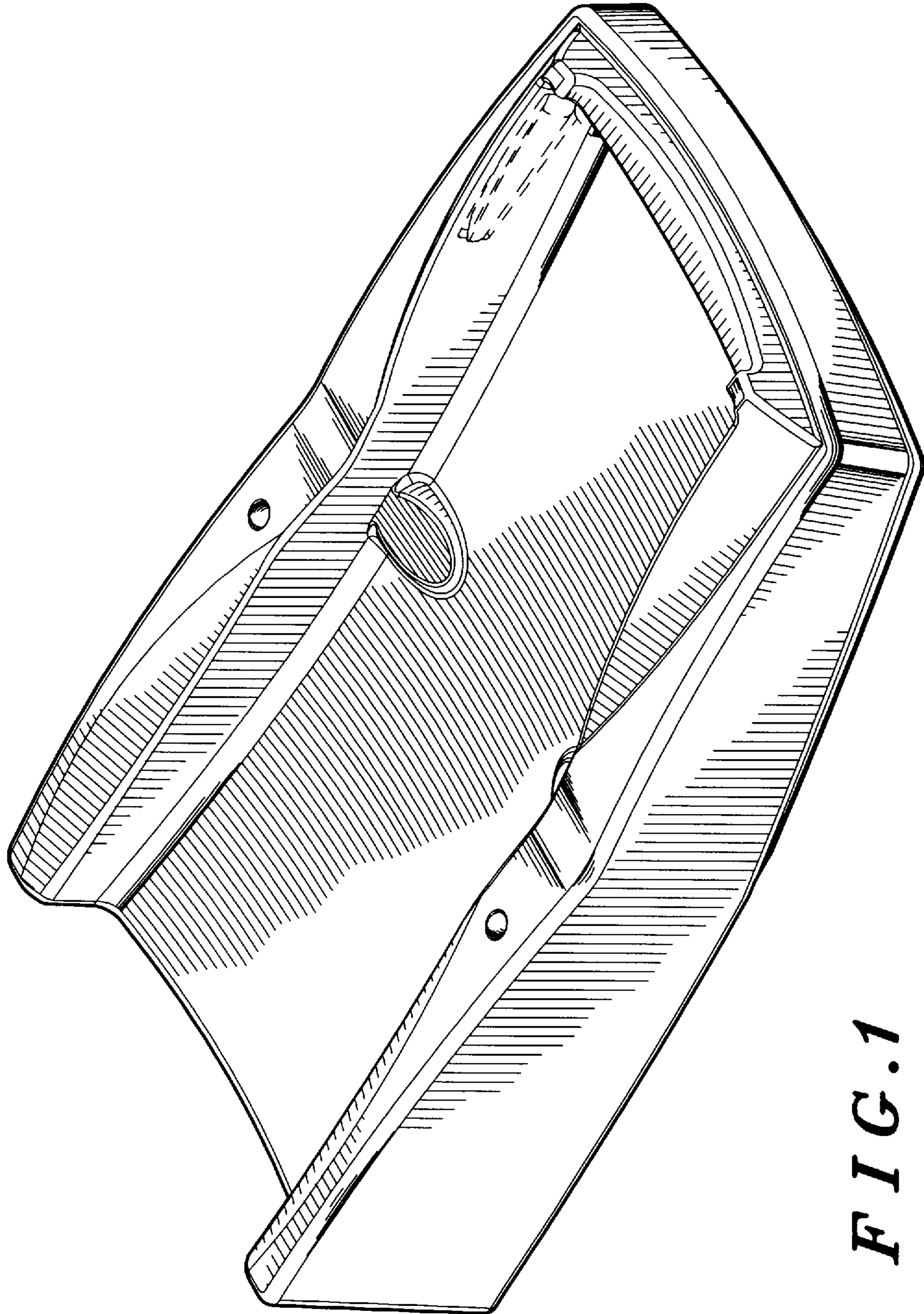


FIG. 1

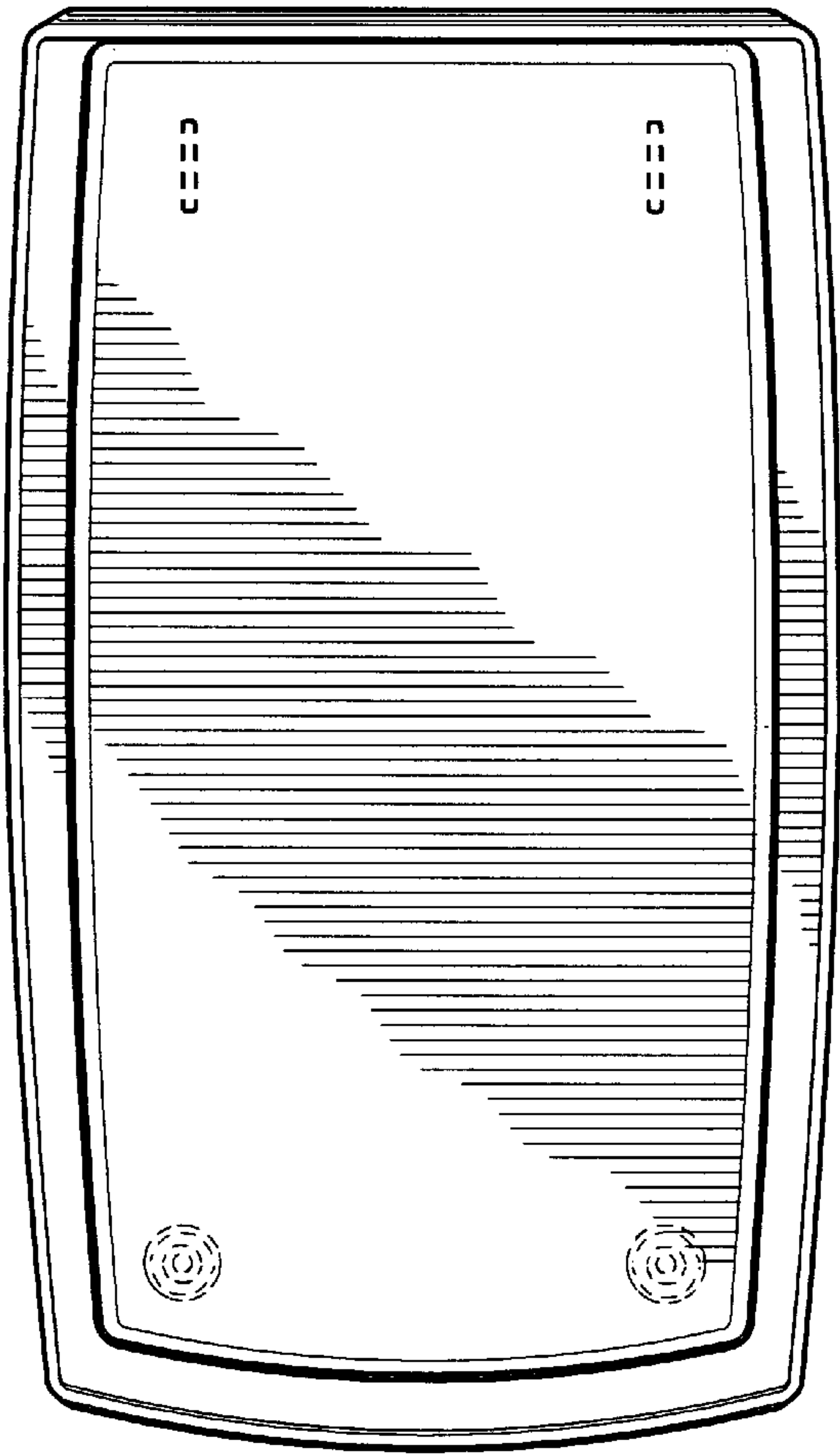


FIG. 2

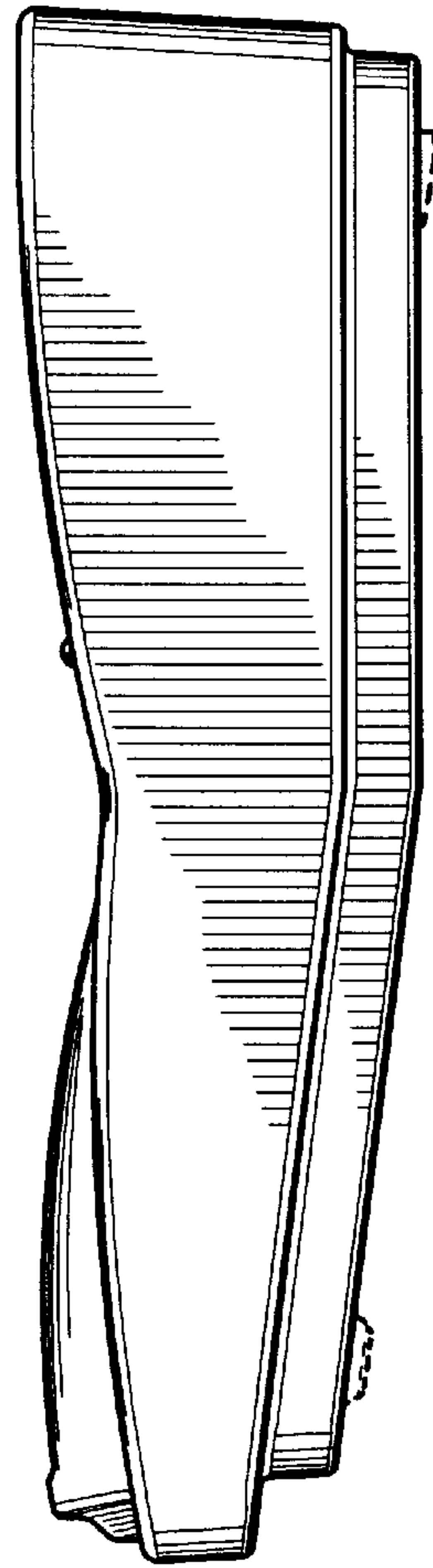


FIG. 4

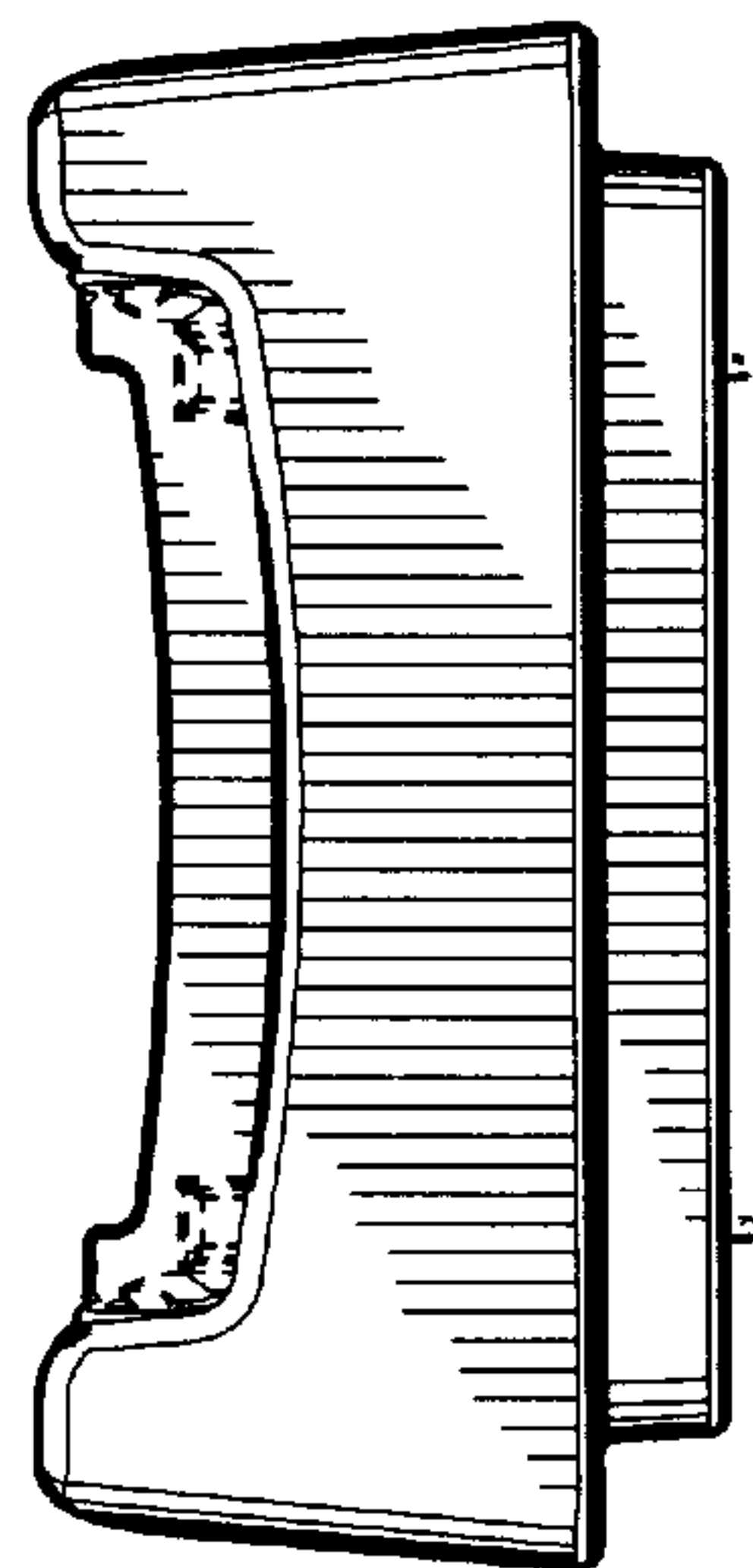


FIG. 3

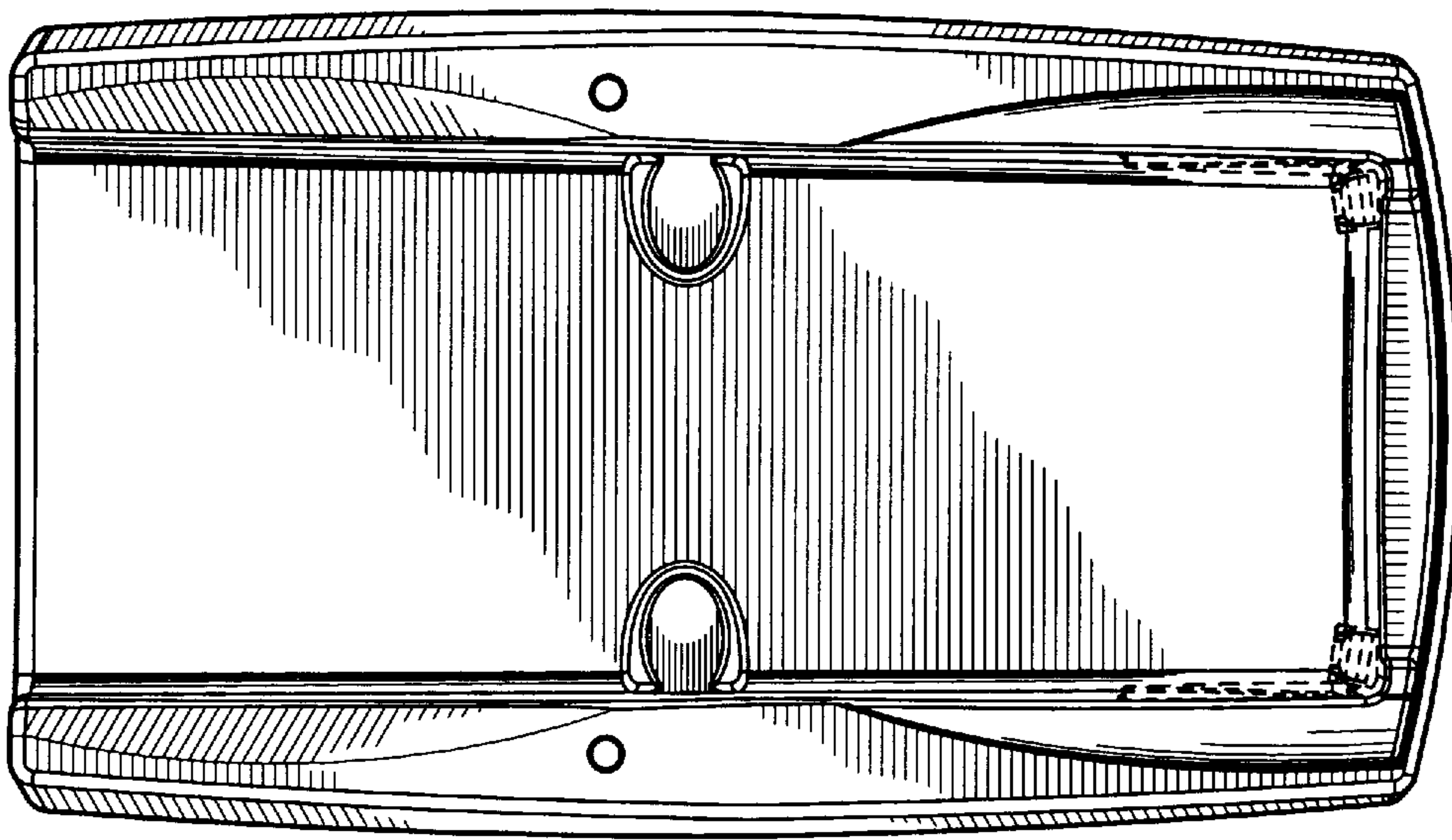


FIG. 5