



US00D405800S

United States Patent [19] Brown

[11] **Patent Number: Des. 405,800**

[45] **Date of Patent: **Feb. 16, 1999**

[54] **MOBILE CELLULAR PHONE ANTENNA COVER**

5,335,366 8/1994 Daniels 455/90 X
5,550,552 8/1996 Oxley 343/702

[76] Inventor: **Peter G. Brown**, 236 Charles st.,
Waltham, Mass. 02154

[**] Term: **14 Years**

[21] Appl. No.: **74,837**

[22] Filed: **Aug. 8, 1997**

[51] **LOC (6) Cl. 14-03**

[52] **U.S. Cl. D14/250; D3/218; D14/230**

[58] **Field of Search** D14/230, 238,
D14/240, 140, 250; D3/218; 379/419, 420,
428, 440, 433, 437, 439, 447, 451, 452;
343/702, 841; D6/610; 455/90, 556, 550,
575; 224/236, 240, 929

[56] **References Cited**

U.S. PATENT DOCUMENTS

D. 284,807 7/1986 Knight, Jr. D3/218
D. 369,603 5/1996 Tetrault D3/218
D. 369,607 5/1996 Macgivary et al. D14/250
D. 389,158 1/1998 Oross D14/250

FOREIGN PATENT DOCUMENTS

348 187 12/1989 European Pat. Off. D14/147

Primary Examiner—Jeffrey Asch
Attorney, Agent, or Firm—Mark P. White

[57] **CLAIM**

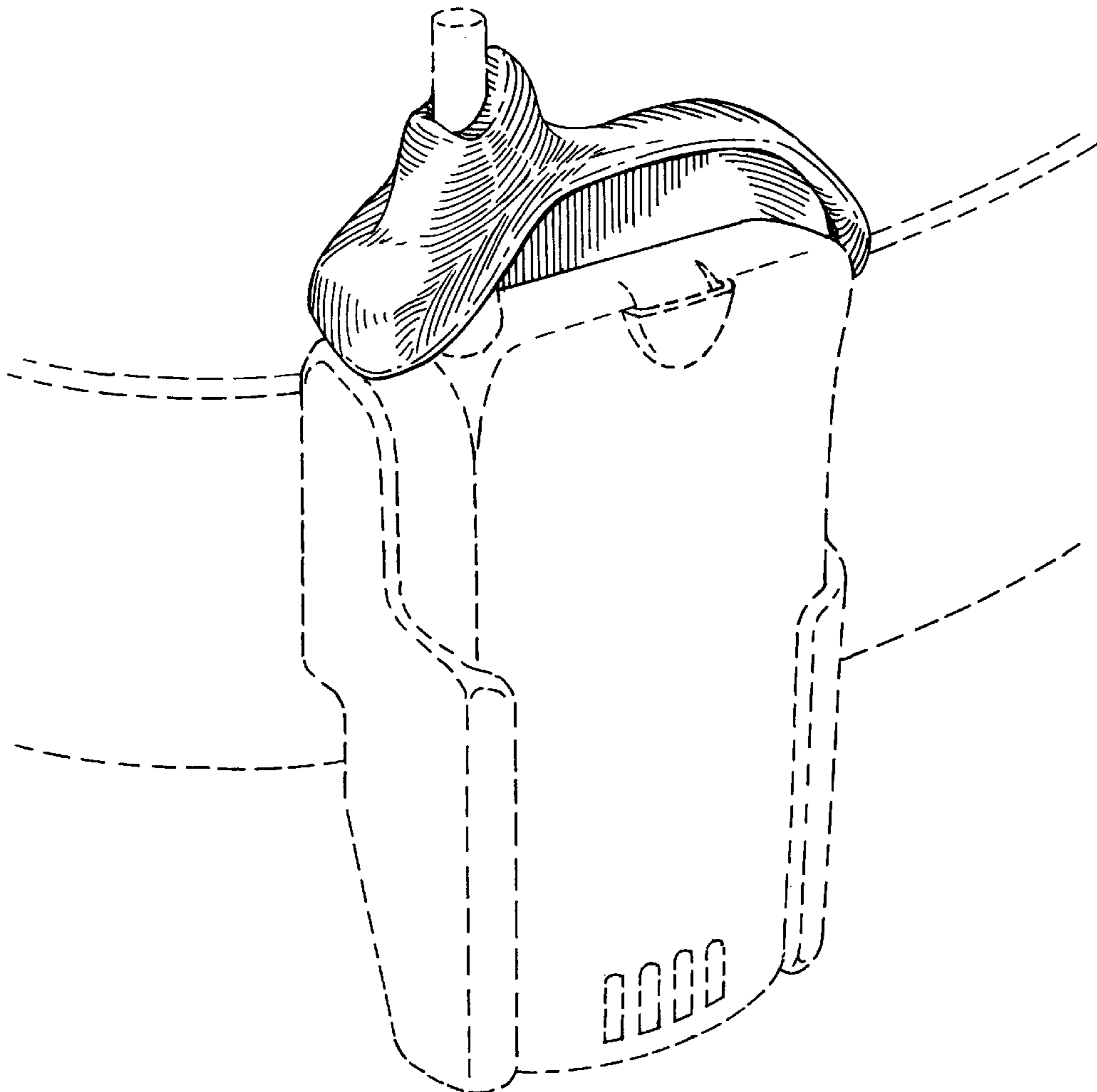
The ornamental design for a mobile cellular phone antenna cover, as shown and described.

DESCRIPTION

FIG. 1 is a perspective view of the mobile cellular phone antenna cover, showing my new design;
FIG. 2 is a front view;
FIG. 3 is a left side view;
FIG. 4 is a bottom view;
FIG. 5 is a rear view;
FIG. 6 is a right side view; and,
FIG. 7 is a top view.

The broken line showings of FIG. 1 are for illustrative purposes only and form no part of the claimed design.

1 Claim, 2 Drawing Sheets



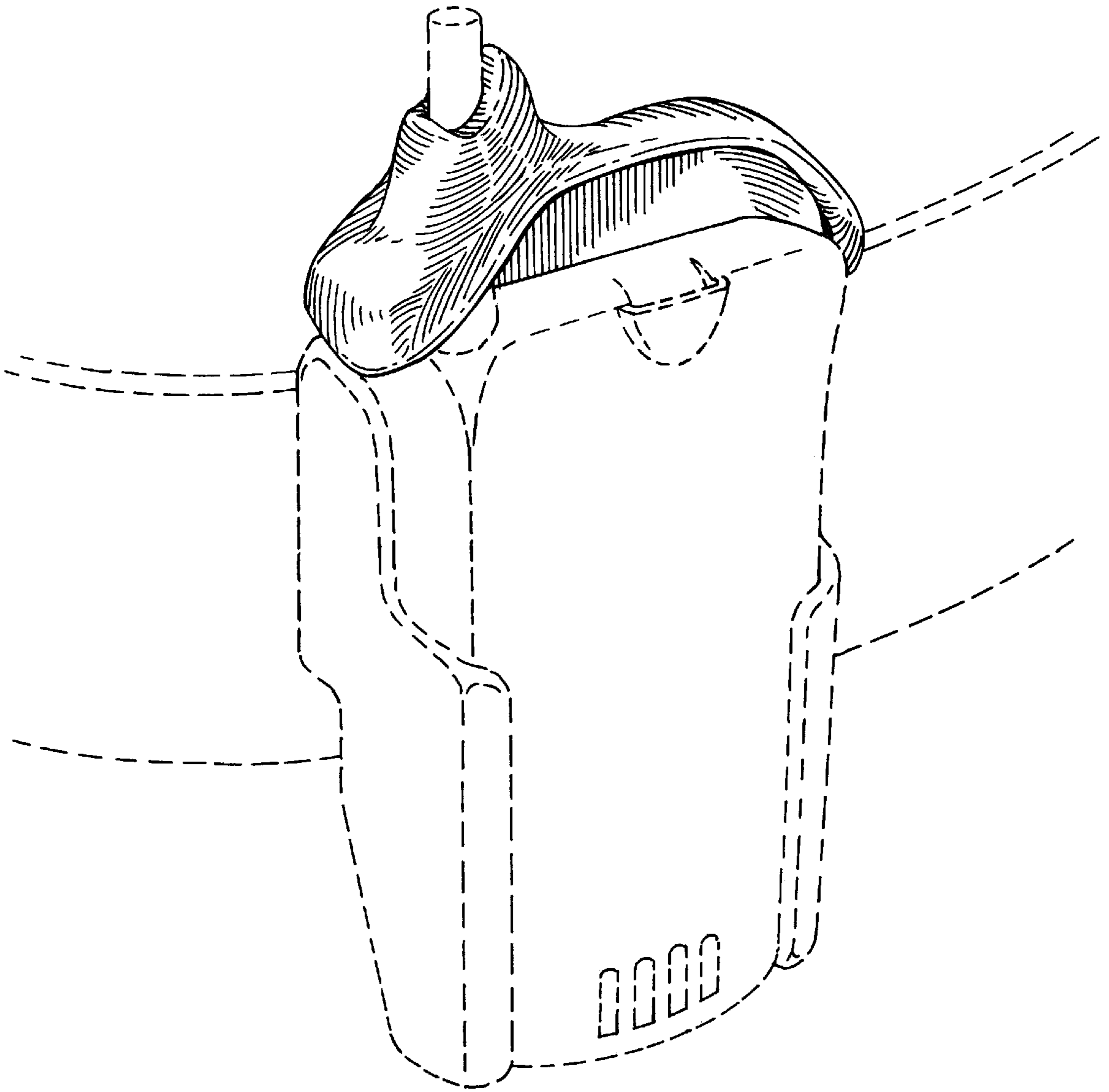


FIG. 1

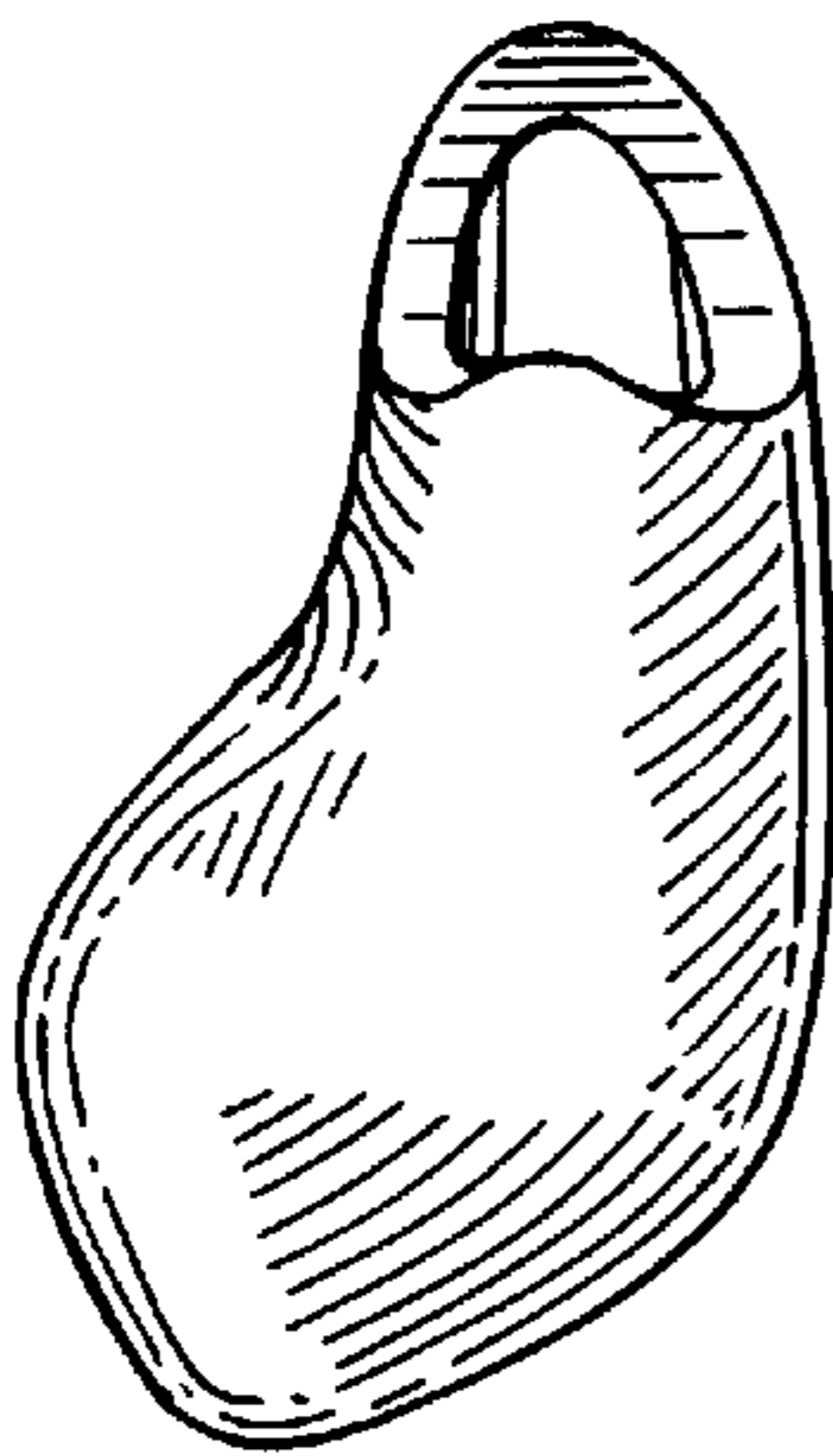


FIG. 3

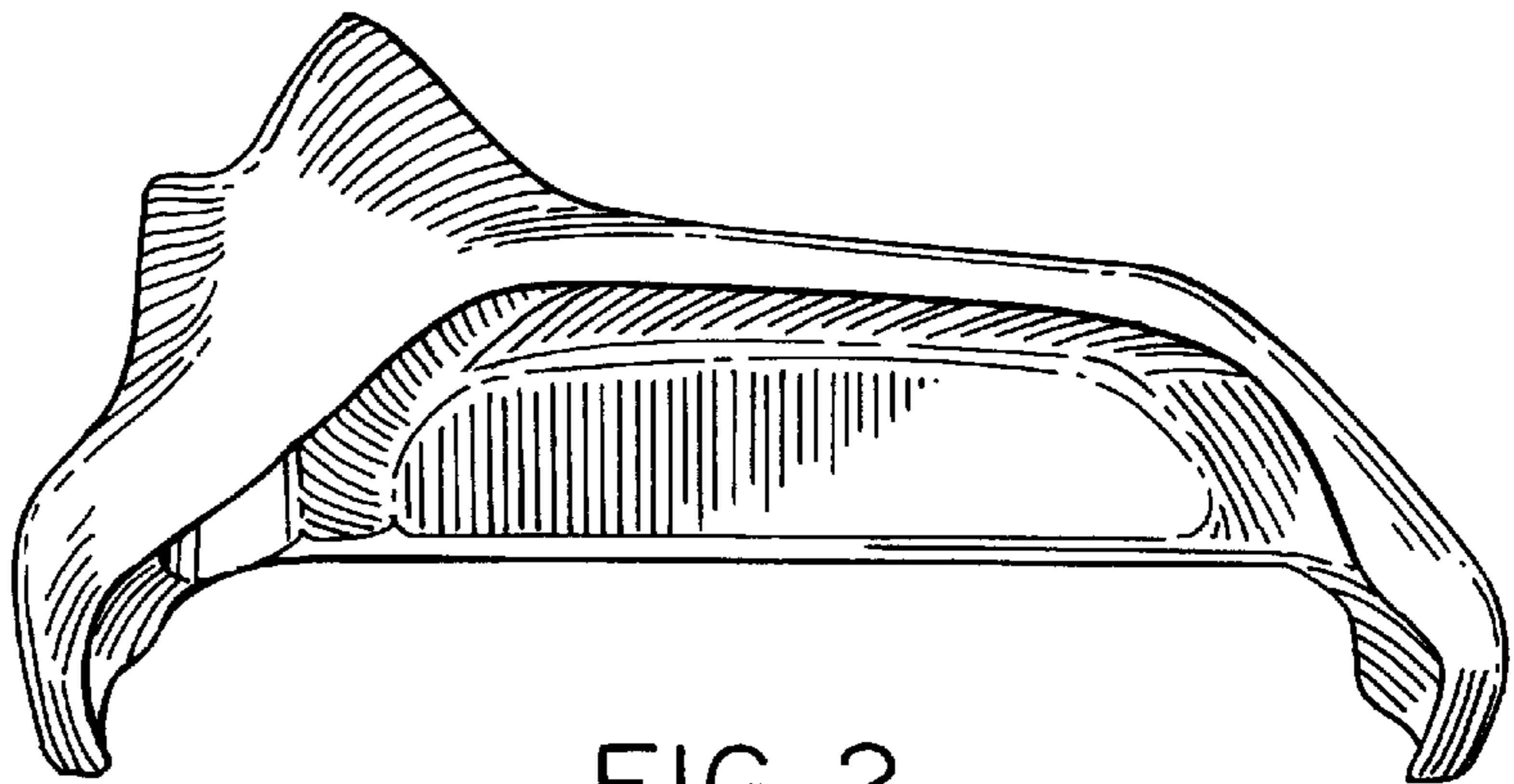


FIG. 2

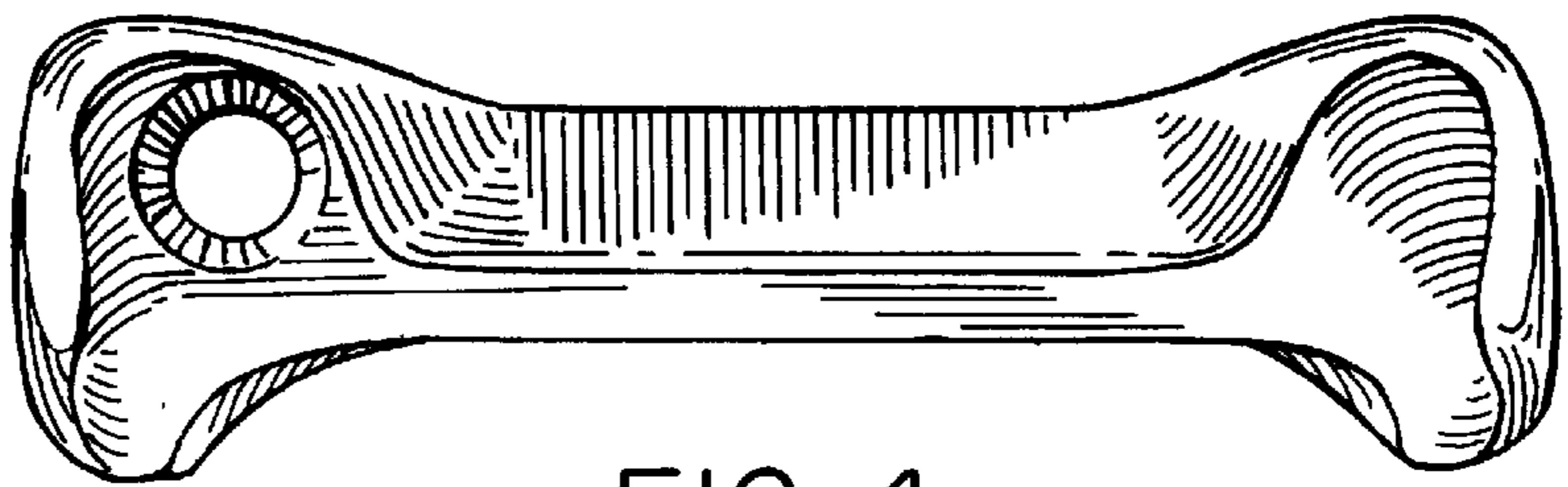


FIG. 4

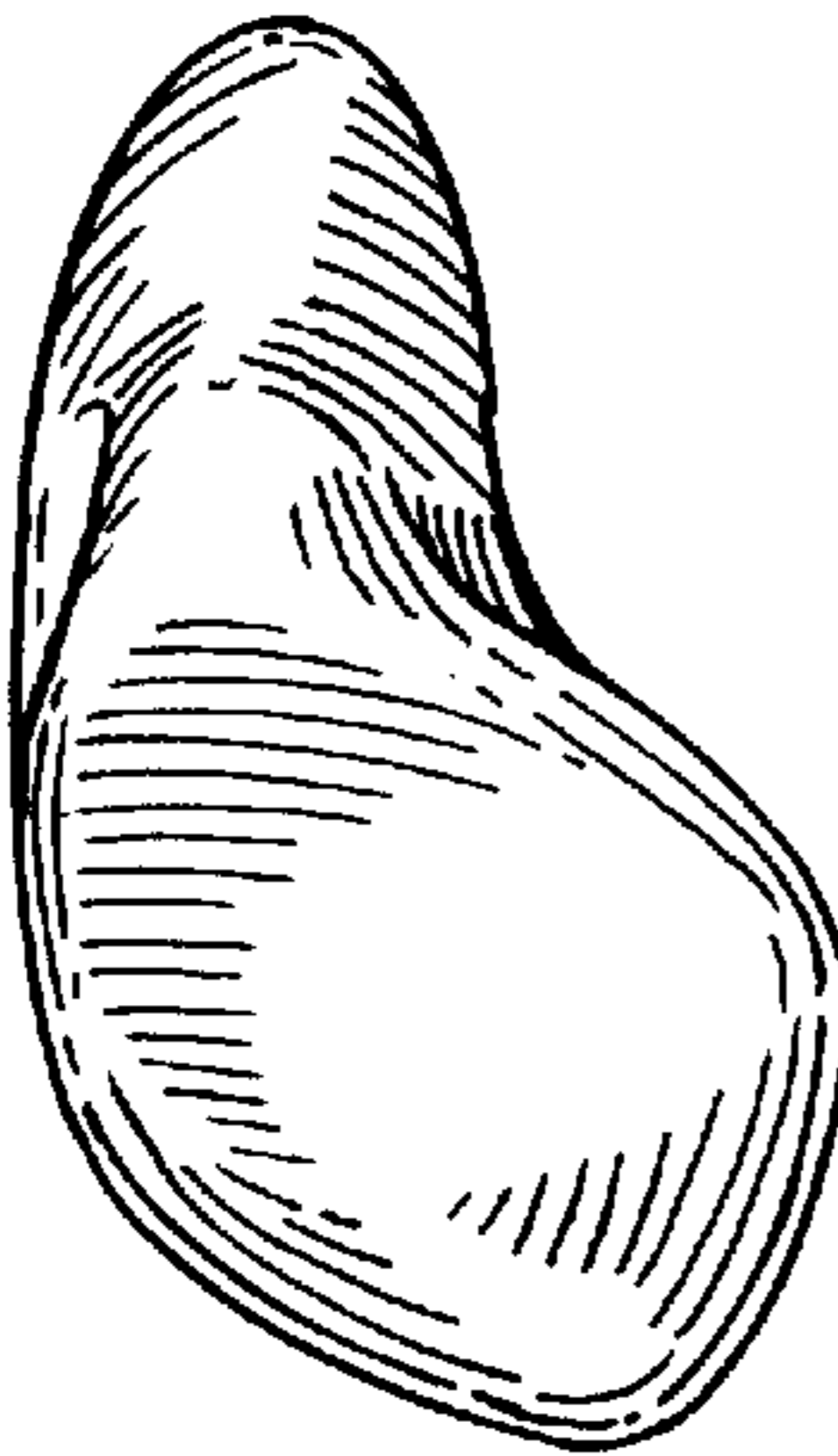


FIG. 6

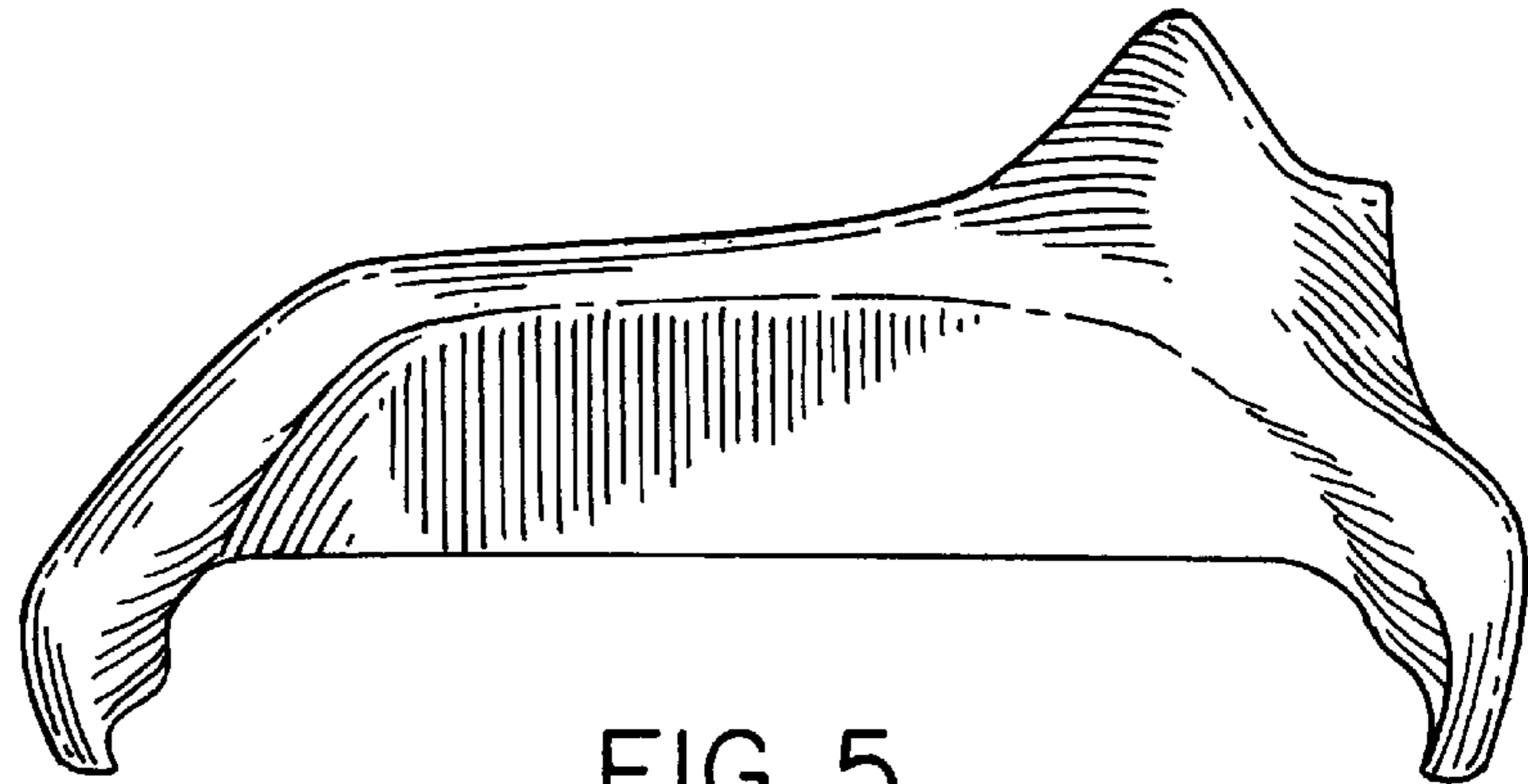


FIG. 5

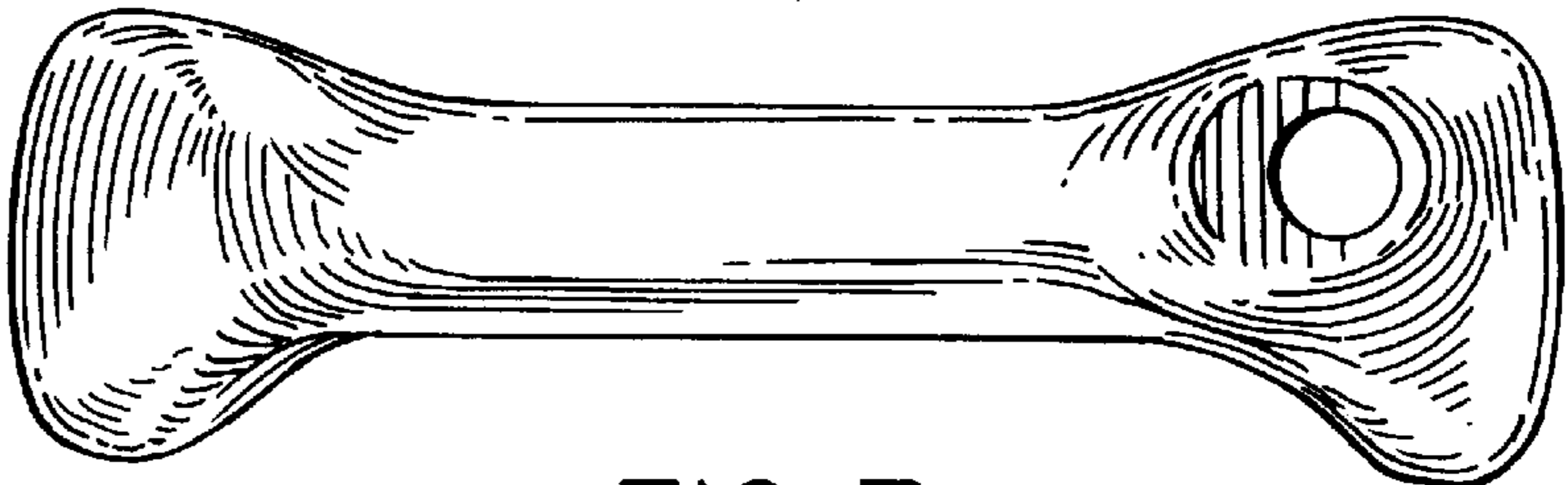


FIG. 7