



US00D405797S

**United States Patent** [19]  
**Uehara**

[11] **Patent Number: Des. 405,797**  
[45] **Date of Patent: \*\*Feb. 16, 1999**

[54] **REMOTE CONTROLLER**

[75] Inventor: **Mitsuhiro Uehara**, Tokyo, Japan  
[73] Assignee: **Sony Corporation**, Tokyo, Japan  
[\*\*] Term: **14 Years**

[21] Appl. No.: **70,765**  
[22] Filed: **May 15, 1997**

[51] **LOC (6) Cl.** ..... **14-03**  
[52] **U.S. Cl.** ..... **D14/218**  
[58] **Field of Search** ..... D14/217-218,  
D14/299; D13/168; 348/734; 455/151.1,  
151.2, 151.3, 151.4, 152.1, 352-355; 200/331

[56] **References Cited**

**U.S. PATENT DOCUMENTS**

D. 300,030	2/1989	Barrett et al.	.....	D14/218
D. 313,997	1/1991	Ito et al.	.....	D14/218
D. 319,430	8/1991	Cheng	.....	D14/218
D. 348,268	6/1994	Chambers	.....	D14/218
D. 349,118	7/1994	Yuen	.....	D14/218
D. 352,506	11/1994	Kawamoto et al.	.....	D14/218
D. 354,477	1/1995	Kawamura et al.	.....	D14/218

**OTHER PUBLICATIONS**

Sony, catalog, "Multiscan Projector, VPH-G70QJ/VPH-D50QJ/VPH-1292QJ", pp. 3 and 10, Mar., 1997.

*Primary Examiner*—Ruth McInroy  
*Attorney, Agent, or Firm*—Foley & Lardner

[57] **CLAIM**

The ornamental design for a remote controller, as shown and described.

**DESCRIPTION**

FIG. 1 is a perspective view of a remote controller showing my new design;  
FIG. 2 is a top plan view thereof;  
FIG. 3 is a left side elevational view thereof;  
FIG. 4 is a front elevational view thereof;  
FIG. 5 is a bottom plan view thereof;  
FIG. 6 is a right side elevational view thereof; and,  
FIG. 7 is a rear elevational view thereof.  
The buttons shown in broken lines in FIGS. 1 and 4 are for illustrative purposes only and form no part of the claimed design.

**1 Claim, 3 Drawing Sheets**

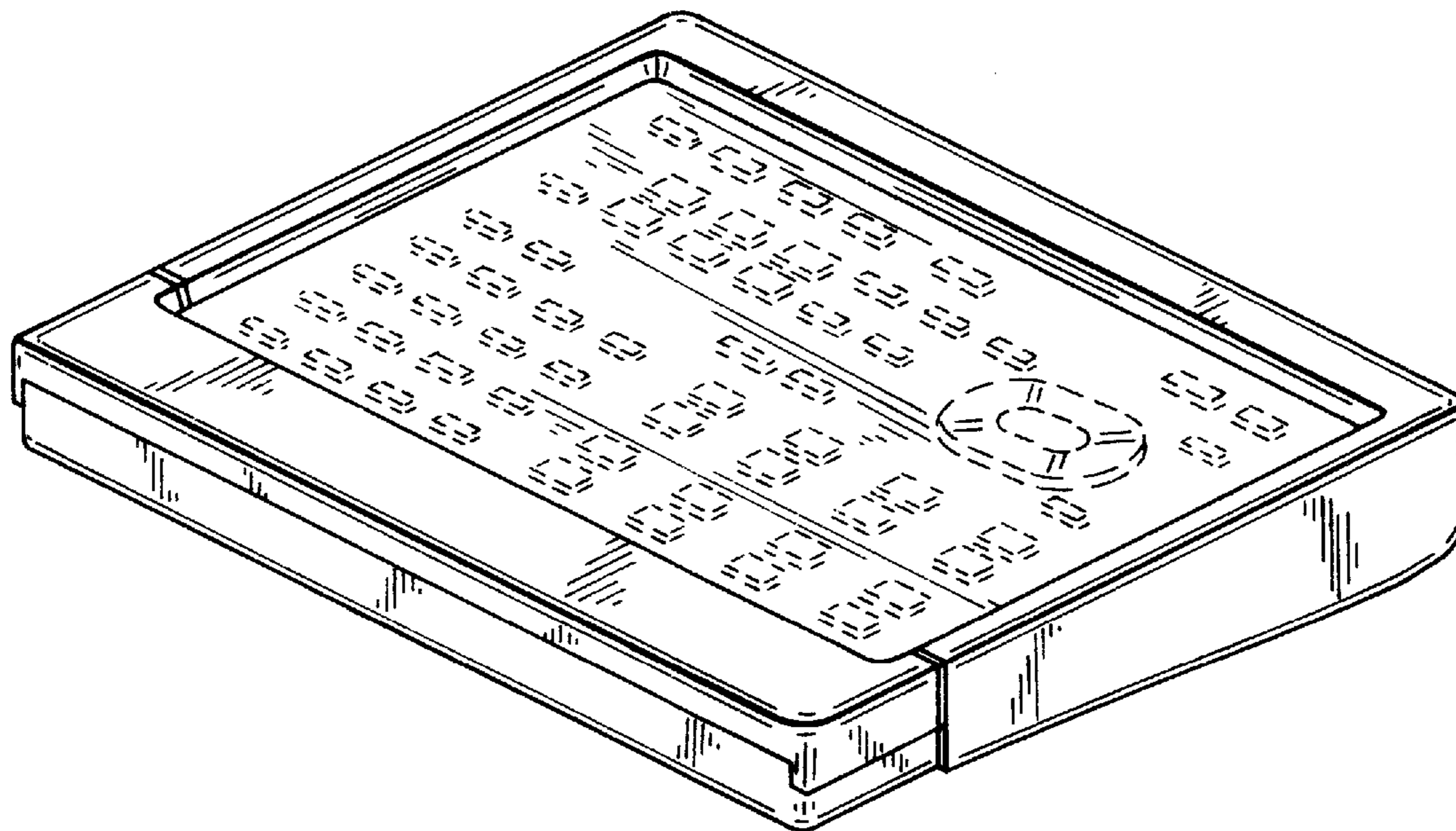


FIG. 1

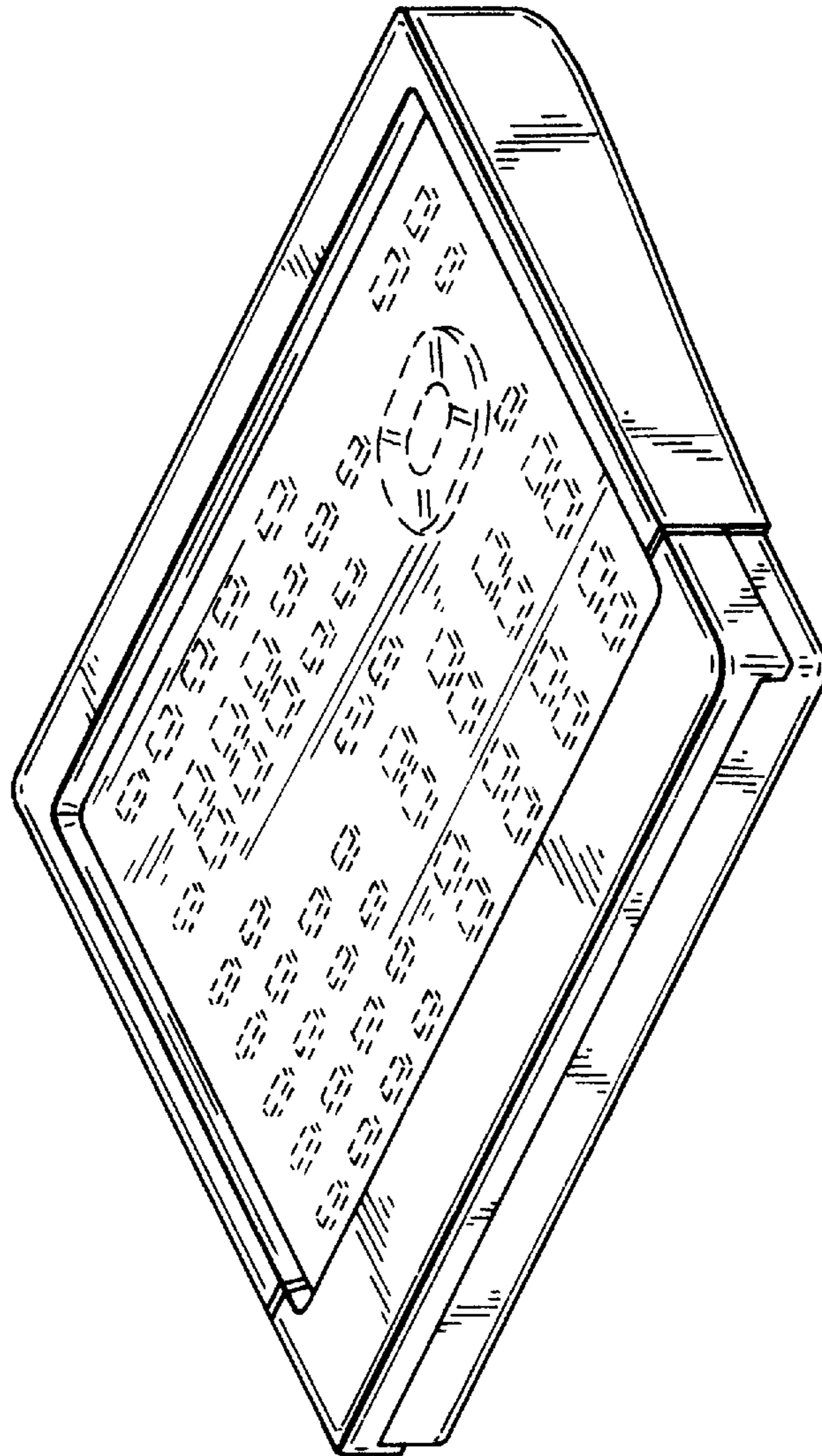


FIG. 2

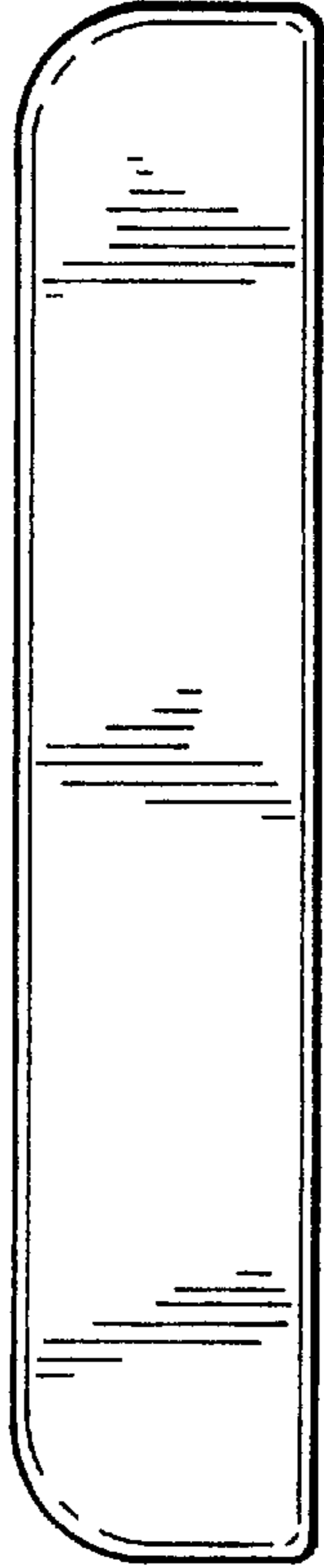


FIG. 4

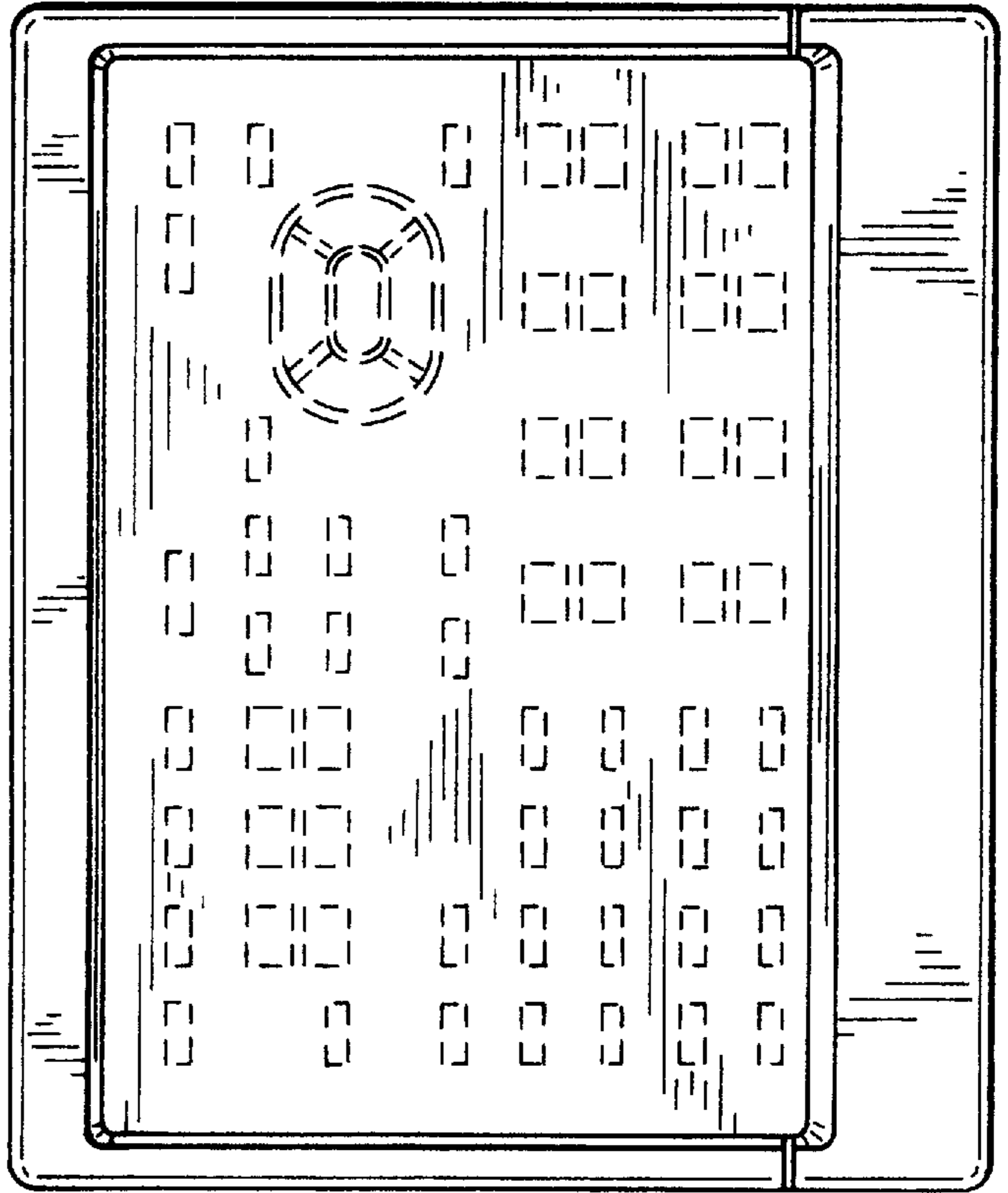


FIG. 3

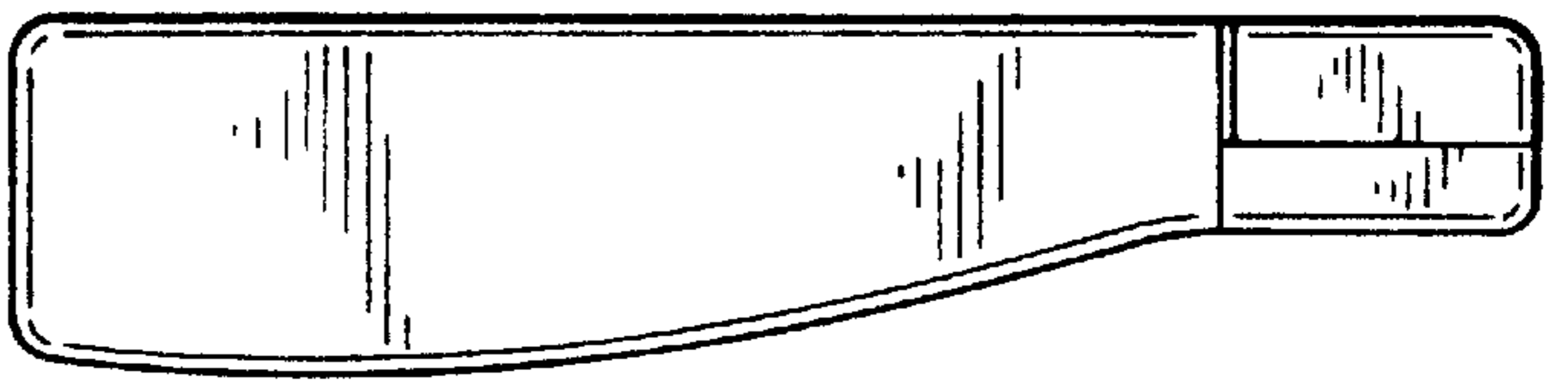


FIG. 5

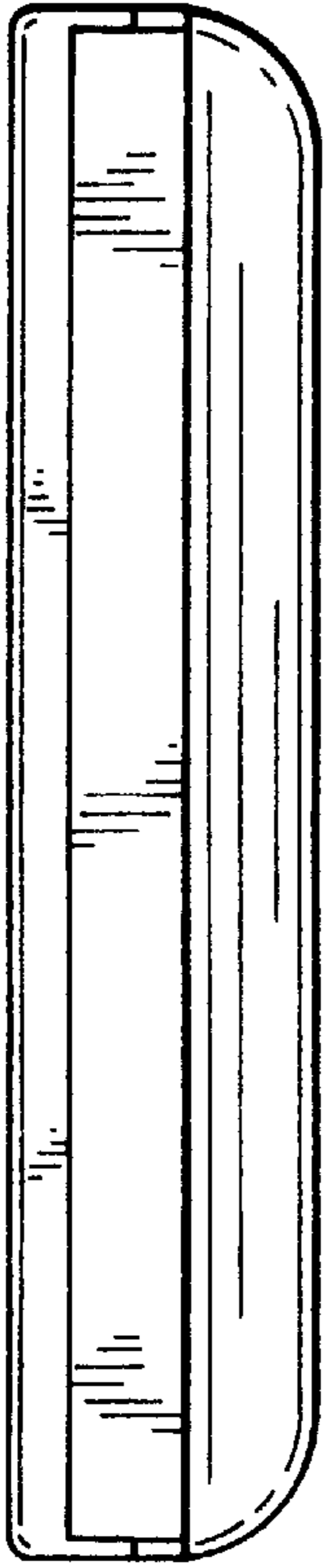


FIG. 7

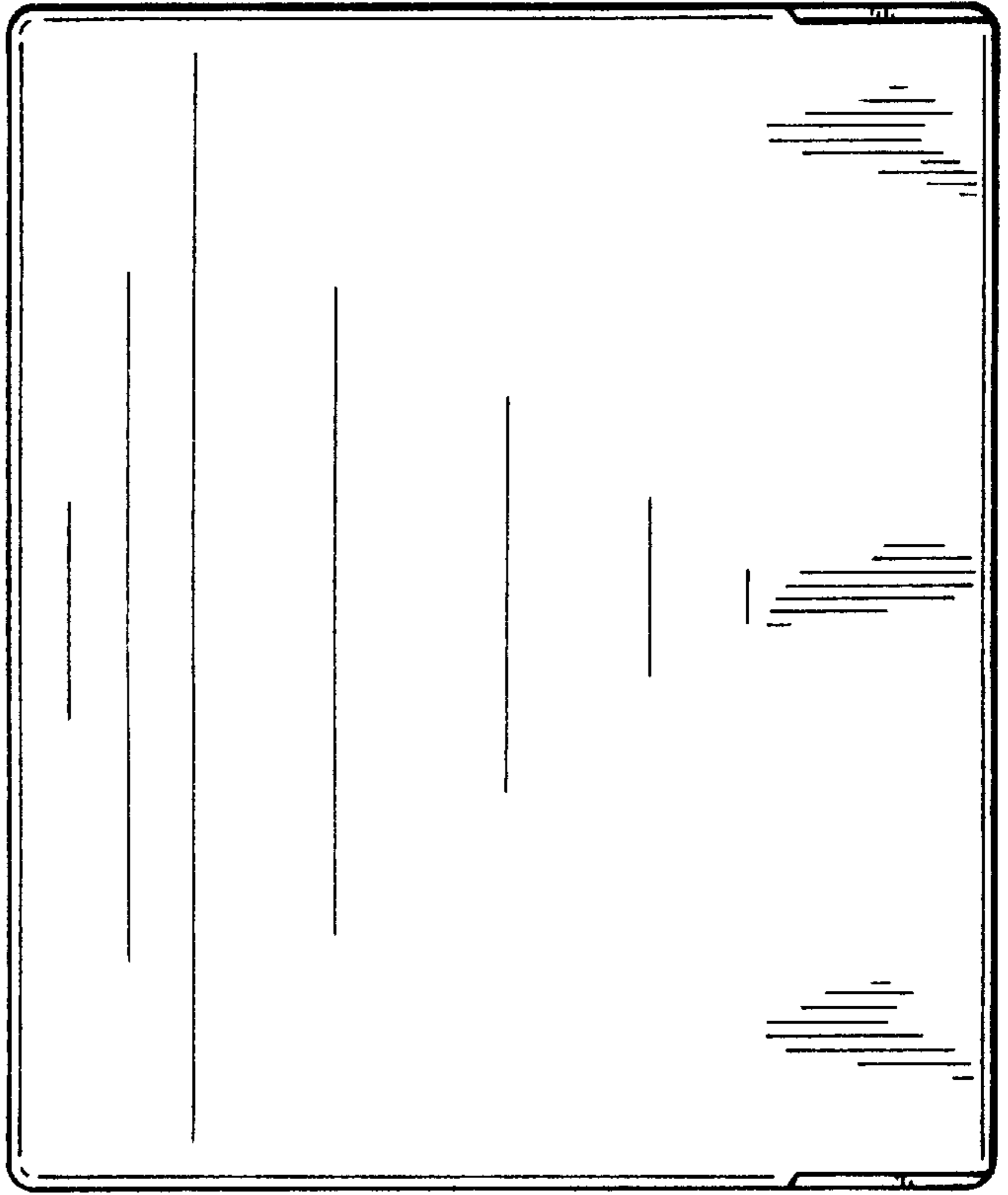


FIG. 6

