



US00D405796S

United States Patent [19]
Uehara

[11] **Patent Number: Des. 405,796**

[45] **Date of Patent: **Feb. 16, 1999**

[54] **REMOTE CONTROLLER**

5,481,251 1/1996 Buys et al. D14/218

[75] Inventor: **Mitsuhiro Uehara**, Tokyo, Japan

OTHER PUBLICATIONS

[73] Assignee: **Sony Corporation**, Tokyo, Japan

Sony, "LCD Data Projector, VPL-V800Q/V800QM", Jul., 1996.

[**] Term: **14 Years**

Primary Examiner—Ruth McInroy
Attorney, Agent, or Firm—Foley & Lardner

[21] Appl. No.: **69,890**

[22] Filed: **Apr. 2, 1997**

[57] **CLAIM**

[51] **LOC (6) Cl.** **14-03**

[52] **U.S. Cl.** **D14/218**

[58] **Field of Search** D14/217, 218;
D13/168; 348/734; 455/151.1–151.4, 152.1,
352–355; 200/331

The ornamental design for a remote controller, as shown and described.

DESCRIPTION

[56] **References Cited**

U.S. PATENT DOCUMENTS

- D. 317,310 6/1991 Schwartz D14/217
- D. 339,137 9/1993 Takeda D14/218
- D. 341,837 11/1993 Curbbun D14/218
- D. 361,058 8/1995 Domel et al. D14/218
- D. 366,262 1/1996 Inaba D14/218

FIG. 1 is a perspective view of a remote controller showing my new design;
 FIG. 2 is a top plan view thereof;
 FIG. 3 is a left side elevational view thereof, a right side elevational view thereof being a mirror image;
 FIG. 4 is a front elevational view thereof;
 FIG. 5 is a bottom plan view thereof; and,
 FIG. 6 is a rear elevational view thereof.

1 Claim, 2 Drawing Sheets

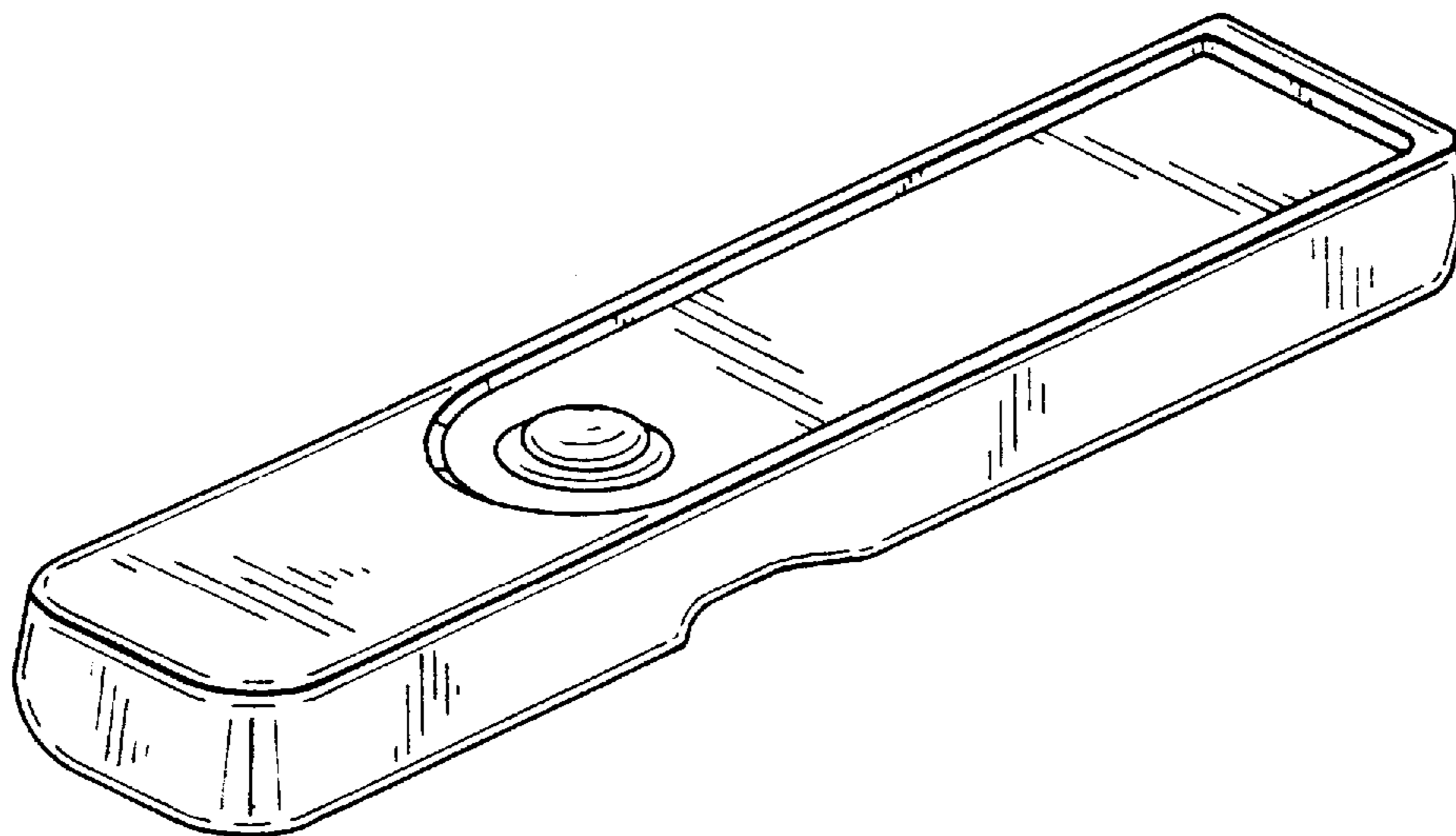


FIG. 1

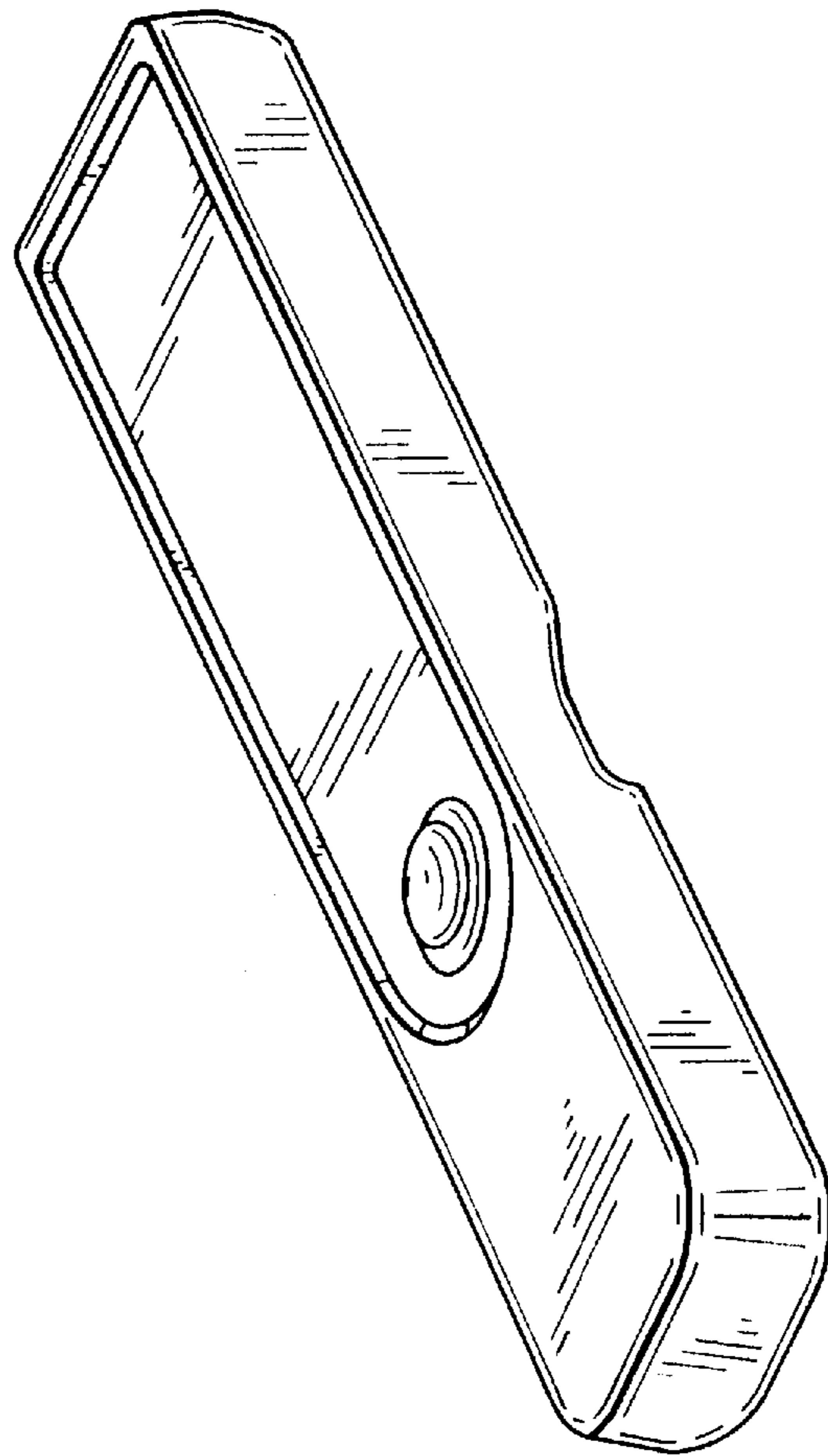


FIG. 6

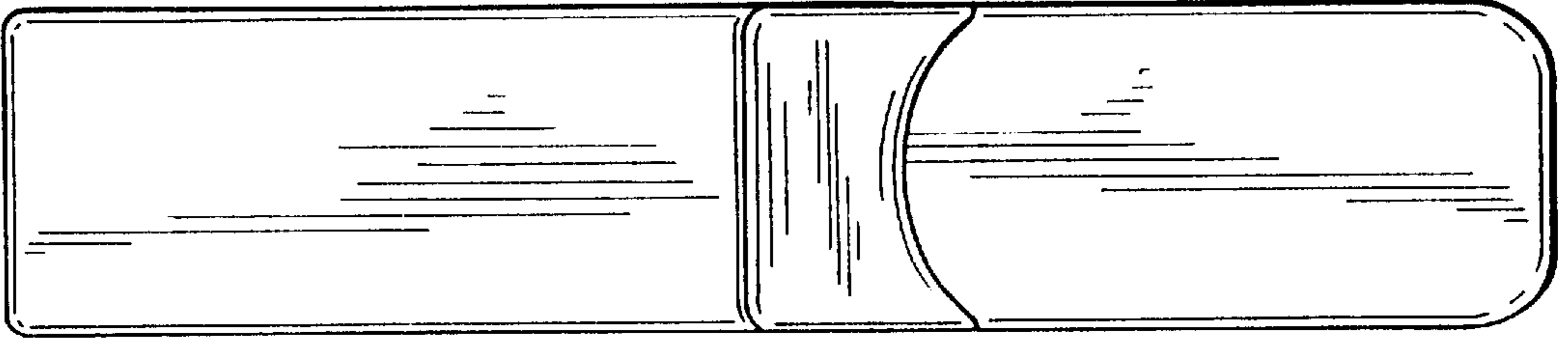


FIG. 4

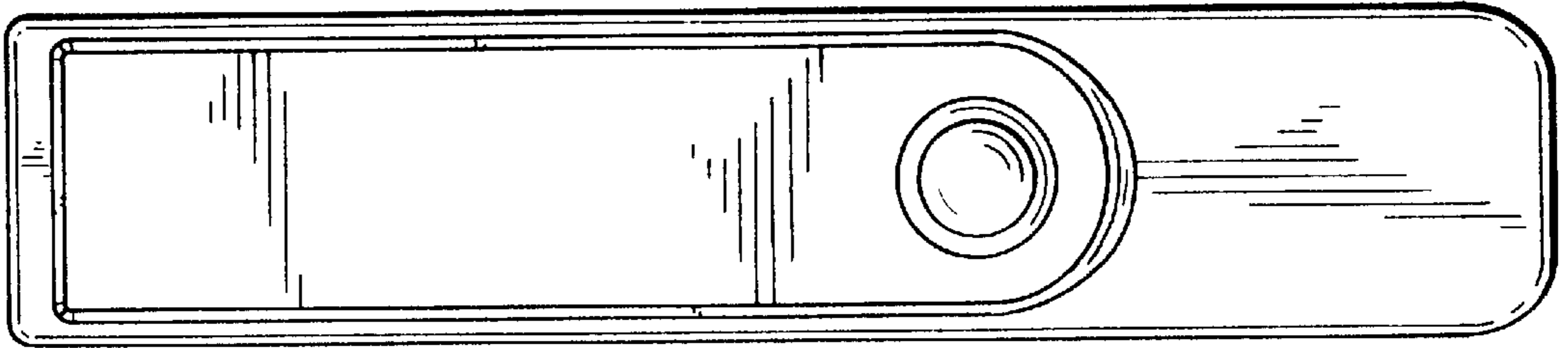


FIG. 3

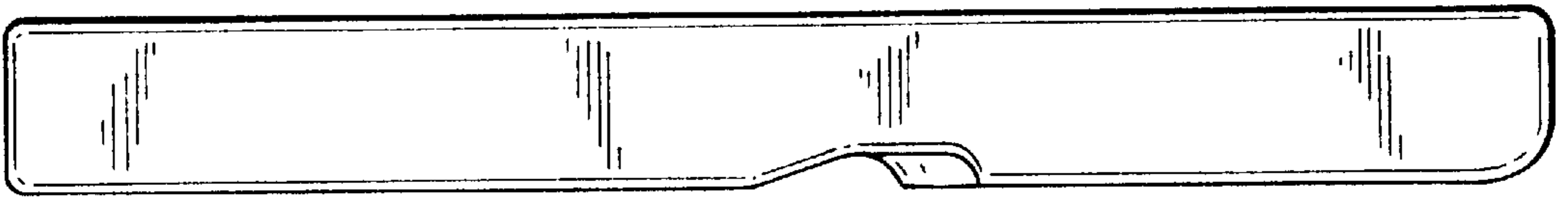


FIG. 2

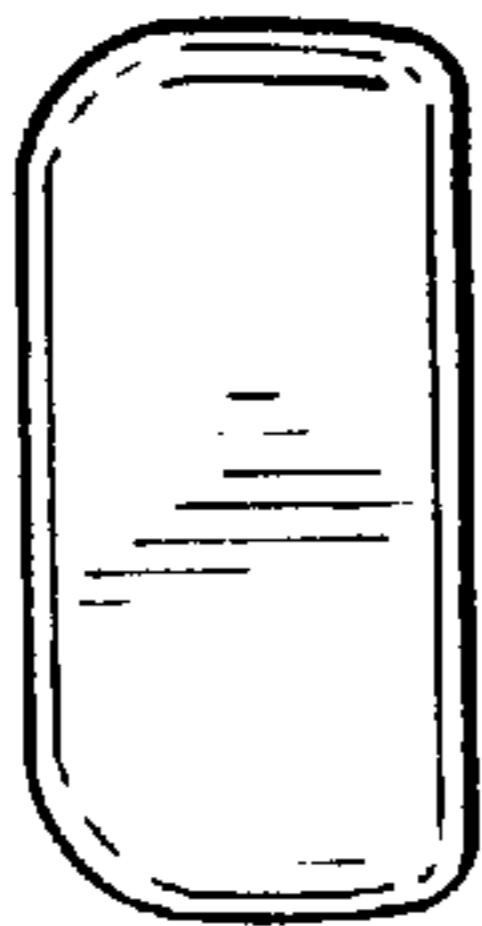


FIG. 5

