



US00D405794S

United States Patent [19] Olsen

[11] **Patent Number: Des. 405,794**

[45] **Date of Patent: **Feb. 16, 1999**

[54] **AUDIO SPEAKER CABINET**

4,843,624 6/1989 Rashak 381/91

[76] Inventor: **Donald Olsen**, 11 Larkspur Dr.,
Smithtown, N.Y. 11787

Primary Examiner—Ted Shooman
Assistant Examiner—Nanda Bondade
Attorney, Agent, or Firm—Burton S. Heiko

[**] Term: **14 Years**

[57] CLAIM

[21] Appl. No.: **89,430**

The ornamental design for an audio speaker cabinet, as shown and described.

[22] Filed: **Jun. 15, 1998**

DESCRIPTION

[51] **LOC (6) Cl.** **14-01**

[52] **U.S. Cl.** **D14/204; D14/214**

[58] **Field of Search** D14/204, 207–216;
181/144, 145, 147, 148, 150, 152, 153,
157, 198, 199; 381/24, 88, 90–91, 153,
159, 186, 188

FIG. 1 is a front, top and right side isometric view of an audio speaker cabinet showing my new design, the left side view being a mirror image of the right side view;

FIG. 2 is a front view thereof;

FIG. 3 is a sectional view taken along the lines 3—3 of FIG. 2; and,

FIG. 4 is a sectional view taken along the lines 4—4 of FIG. 2.

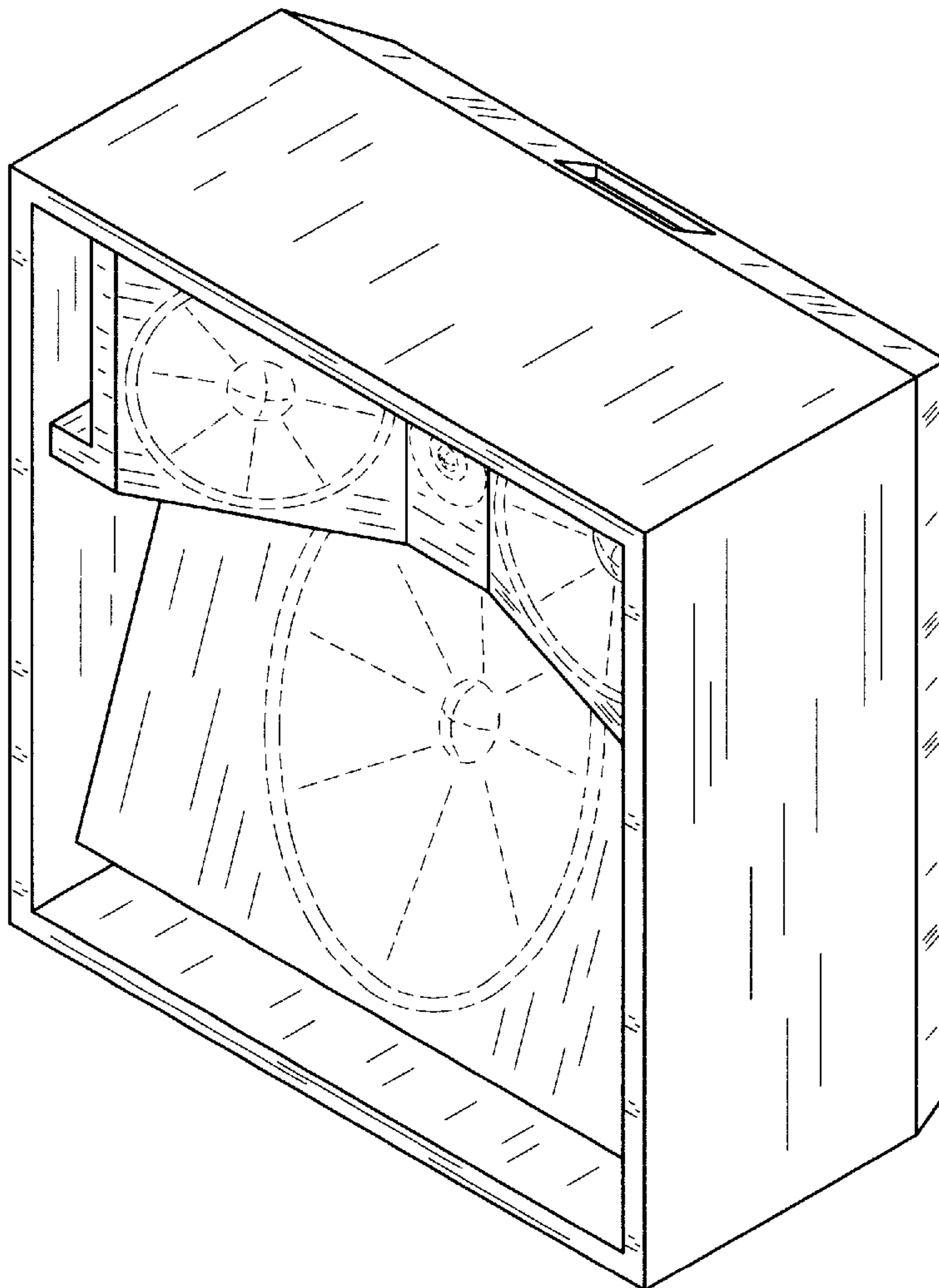
The broken line showing of the speakers is for illustrative purposes only and forms no part of the claimed design.

[56] References Cited

U.S. PATENT DOCUMENTS

D. 257,677	12/1980	Fujiwara	D14/119
D. 276,518	11/1984	Clemans	D14/214
D. 307,014	4/1990	Newman	D14/204 X
D. 379,629	6/1997	Watson et al.	D14/214 X

1 Claim, 3 Drawing Sheets



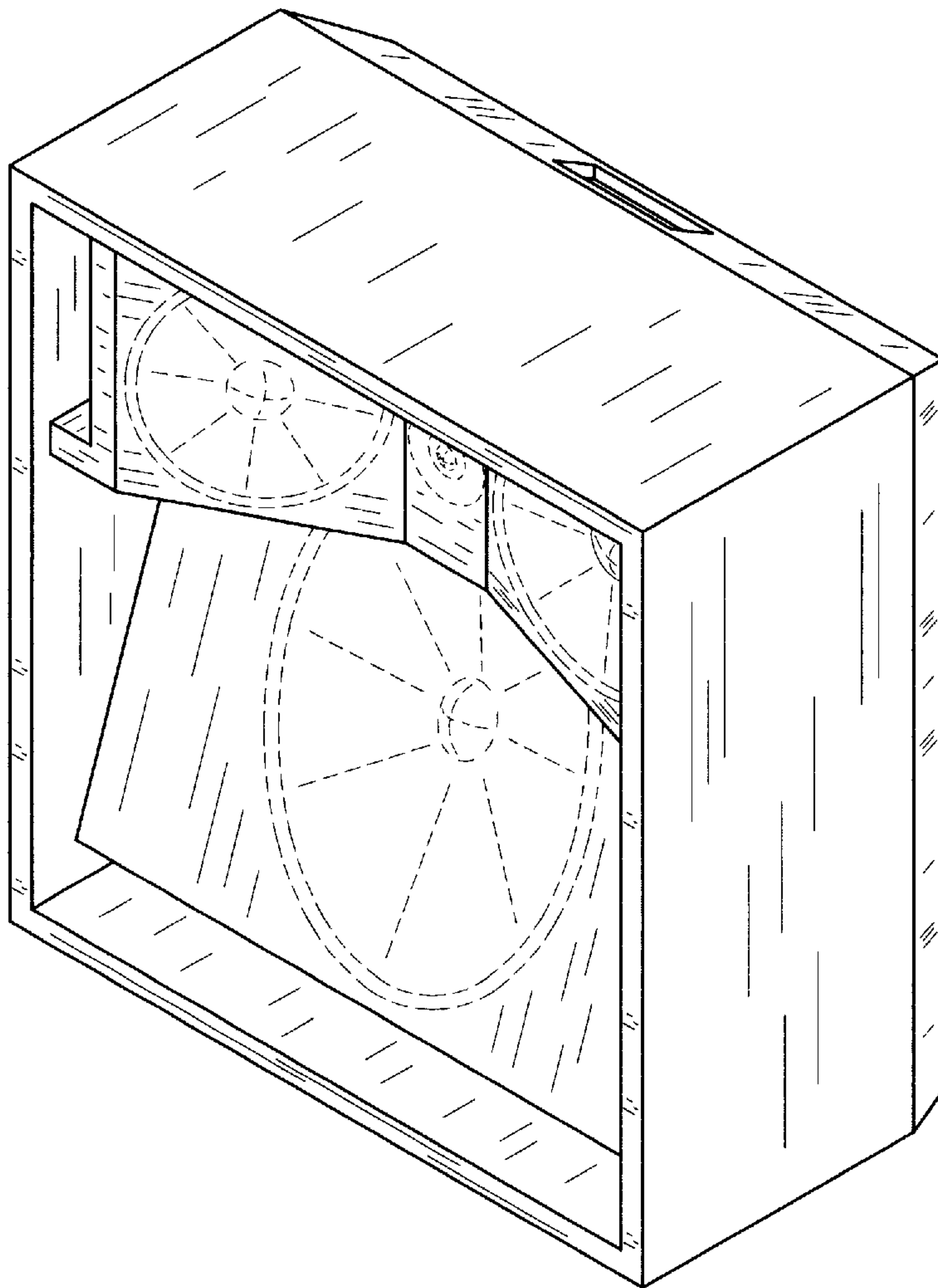


FIG. 1

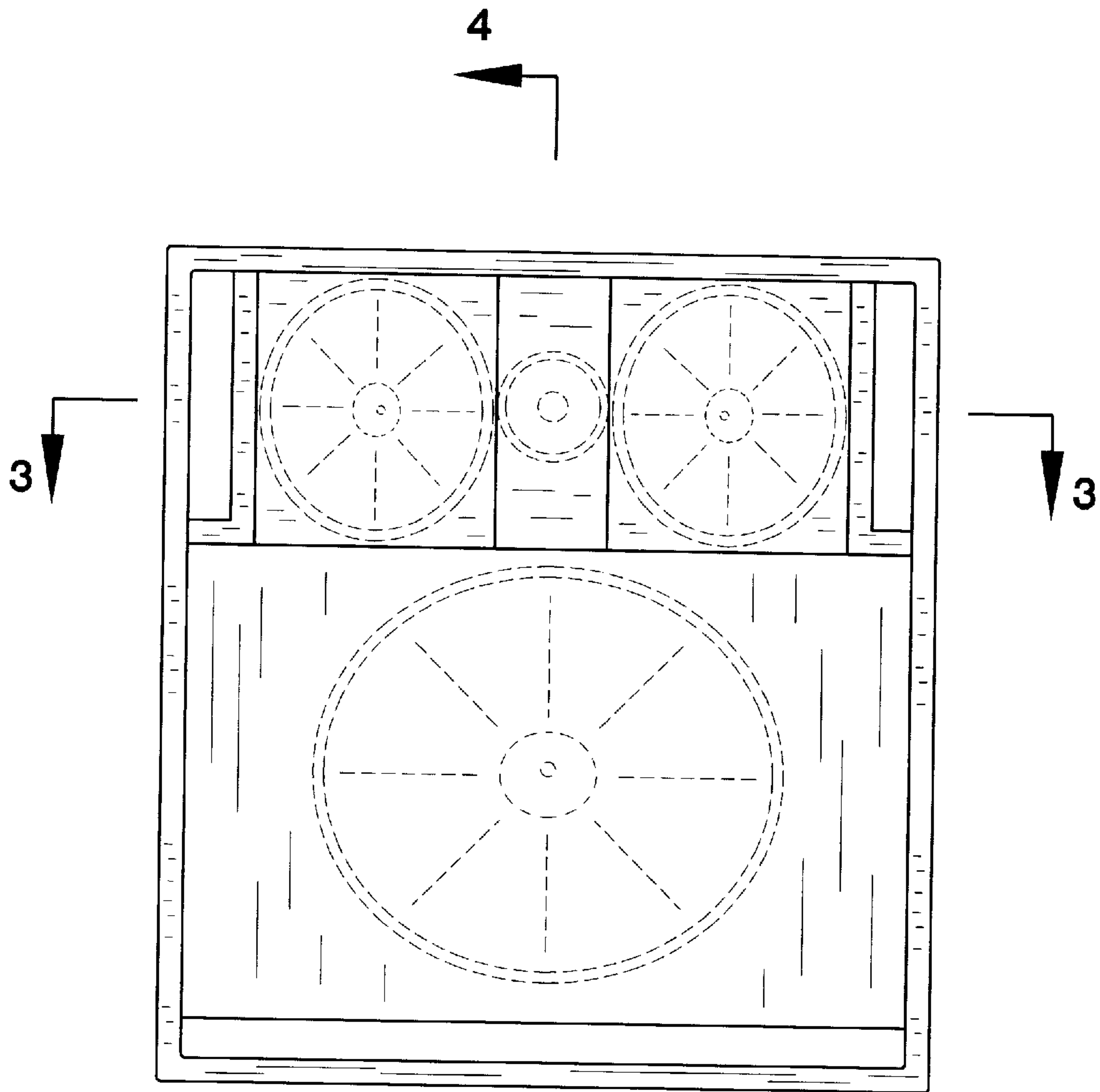


FIG. 2

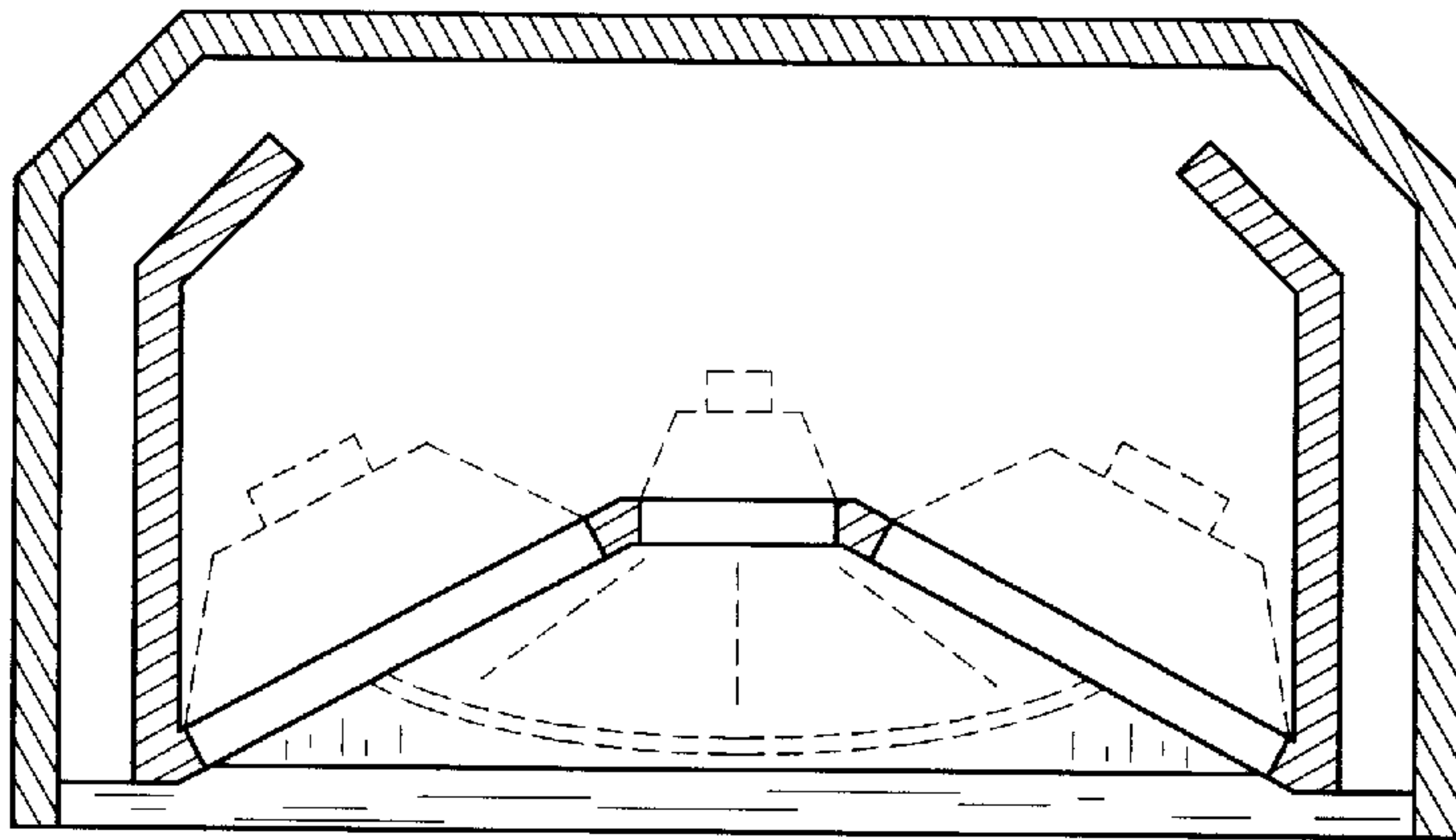


FIG. 3

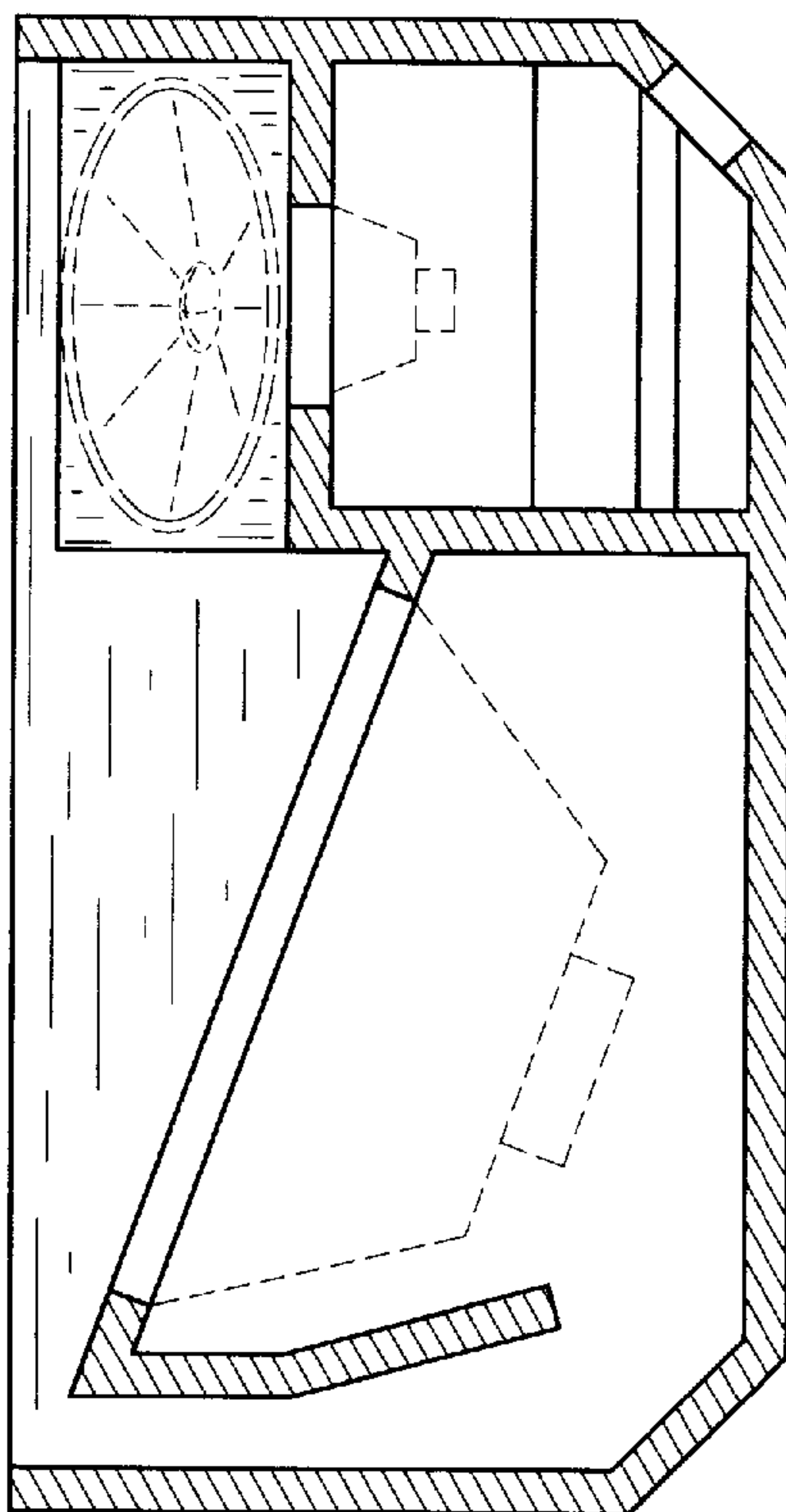


FIG. 4