



US00D405793S

# United States Patent [19]

Engelke et al.

[11] **Patent Number: Des. 405,793**

[45] **Date of Patent: \*\*Feb. 16, 1999**

[54] **PAGING MESSAGE DEVICE**

[76] Inventors: **Robert M. Engelke**, 3002 Bryn Wood Dr., Madison, Wis. 53711; **Peter Kirschhofer**, 523 S. Main St., Lake Mills, Wis. 53551; **Neil J Schmertmann**, 11211 S. Military Trail #44-22, Boynton Bch., Fla. 33436

[\*\*] Term: **14 Years**

[21] Appl. No.: **76,383**

[22] Filed: **Sep. 9, 1997**

[51] **LOC (6) Cl. .... 14-03**

[52] **U.S. Cl. .... D14/191**

[58] **Field of Search** ..... D14/188, 189, D14/191, 192; D18/1, 2, 6, 7; 340/311.1; 364/706-708, 709.01-709.09, 709.1, 709.16, 710; 455/92, 100, 124, 344

[56] **References Cited**

**U.S. PATENT DOCUMENTS**

D. 259,348 5/1981 Sakai et al. .... D18/2

D. 351,185 10/1994 Matsuda et al. .... D18/2  
D. 357,253 4/1995 Wong ..... D14/191  
D. 379,181 5/1997 Sawano et al. .... D14/191

*Primary Examiner*—Ted Shooman  
*Assistant Examiner*—Nanda Bondade  
*Attorney, Agent, or Firm*—Quarles & Brady LLP

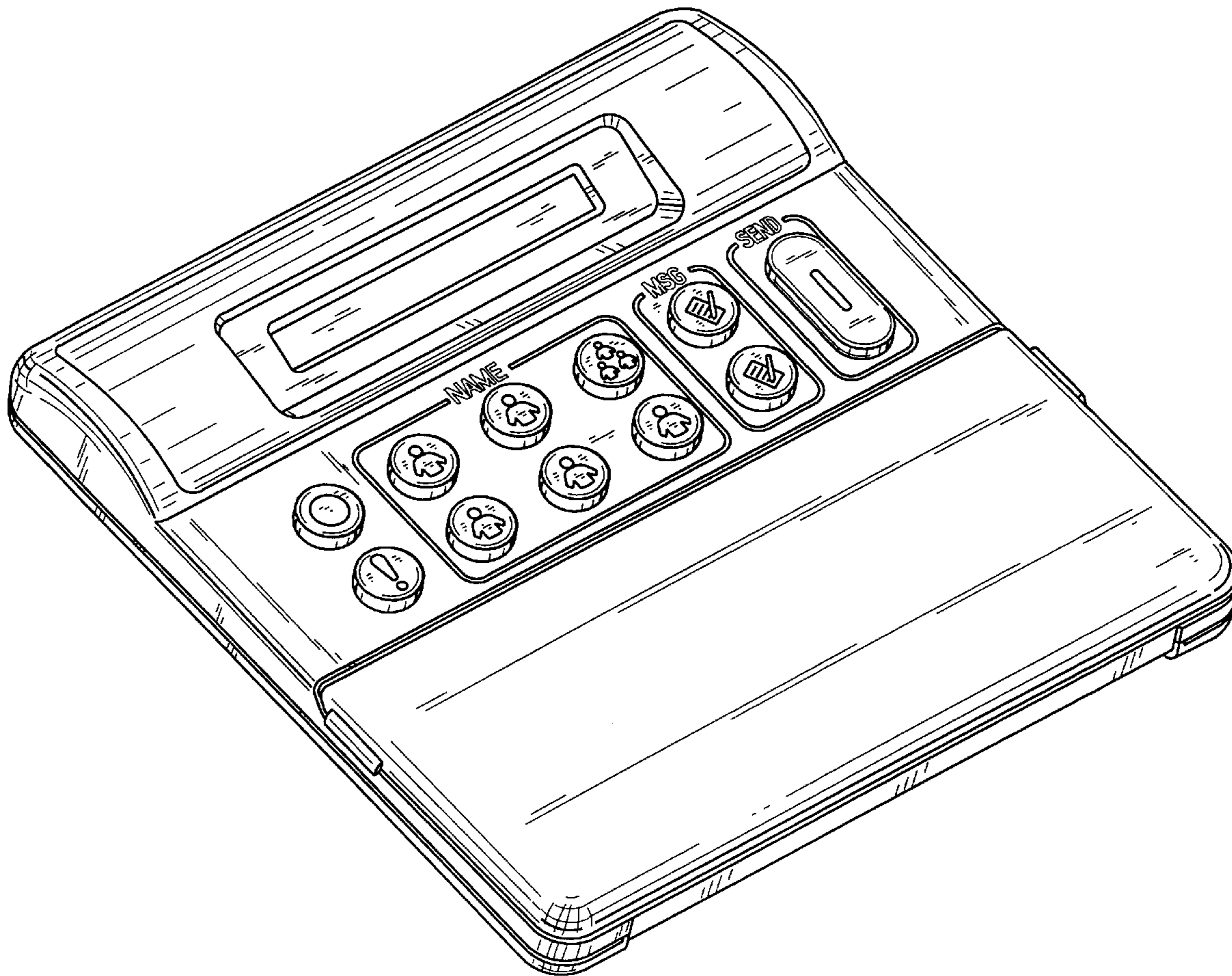
[57] **CLAIM**

The ornamental design for paging message device, as shown and described.

**DESCRIPTION**

FIG. 1 is a perspective view showing the top, front and left side of a paging message device showing our new design; FIG. 2 is a top plan view of FIG. 1; FIG. 3 is a left side elevational view of FIG. 1; FIG. 4 is a back elevational view of FIG. 1; and, FIG. 5 is a bottom plan view of FIG. 1; and, FIG. 6 is a right side elevational view of FIG. 1.

**1 Claim, 4 Drawing Sheets**



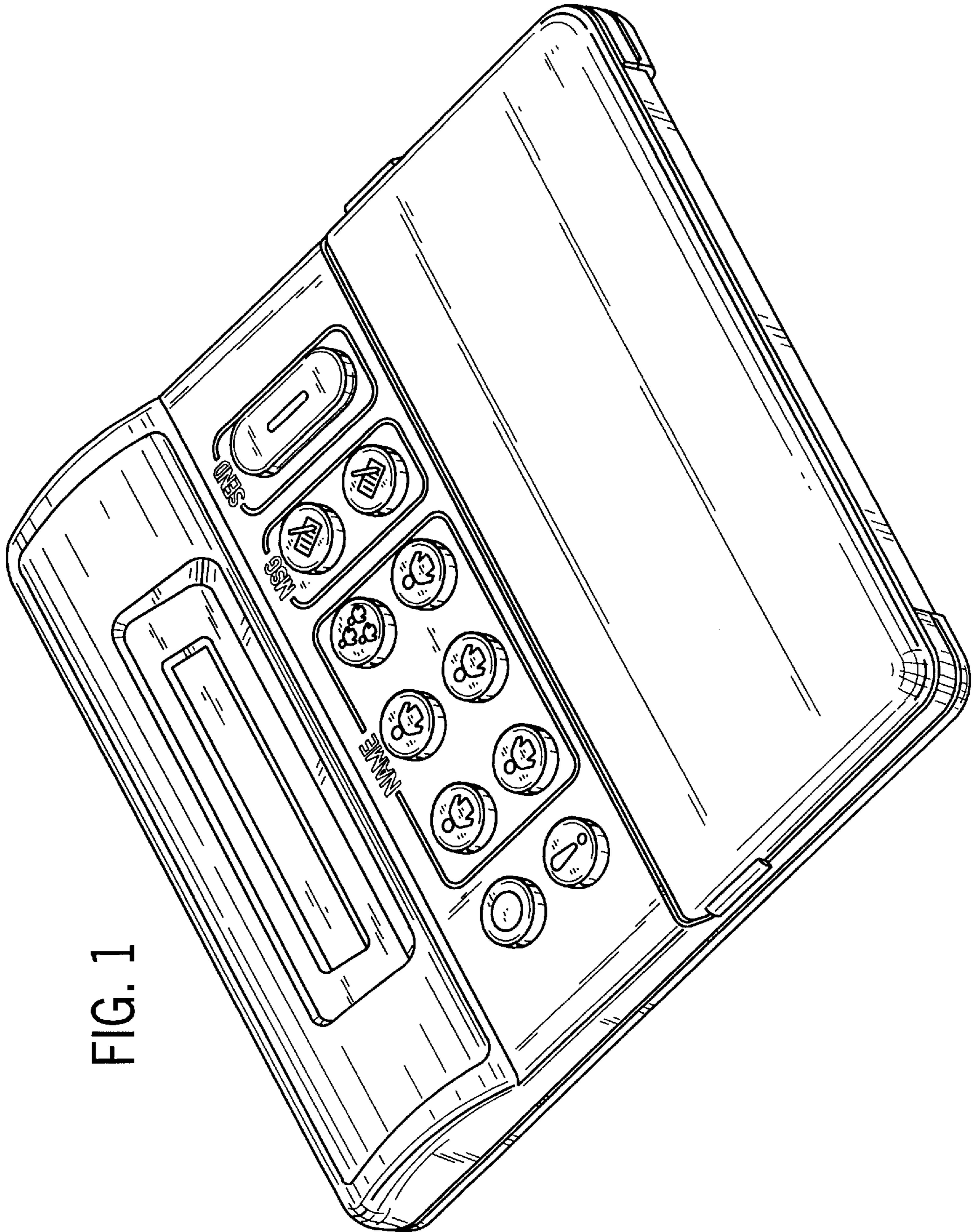


FIG. 1



FIG. 2

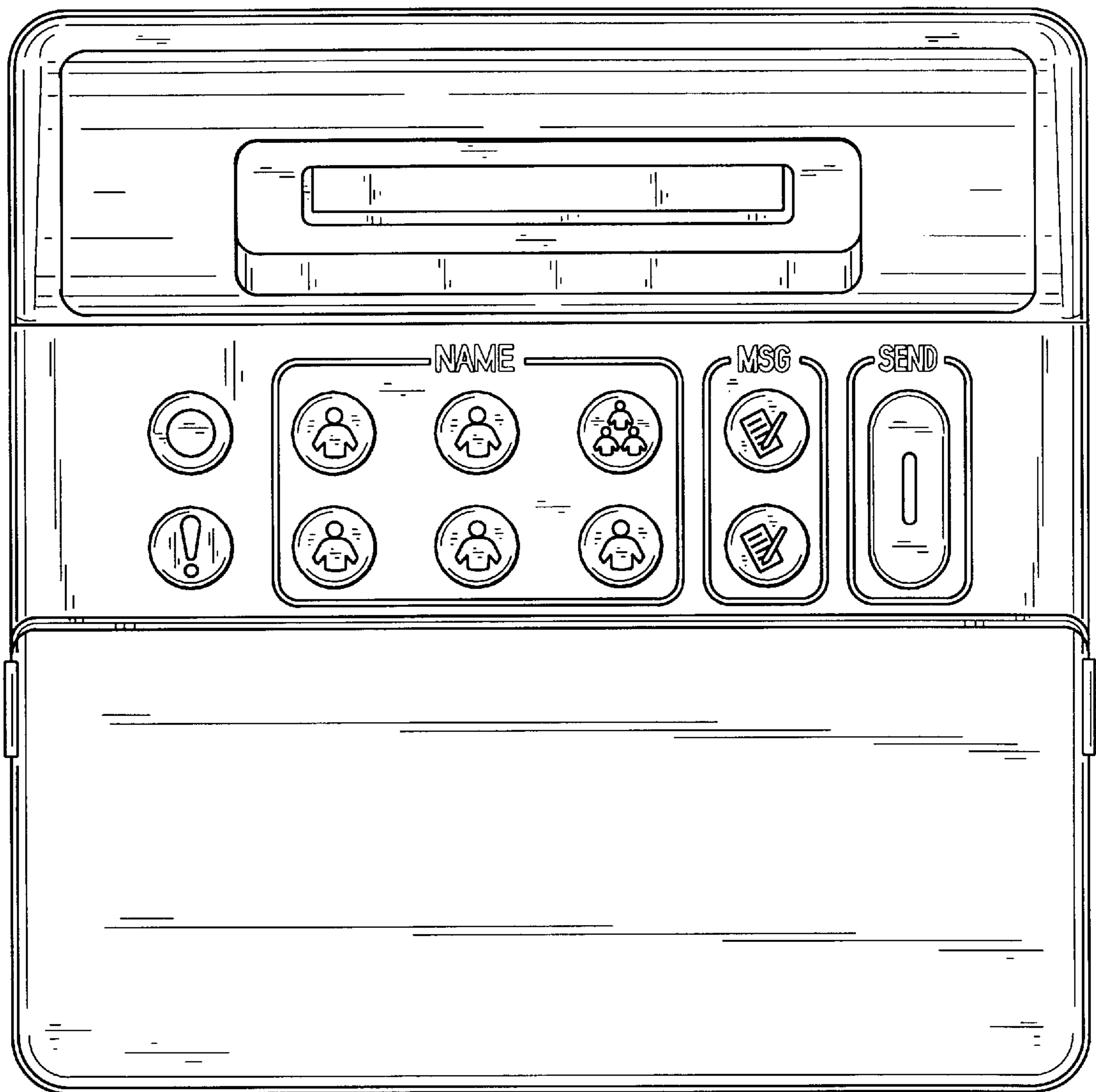


FIG. 3

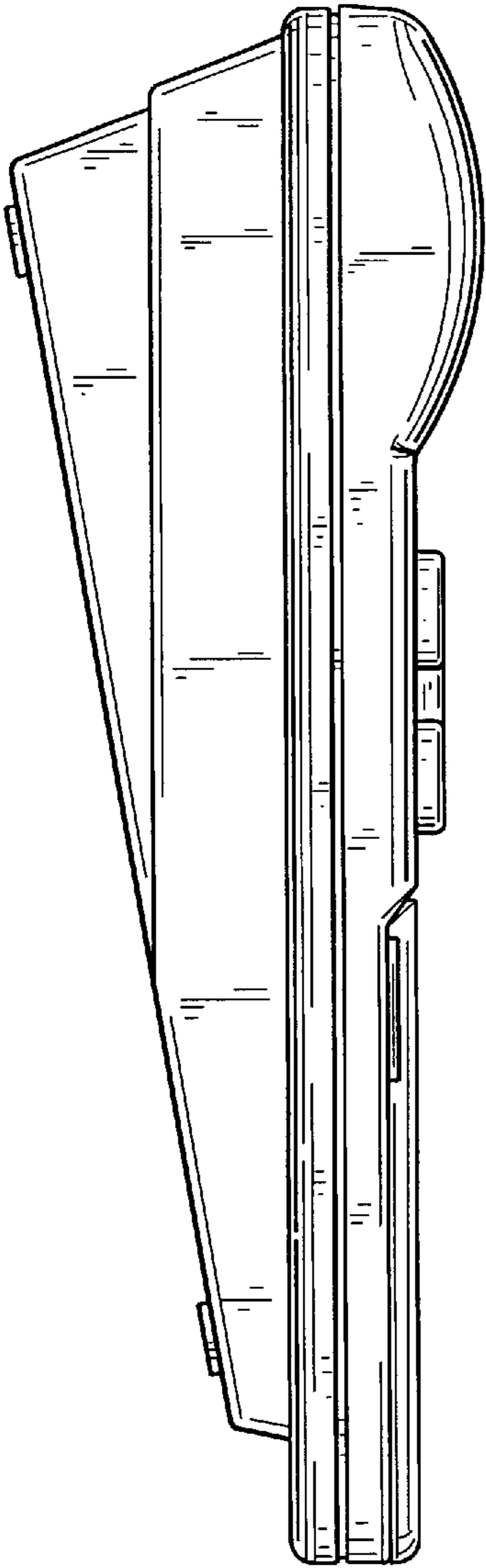


FIG. 6

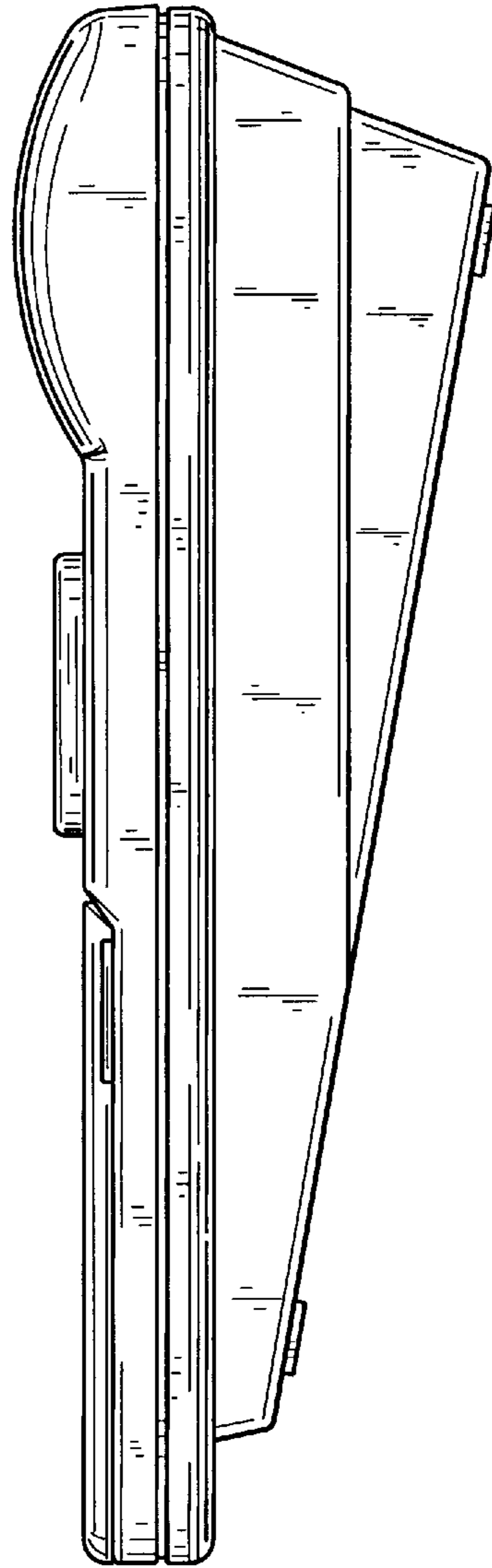


FIG. 4

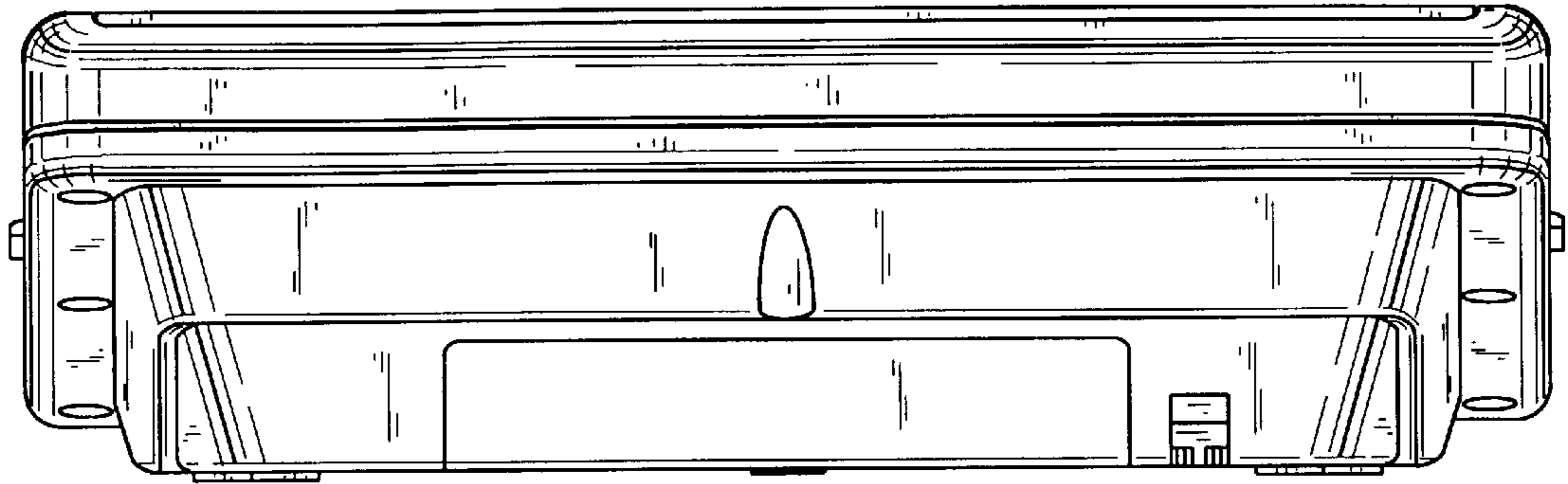


FIG. 5

