



US00D405791S

United States Patent [19]

Menke et al.

[11] Patent Number: **Des. 405,791**

[45] Date of Patent: ****Feb. 16, 1999**

[54] **JUKEBOX**

[75] Inventors: **Wihelm Menke; Boerge Heidersberger**, both of Bingen; **Fritz Biermeier**, Altenbarnberg; **Christoph Ludwig; Christoph K nnecke**, both of Frankfurt am Main, all of Germany; **William J. Ward, Jr.**, Belvidere, Ill.

[73] Assignee: **NSM Aktiengesellschaft**, Bingen, Germany

[**] Term: **14 Years**

[21] Appl. No.: **78,191**

[22] Filed: **Oct. 21, 1997**

[51] **LOC (6) Cl.** **14-01**

[52] **U.S. Cl.** **D14/173**

[58] **Field of Search** D14/173, 174, D14/299; 369/30, 34, 35, 37, 75.1

[56] **References Cited**

U.S. PATENT DOCUMENTS

D. 197,669	3/1964	Kenney et al.	D14/174
D. 220,807	5/1971	Sundberg	D14/174
3,074,725	1/1963	Rockola	369/75.1 X

Primary Examiner—Ted Shooman
Assistant Examiner—Nanda Bondade
Attorney, Agent, or Firm—Jacobson, Price, Holman & Stern, PLLC

[57] **CLAIM**

The ornamental design for a jukebox, as shown and described.

DESCRIPTION

FIG. 1 is a front perspective view showing our new design for a jukebox;
FIG. 2 is a top view thereof;
FIG. 3 is a bottom view thereof;
FIG. 4 is a right side view;
FIG. 5 is a left side view thereof;
FIG. 6 is a rear view thereof;
FIG. 7 is a front perspective view of an alternate embodiment of FIG. 1;
FIG. 8 is a top view thereof;
FIG. 9 is a bottom view thereof;
FIG. 10 is a right side view thereof;
FIG. 11 is a left side view thereof; and,
FIG. 12 is a rear view thereof.

1 Claim, 4 Drawing Sheets

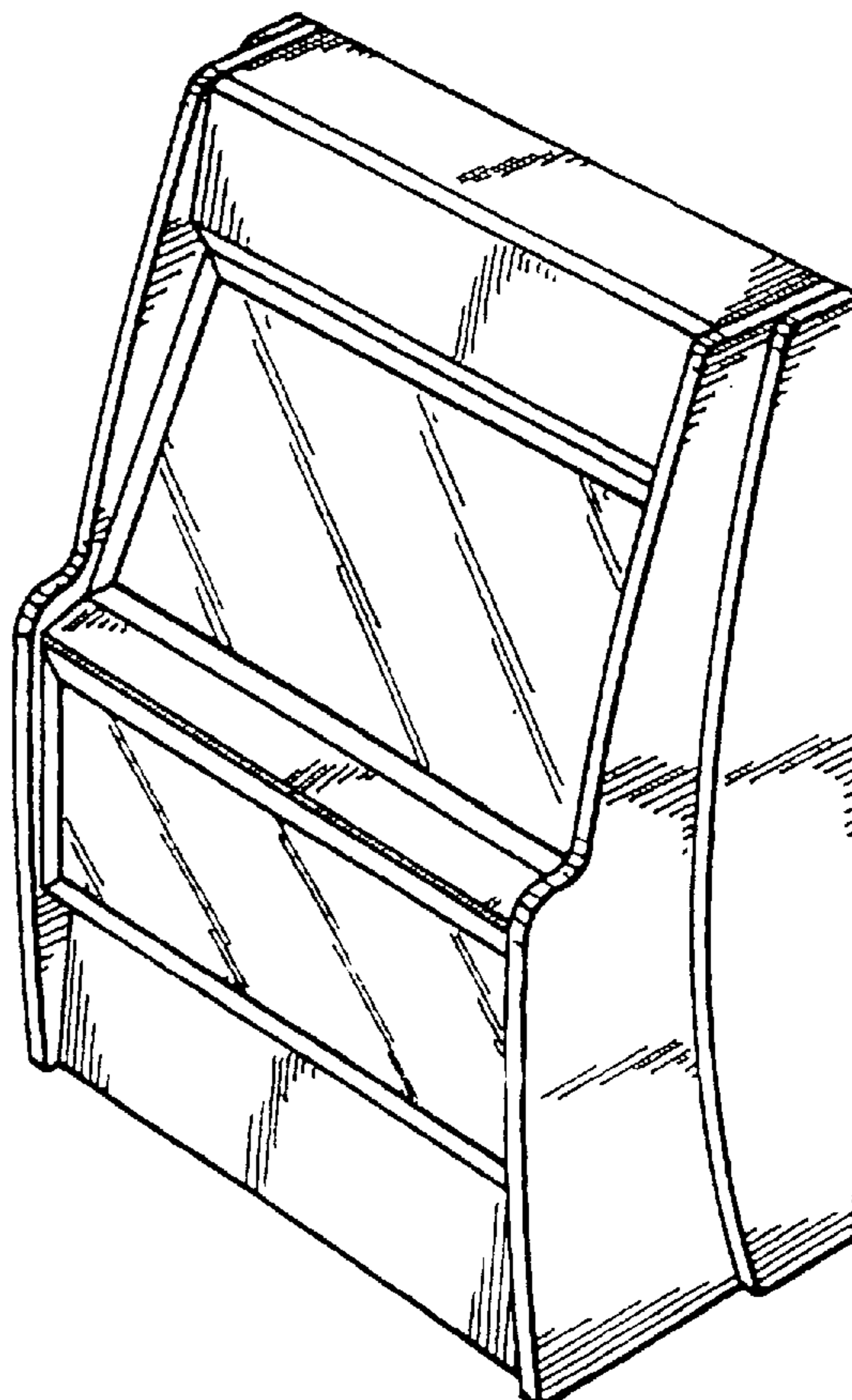
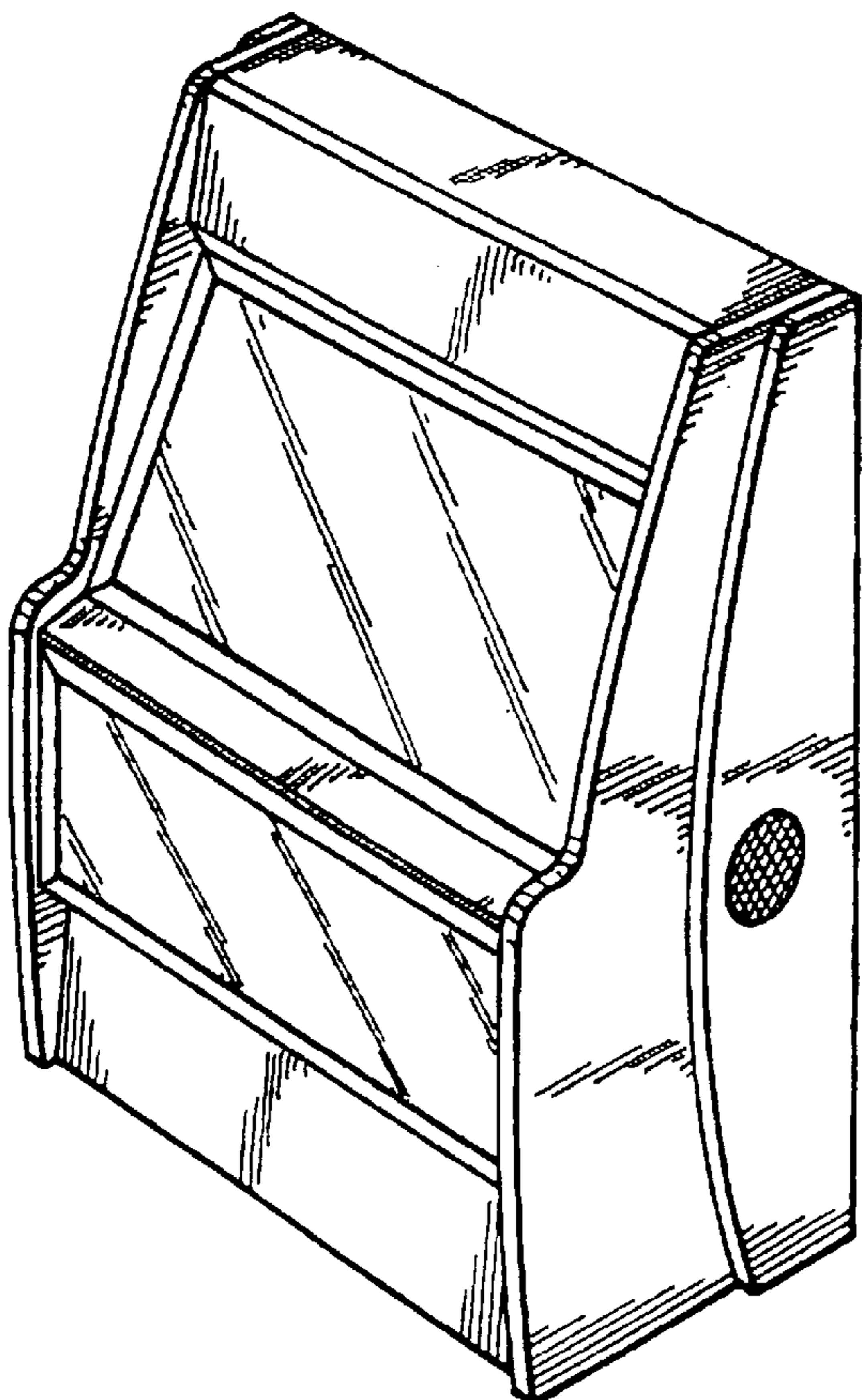


FIG. 1

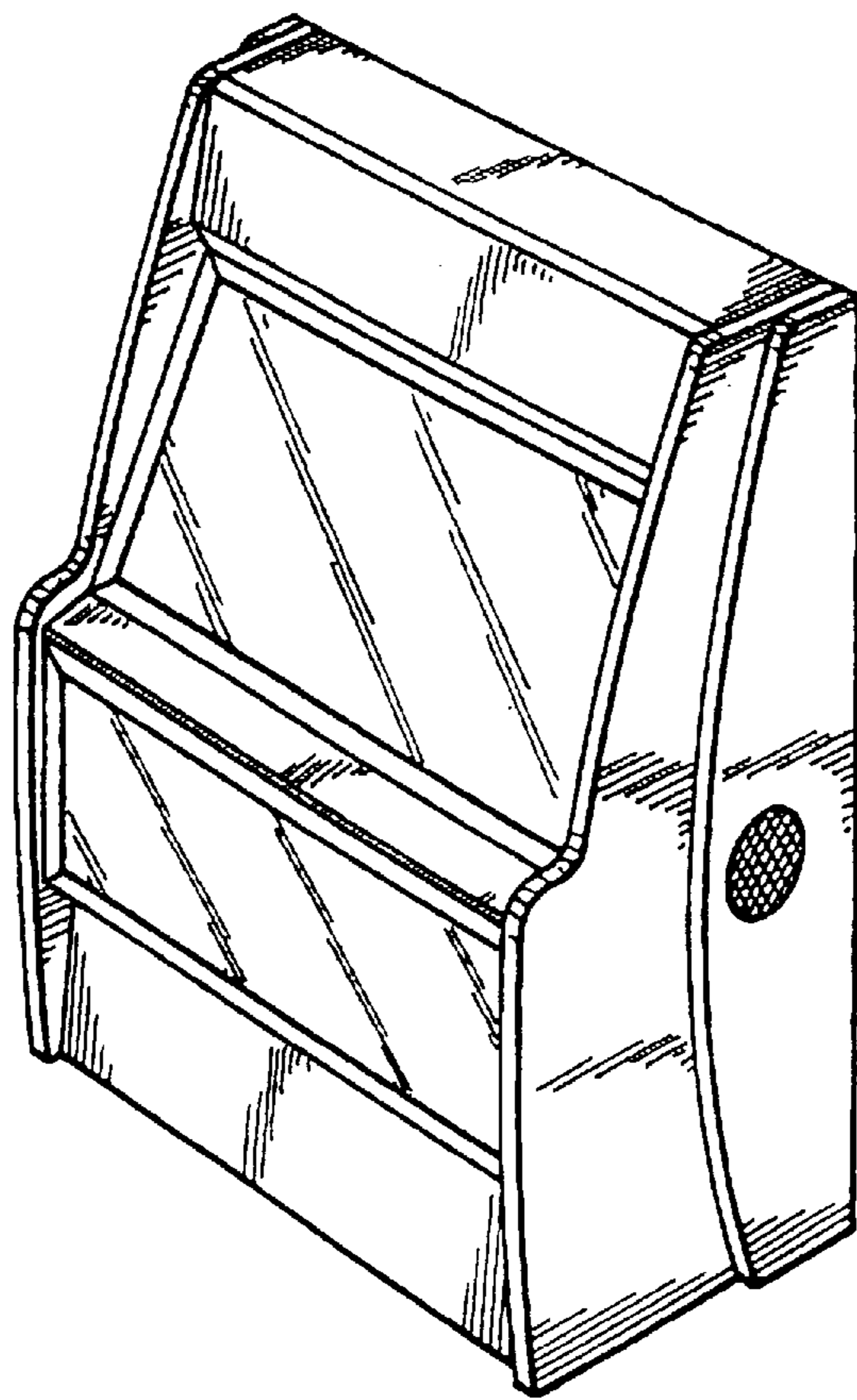


FIG. 2

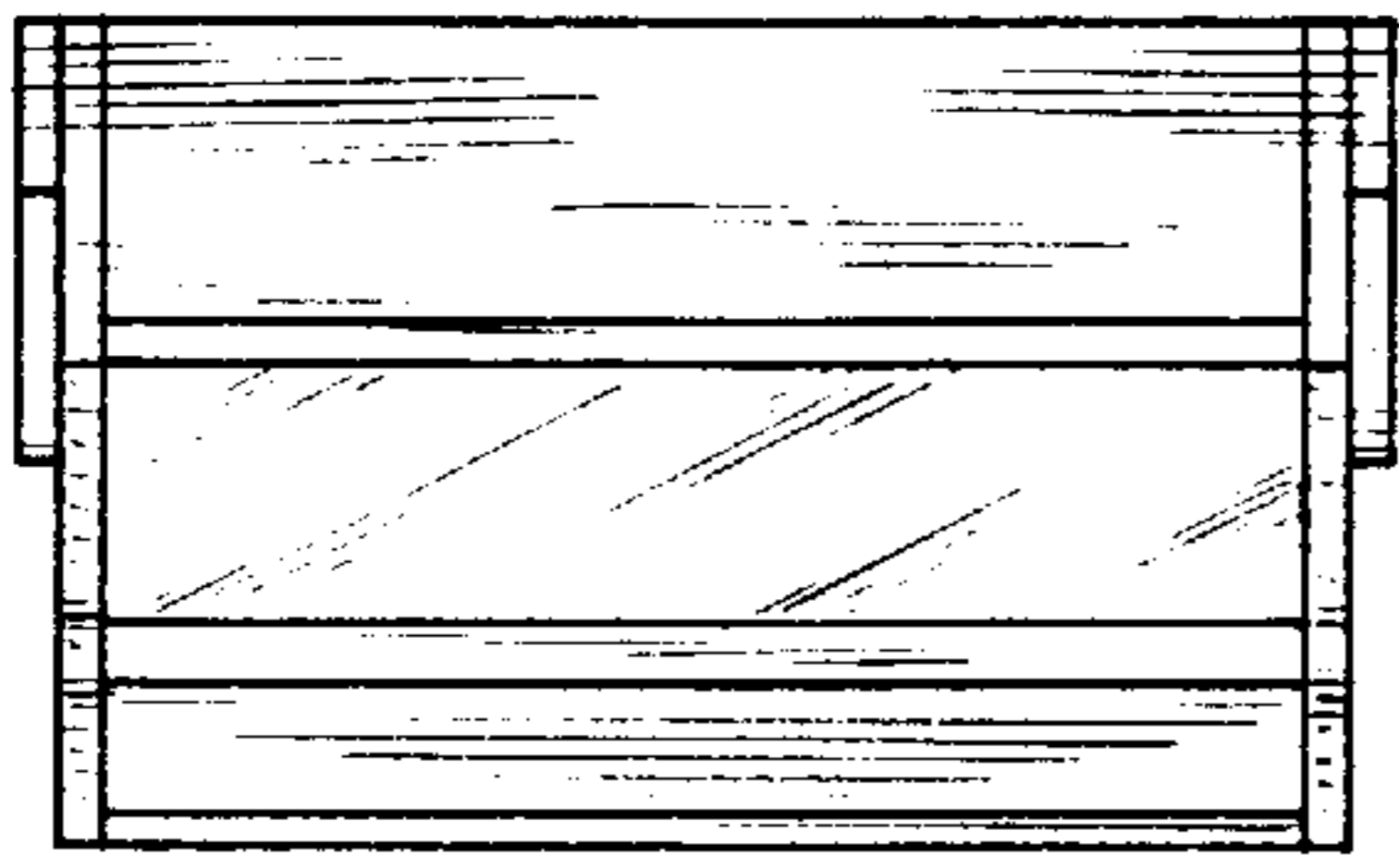


FIG. 3

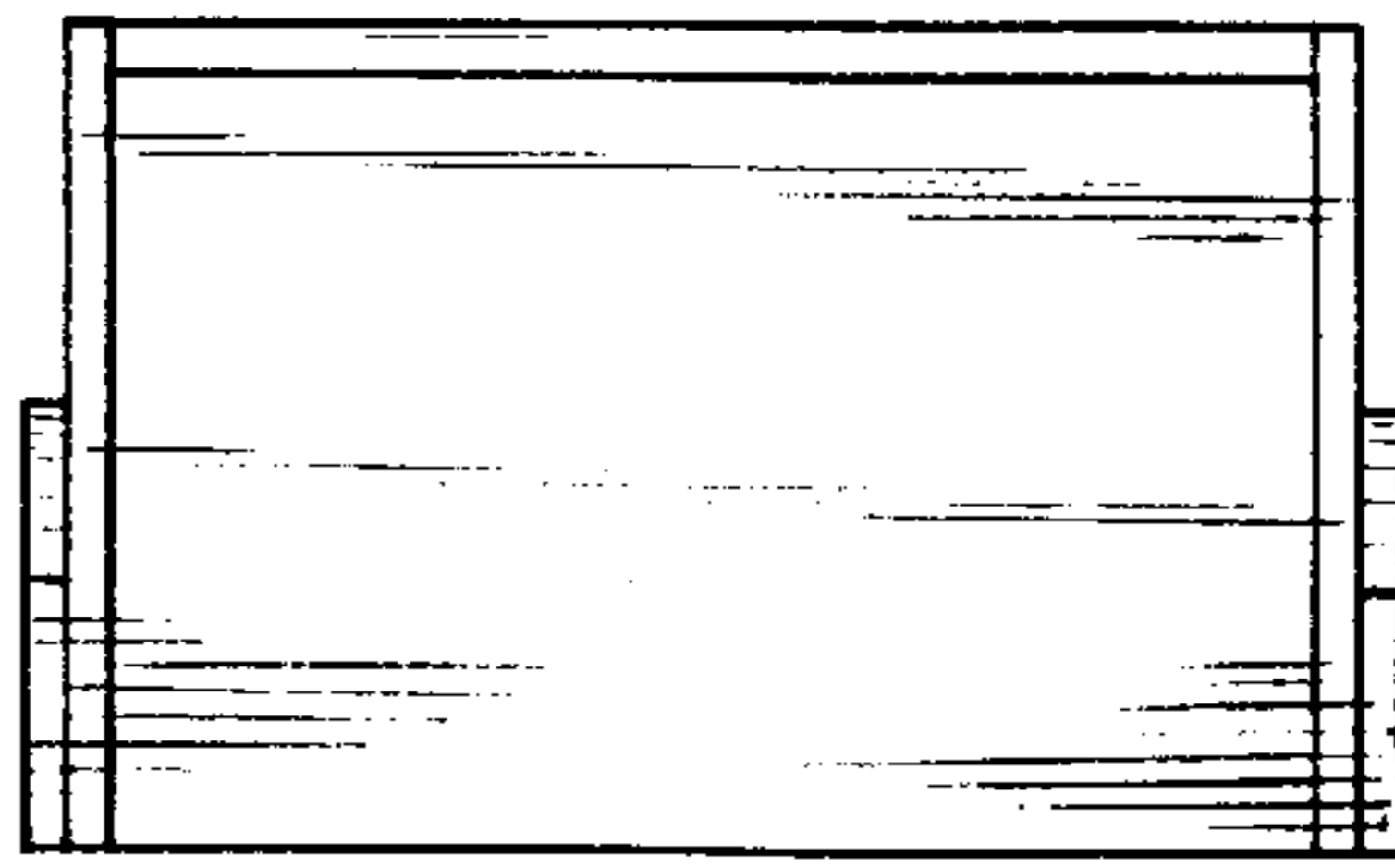


FIG. 4

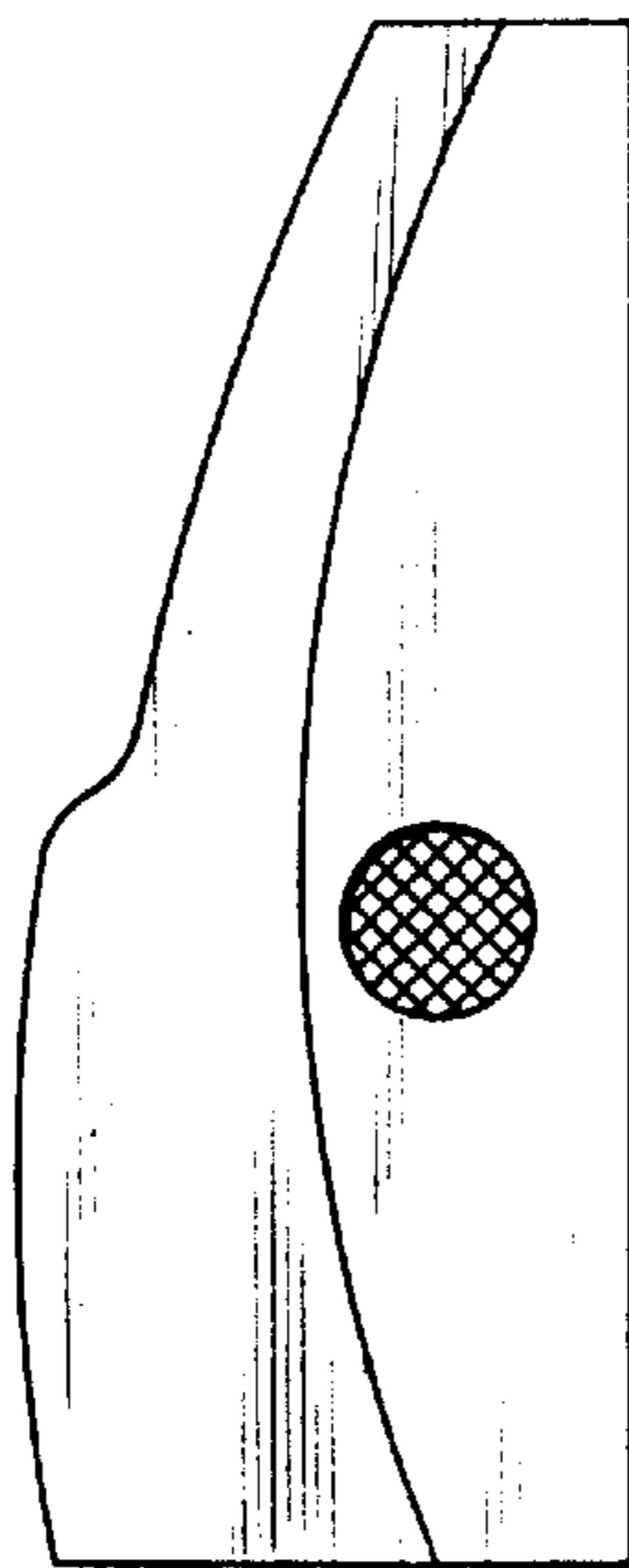


FIG. 5

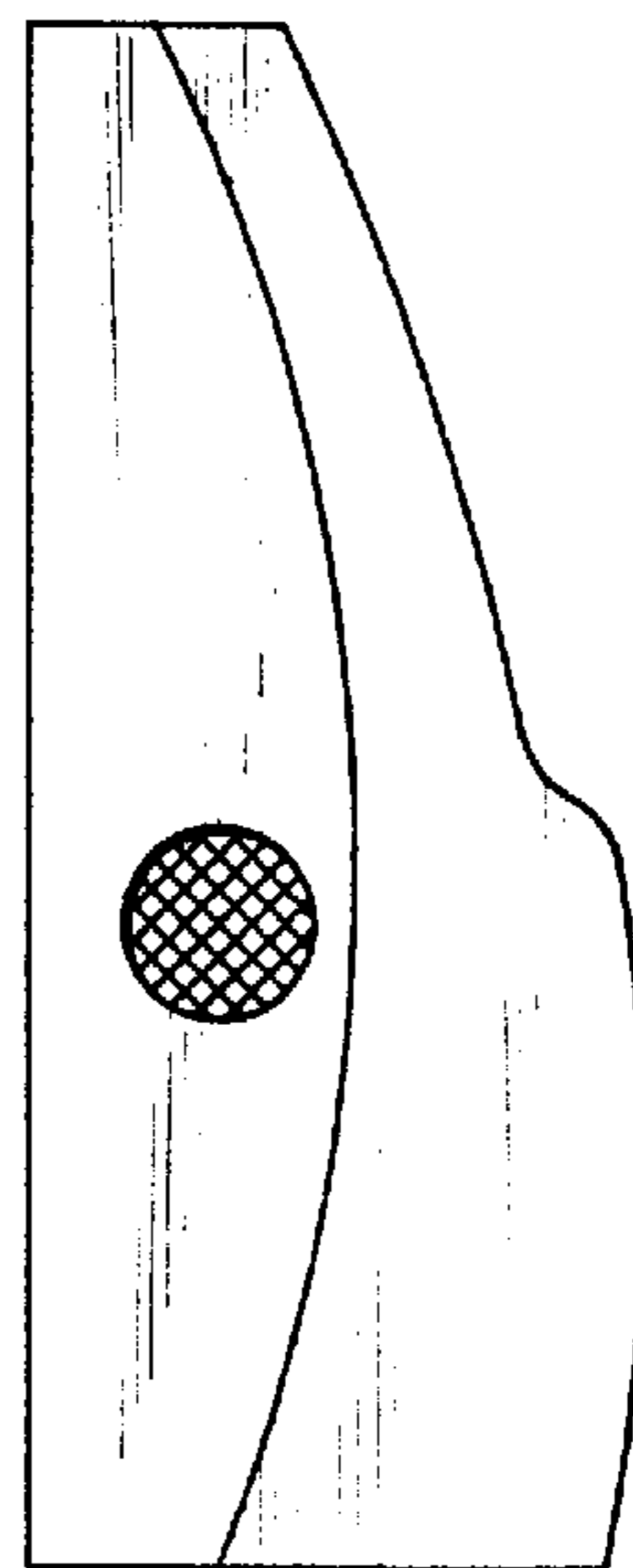


FIG. 6

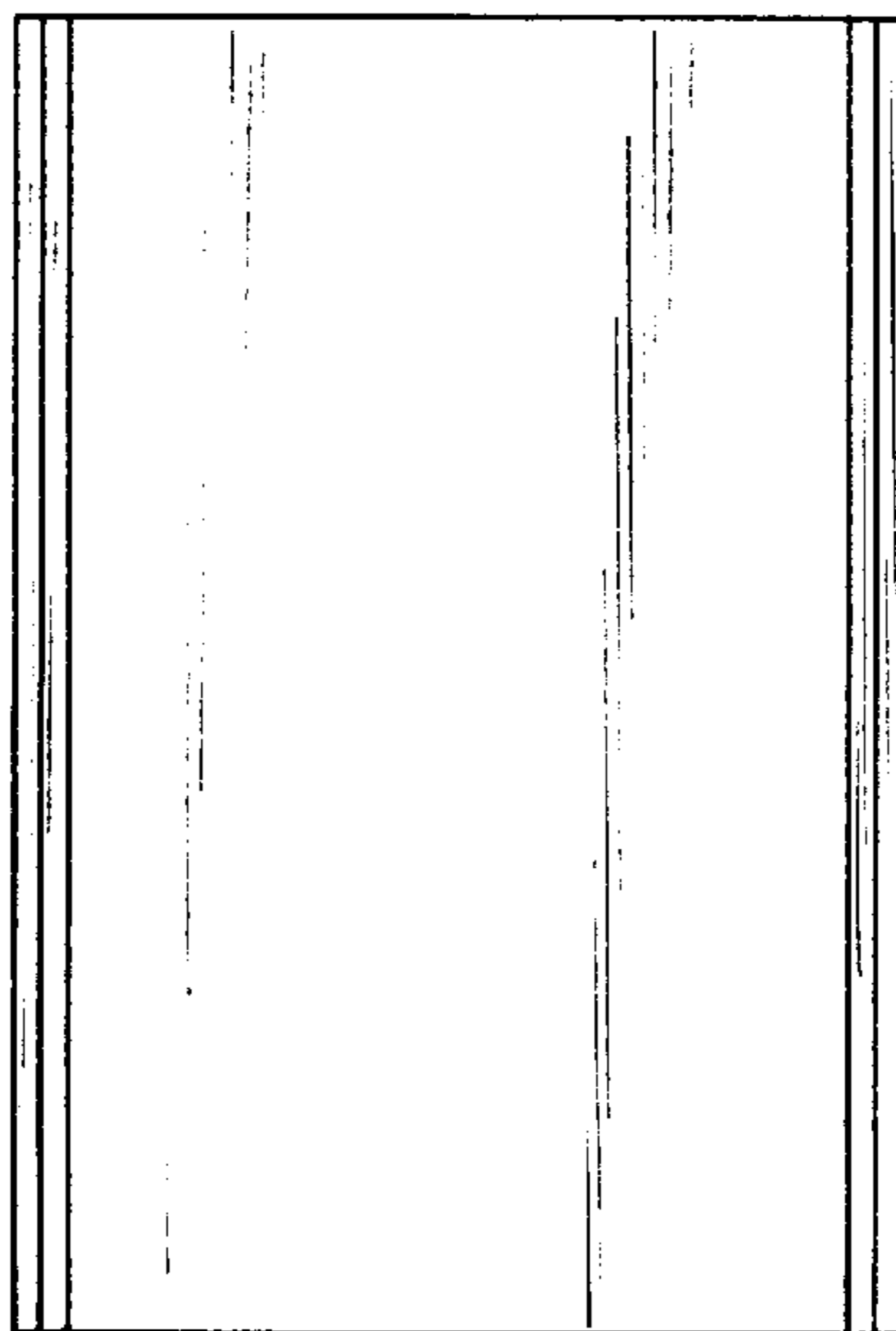


FIG. 7

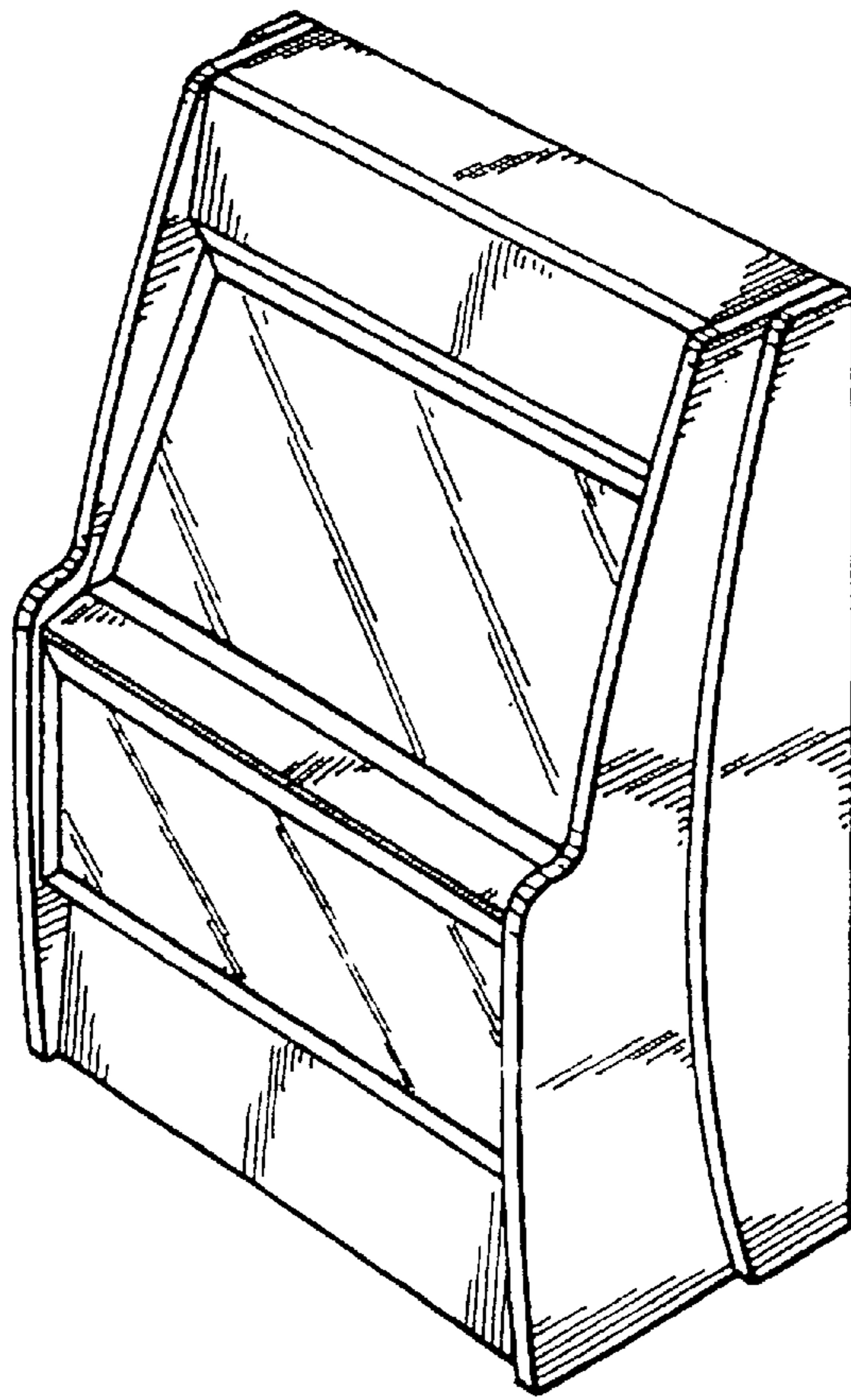


FIG. 8

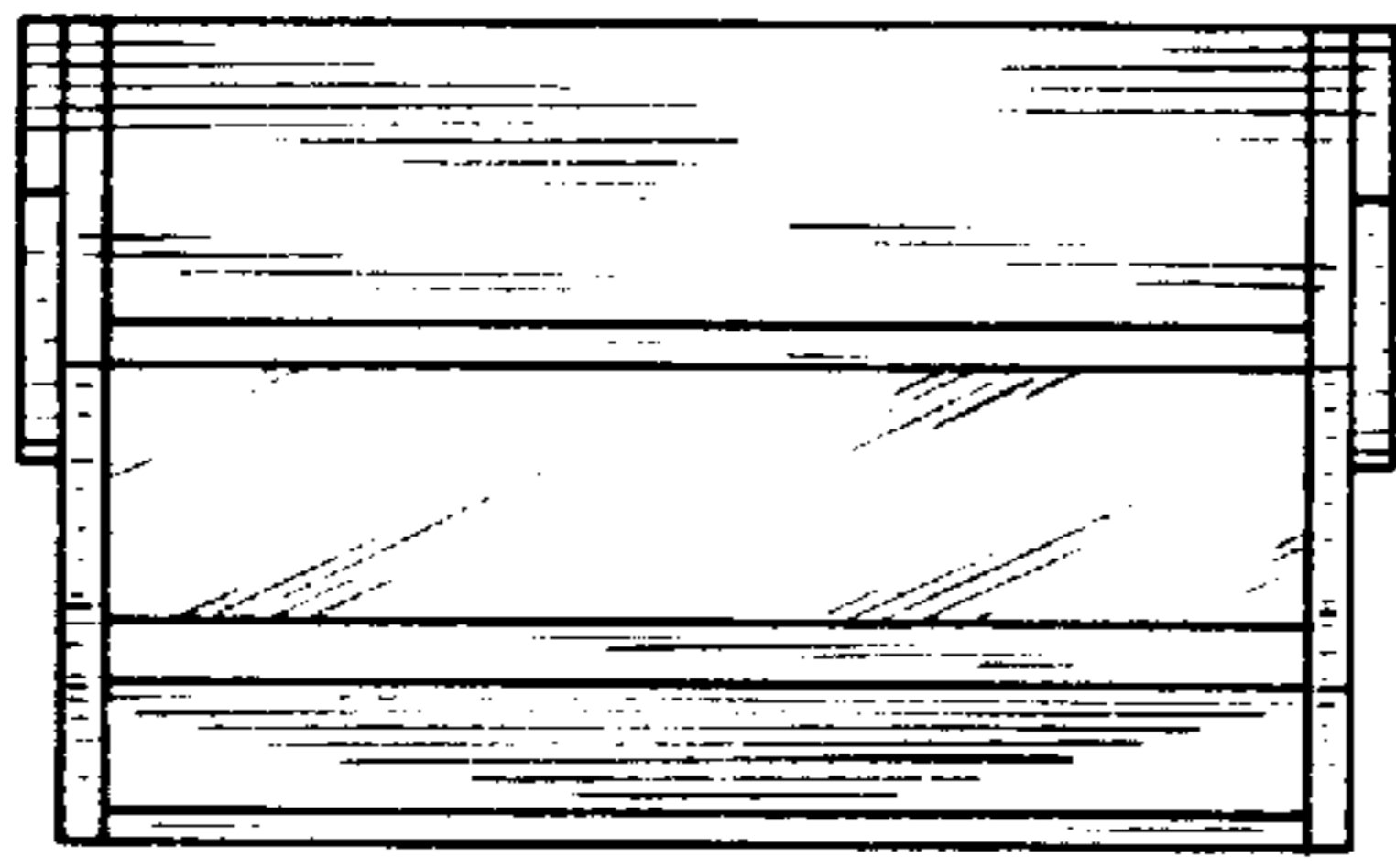


FIG. 9

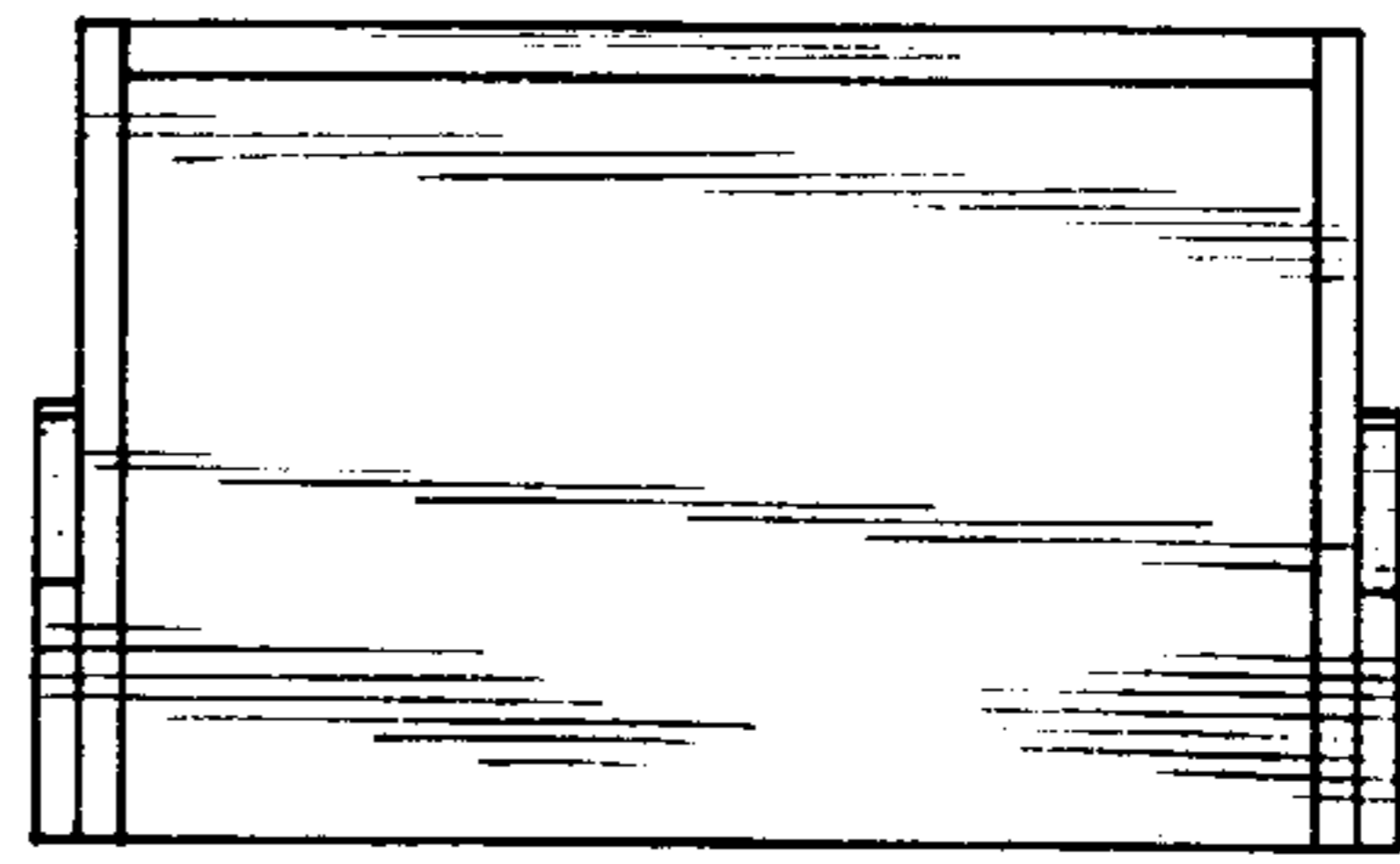


FIG. 10

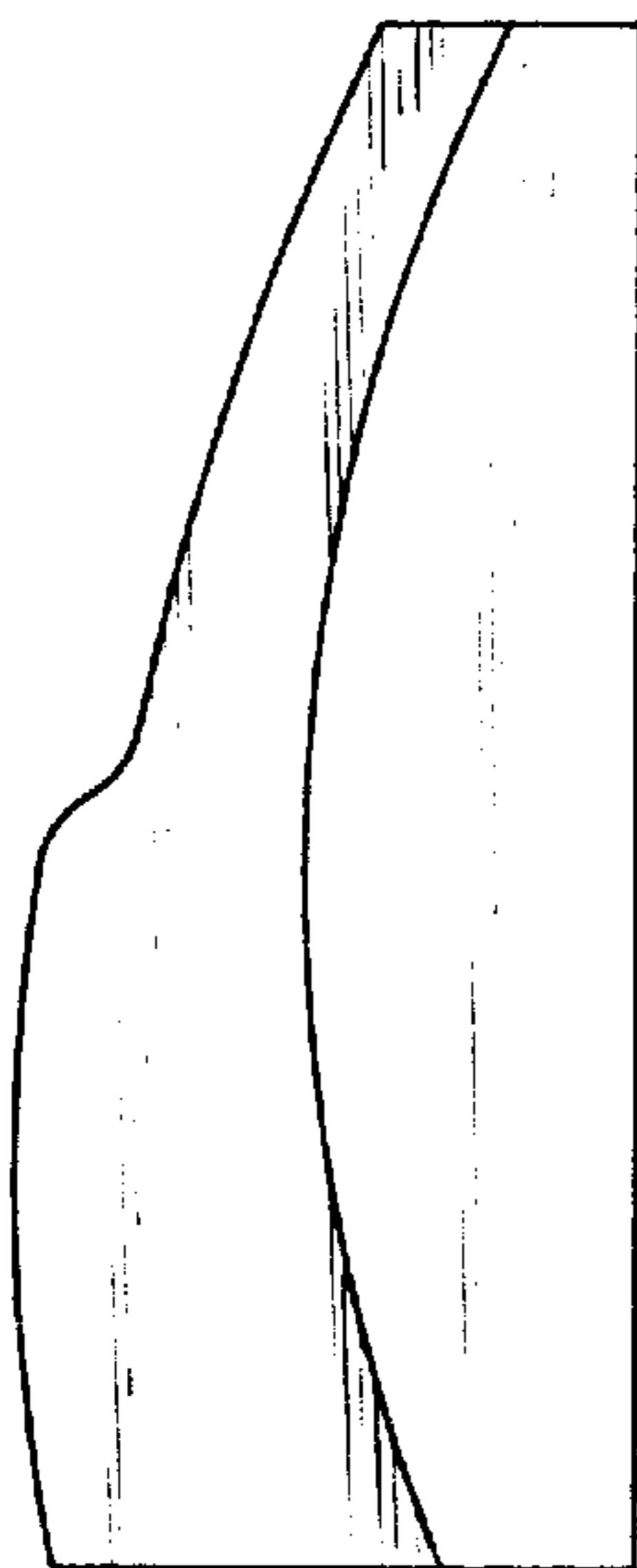


FIG. 11

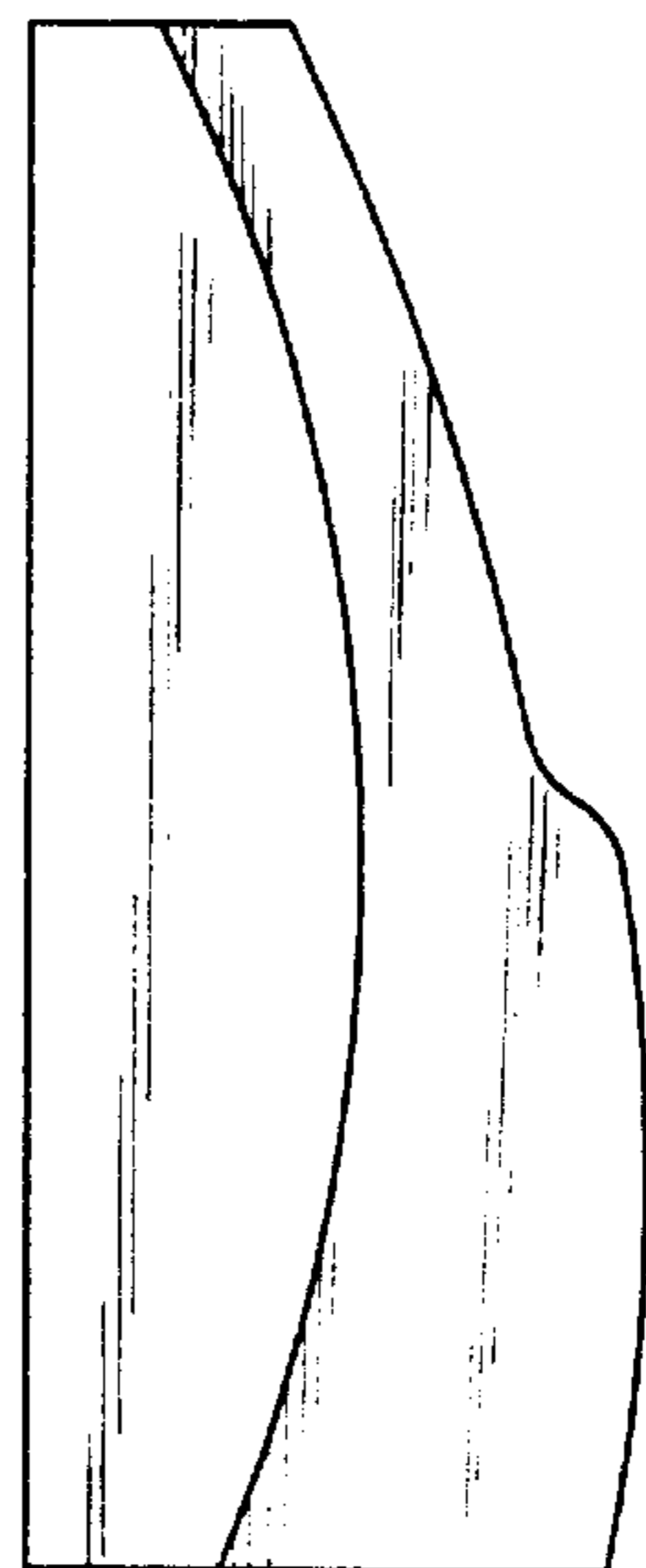


FIG. 12

