



US00D405789S

# United States Patent [19] Chan

[11] **Patent Number: Des. 405,789**

[45] **Date of Patent: \*\*Feb. 16, 1999**

[54] **RADIO WITH CASSETTE PLAYER**

[75] Inventor: **Kui-Wai Chan, Siu Lek Yuen, Hong Kong**

[73] Assignee: **Wai Hang Electronic Co., Ltd., Hong Kong**

[\*\*] Term: **14 Years**

[21] Appl. No.: **88,065**

[22] Filed: **May 14, 1998**

[51] **LOC (6) Cl. .... 14-01**

[52] **U.S. Cl. .... D14/163**

[58] **Field of Search** ..... D14/124, 160-165,  
D14/167-168, 188, 193-198; 455/344,  
347-351

[56] **References Cited**

**U.S. PATENT DOCUMENTS**

D. 315,159 3/1991 Hino ..... D14/163

D. 318,667 7/1991 Ikeyama et al. .... D14/165  
D. 347,430 5/1994 Uchiyama et al. .... D14/163 X  
D. 350,959 9/1994 Sumikawa ..... D14/163

*Primary Examiner*—Ted Shooman  
*Assistant Examiner*—Nanda Bondade  
*Attorney, Agent, or Firm*—Samuels, Gauthier & Stevens

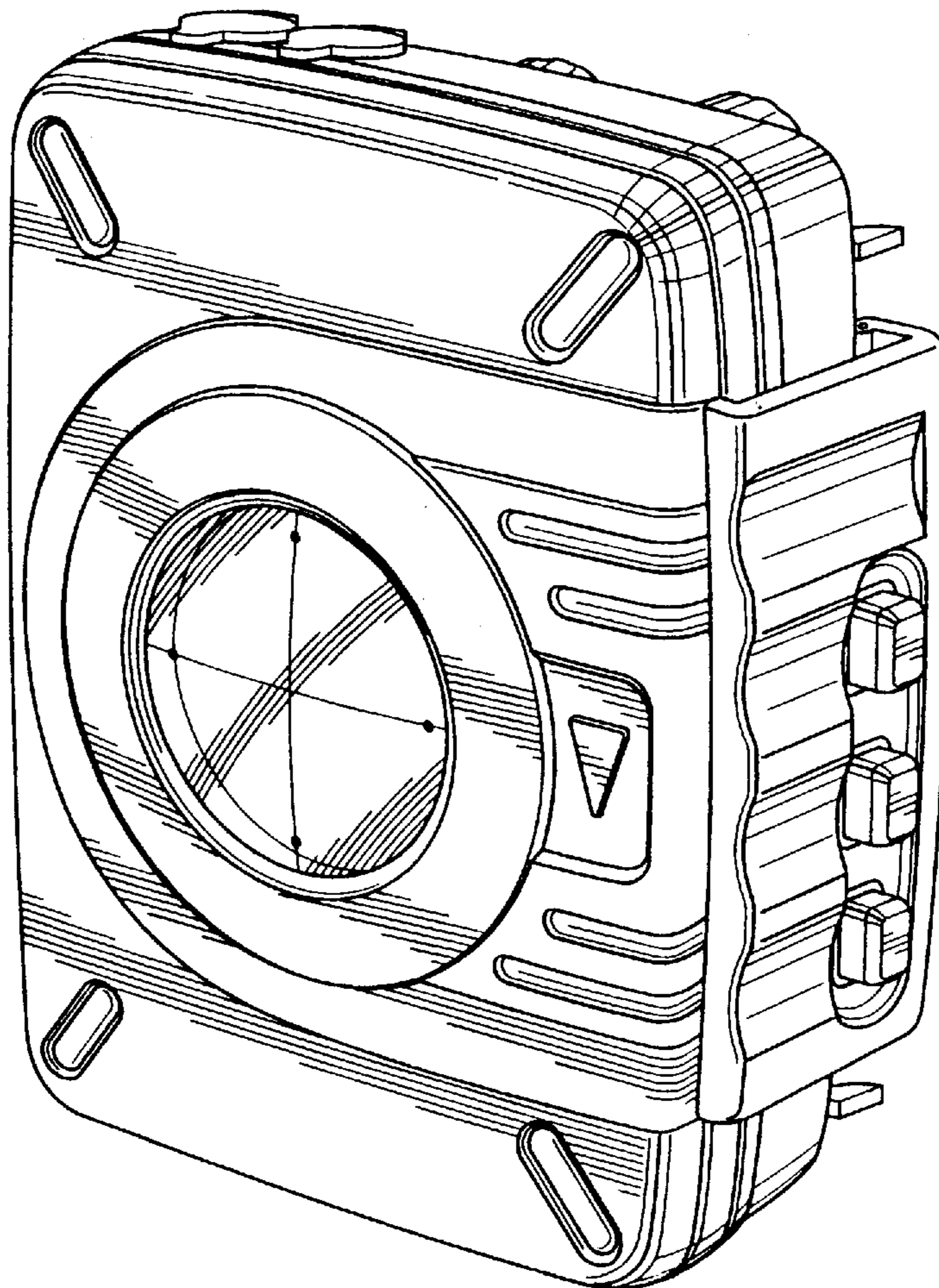
[57] **CLAIM**

The ornamental design for a “radio with cassette player”, as shown and described.

**DESCRIPTION**

FIG. 1 is the front perspective view showing my new design; FIG. 2 is the front view thereof; FIG. 3 is the rear view thereof; FIG. 4 is the left-hand view thereof; FIG. 5 is the right-hand view thereof; FIG. 6 is the top view thereof; and, FIG. 7 is the bottom view thereof.

**1 Claim, 4 Drawing Sheets**



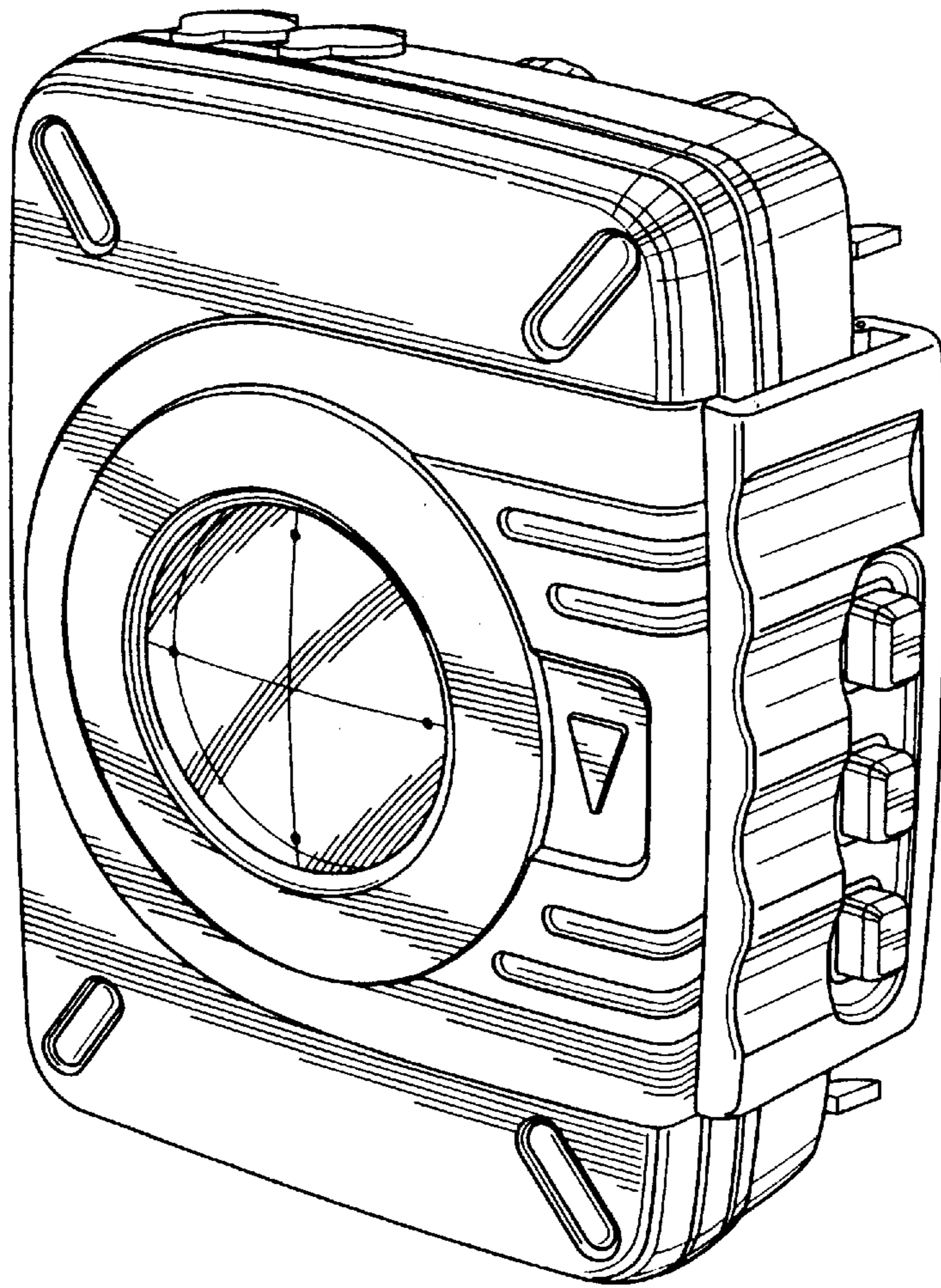


FIG. 1

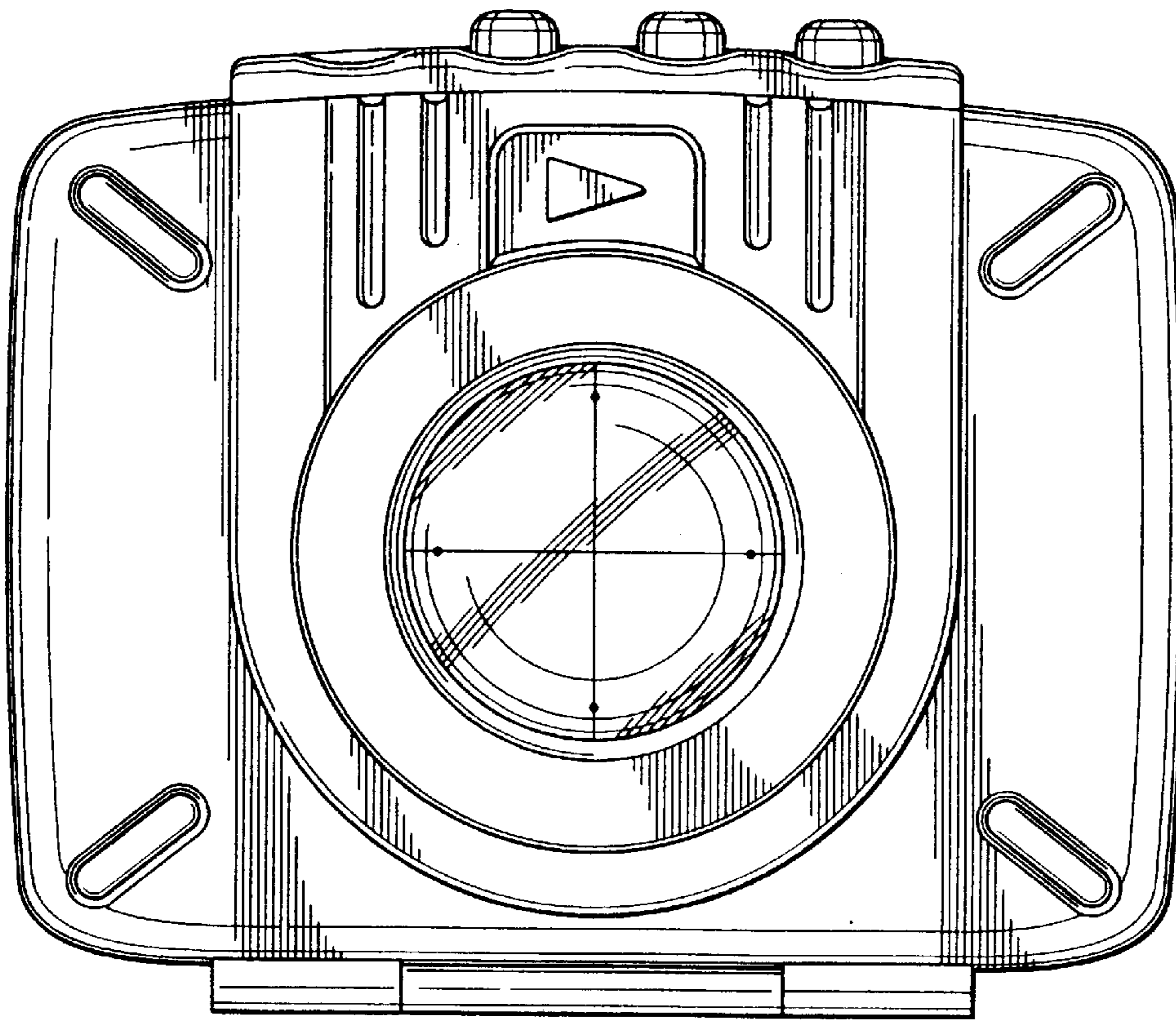


FIG. 2

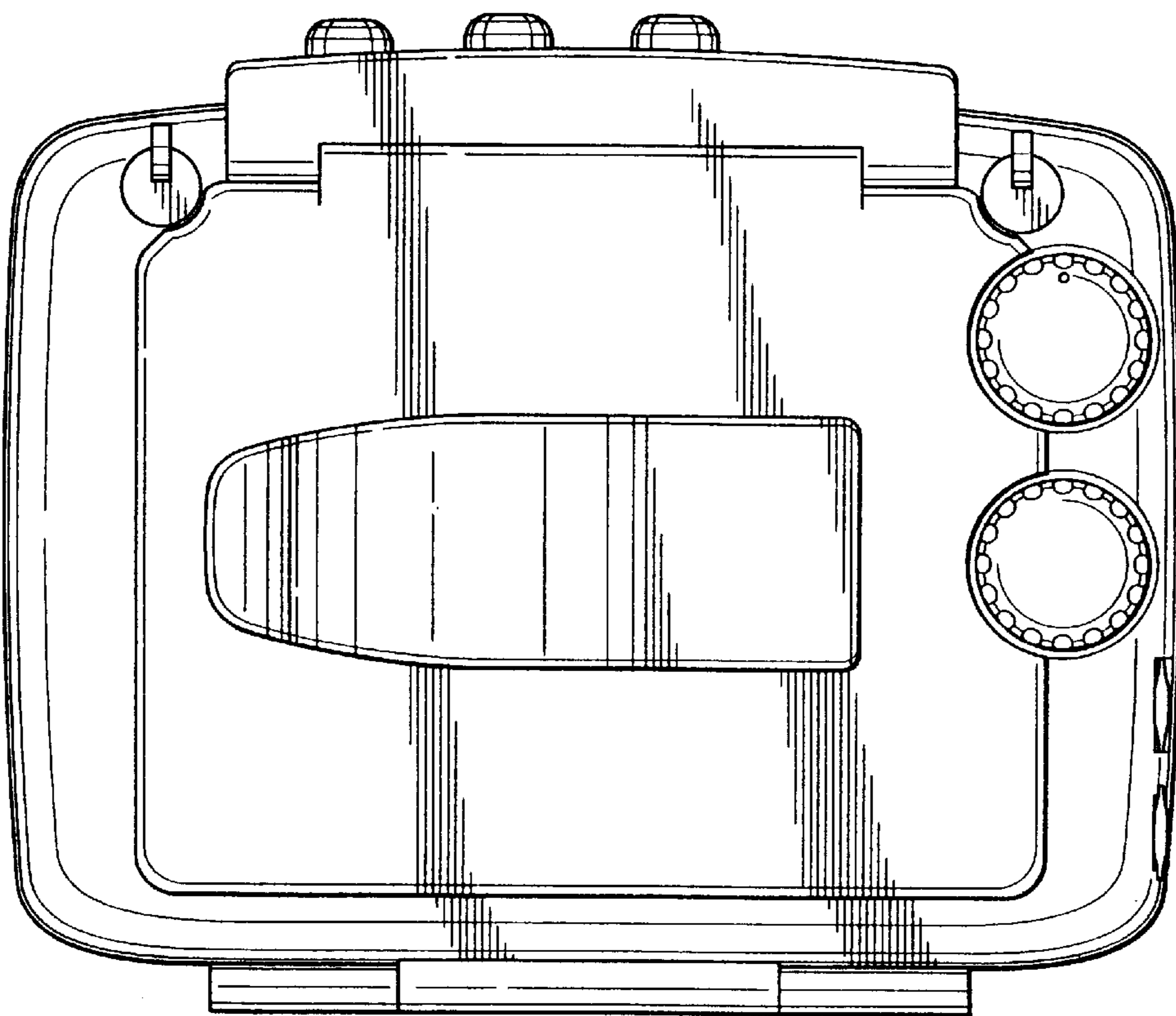


FIG. 3

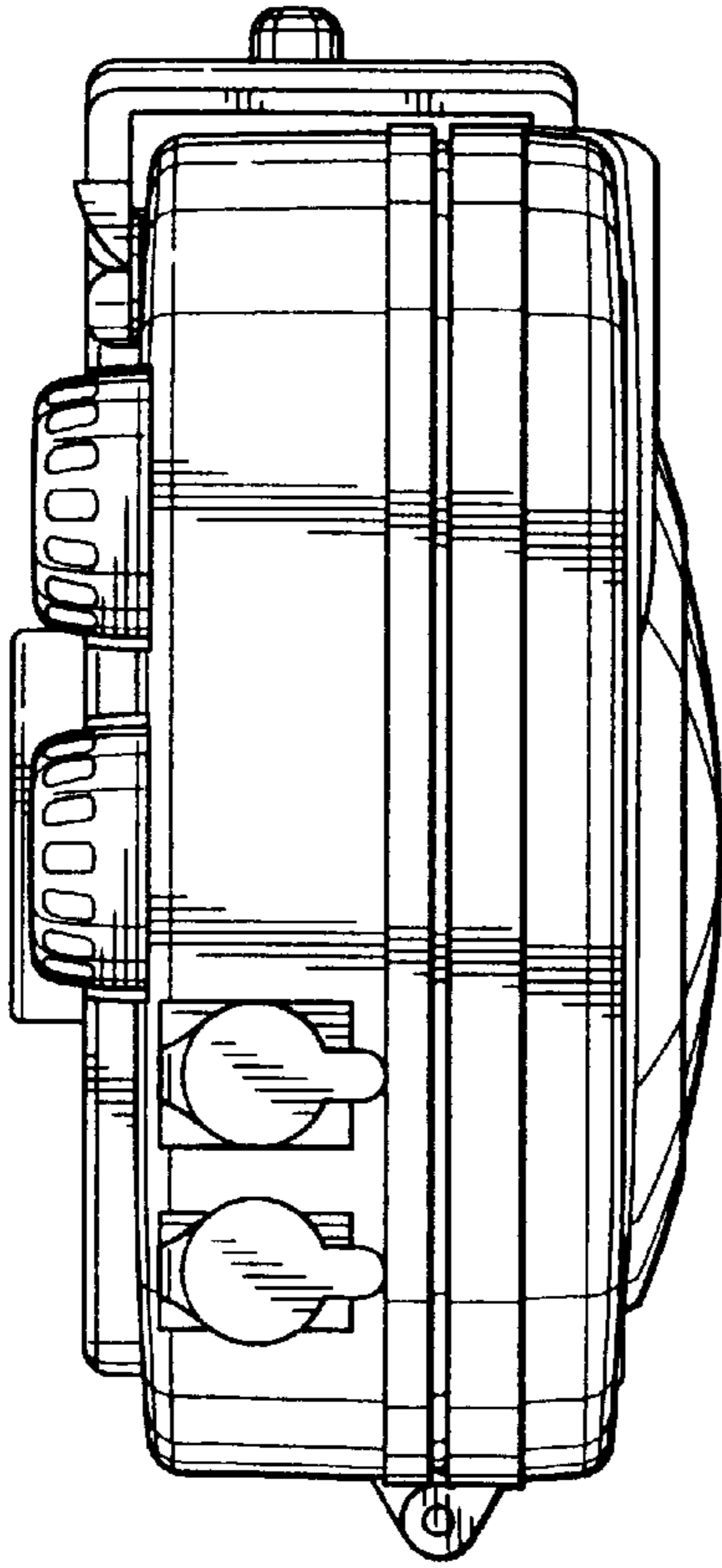


FIG. 4

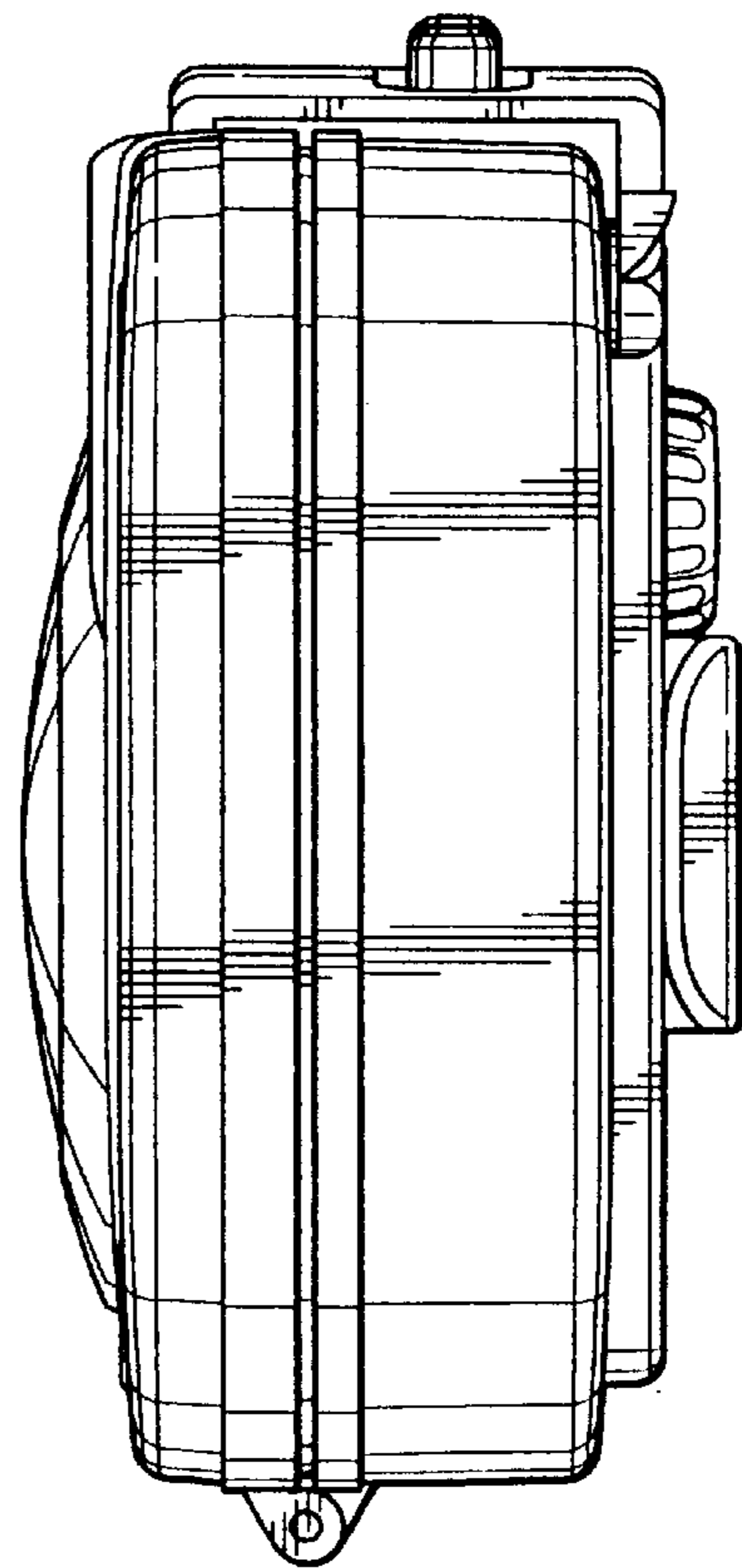


FIG. 5

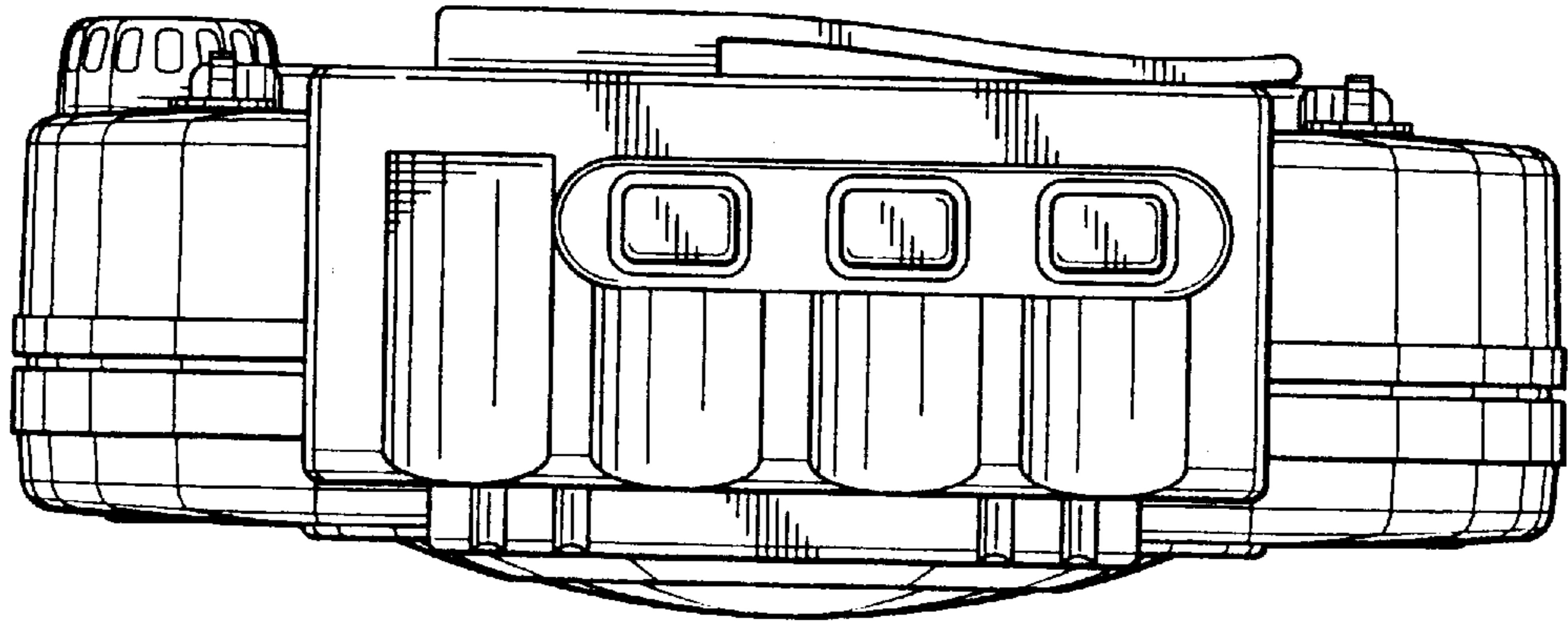


FIG. 6

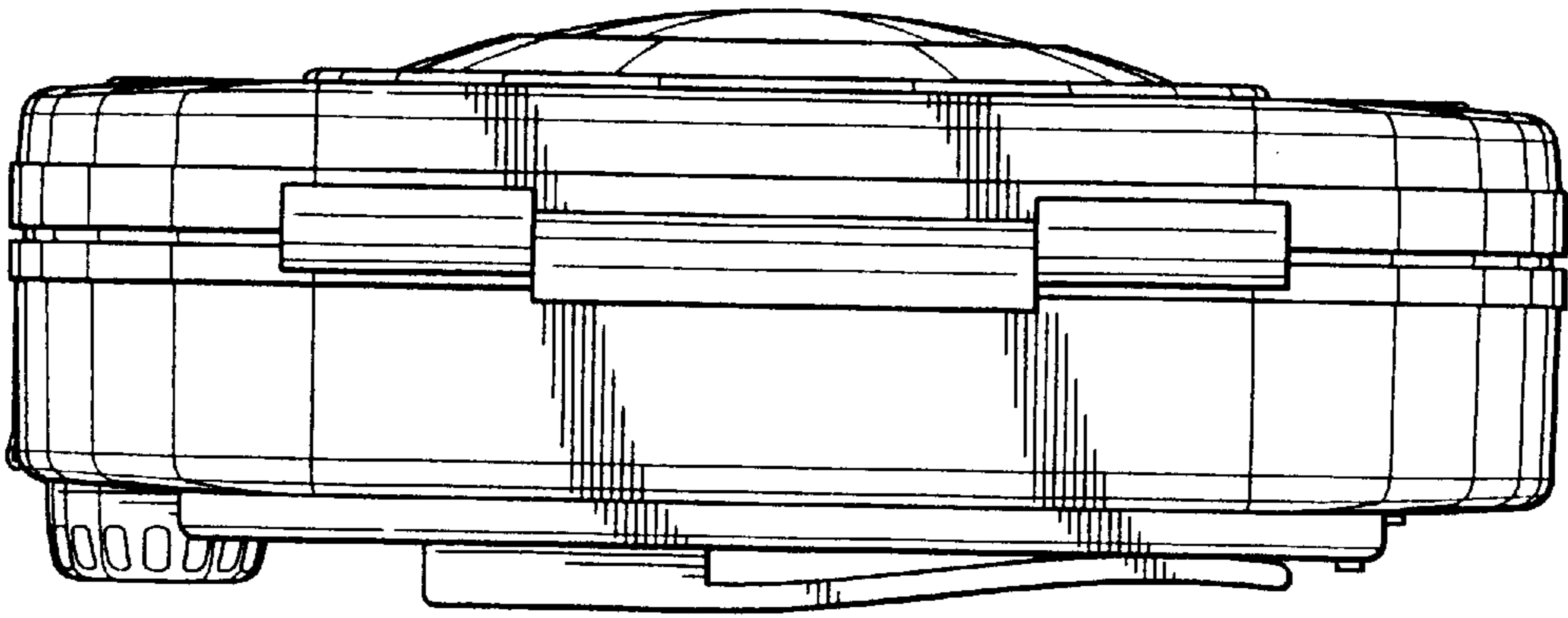


FIG. 7