



US00D405780S

United States Patent [19] Smith

[11] **Patent Number: Des. 405,780**

[45] **Date of Patent: **Feb. 16, 1999**

[54] **COMPUTER GAME**

[76] Inventor: **Lee Smith**, 776 S. Military Trail,
Deerfield Beach, Fla. 33442

[**] Term: **14 Years**

[21] Appl. No.: **84,240**

[22] Filed: **Feb. 27, 1998**

[51] **LOC (6) Cl.** **21-01**

[52] **U.S. Cl.** **D14/117.9; D21/324**

[58] **Field of Search** **D21/324, 329;**
D14/117.1, 117.9, 117.5; 273/148 B; 463/1,
29-35, 46, 47, 38

[56] **References Cited**

U.S. PATENT DOCUMENTS

D. 353,162	12/1994	Chan	D14/117.9
D. 368,936	4/1996	Goto	D14/117.9
D. 376,826	12/1996	Ashida	D14/117.1
D. 377,057	12/1996	Lee	D14/117.9
5,207,426	5/1993	Inoue et al.	273/148 B
5,213,327	5/1993	Kitaue	463/46 X

OTHER PUBLICATIONS

Playthings, inside front cover, Aug. 1981.

Primary Examiner—Prabhakar G. Deshmukh
Attorney, Agent, or Firm—Myron Amer PC

[57] **CLAIM**

The ornamental design for an improved computer game, as shown and described.

DESCRIPTION

FIG. 1 is a perspective view of an improved computer game showing showing my new design;

FIG. 2 is a plan view thereof;

FIG. 3 is a front elevational view thereof;

FIG. 4 is a left side elevational view thereof;

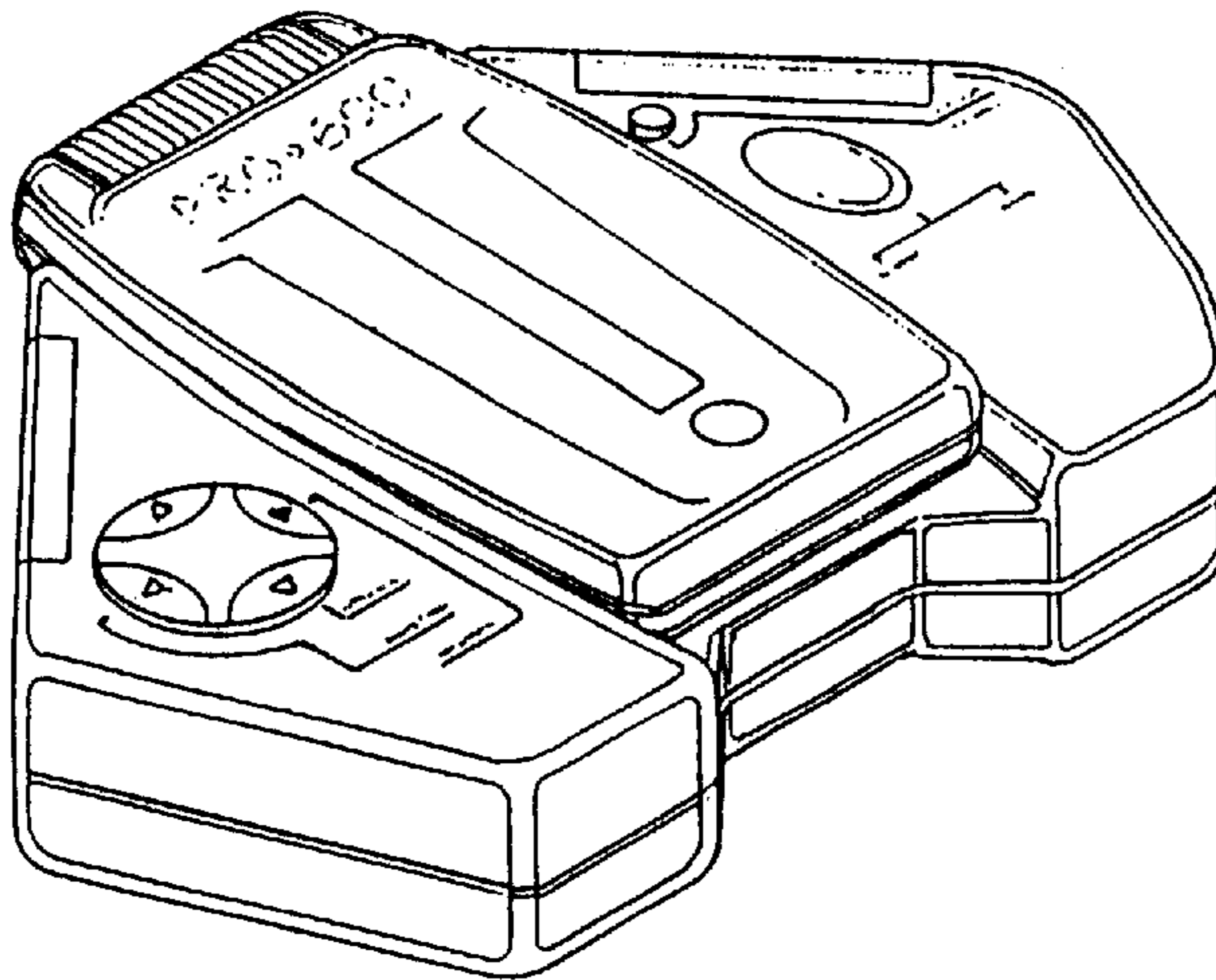
FIG. 5 is a bottom view thereof;

FIG. 6 is a rear view thereof; and,

FIG. 7 is a right side elevational view thereof.

The broken lines in FIGS. 1 and 2 are for illustrative purpose only and forms no part of the claim.

1 Claim, 1 Drawing Sheet



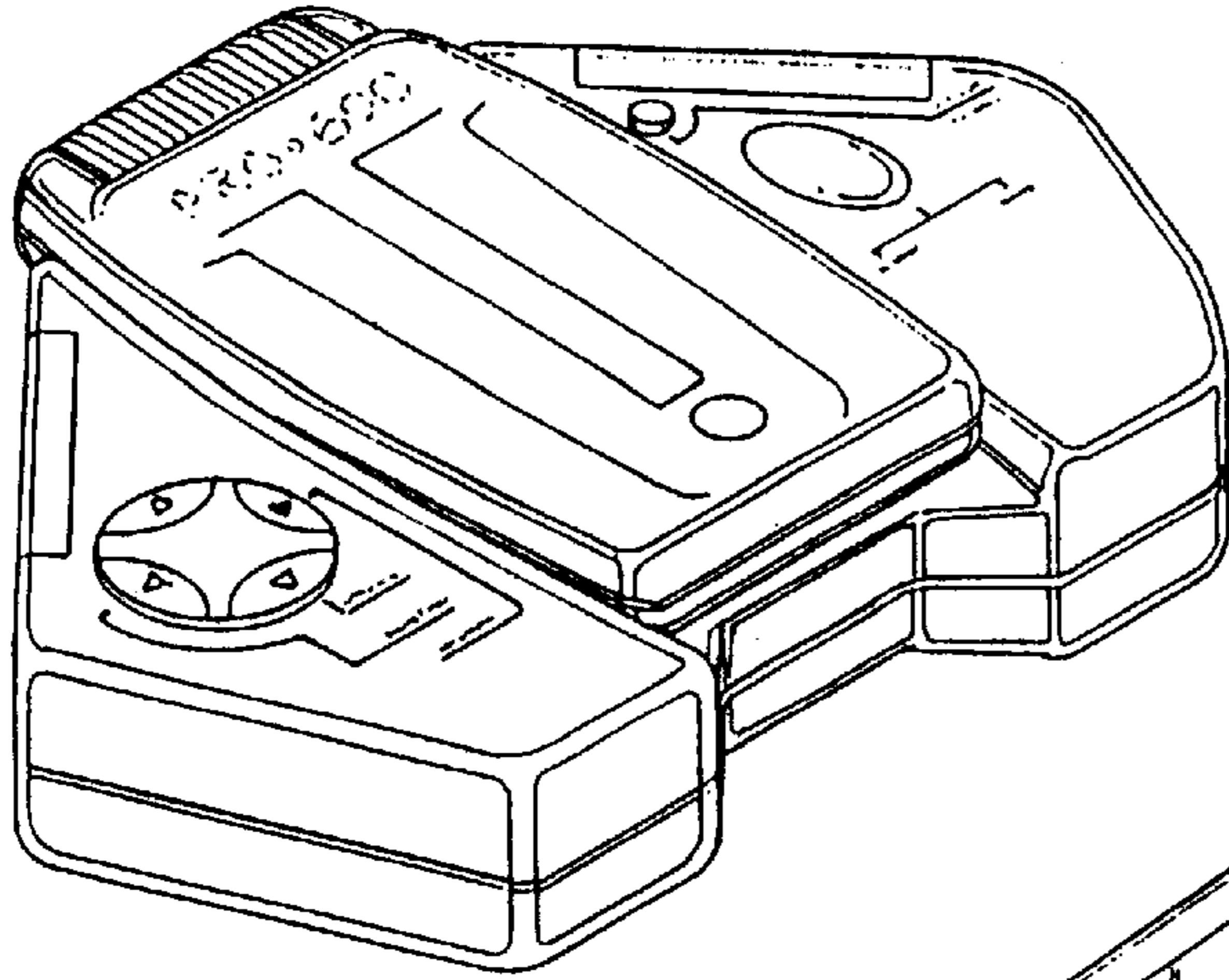


FIG. 1

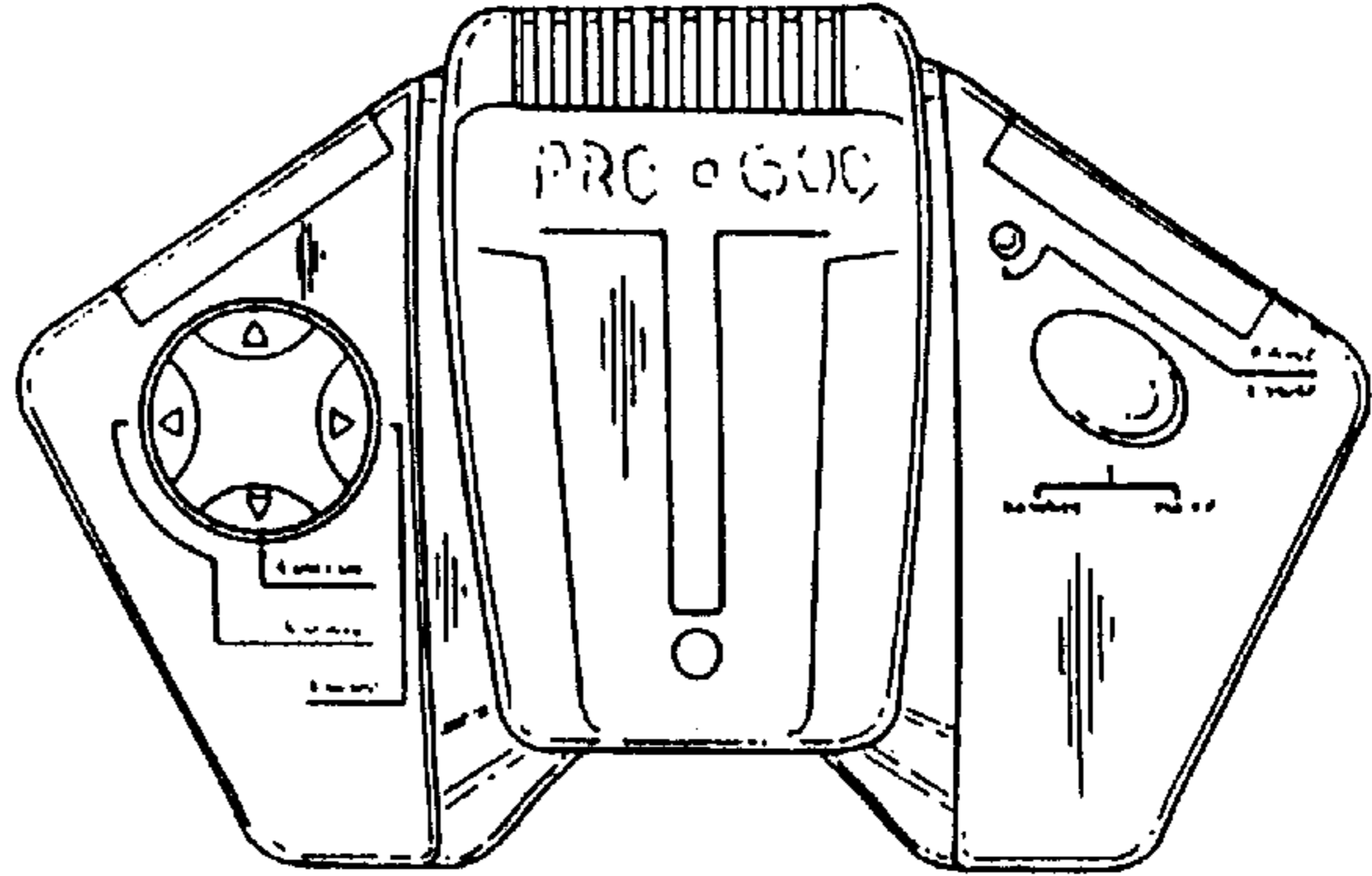


FIG. 2

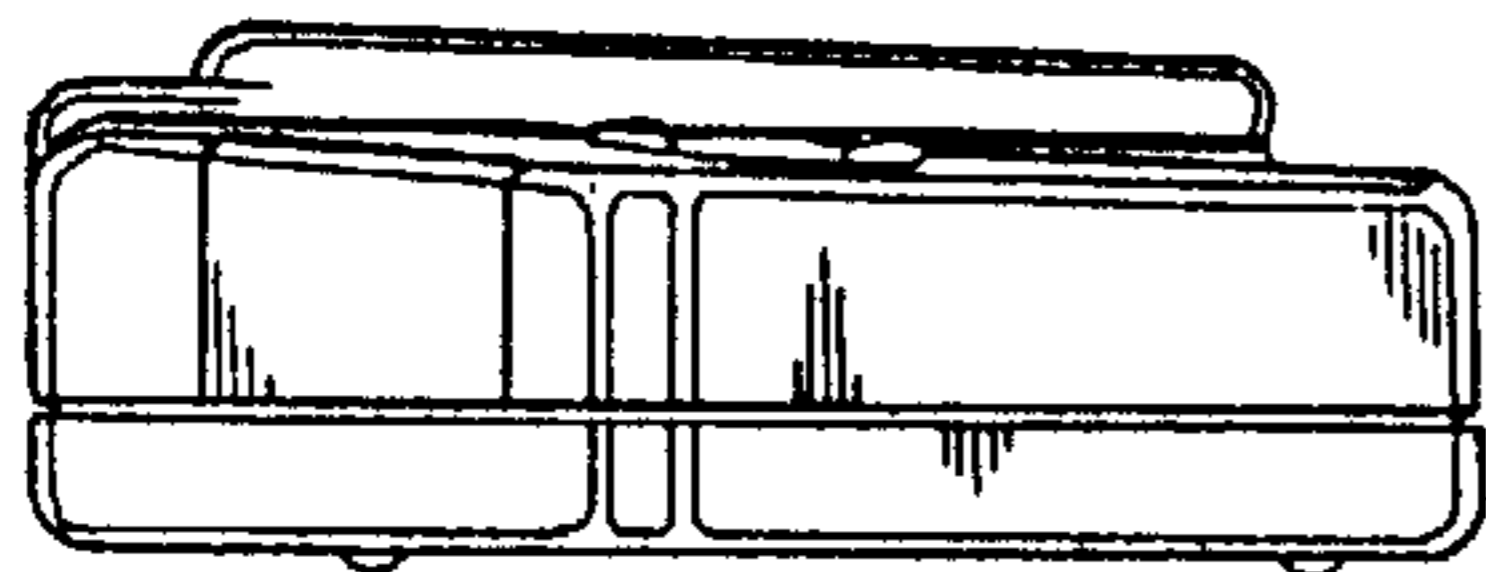


FIG. 4

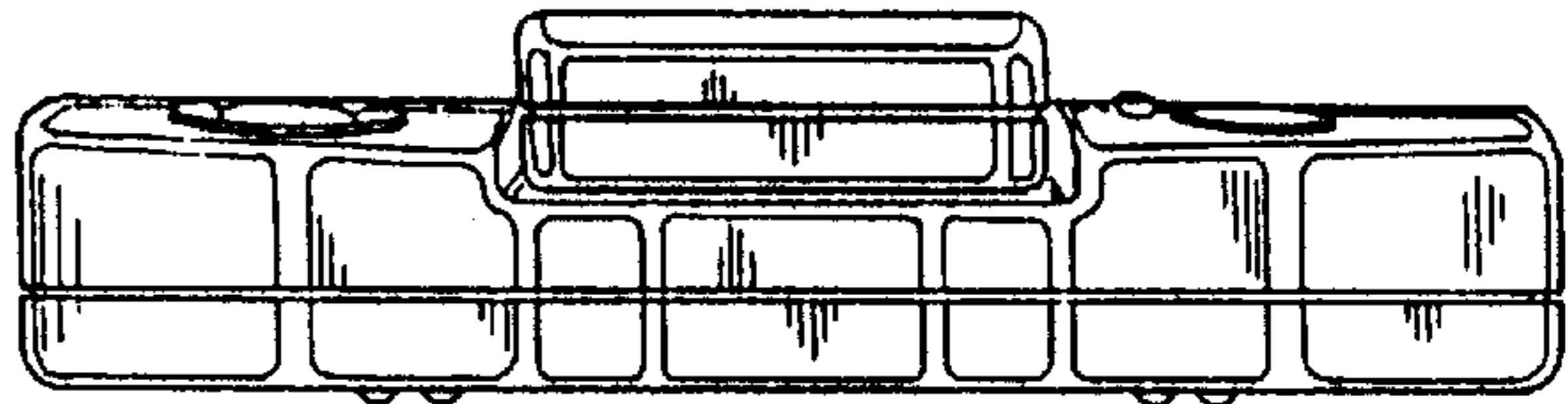


FIG. 3

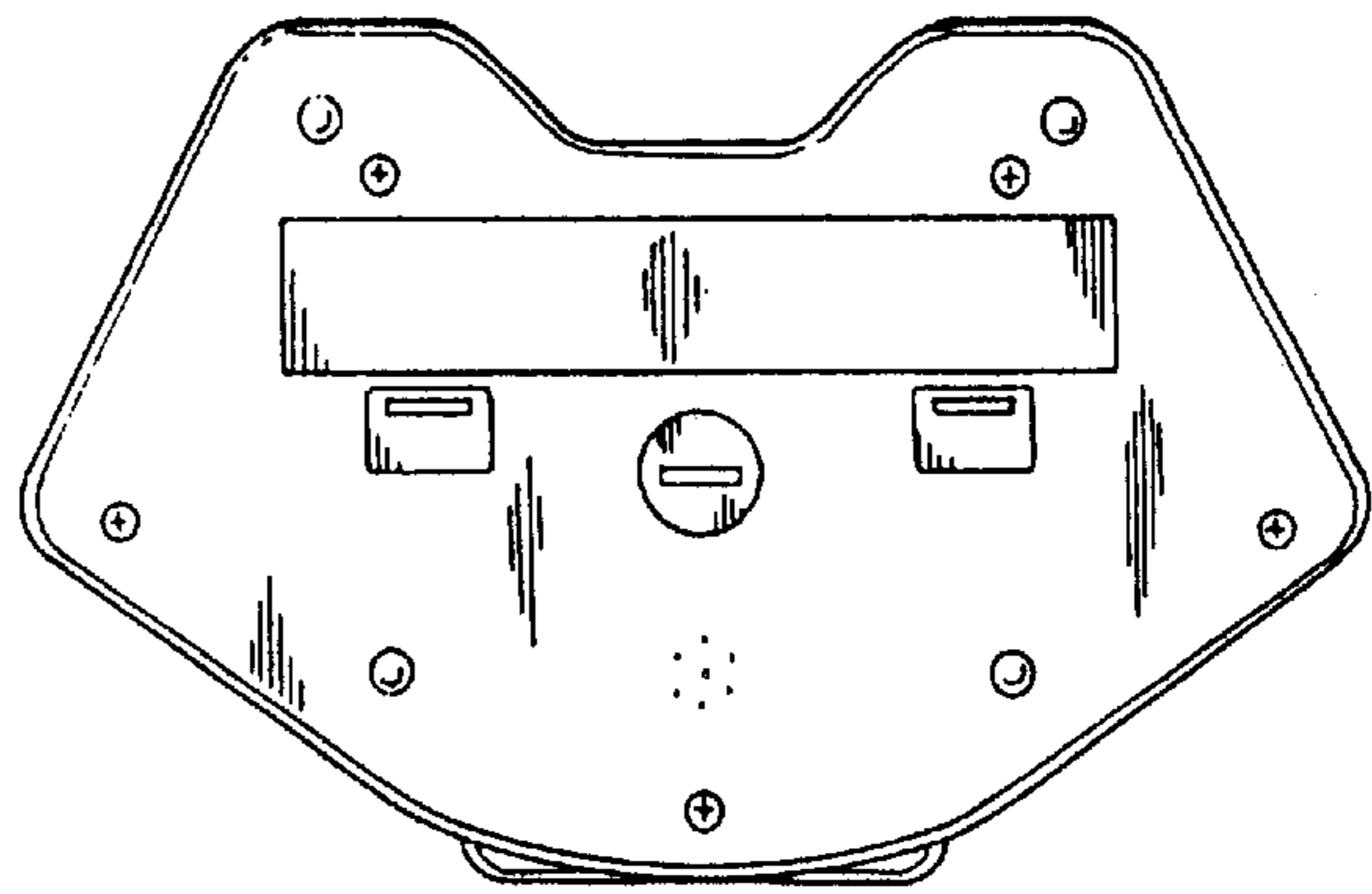


FIG. 5

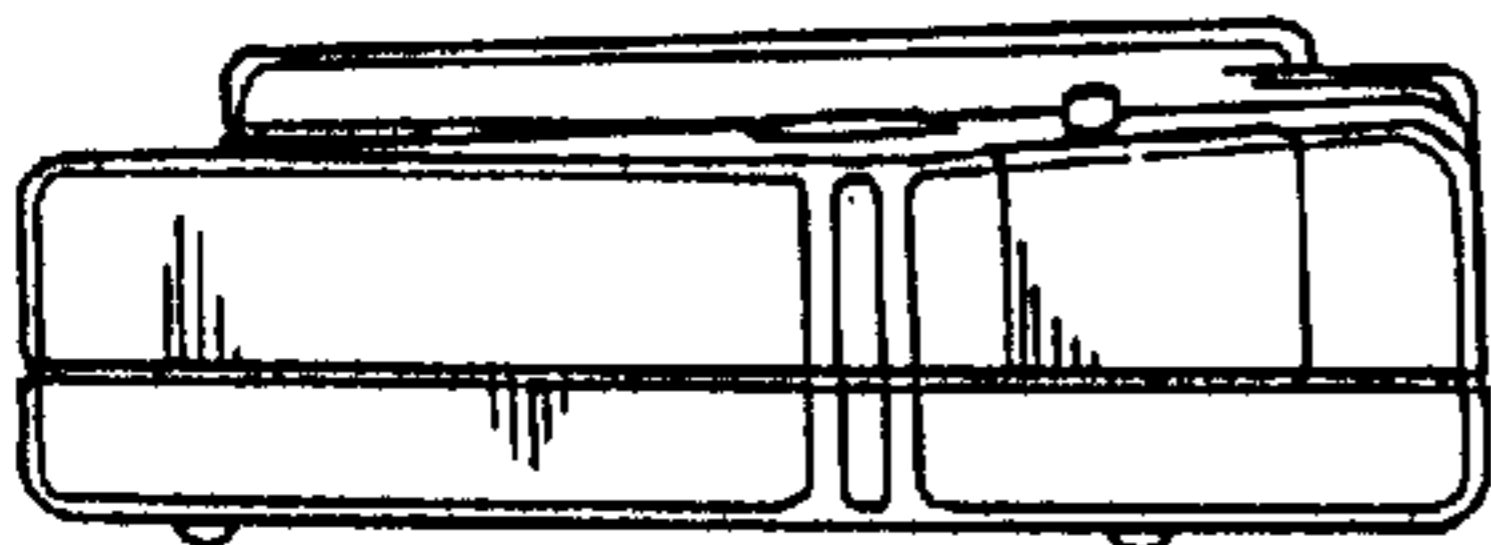


FIG. 7



FIG. 6