



US00D405771S

# United States Patent [19]

Nachinson et al.

[11] **Patent Number: Des. 405,771**

[45] **Date of Patent: \*\*Feb. 16, 1999**

[54] **COMBINED COMPUTER MOUSE PAD AND INTEGRAL USER INPUT DEVICE**

[75] Inventors: **Jon Nachinson**, Flossmoor; **Roy C. Robertson**, Glen Ellyn; **Thomas Becker**, Willow Springs; **Jonathan Hanuka**, Flossmoor, all of Ill.

[73] Assignee: **Imageworks Manufacturing, Inc.**, Park Forest, Ill.

[\*\*] Term: **14 Years**

[21] Appl. No.: **79,358**

[22] Filed: **Nov. 13, 1997**

[51] **LOC (6) Cl.** ..... **14-02**

[52] **U.S. Cl.** ..... **D14/114**

[58] **Field of Search** ..... D14/114; D20/22; D6/582-94; 248/118.1; 400/689-93, 715; 428/85, 90, 95, 96, 318.6, 319.3; 345/156-67

[56] **References Cited**

**U.S. PATENT DOCUMENTS**

D. 361,325 8/1995 Massey ..... D14/114

D. 361,326 8/1995 Schriener ..... D14/114  
D. 365,342 12/1995 Evenson et al. .... D14/114  
D. 366,654 1/1996 Lovegrove et al. .... D14/114  
D. 388,416 12/1997 Jones ..... D14/114

*Primary Examiner*—M. H. Tung  
*Attorney, Agent, or Firm*—Jordan A. Sigale; Sonnenschein Nath & Rosenthal

[57] **CLAIM**

The ornamental design for a combined computer mouse pad and integral user input device, as shown and described.

**DESCRIPTION**

FIG. 1 is a perspective view of the combined computer mouse pad and integral user input device showing a new ornamental design therefor on a reduced scale, the broken line drawing of an electrical cord is for illustrative purposes only and forms no part of the claimed design; FIG. 2 is a top plan view thereof; FIG. 3 is a bottom plan view thereof; FIG. 4 is a rear elevation view thereof; FIG. 5 is a front elevation view thereof; and, FIG. 6 is a side elevation view thereof, the opposite side is a mirror image.

**1 Claim, 2 Drawing Sheets**

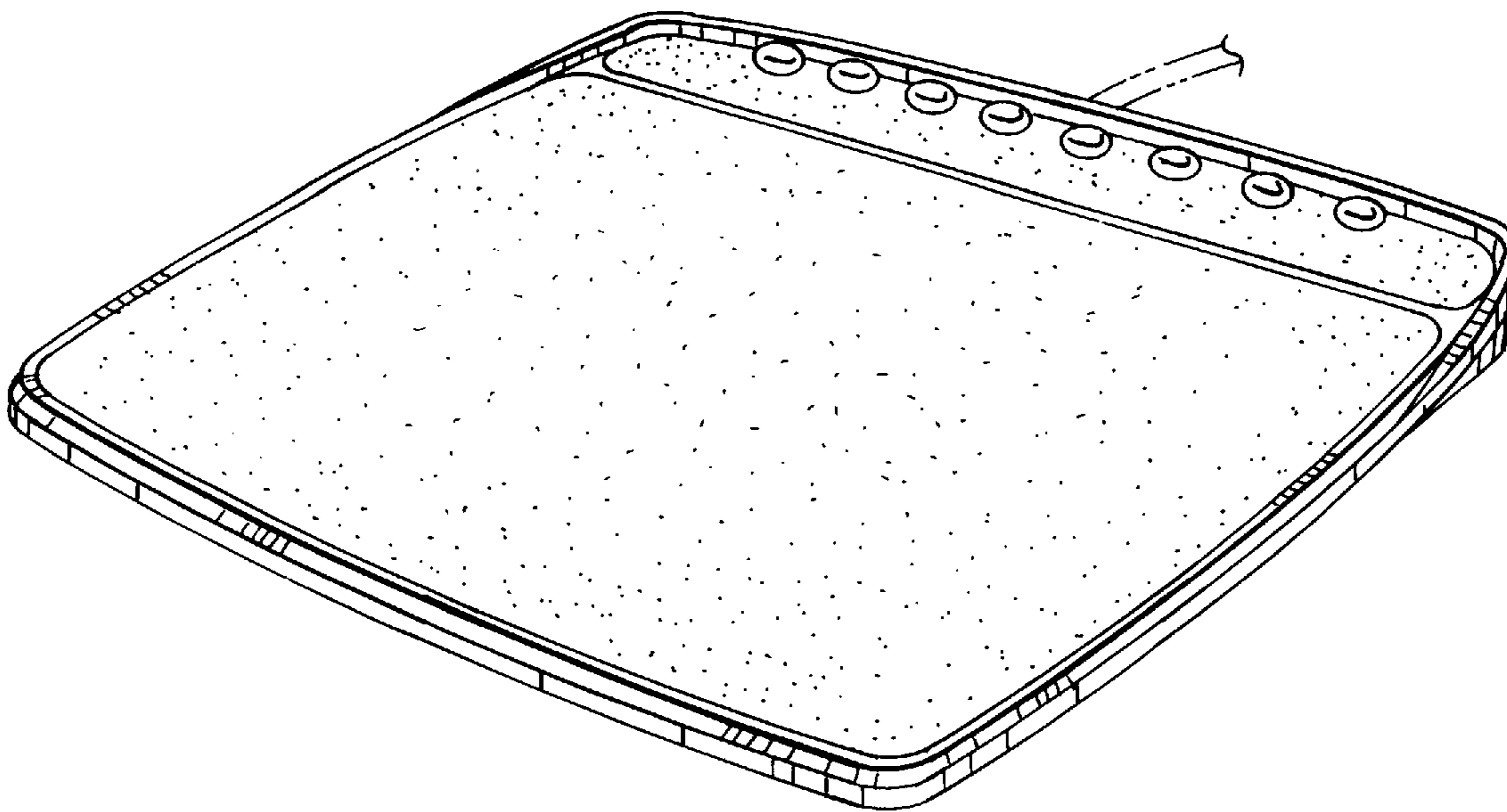


FIG. 1

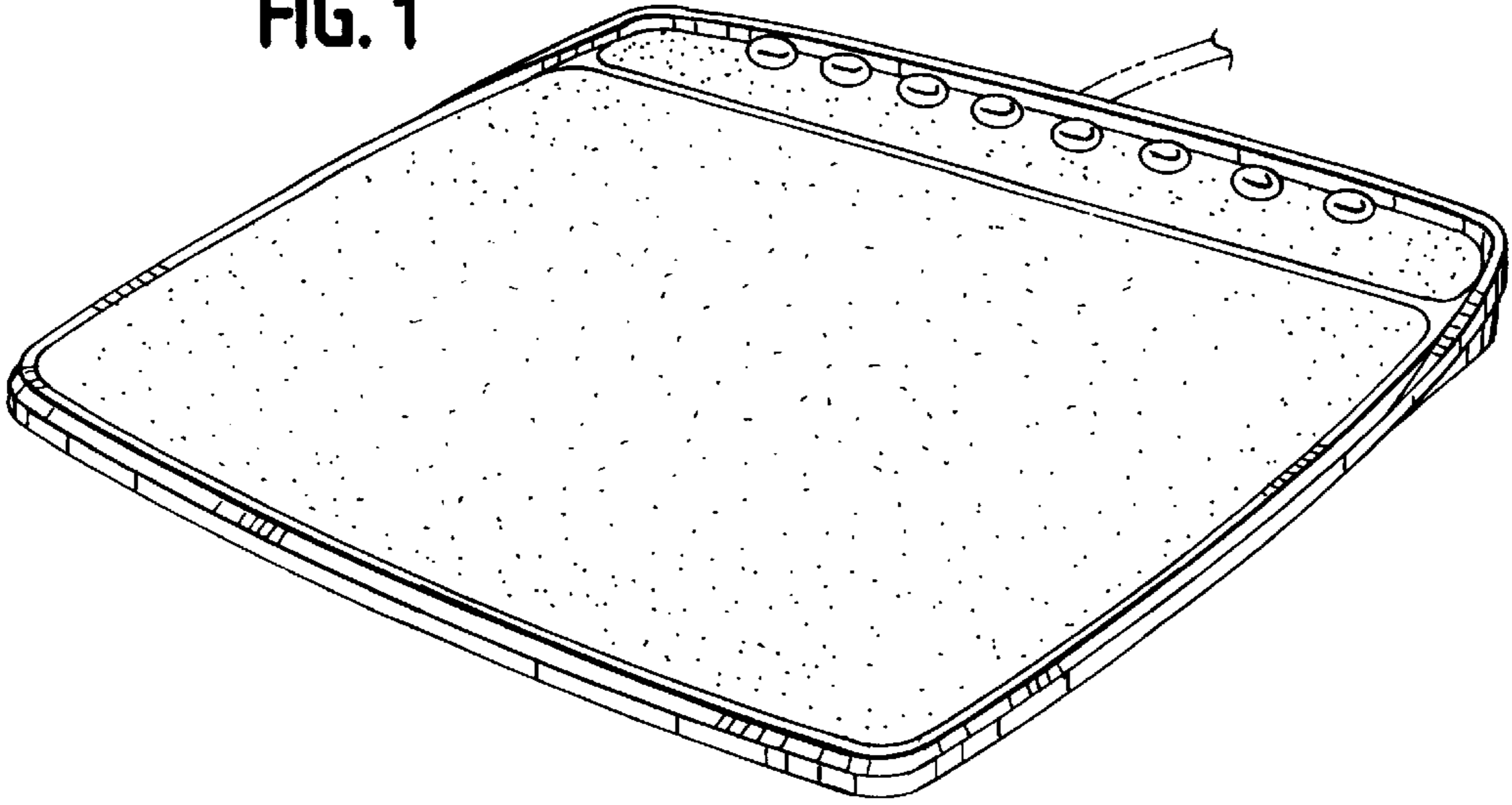


FIG. 2

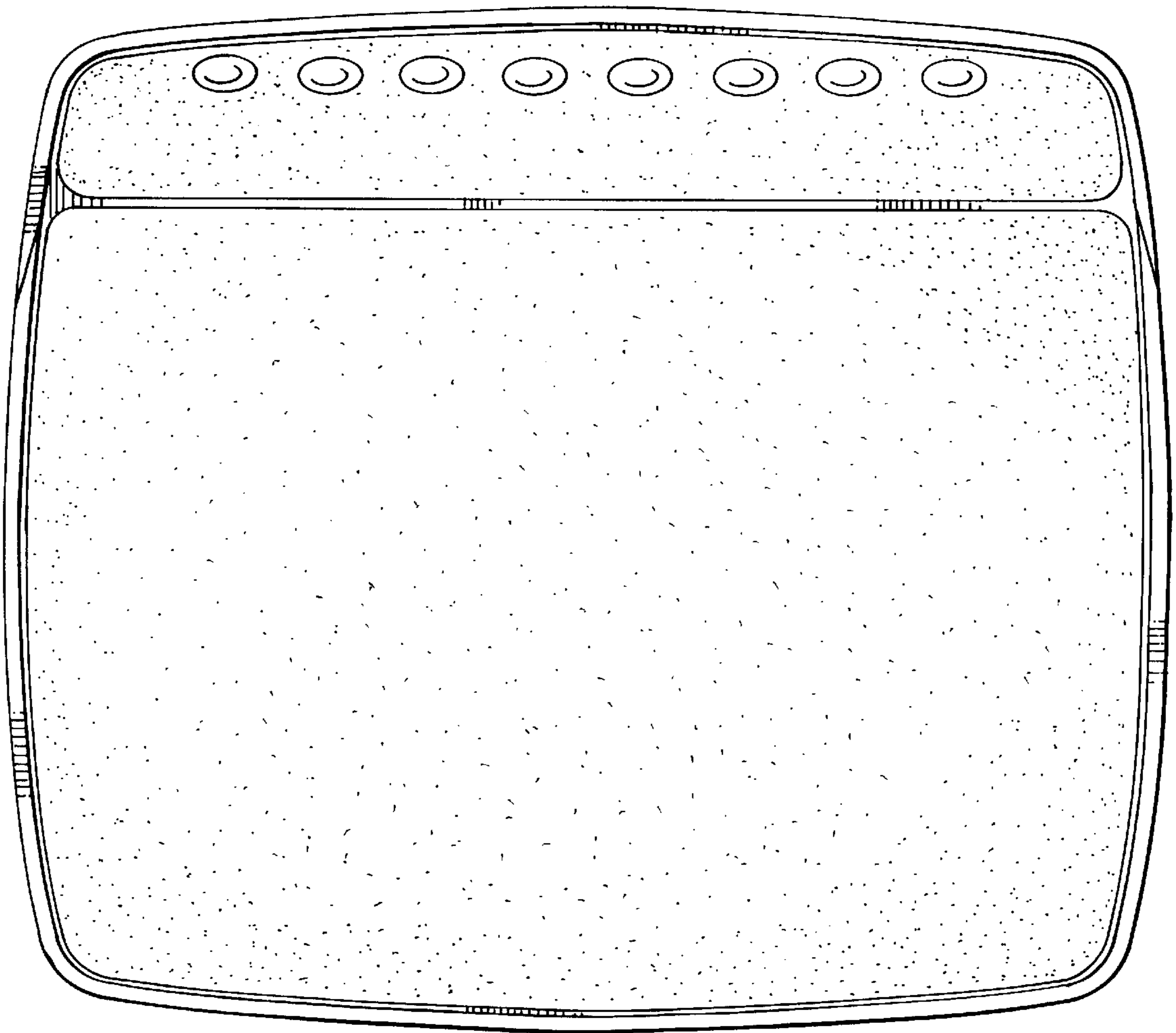


FIG. 3

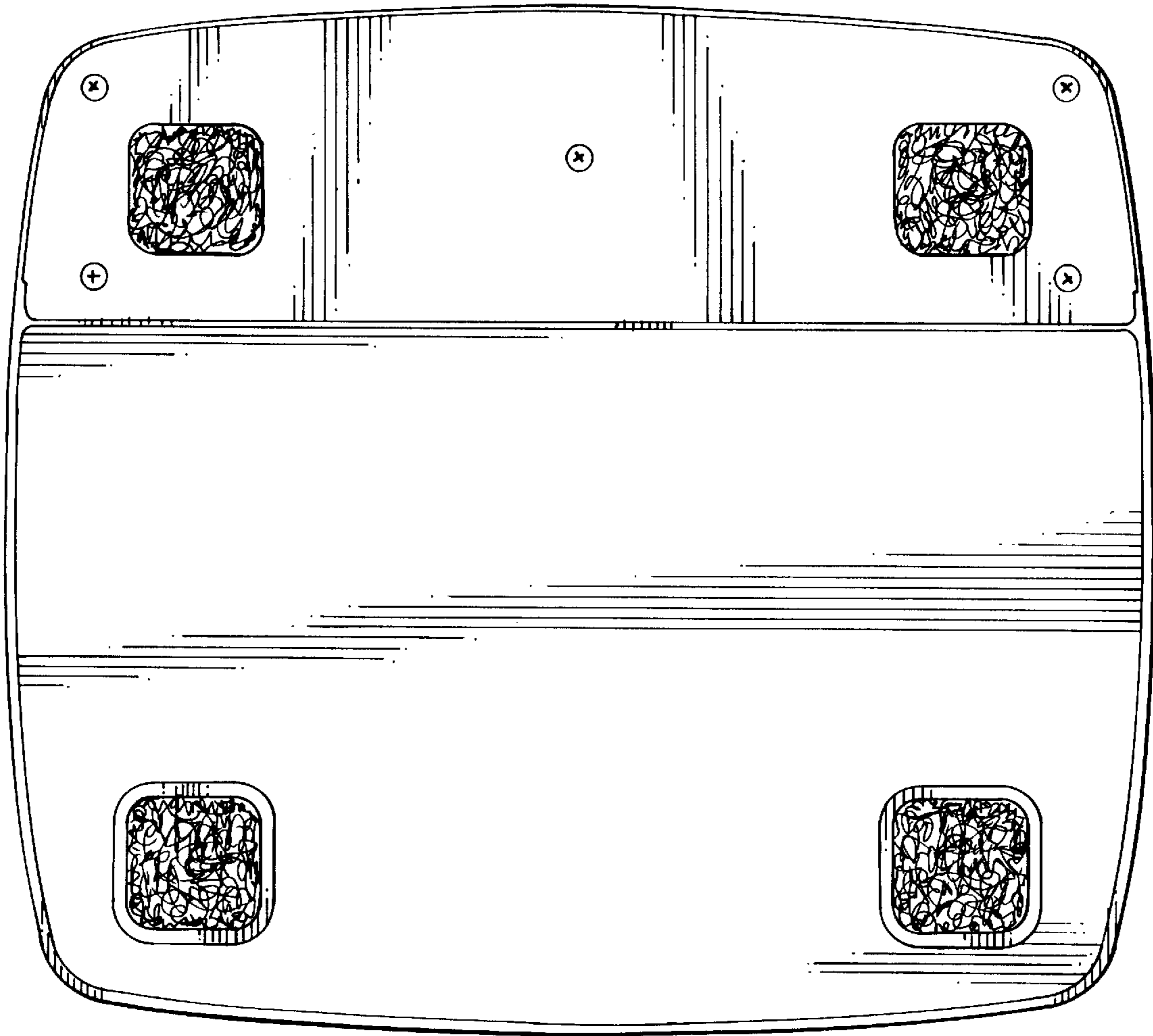


FIG. 4

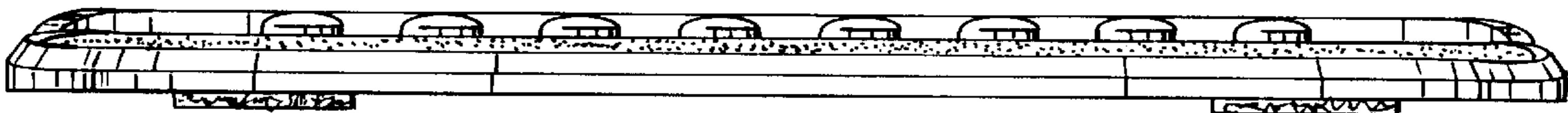


FIG. 5



FIG. 6

