



US00D405769S

United States Patent [19]

[11] **Patent Number: Des. 405,769**

Kondo et al.

[45] **Date of Patent: **Feb. 16, 1999**

[54] **ELECTRONIC COMPUTER**

OTHER PUBLICATIONS

[75] Inventors: **Osamu Kondo**, Tokyo; **Masaaki Iino**, Saitama-ken, both of Japan

Data General One Advertisement, dated Sep. 28, 1984.
General Corp. 4400, dated Jan. 14, 1985 #24.
NEC Corporation, Starlet Tying Together the Starlet System, date unknown.
Zenith Data Systems, Newsdate, dated Jun. 1, 1986.

[73] Assignee: **Kabushiki Kaisha Toshiba**, Kawasaki, Japan

[**] Term: **14 Years**

(List continued on next page.)

[21] Appl. No.: **81,059**

Primary Examiner—Freda Nunn
Attorney, Agent, or Firm—Banner & Witcoff, Ltd.

[22] Filed: **Dec. 19, 1997**

[57] **CLAIM**

Related U.S. Application Data

The ornamental design for an electronic computer, as shown and described.

[63] Continuation-in-part of Ser. No. 77,166, Jun. 18, 1997, which is a continuation of Ser. No. 57,746, Jul. 31, 1996, abandoned, which is a continuation-in-part of Ser. No. 68,488, Mar. 21, 1997, abandoned.

DESCRIPTION

[30] **Foreign Application Priority Data**

FIG. 1, is a top, front and right side perspective view of an electronic computer showing our new design according to a first embodiment thereof;

Mar. 27, 1996 [JP] Japan 8-8187
Sep. 26, 1996 [JP] Japan 8-28459

FIG. 2 is a front elevational view thereof;
FIG. 3 is a left side elevational view thereof;

[51] **LOC (6) Cl.** **14-02**

FIG. 4 is a right side elevational view thereof;
FIG. 5 is a rear elevational view thereof;

[52] **U.S. Cl.** **D14/106**

FIG. 6 is a top plan view thereof;
FIG. 7 is a bottom plan view thereof;

[58] **Field of Search** D14/100, 106, D14/101, 113, 115; D18/1, 7, 12, 2; 235/145 A, 145 R; 345/104, 156, 168, 173, 87; 341/22, 23; 361/680-686; 364/708.1; 400/486, 489

FIG. 8 is a front elevational view thereof in a closed position;

[56] **References Cited**

FIG. 9 is a right side elevational view thereof in the closed position;

U.S. PATENT DOCUMENTS

D. 308,860 6/1990 Tsukada et al. .
D. 310,213 8/1990 Tsukada et al. .
D. 312,822 12/1990 Watabe et al. .
D. 321,176 10/1991 Ma .

FIG. 10 is a top plan view thereof in the closed position;

FIG. 11 is a top, front and right side perspective view of a second embodiment thereof;

(List continued on next page.)

FIG. 12 is a front elevation view thereof;
FIG. 13 is a top plan view thereof;

FOREIGN PATENT DOCUMENTS

M 88 00 660 10/1988 Germany .
M 88 02 901 5/1989 Germany .
M 91 03 652 2/1992 Germany .
M 91 03 658 2/1992 Germany .

FIG. 14 is a bottom plan view thereof;
FIG. 15 is a rear elevational view thereof;

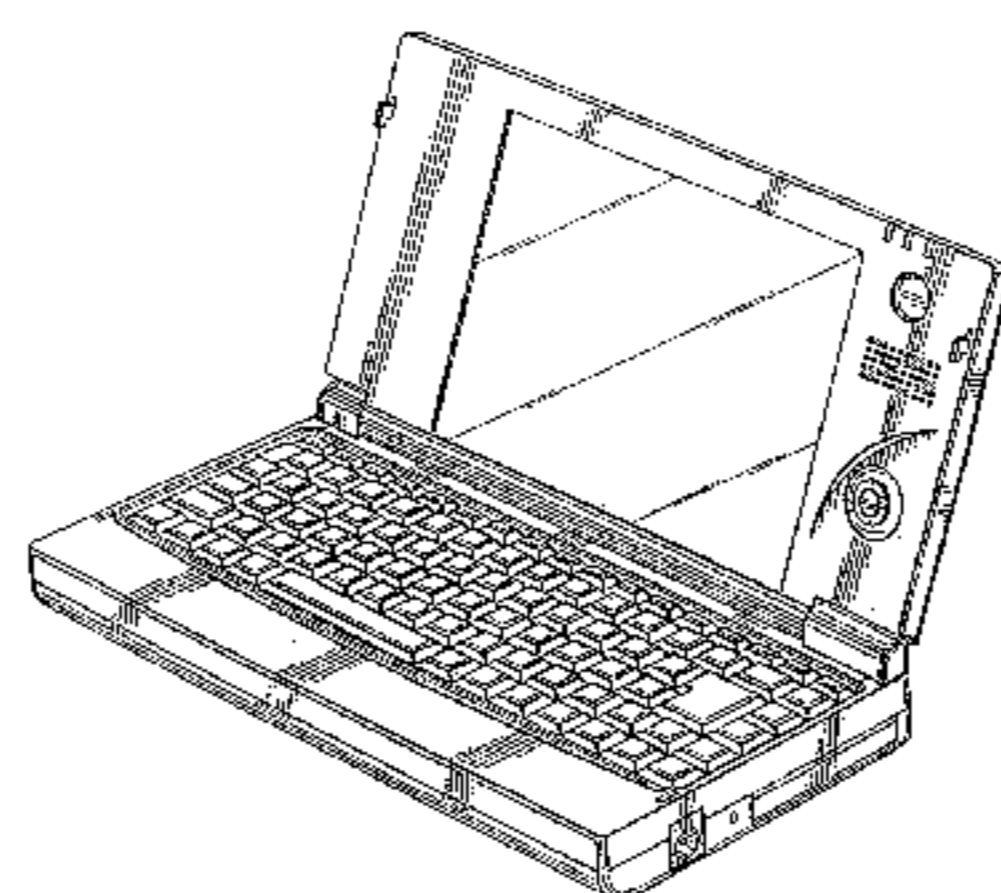
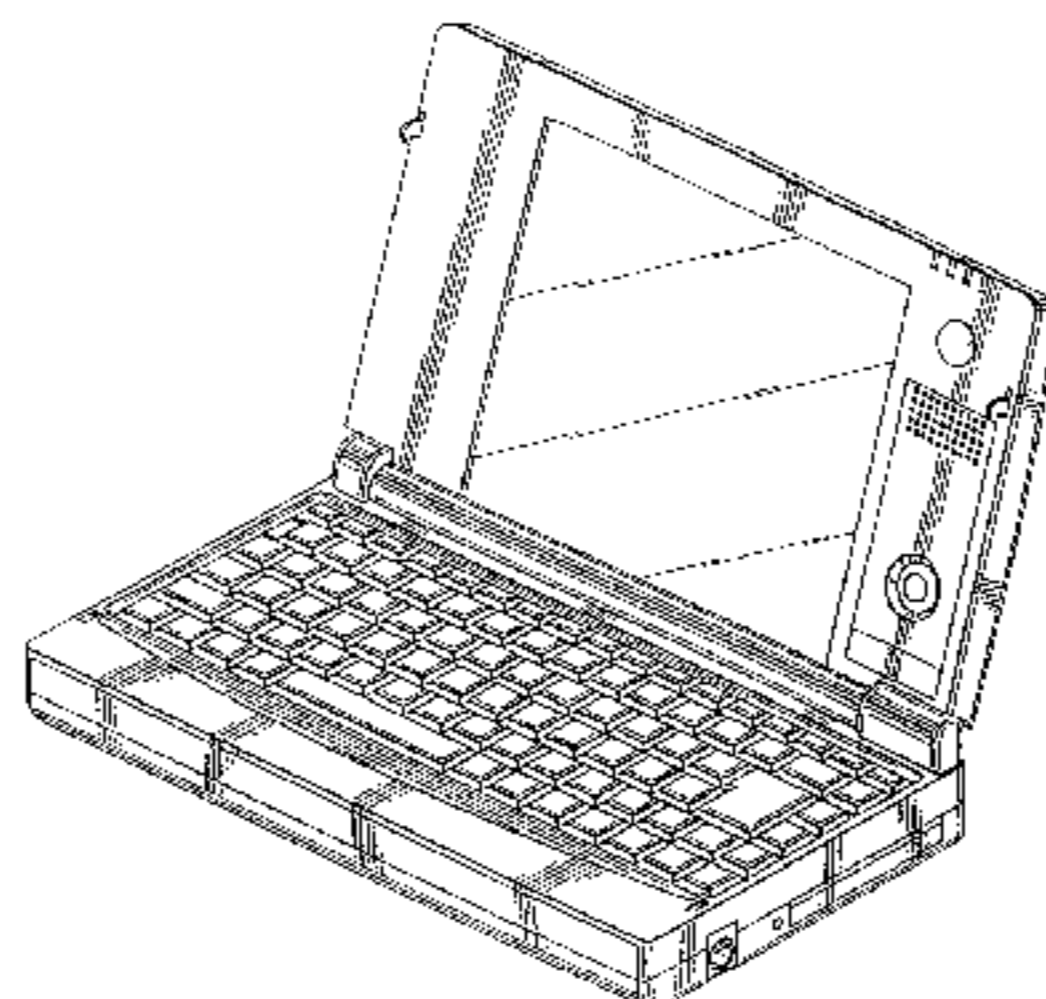
FIG. 16 is a right side elevational view thereof;
FIG. 17 is a left side elevational view thereof;

(List continued on next page.)

FIG. 18 is a front elevational view in a closed position thereof;

FIG. 19 is a top plan view in the closed position thereof; and,
FIG. 20 is a right side elevational view in the closed position.

1 Claim, 8 Drawing Sheets



U.S. PATENT DOCUMENTS

D. 324,674 3/1992 Iino .
 D. 328,592 8/1992 Kajita .
 D. 331,919 12/1992 Sekino et al. .
 D. 332,783 1/1993 Krakower et al. .
 D. 335,870 5/1993 Yun .
 D. 336,465 6/1993 Kim .
 D. 338,456 8/1993 Brunner et al. .
 D. 338,660 8/1993 Youens et al. .
 D. 340,920 11/1993 Okuda et al. .
 D. 343,167 1/1994 Mizusigi et al. .
 D. 345,550 3/1994 Iino .
 D. 345,552 3/1994 Mundt .
 D. 346,369 4/1994 Iino .
 D. 349,278 8/1994 Wetrin .
 D. 351,370 10/1994 Yu .
 D. 355,171 2/1995 Derocher .
 D. 356,069 3/1995 Lee .
 D. 359,033 6/1995 Lee D14/106
 D. 364,606 11/1995 Bliven D14/106
 D. 365,548 12/1995 Youens .
 D. 368,897 4/1996 Takahashi .
 D. 372,466 8/1996 Chu D14/106

FOREIGN PATENT DOCUMENTS

M 91 03 696 2/1992 Germany .
 M 93 09 976 7/1994 Germany .
 M 94 05 001 12/1994 Germany .
 61-684172 5/1986 Japan .
 61-686658 5/1986 Japan .
 746985 1/1989 Japan .
 763838 3/1989 Japan .
 763840 3/1989 Japan .
 113906 5/1991 Japan .
 115245 6/1991 Japan .
 115781 7/1991 Japan .
 118262 9/1991 Japan .
 122562 1/1992 Japan .
 894357 3/1993 Japan .
 894947 3/1994 Japan .

925901 5/1995 Japan .
 926145 5/1995 Japan .
 90-9679 5/1991 Rep. of Korea .
 90-9680 5/1991 Rep. of Korea .
 90-10185 6/1991 Rep. of Korea .
 90-17967 8/1991 Rep. of Korea .
 91-2939 12/1991 Rep. of Korea .
 91-5016 2/1992 Rep. of Korea .
 224002 11/1994 Taiwan .

OTHER PUBLICATIONS

NEC, Matra Communications, dated 1987.
 PC-98LT, PC-9800, dated 1987.
 NEC Corp., PC-9801LV21, dated unknown.
 NEC Corp., PC-98LT, dated Jul. 14, 1988.
 Nihon Keizai Shinbun (FLORA 1010MA) (Newspaper), Hitachi Seisakusyo, dated Feb. 16, 1995.
 Ricoh—Magus—dated Feb. 1, 1990.
 Mitsubishi Maxy, The Architecture Extended—AX, dated May 15, 1990.
 Sun Exp. PowerLite, dated Feb. 14, 1994.
 The Compaq Contura Aero, The Easy-To-Use Notebook You Can Take Wherever You Go, date unknown.
 MicroSparc, PFU S-4/Leia, date unknown.
 AST Computers, Performance That Draws Rave Reviews, dated 1991.
 Travel Mate, Texas Instruments, dated Feb. 5, 1992.
 Sharp, AX286N-H2, All in Note, dated May 1990.
 Denpa Sinbun Nihon NCR, dated Oct. 27, 1993.
 Mitac—DX4/100MHz, dated Jul. 18, 1994.
 Panasonic FW-U1 EX, dated 1989.
 Panasonic U1 EX, dated Dec. 8, 1987.
 Sharp PC-5000, date unknown.
 Super-NB386S, dated Nov. 12, 1990.
 52 Note, dated May 15, 1991.
 Mitsubishi Denki (STN Color Model M3442—A120), date unknown.

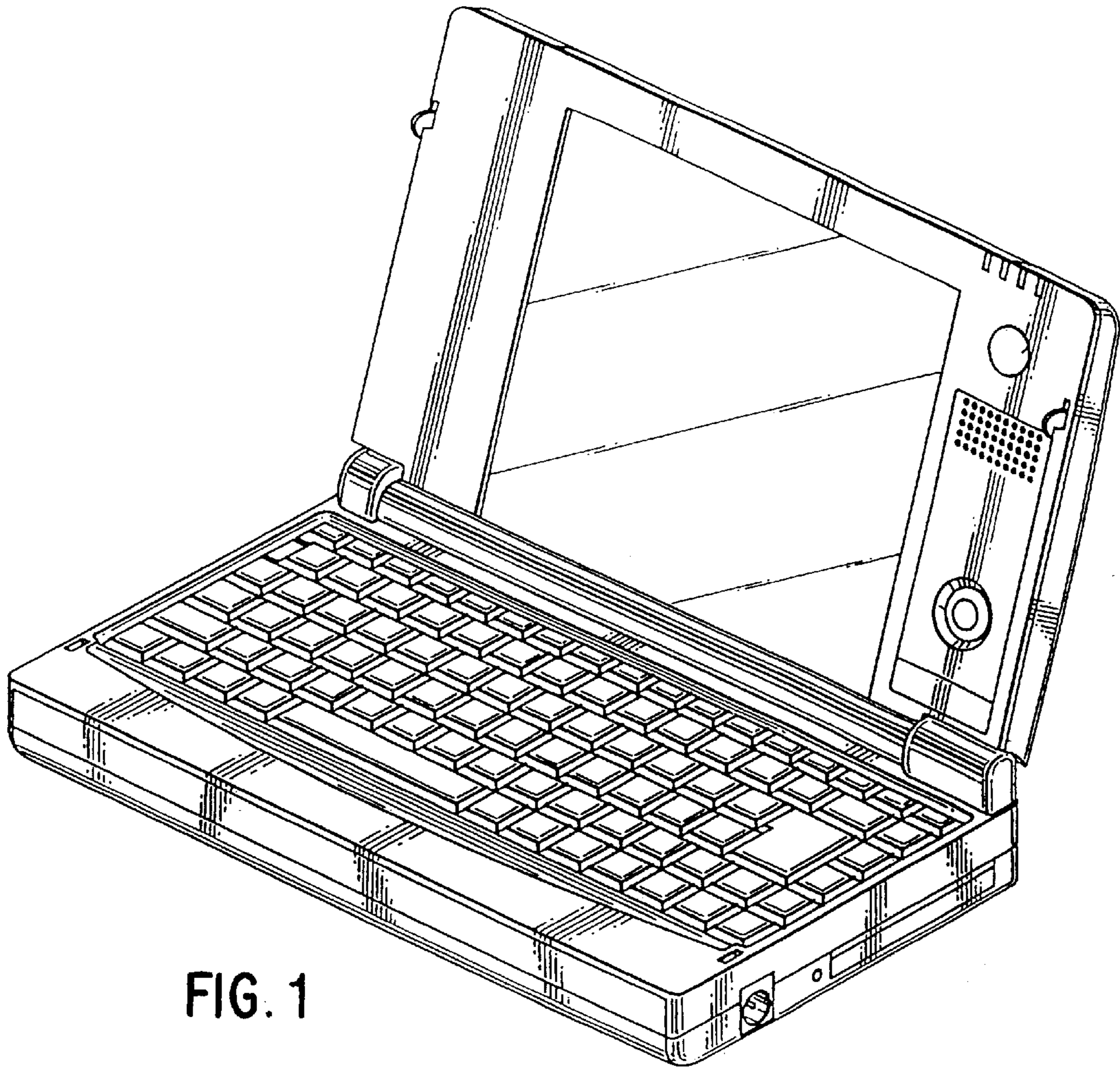


FIG. 1

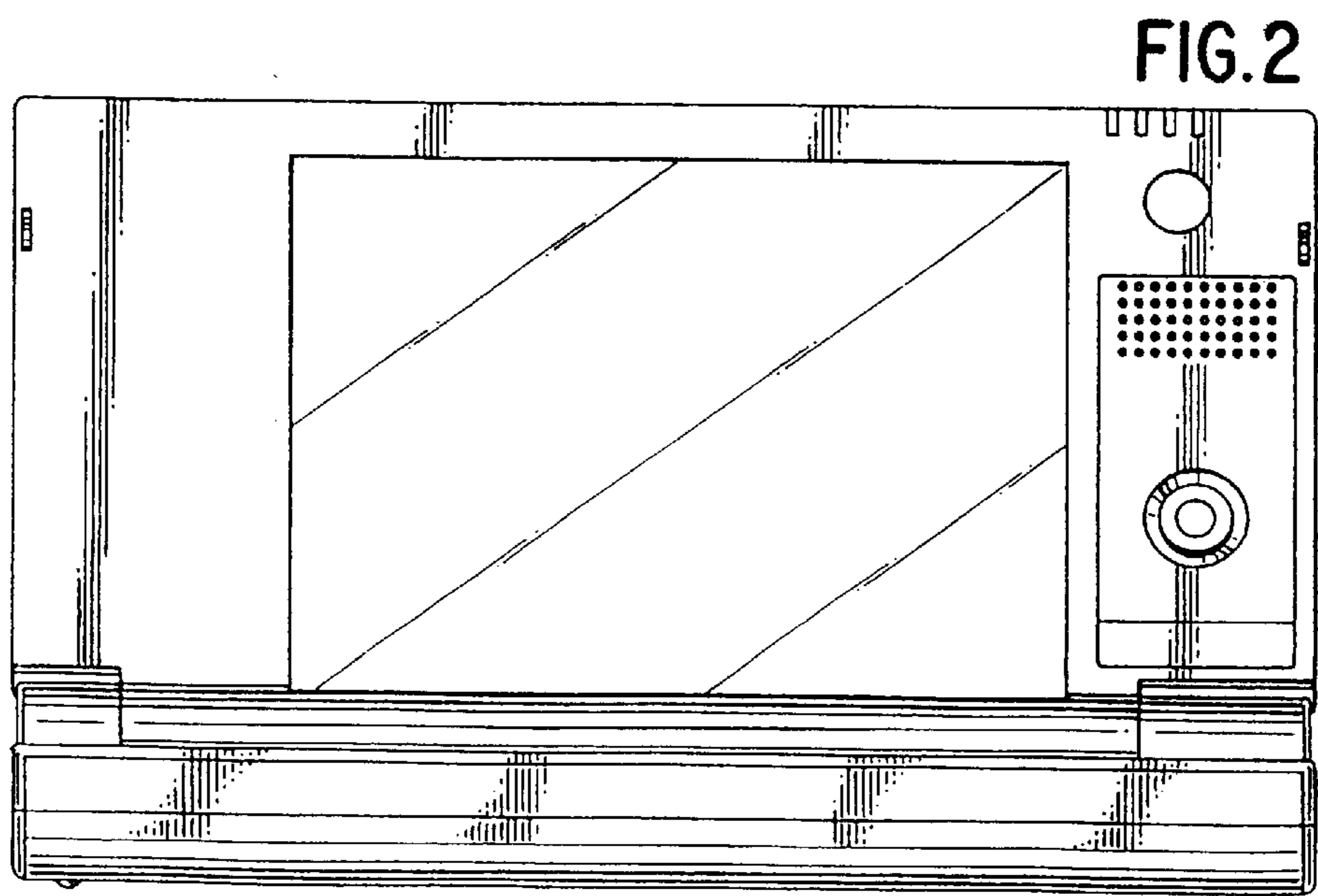


FIG. 2

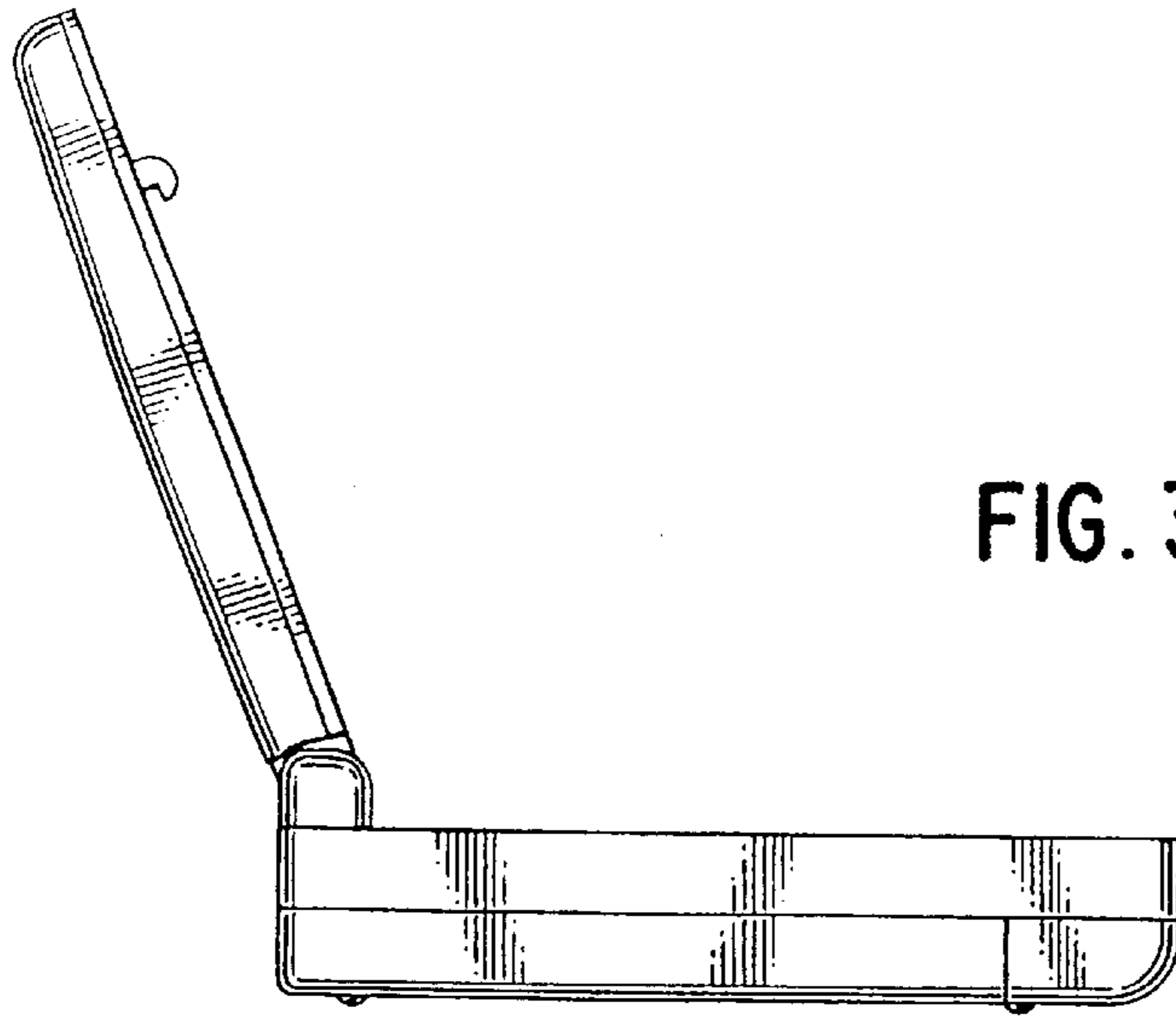


FIG. 3

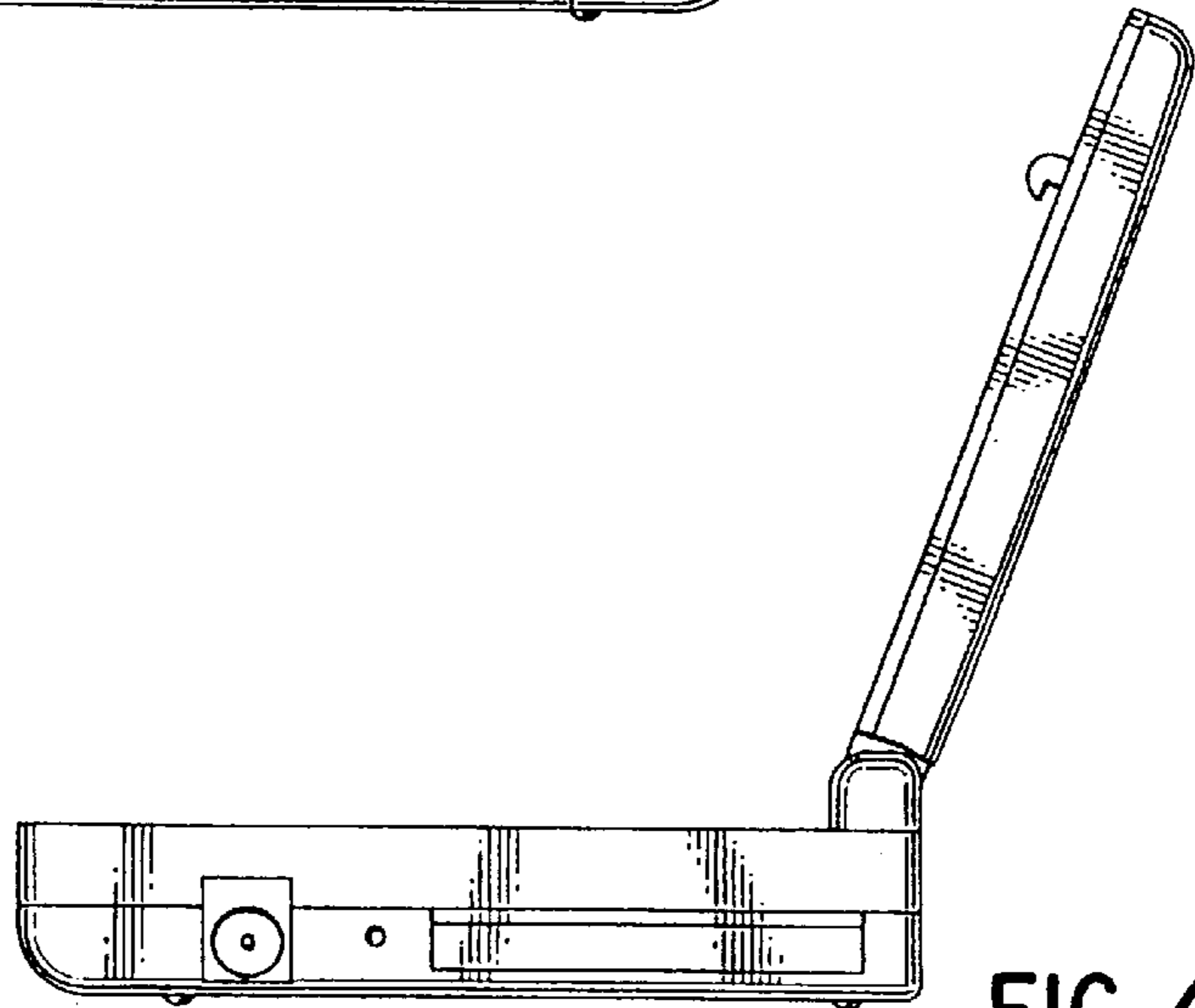
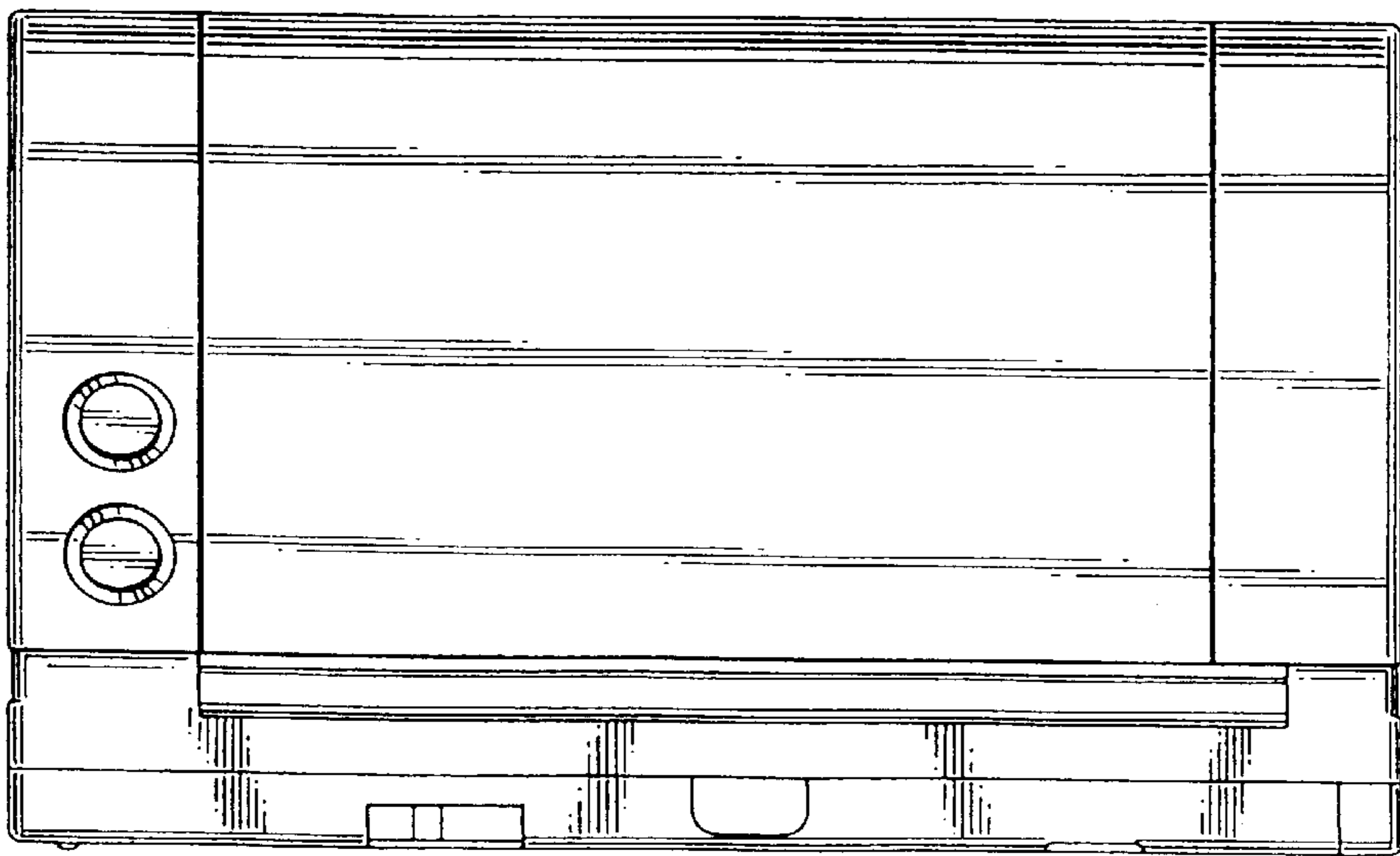


FIG. 4

FIG. 5



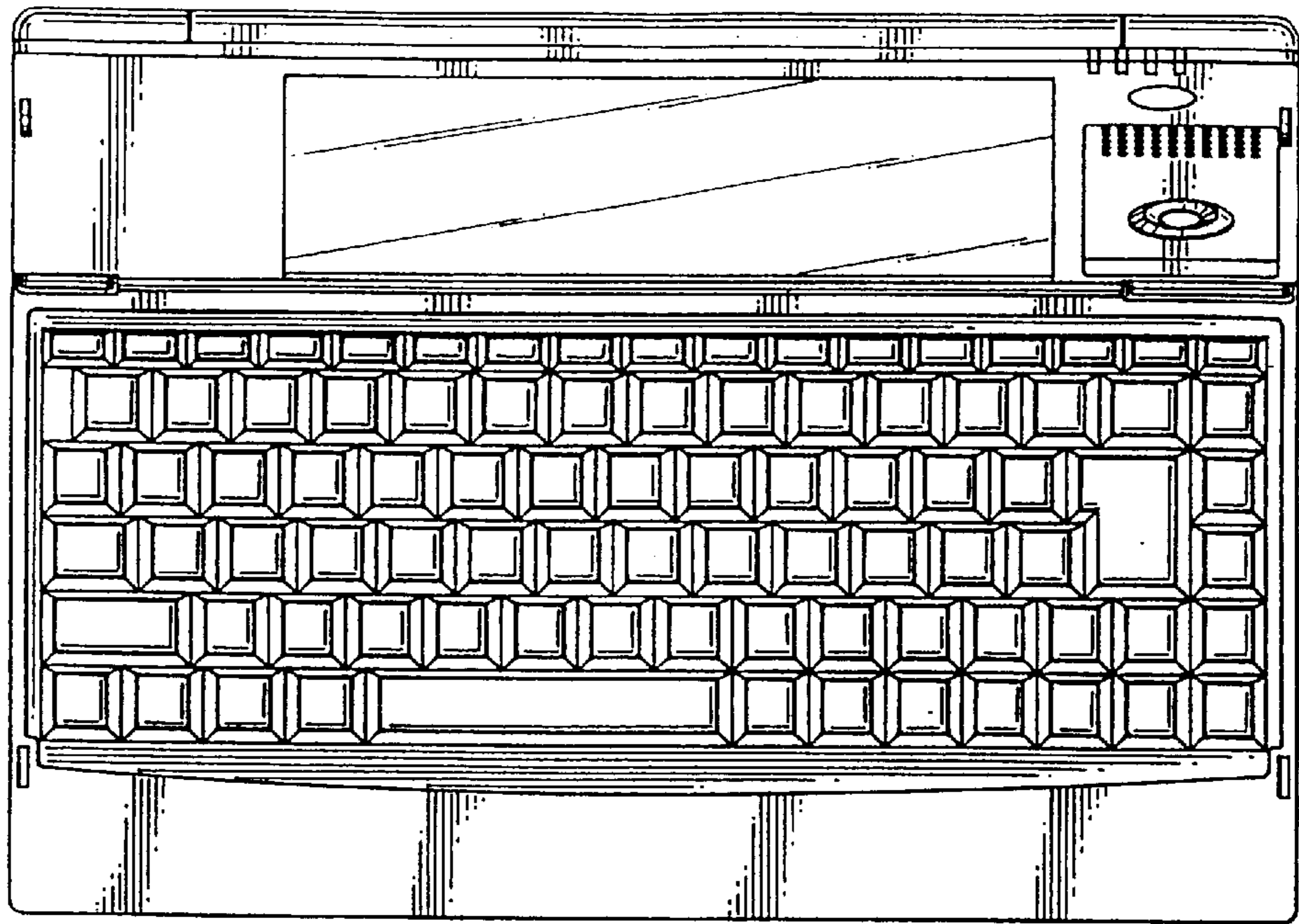


FIG. 6

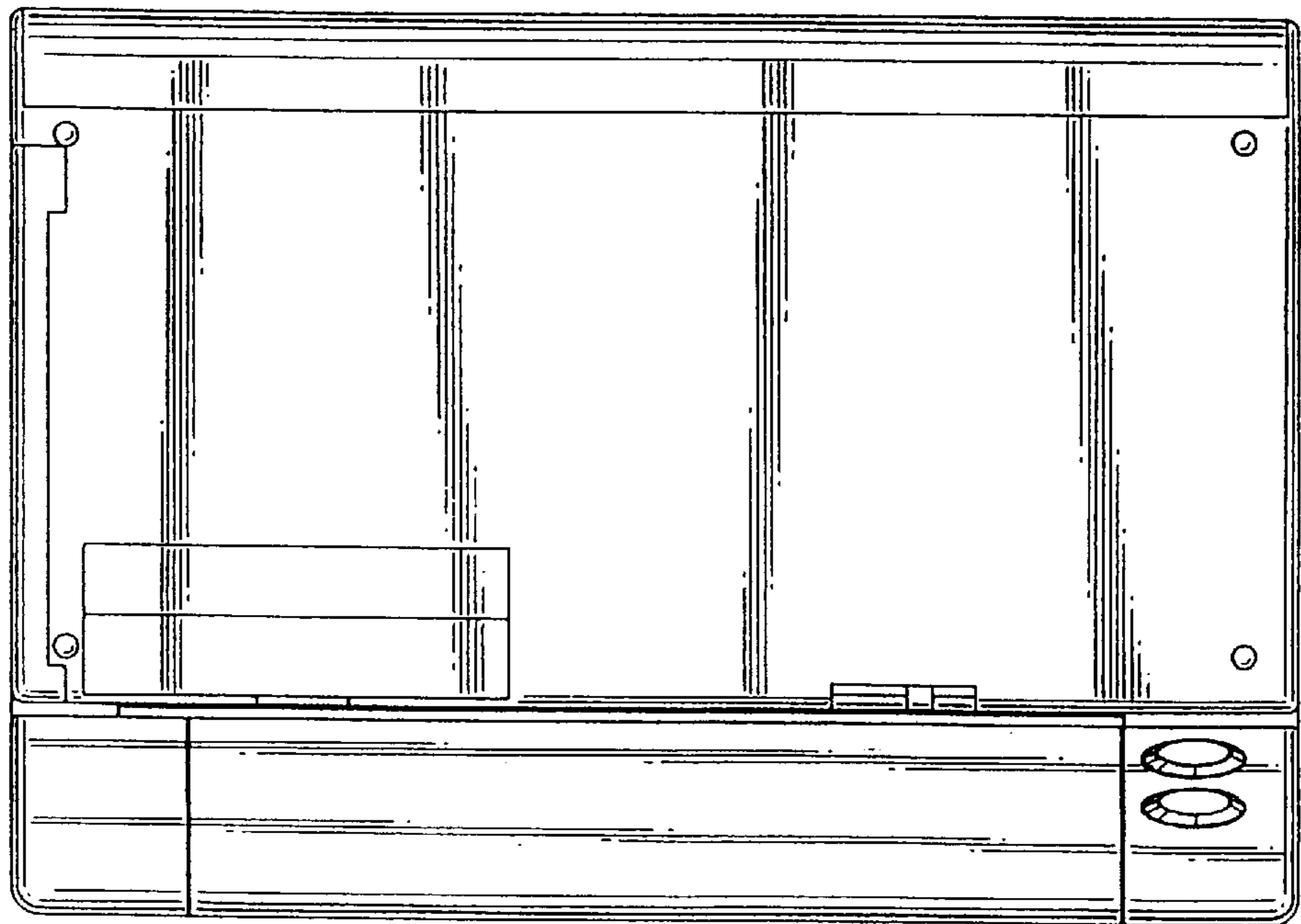


FIG. 7

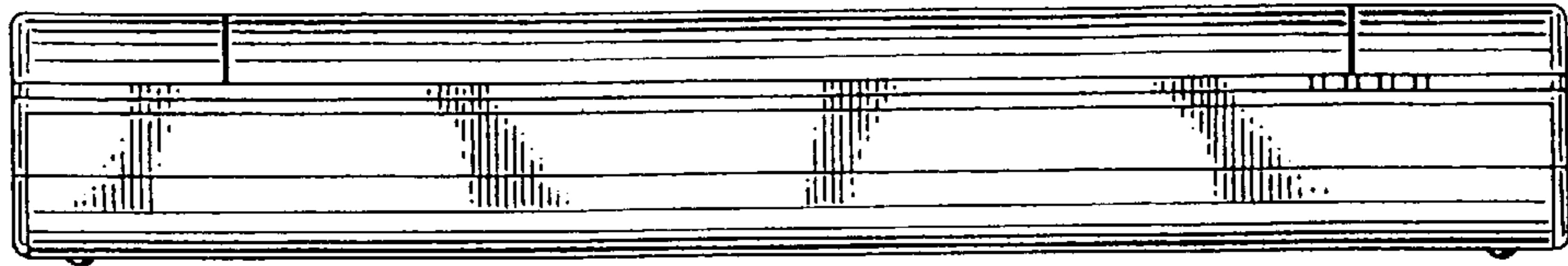


FIG. 8

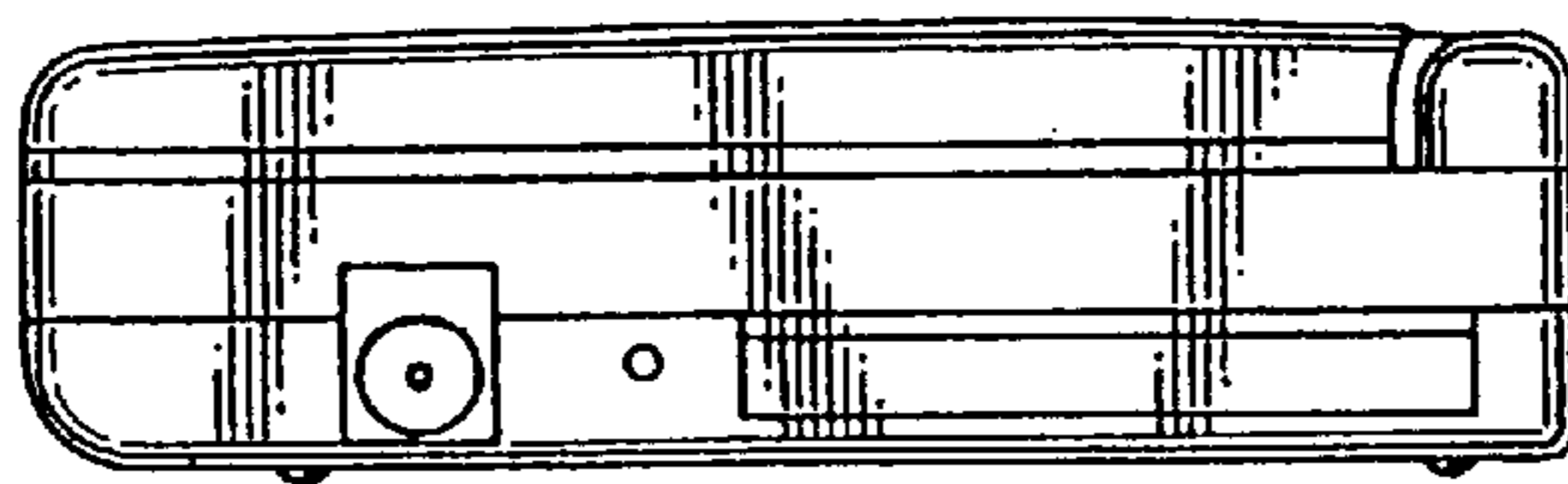


FIG. 9

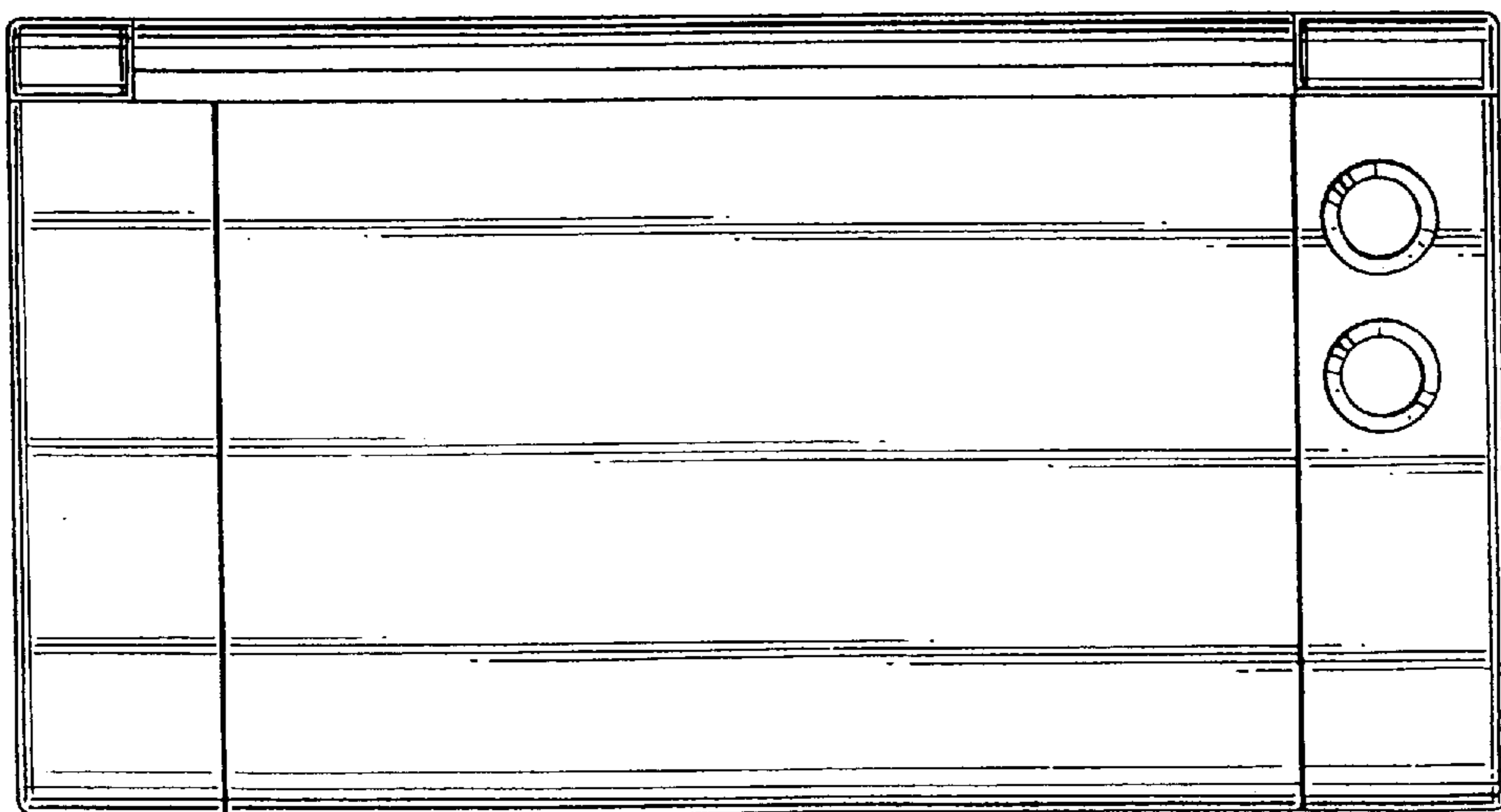


FIG. 10

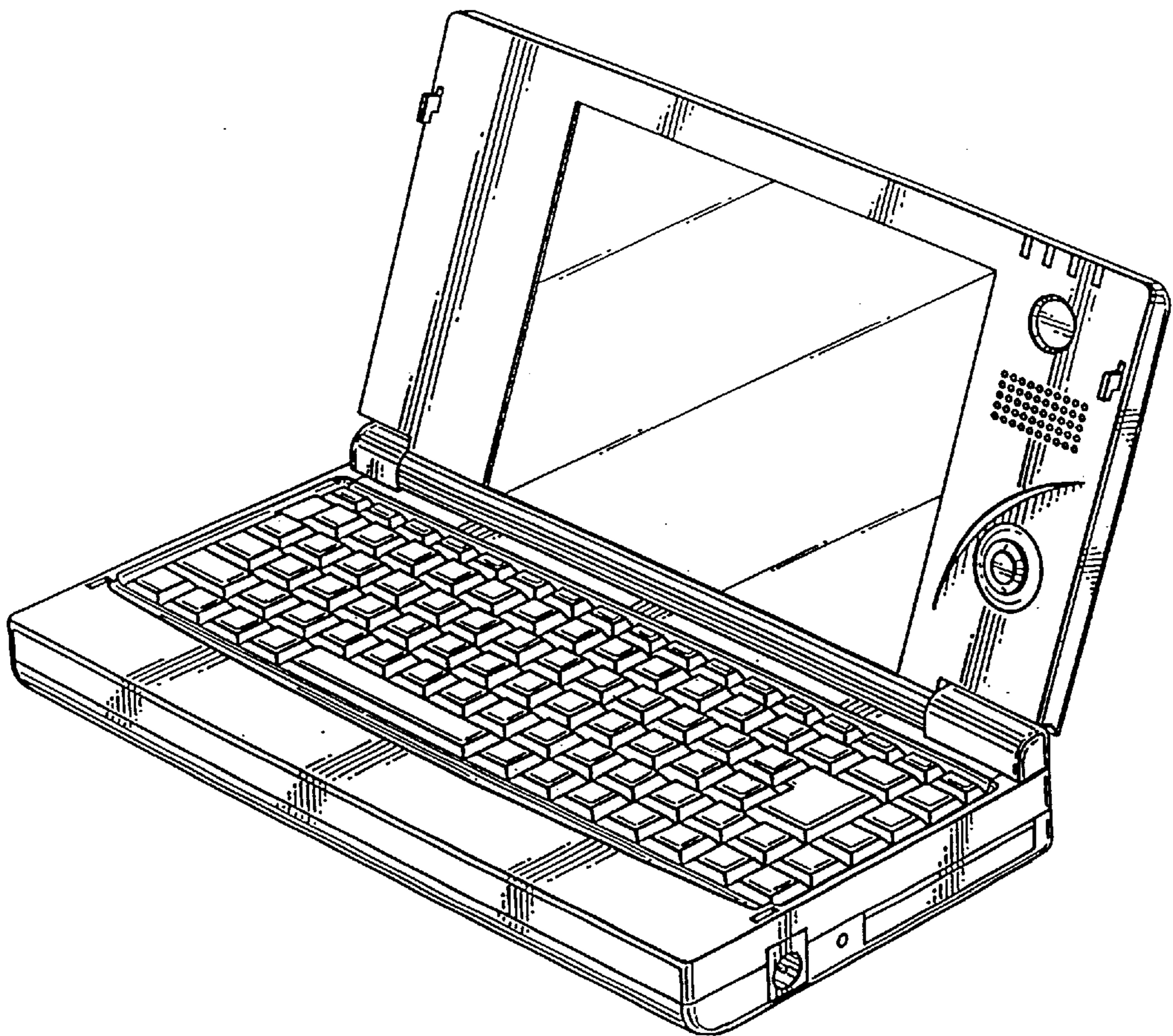


FIG. 11

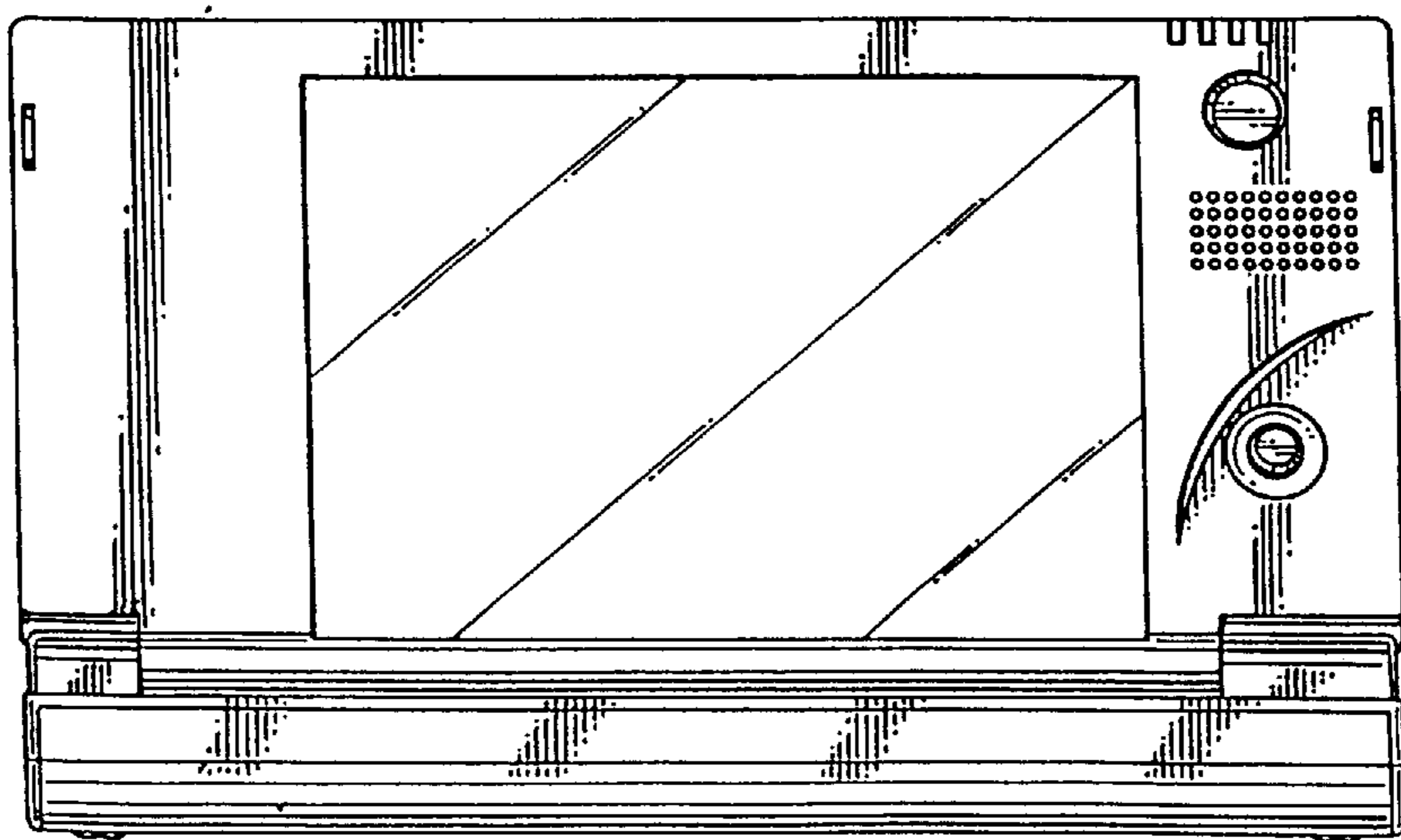


FIG. 12

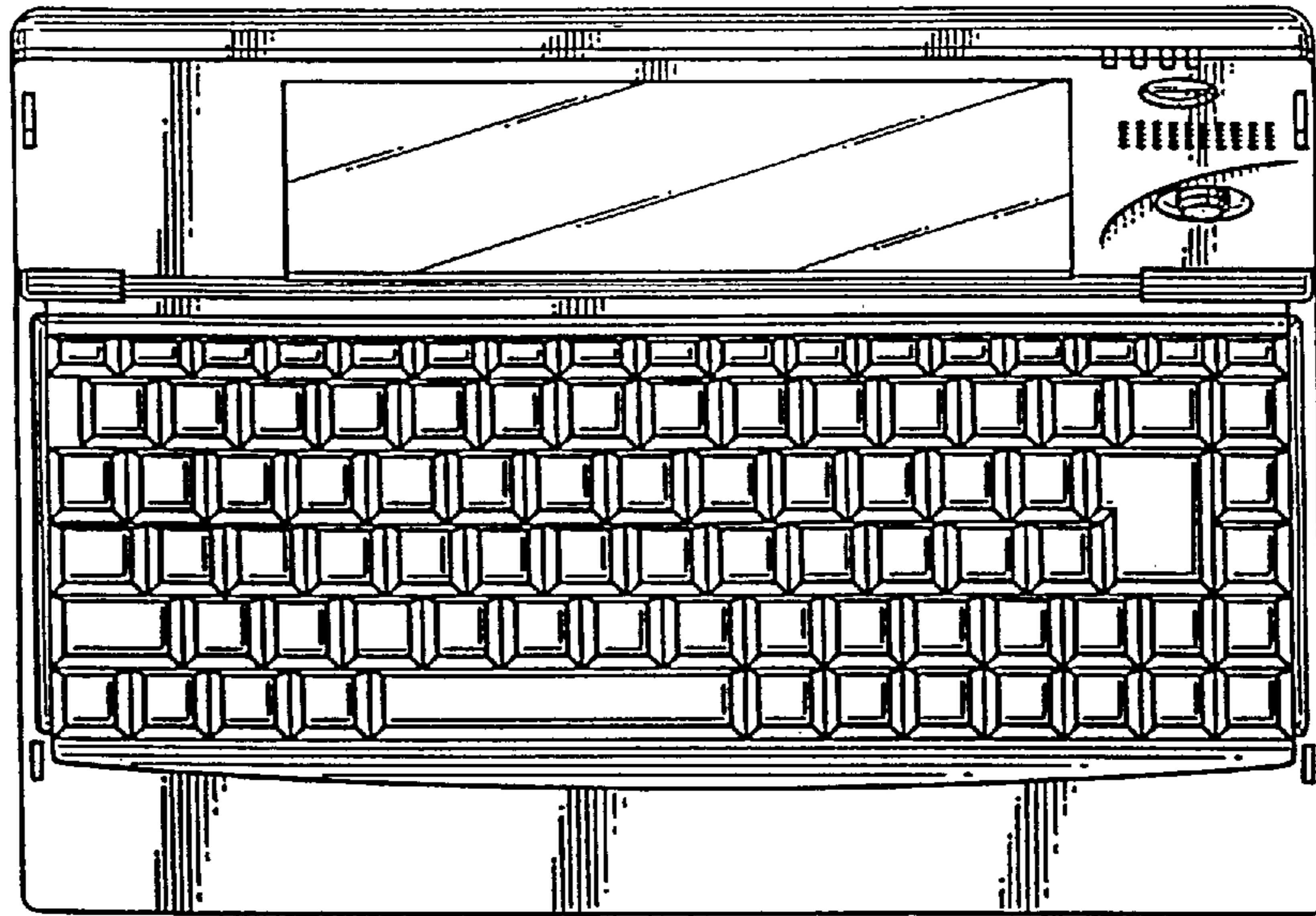


FIG. 13

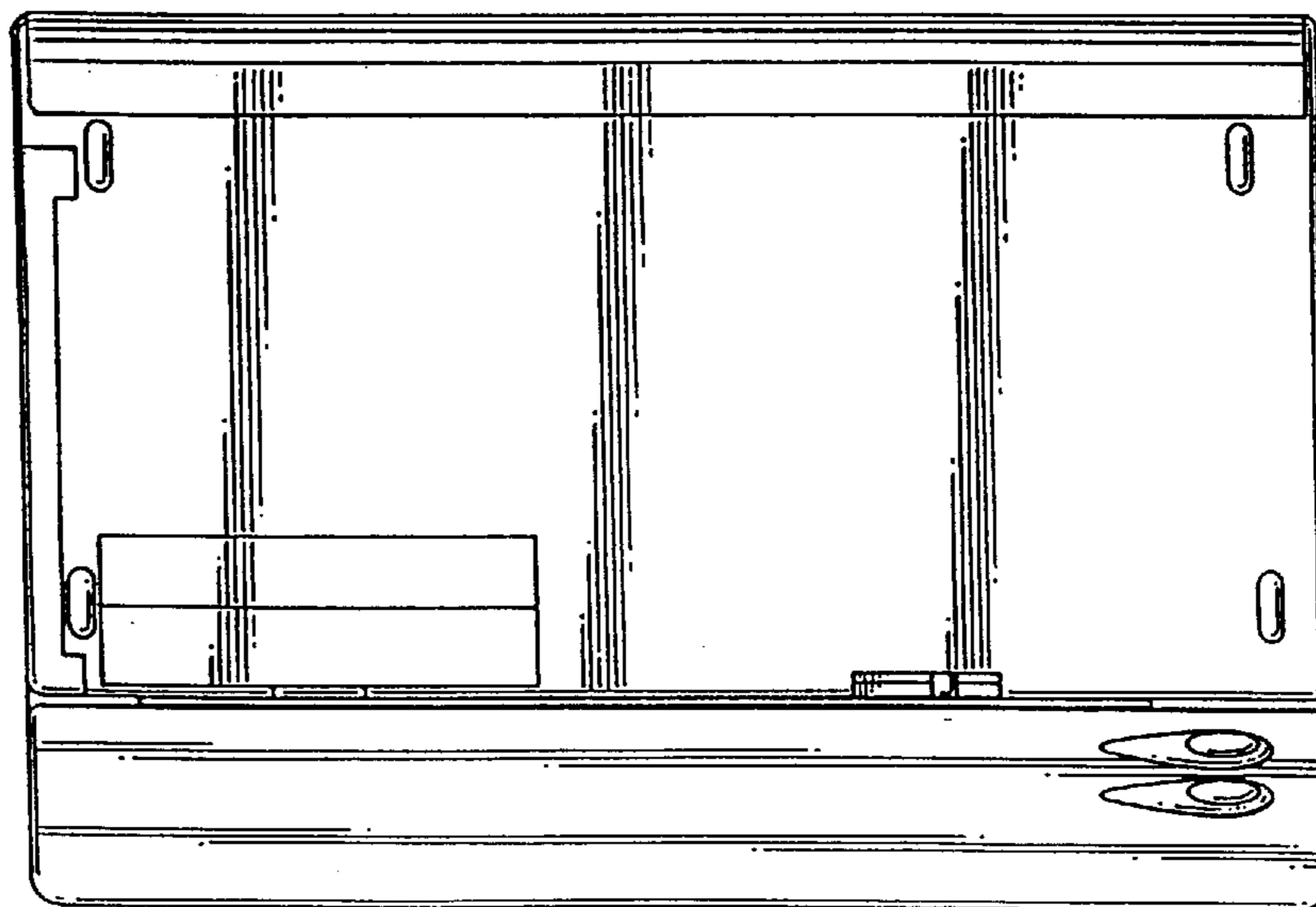


FIG. 14

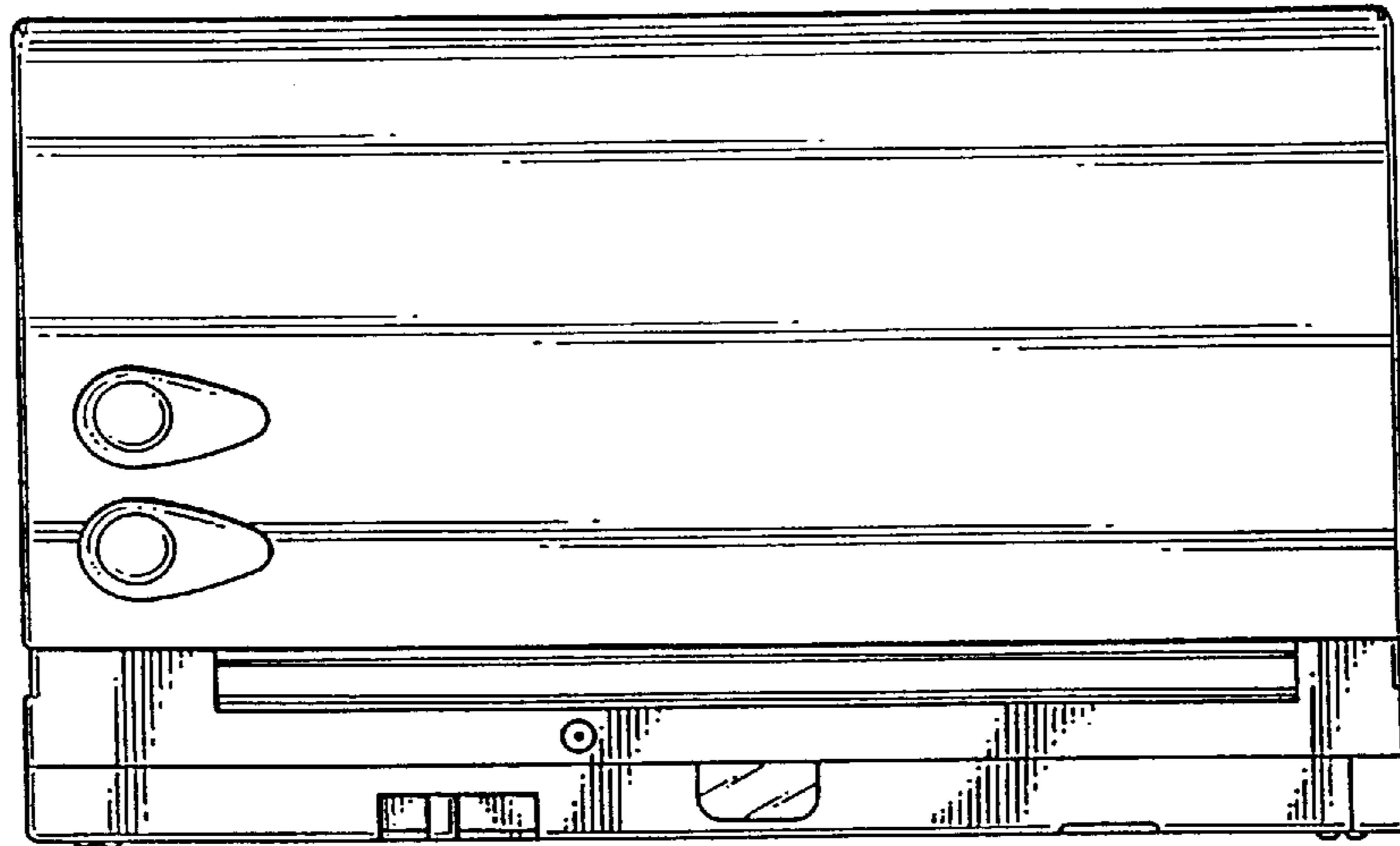


FIG. 15

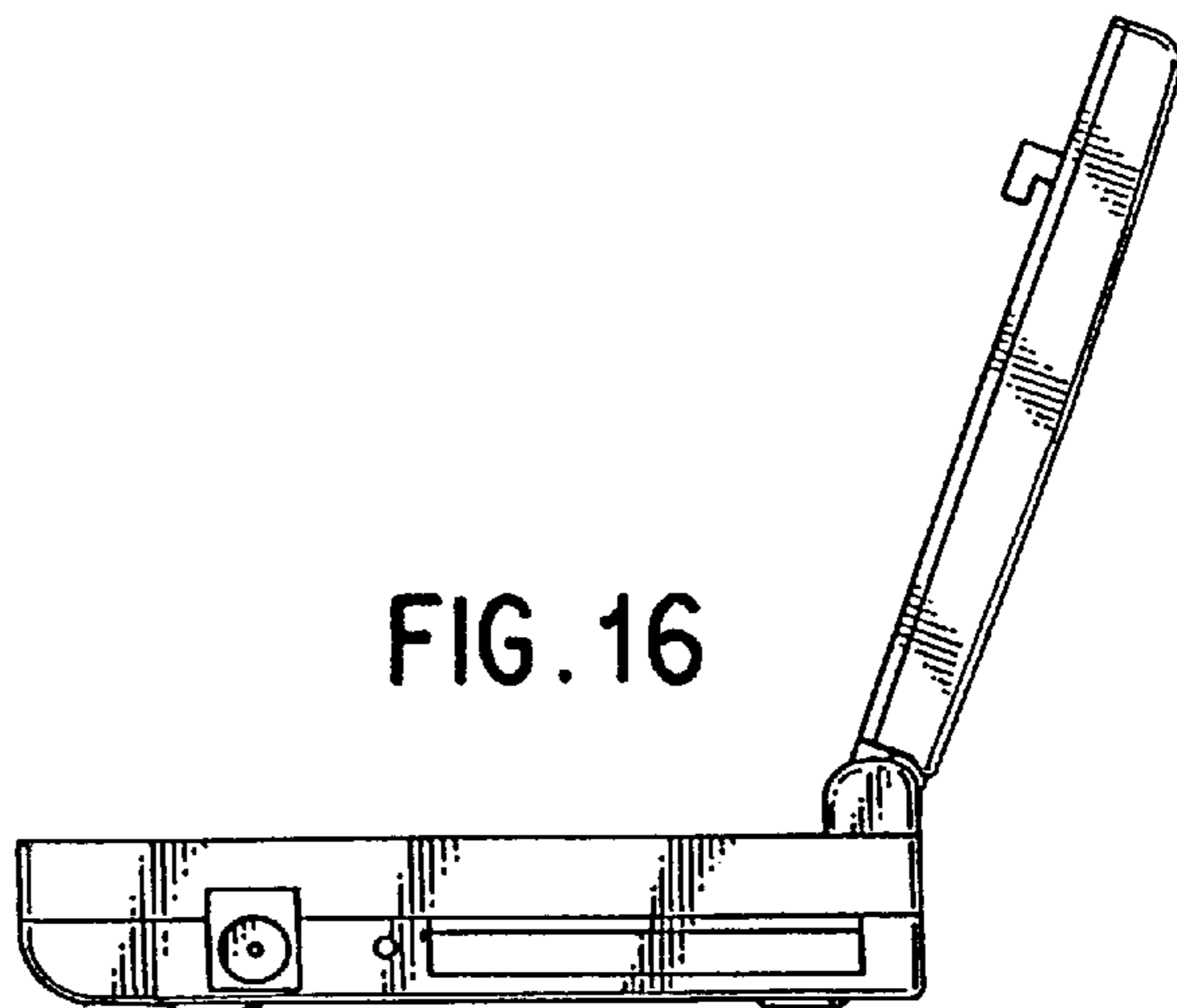


FIG. 16

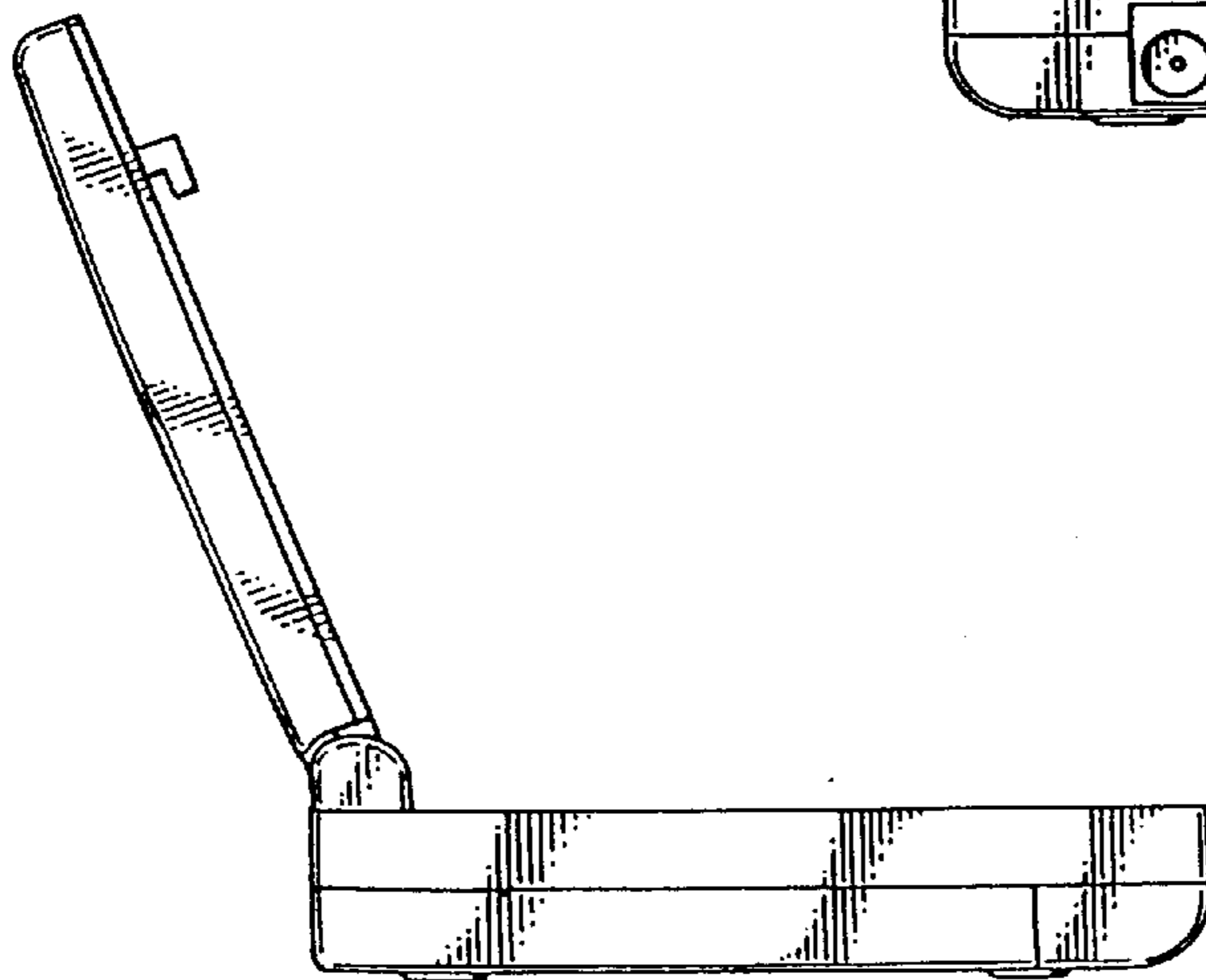


FIG. 17



FIG. 18

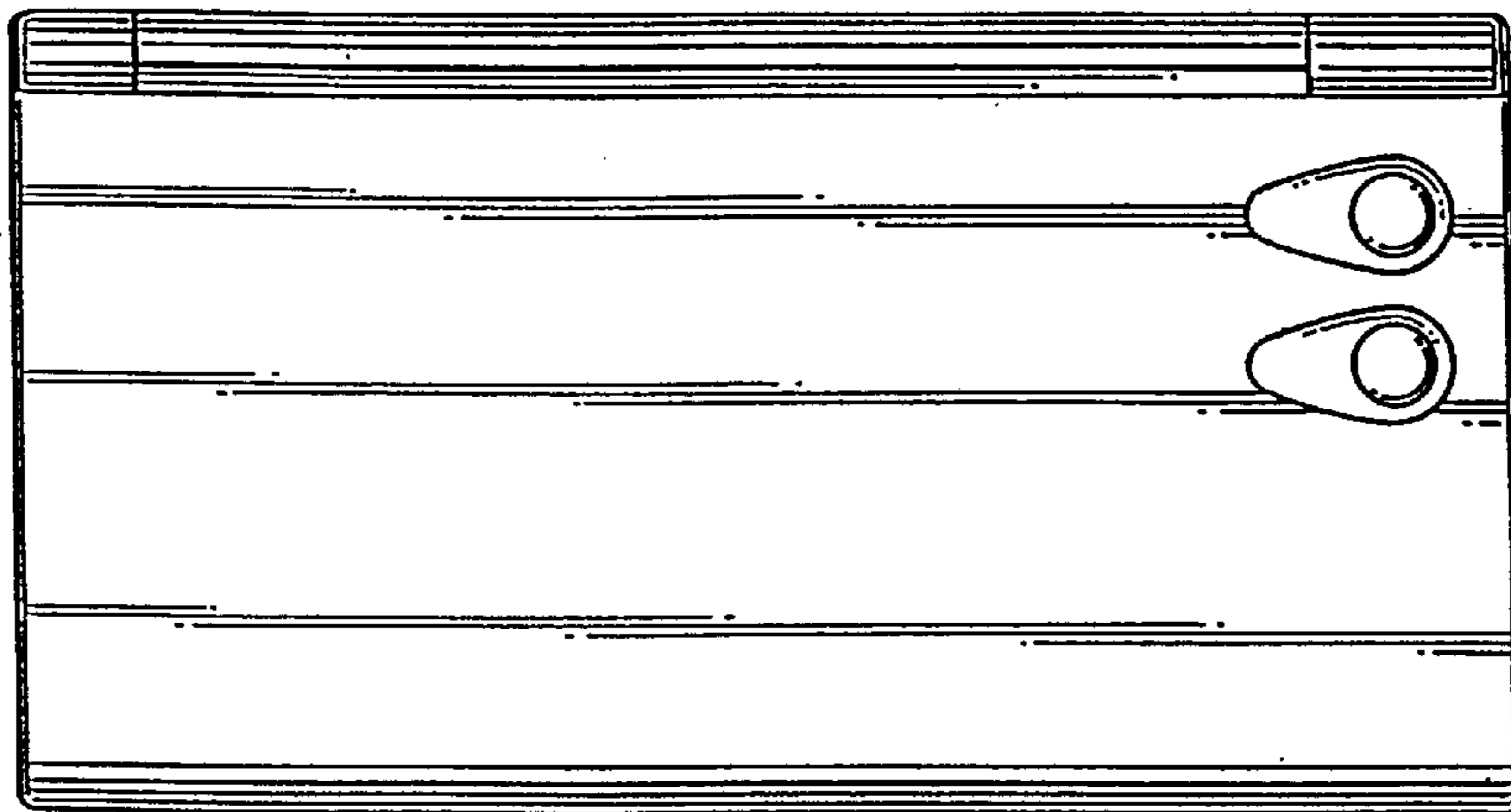


FIG. 19

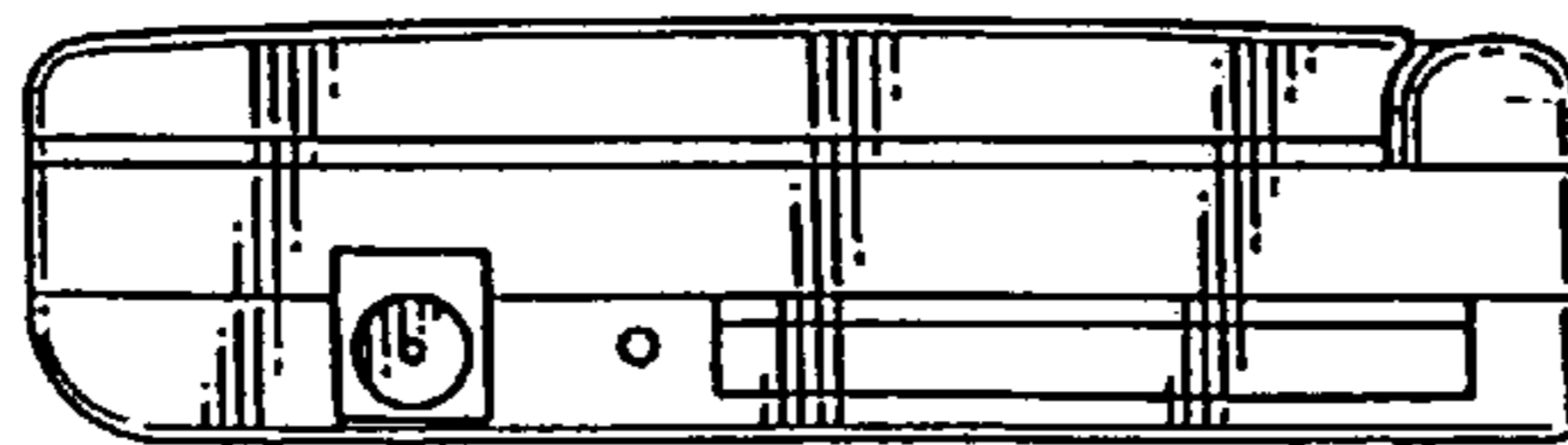


FIG. 20