



US00D405765S

United States Patent [19] Yu

[11] **Patent Number: Des. 405,765**

[45] **Date of Patent: **Feb. 16, 1999**

- [54] **VOLTAGE SURGE PROTECTOR**
- [75] Inventor: **Jeff Yu**, 2491 Ramke Pl., Santa Clara, Calif. 95050
- [73] Assignee: **Jeff Yu**, Santa Clara, Calif.
- [**] Term: **14 Years**
- [21] Appl. No.: **72,427**
- [22] Filed: **Jun. 17, 1997**
- [51] **LOC (6) Cl.** **13-03**
- [52] **U.S. Cl.** **D13/160**
- [58] **Field of Search** D13/123, 124,
D13/137.1, 138.1, 160, 161; 361/56, 89-92,
111

5,726,854 3/1998 Maki et al. 361/56 X
 5,774,317 6/1998 Allina 361/56

Primary Examiner—Brian N. Vinson
Attorney, Agent, or Firm—Richard Liu

[57] CLAIM

The ornamental design for a voltage surge protector, as shown and described.

DESCRIPTION

FIG. 1 is a top, front, right side perspective view of a voltage surge protector, showing our new design; The broken-line disclosure being for illustrative purposes only and forming no part of the claimed design.

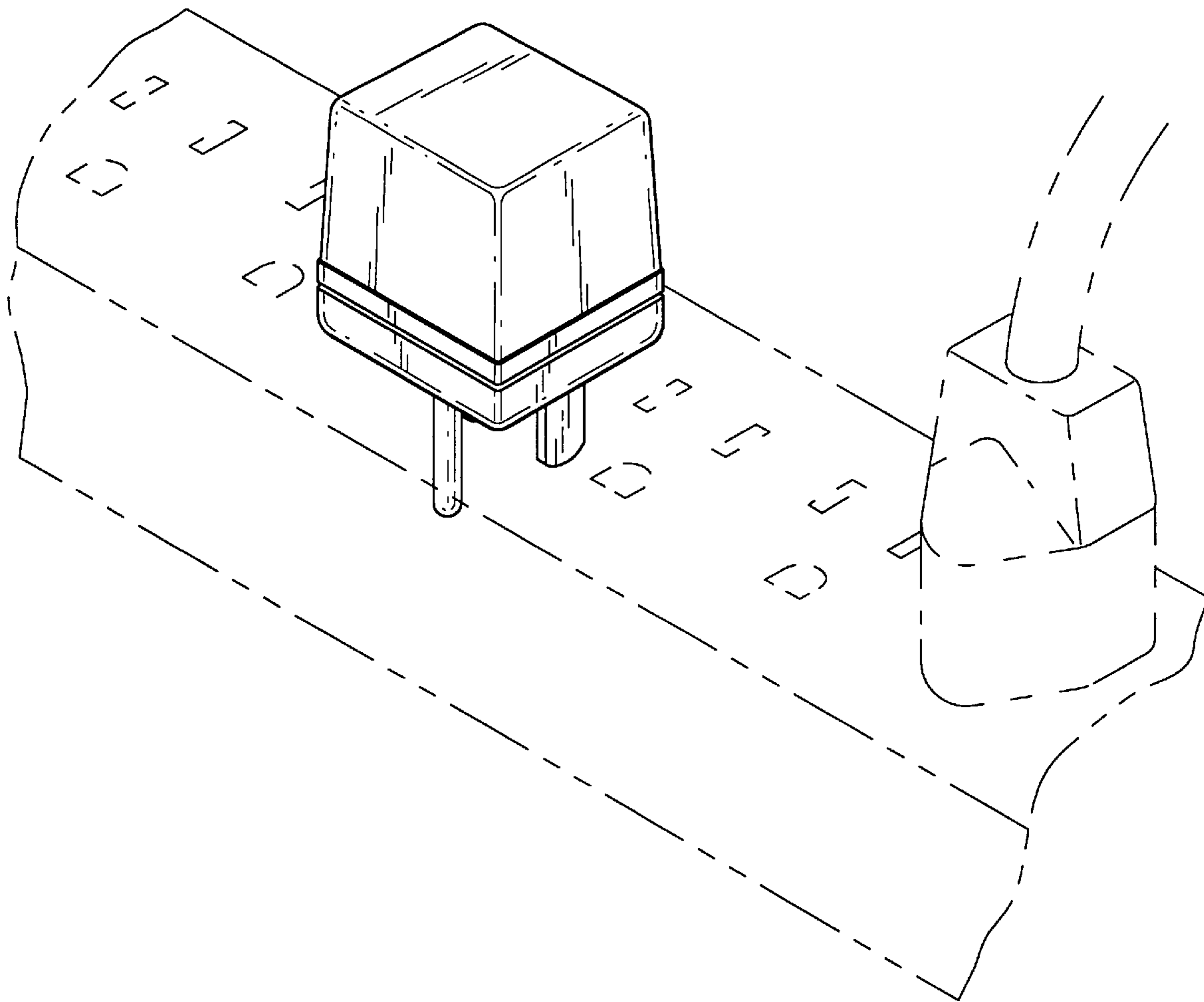
FIG. 2 is a front elevational view thereof;
 FIG. 3 is a right elevational view thereof;
 FIG. 4 is a left side elevational view thereof;
 FIG. 5 a rear elevational view thereof;
 FIG. 6 is a bottom view thereof; and,
 FIG. 7 is a top plan view thereof.

[56] References Cited

U.S. PATENT DOCUMENTS

- D. 314,077 1/1991 Judd et al. D13/160
- D. 315,141 3/1991 Hames D13/160
- 5,568,348 10/1996 Foreman et al. 361/56 X

1 Claim, 2 Drawing Sheets



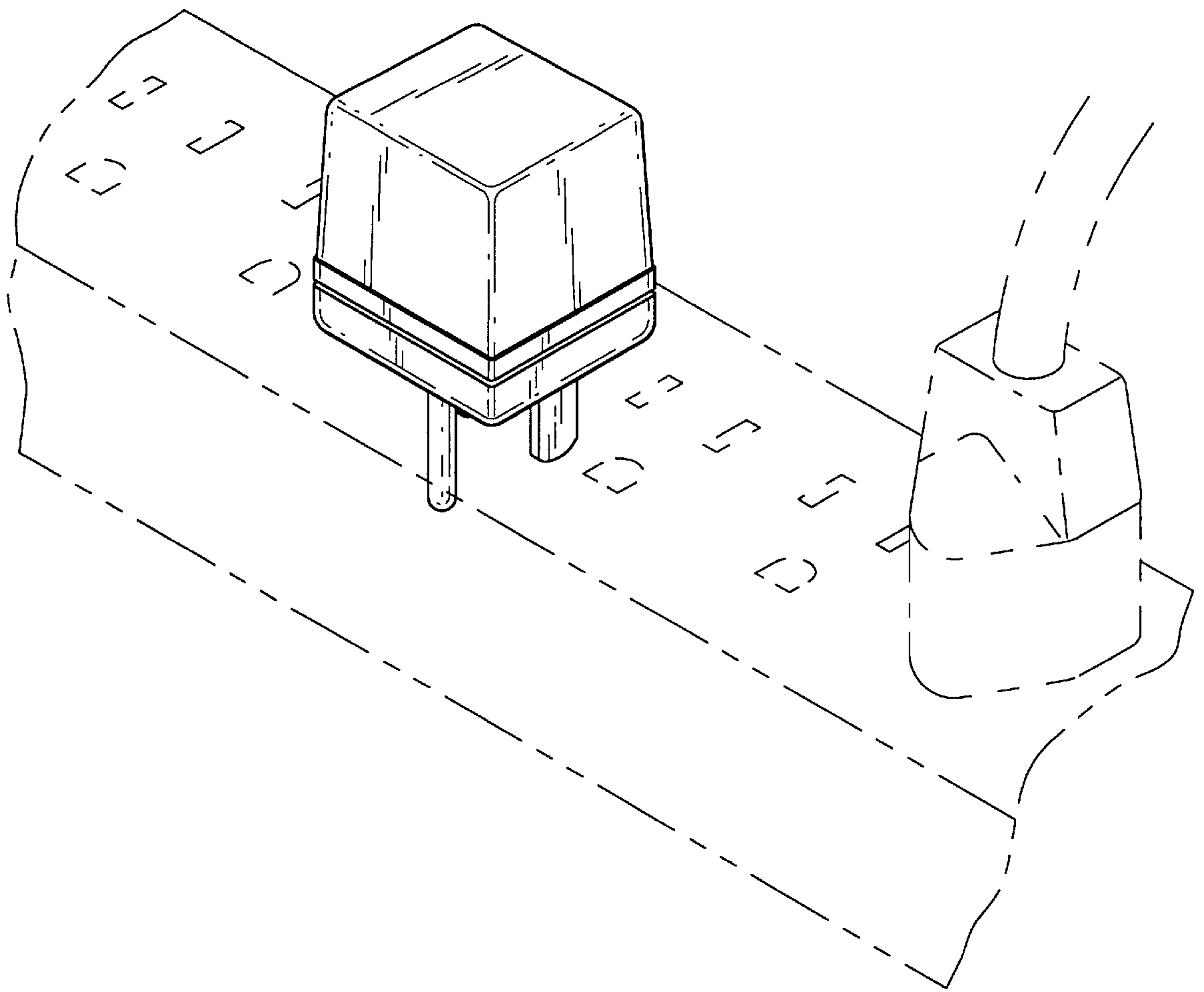


FIG. 1

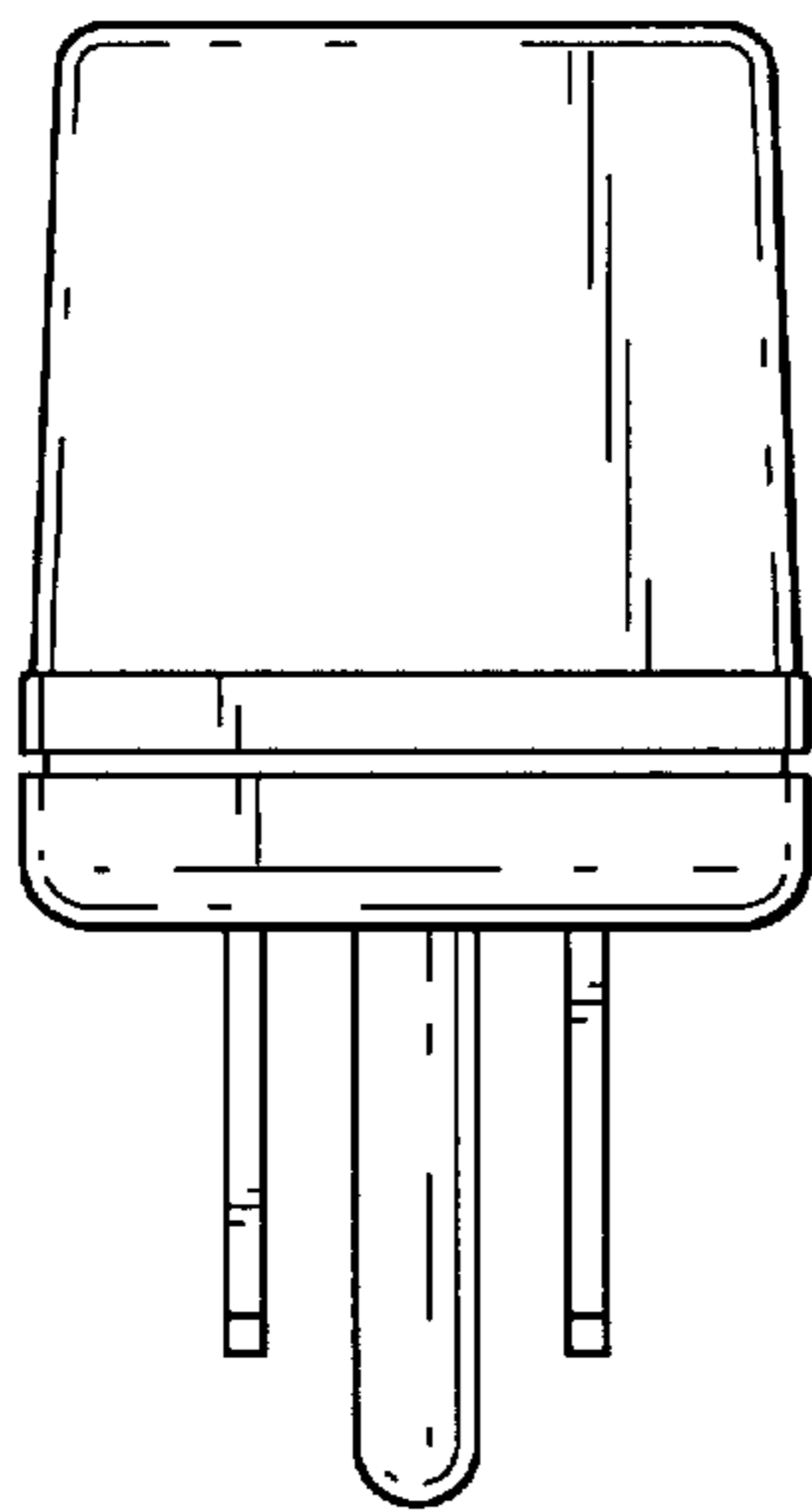


FIG. 2

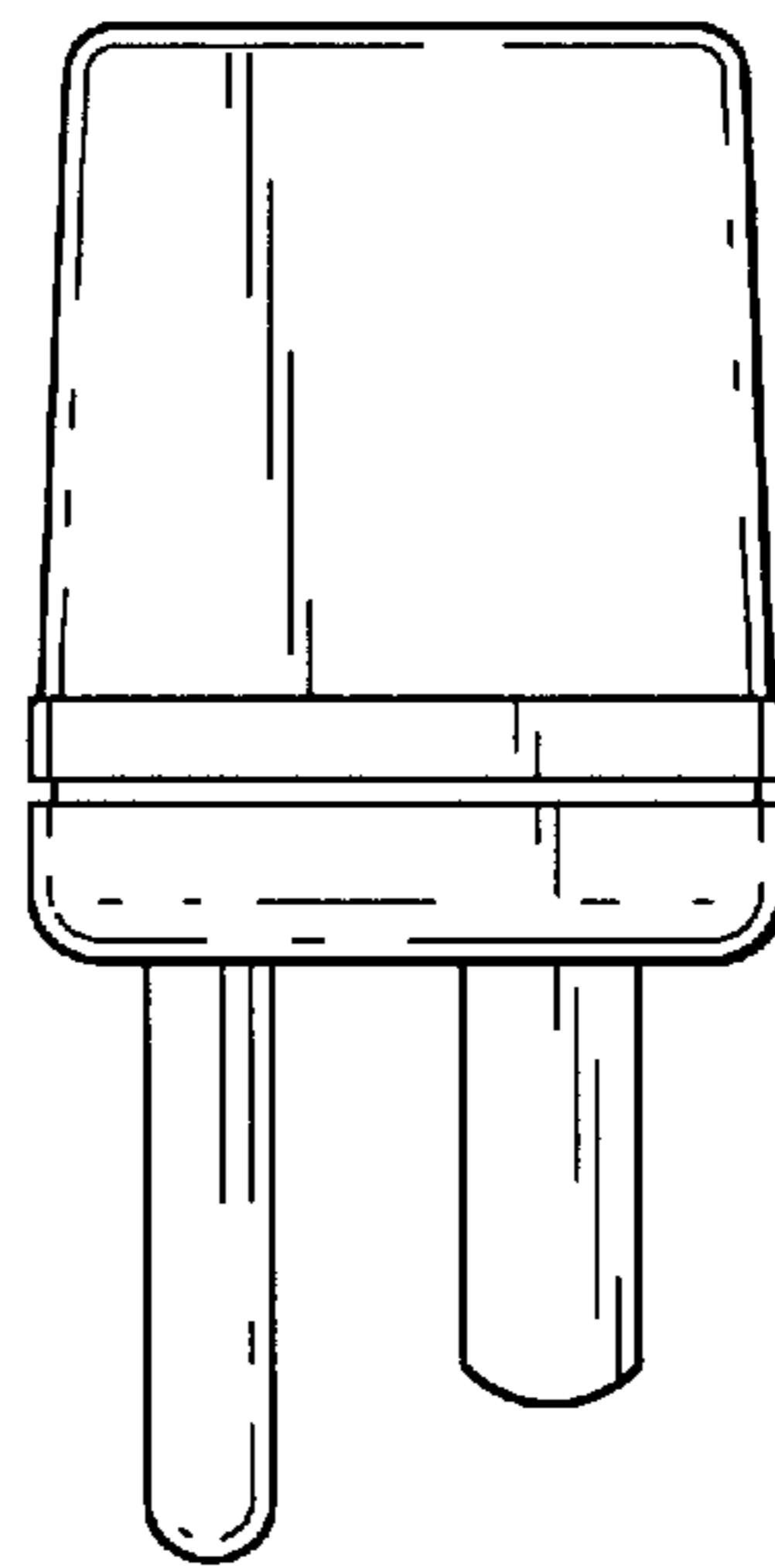


FIG. 3

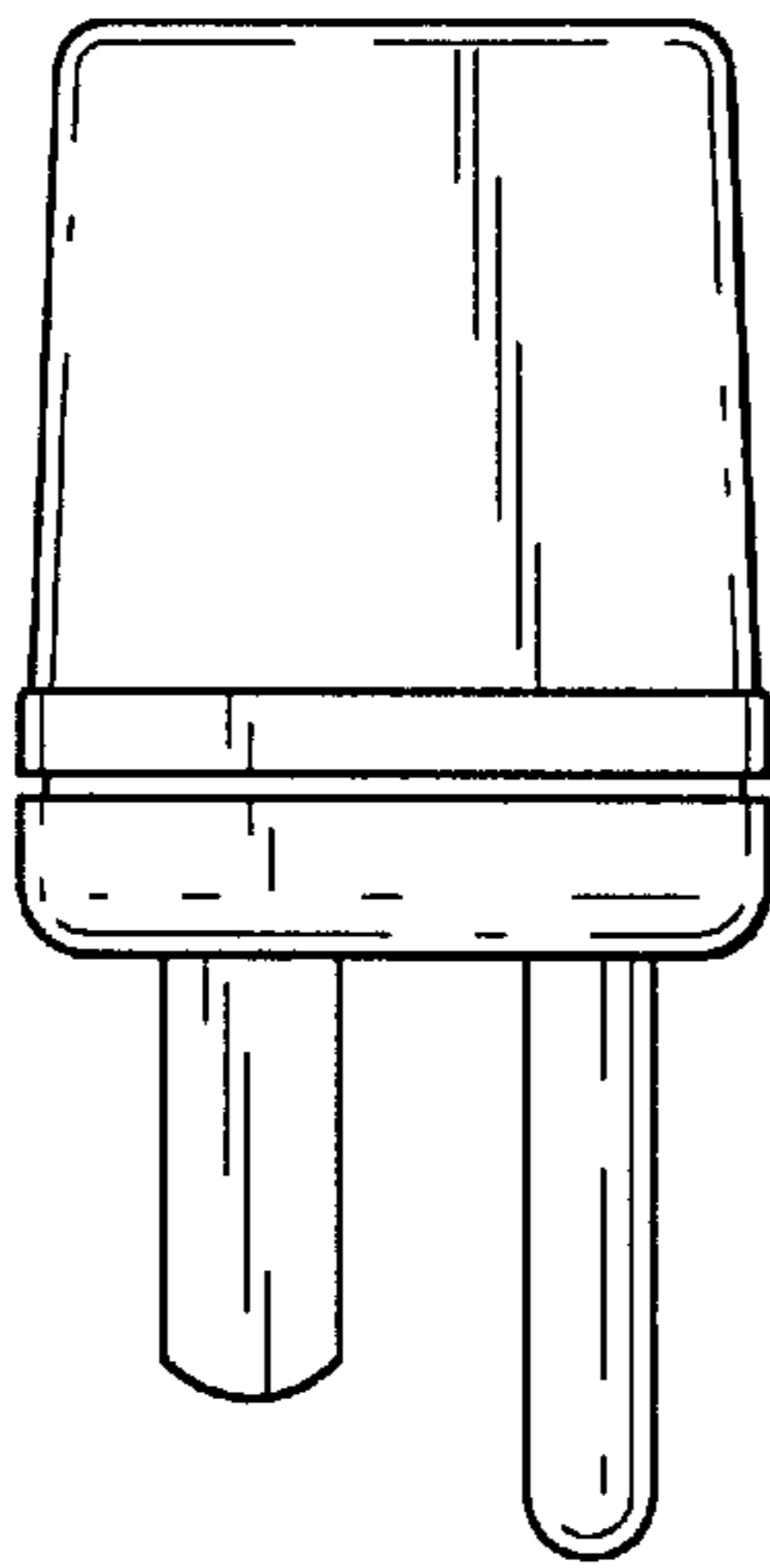


FIG. 4

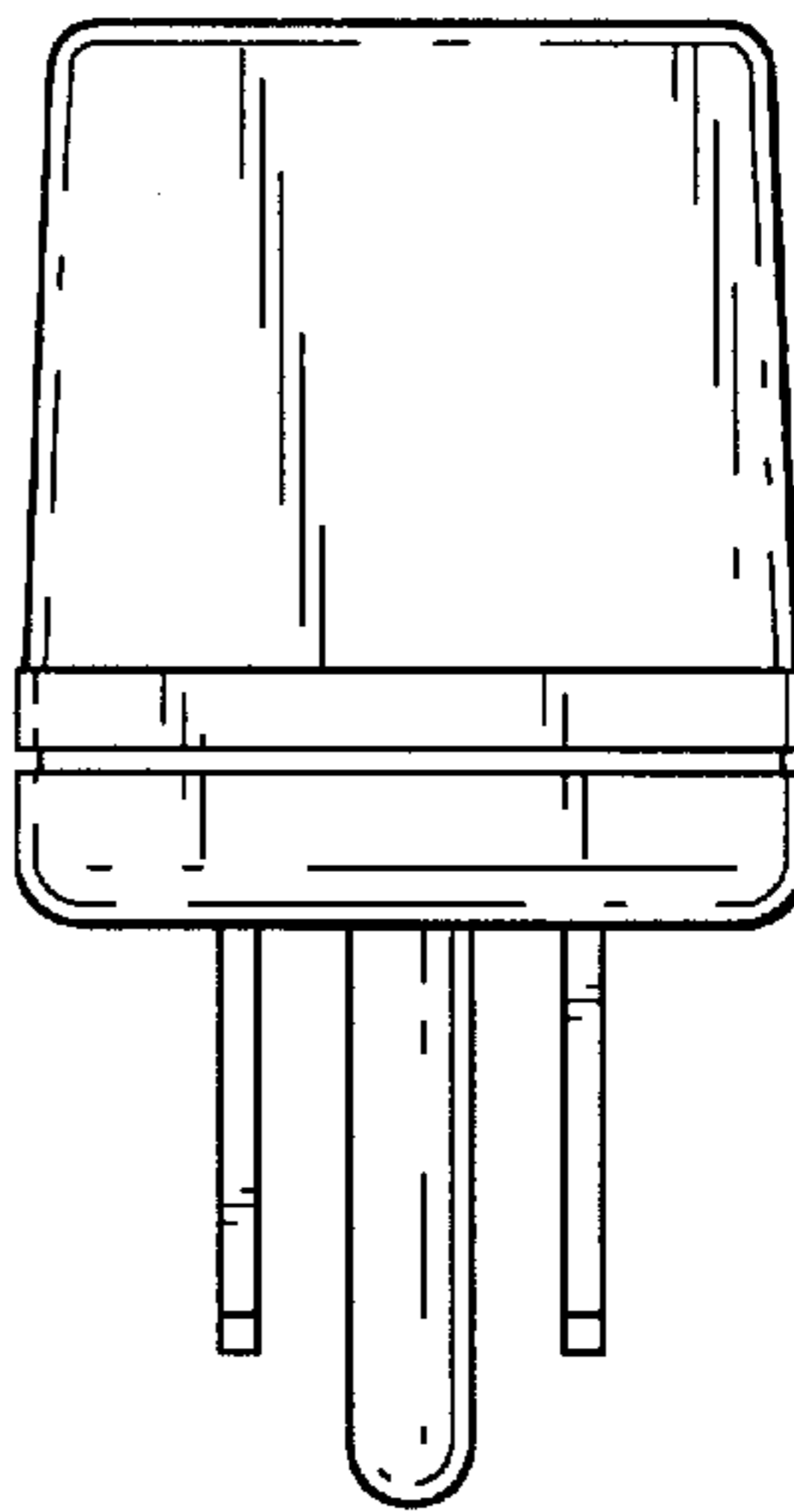


FIG. 5

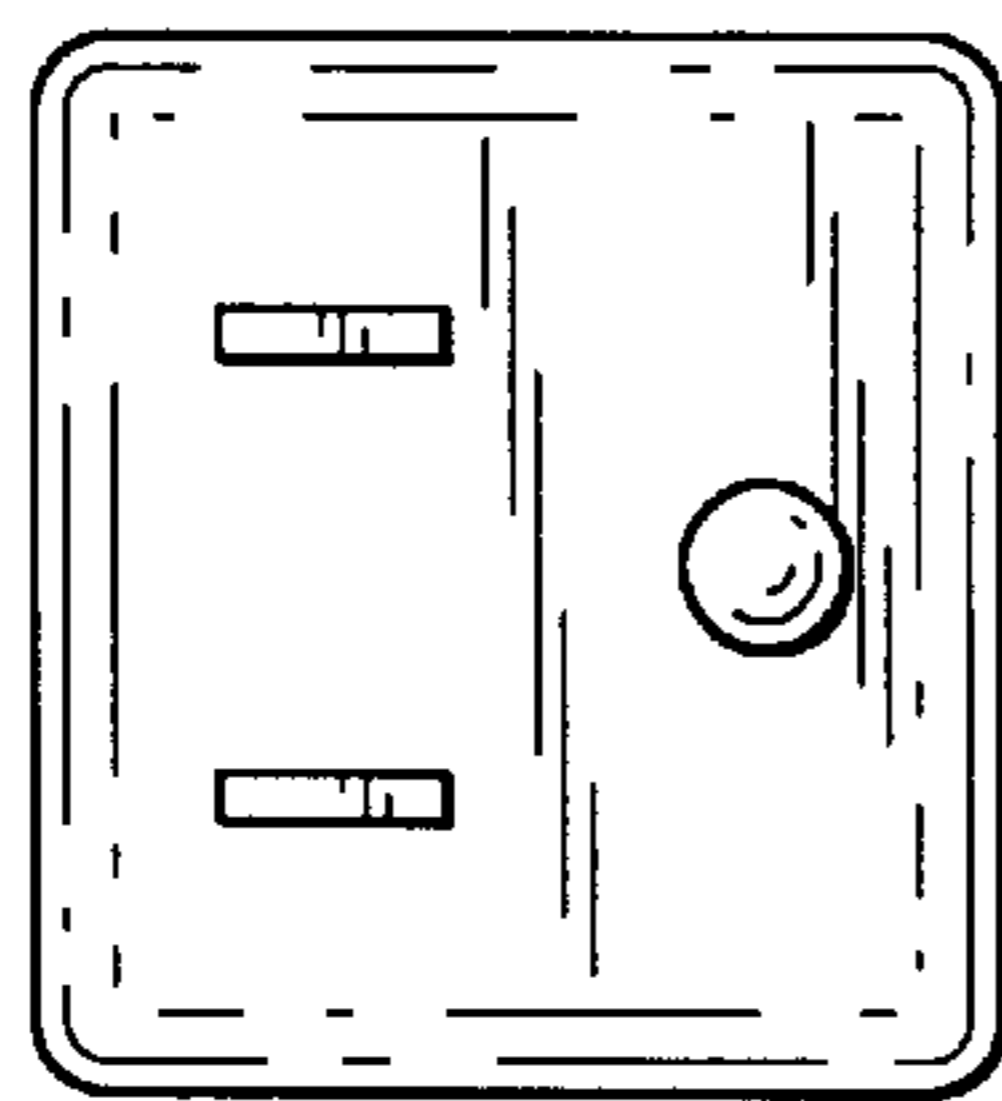


FIG. 6

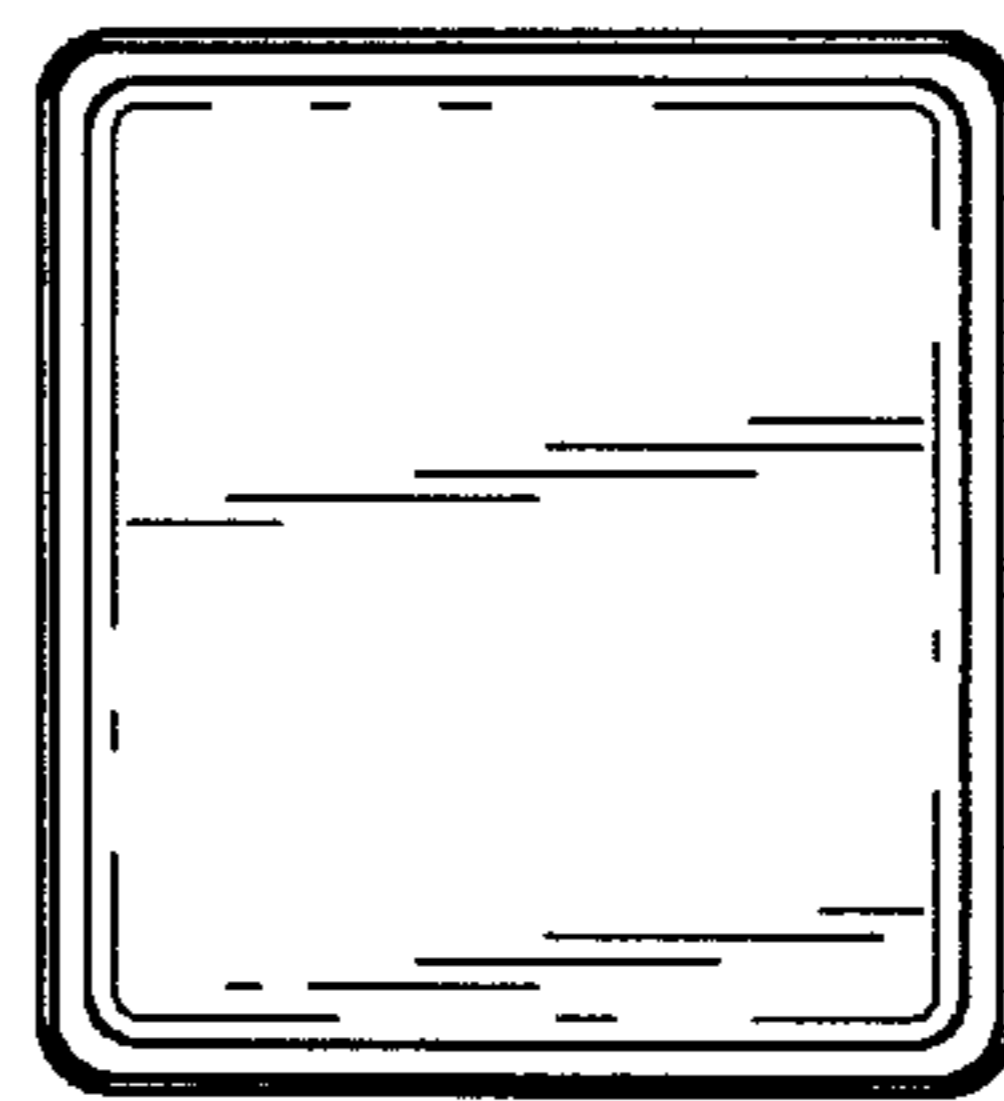


FIG. 7