



US00D405764S

United States Patent [19]
Moshayedi

[11] **Patent Number: Des. 405,764**

[45] **Date of Patent: **Feb. 16, 1999**

[54] **ADAPTOR FOR A MEDIA LINE CONNECTOR**
[75] Inventor: **Mark Moshayedi**, Orange, Calif.
[73] Assignee: **Simple Technology Inc.**, Santa Ana, Calif.
[**] Term: **14 Years**

5,183,404 2/1993 Aldous et al. .
5,336,099 8/1994 Aldous et al. .
5,338,210 8/1994 Beckham et al. .
5,411,405 5/1995 McDaniels et al. .
5,547,401 8/1996 Aldous et al. .
5,562,504 10/1996 Moshayedi .
5,634,802 6/1997 Kerlaan 439/676 X
5,637,018 6/1997 Gargiulo 439/640

[21] Appl. No.: **86,896**
[22] Filed: **Apr. 22, 1998**

Primary Examiner—Joel Sincavage
Attorney, Agent, or Firm—Knobbe, Martens, Olson & Bear, LLP

Related U.S. Application Data

[62] Division of Ser. No. 723,911, Sep. 30, 1996, which is a division of Ser. No. 368,412, Jan. 4, 1995, Pat. No. 5,562,504.

[51] **LOC (6) Cl.** **13-03**
[52] **U.S. Cl.** **D13/147**
[58] **Field of Search** D13/147; 439/638, 439/676, 131

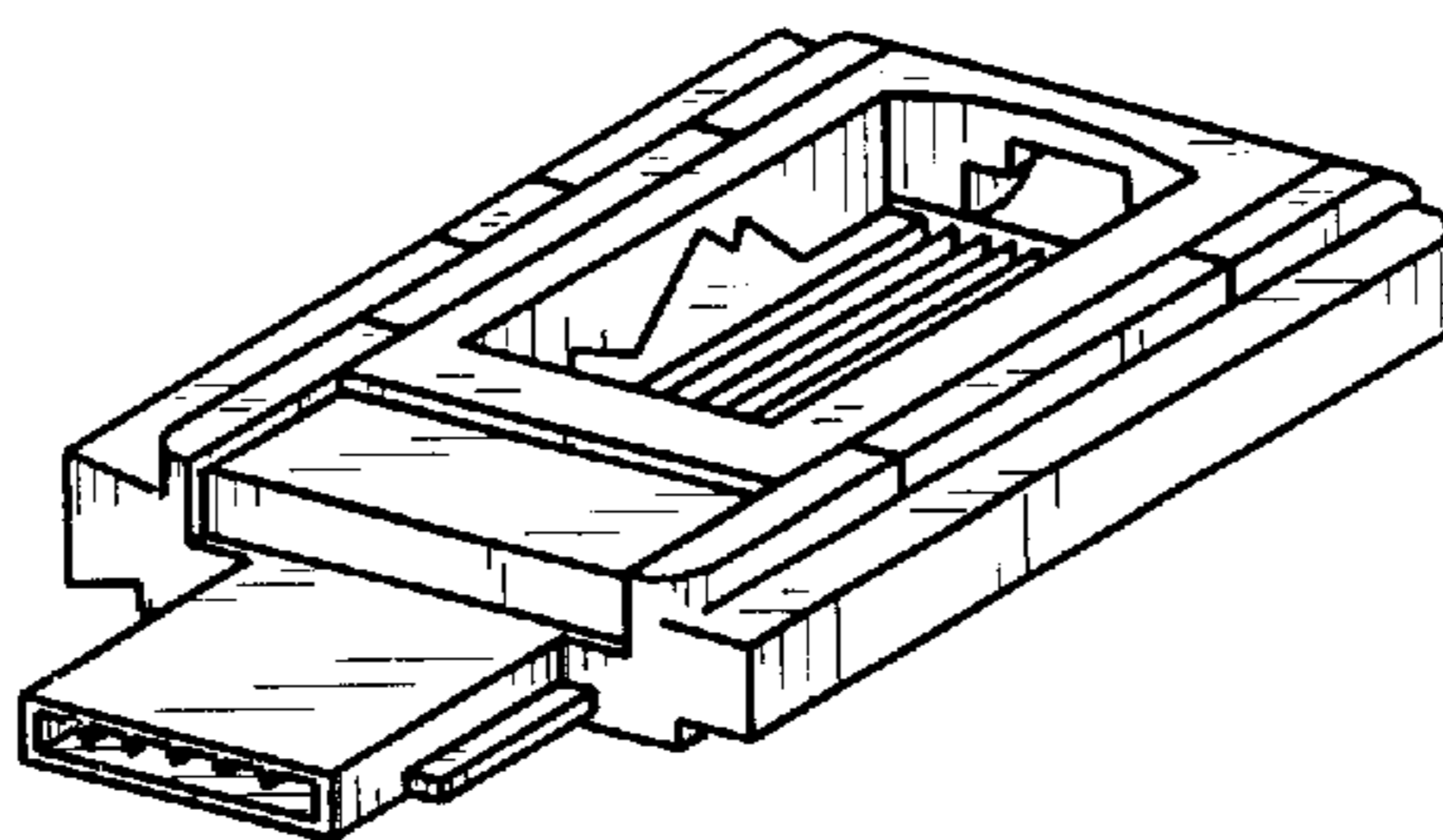
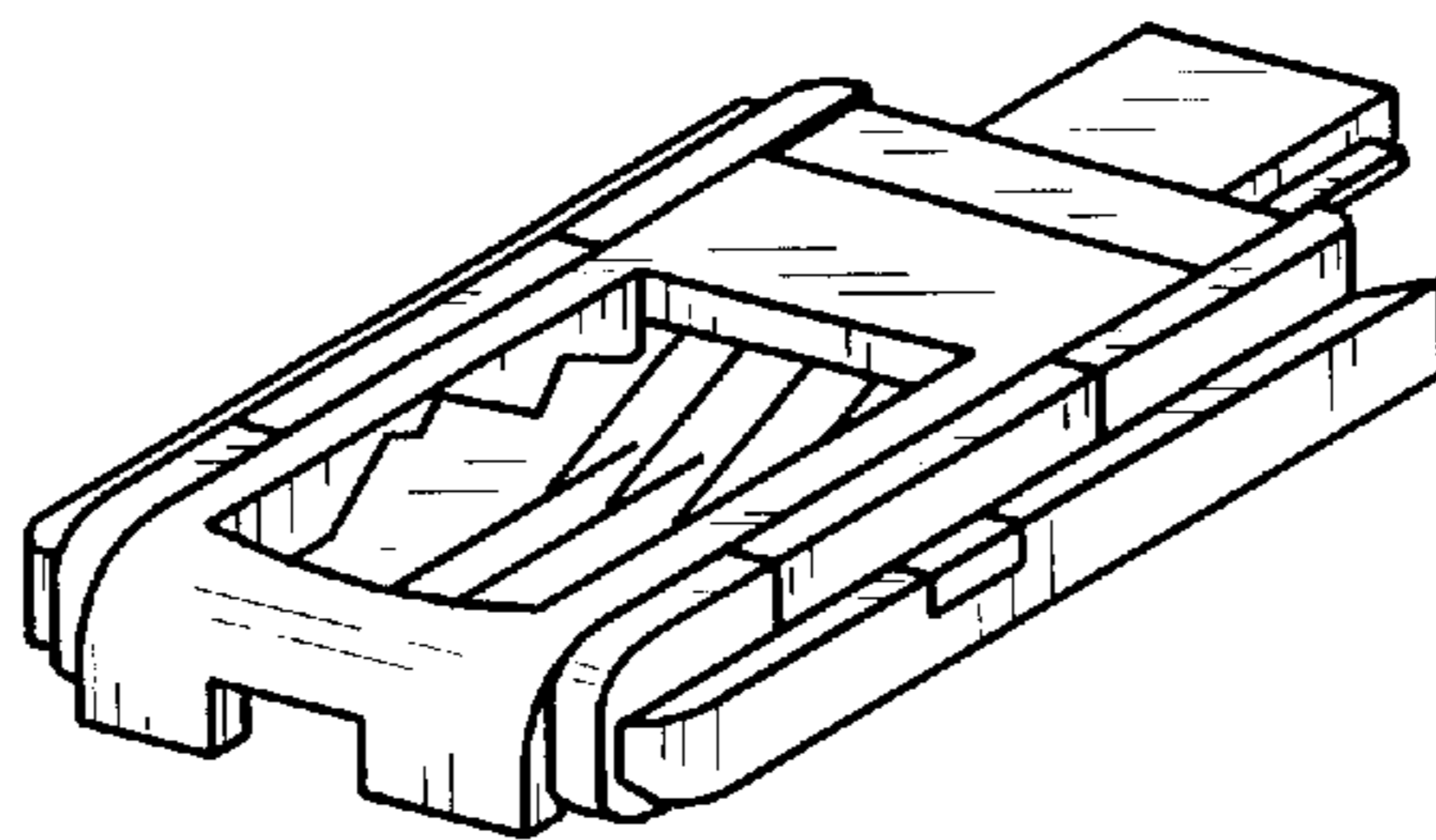
[57] **CLAIM**
The ornamental design for an adaptor for a media line connector, as shown.

DESCRIPTION

FIG. 1 is a perspective view from a top-front-right side perspective of an adaptor for a media line connector showing the new design;
FIG. 2 is a perspective view from a top-rear-left side perspective thereof; and,
FIG. 3 is a bottom plan view thereof.

[56] **References Cited**
U.S. PATENT DOCUMENTS
4,778,410 10/1988 Tanaka .

1 Claim, 1 Drawing Sheet



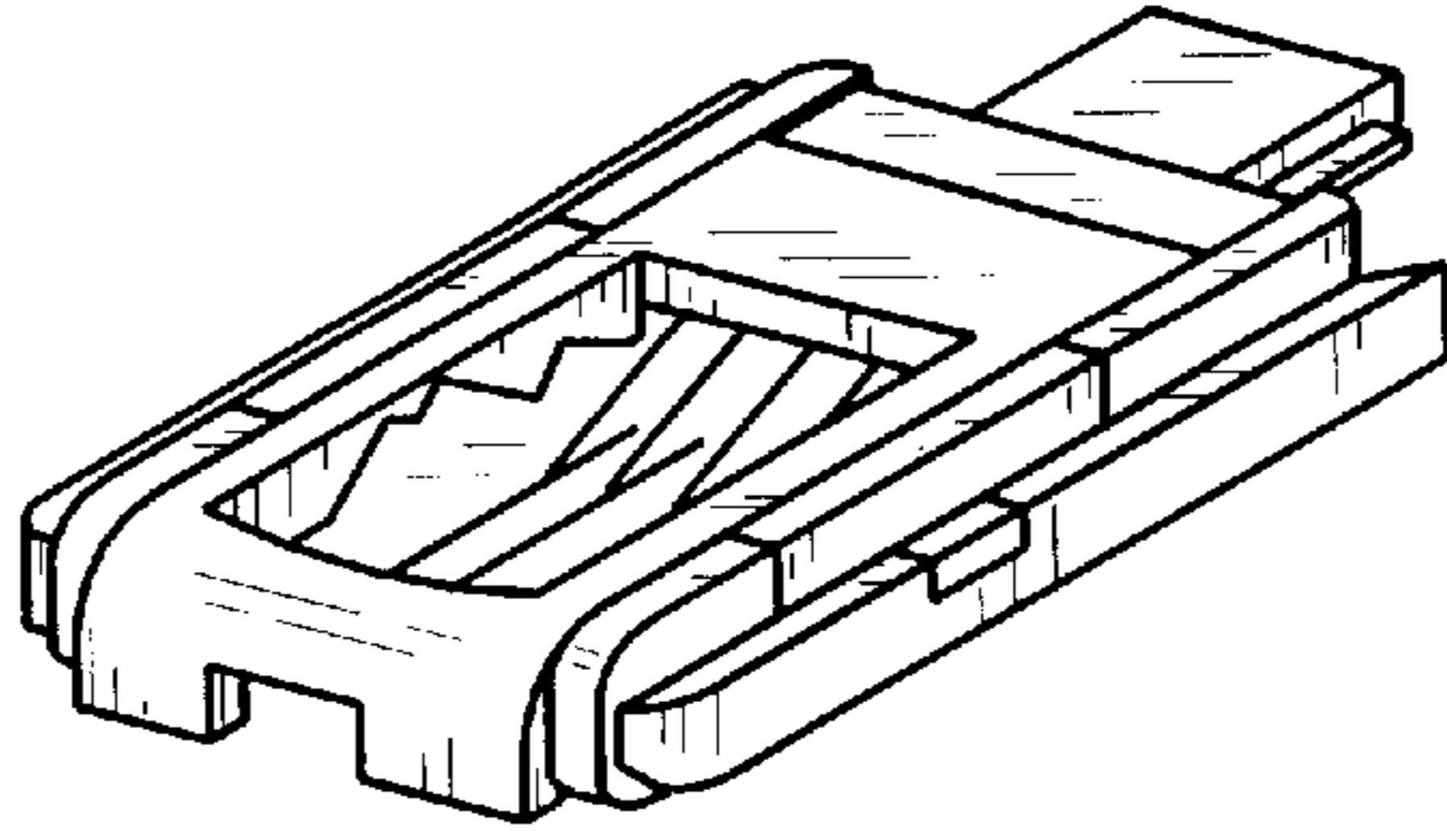


FIG. 1

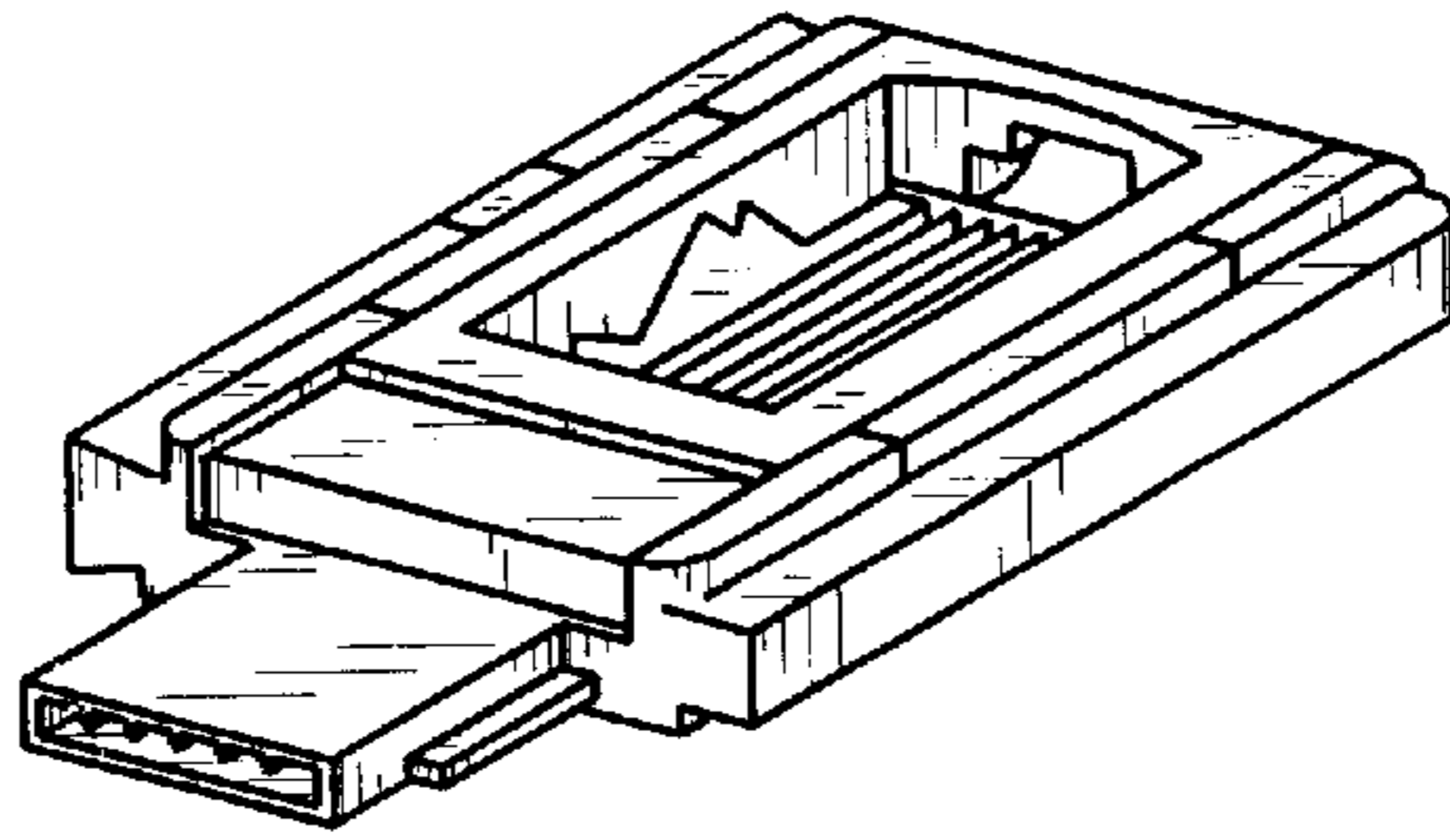


FIG. 2

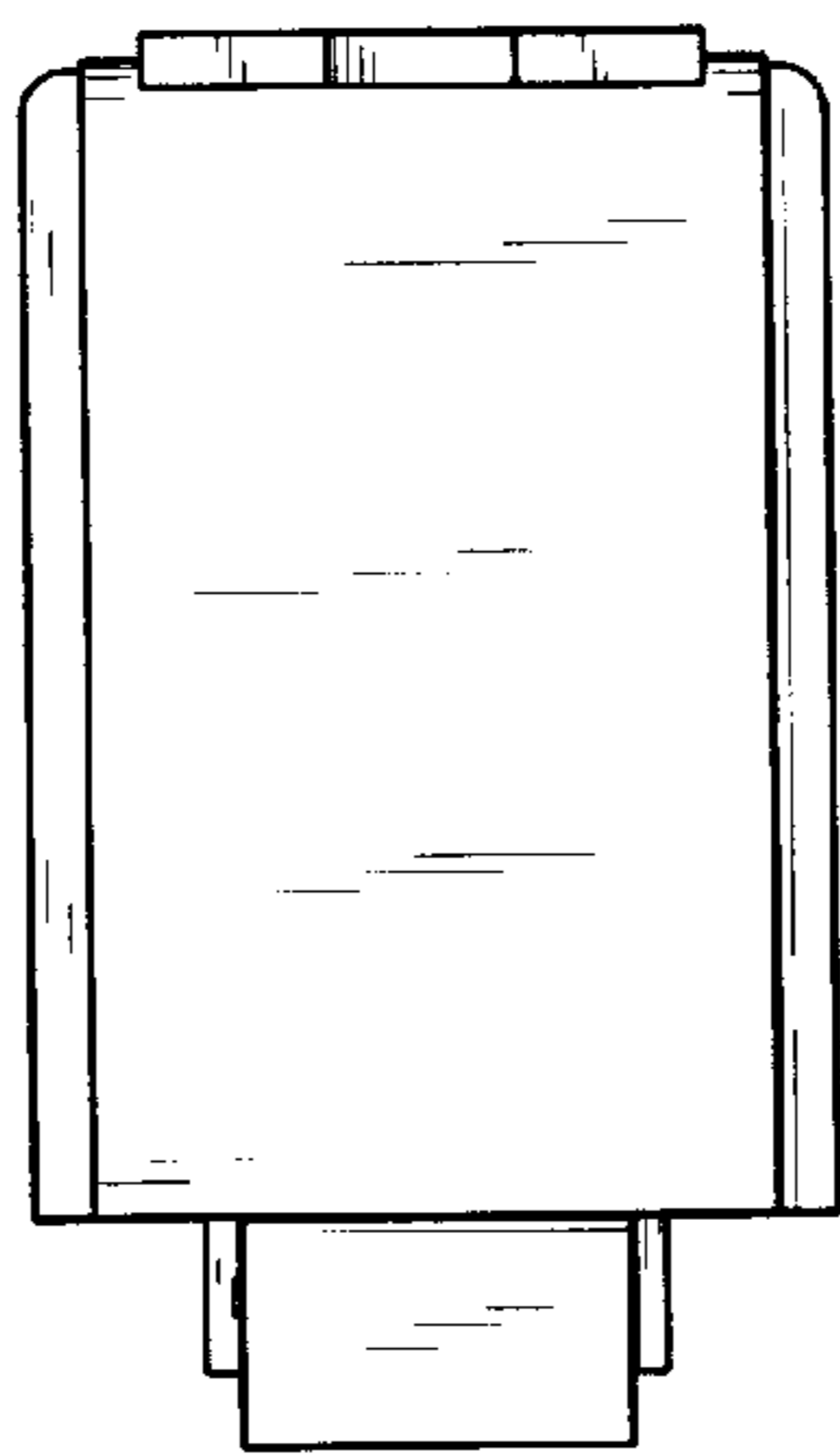


FIG. 3