



US00D405763S

United States Patent [19] Crane et al.

[11] Patent Number: Des. 405,763

[45] Date of Patent: **Feb. 16, 1999

[54] POWER STRIP HOUSING

[75] Inventors: John J. Crane, Ramona, Calif.; Walter Bailey, Zanesville, Calif.

[73] Assignee: Fiskars Inc., Madison, Wis.

[**] Term: 14 Years

[21] Appl. No.: 78,727

[22] Filed: Oct. 15, 1997

[51] LOC (6) Cl. 13-03

[52] U.S. Cl. D13/139.4

[58] Field of Search 174/50, 53, 54, 174/55, 58, 56, 48, 49, 66, 67, 65 R; 220/242; 439/535, 892; D13/139.1-139.8

[56] **References Cited**

U.S. PATENT DOCUMENTS

D. 194,870	3/1963	Hill .	
D. 210,377	3/1968	Rodrigo .	
D. 240,234	6/1976	Bunnell	D13/139.4 X
D. 299,821	2/1989	Dively .	
D. 301,576	6/1989	Wang .	
D. 303,247	9/1989	Brownlie	D13/139.4
D. 368,467	4/1996	Parshad	D13/139.8
D. 369,784	5/1996	Pogue et al. .	
D. 380,733	7/1997	Parshad	D13/139.6
4,154,499	5/1979	Weber .	

4,470,656	9/1984	Moser et al.	439/535
4,505,403	3/1985	Bowden, Jr. et al.	220/242
4,627,684	12/1986	D'Amato	439/892
4,628,684	12/1986	D'Amata .	
4,838,814	6/1989	Takai et al. .	
5,122,069	6/1992	Bownlie et al.	174/53 X
5,796,037	8/1998	Young et al.	174/50

Primary Examiner—Susan J. Lucas
Assistant Examiner—Jennifer Rivard
Attorney, Agent, or Firm—Foley & Lardner

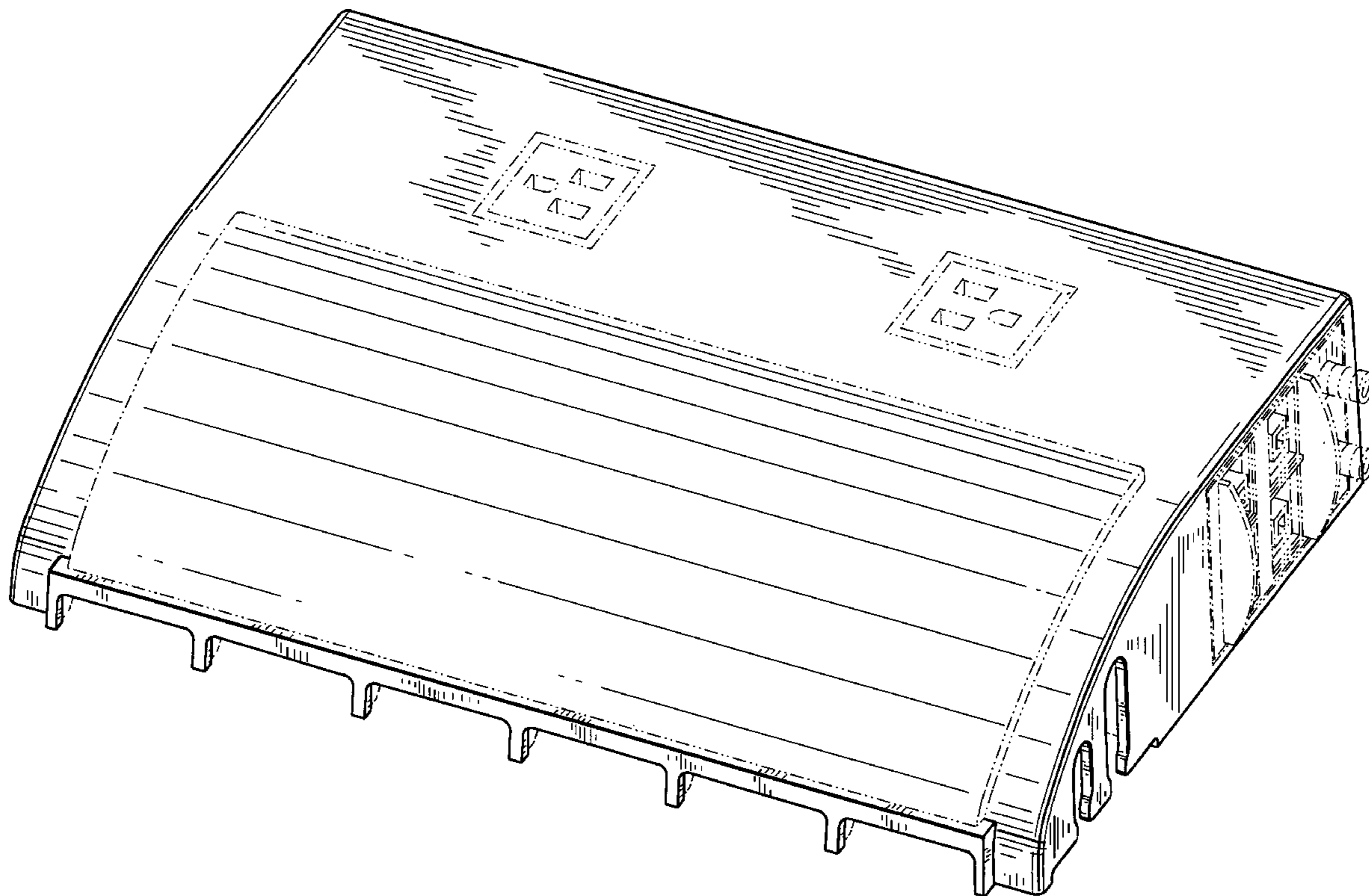
[57] **CLAIM**

The ornamental design for a power strip housing, as shown and described.

DESCRIPTION

FIG. 1 is a perspective view of a power strip housing in accordance with our new design;
FIG. 2 is a top plan view thereof;
FIG. 3 is a bottom plan view thereof;
FIG. 4 is a front elevational view thereof;
FIG. 5 is a rear elevational view thereof;
FIG. 6 is a right side elevational view thereof; and,
FIG. 7 is a left side elevational view thereof.
The broken lines showing further details of the power strip housing are for illustrative purposes only and form no part of the claimed design.

1 Claim, 5 Drawing Sheets



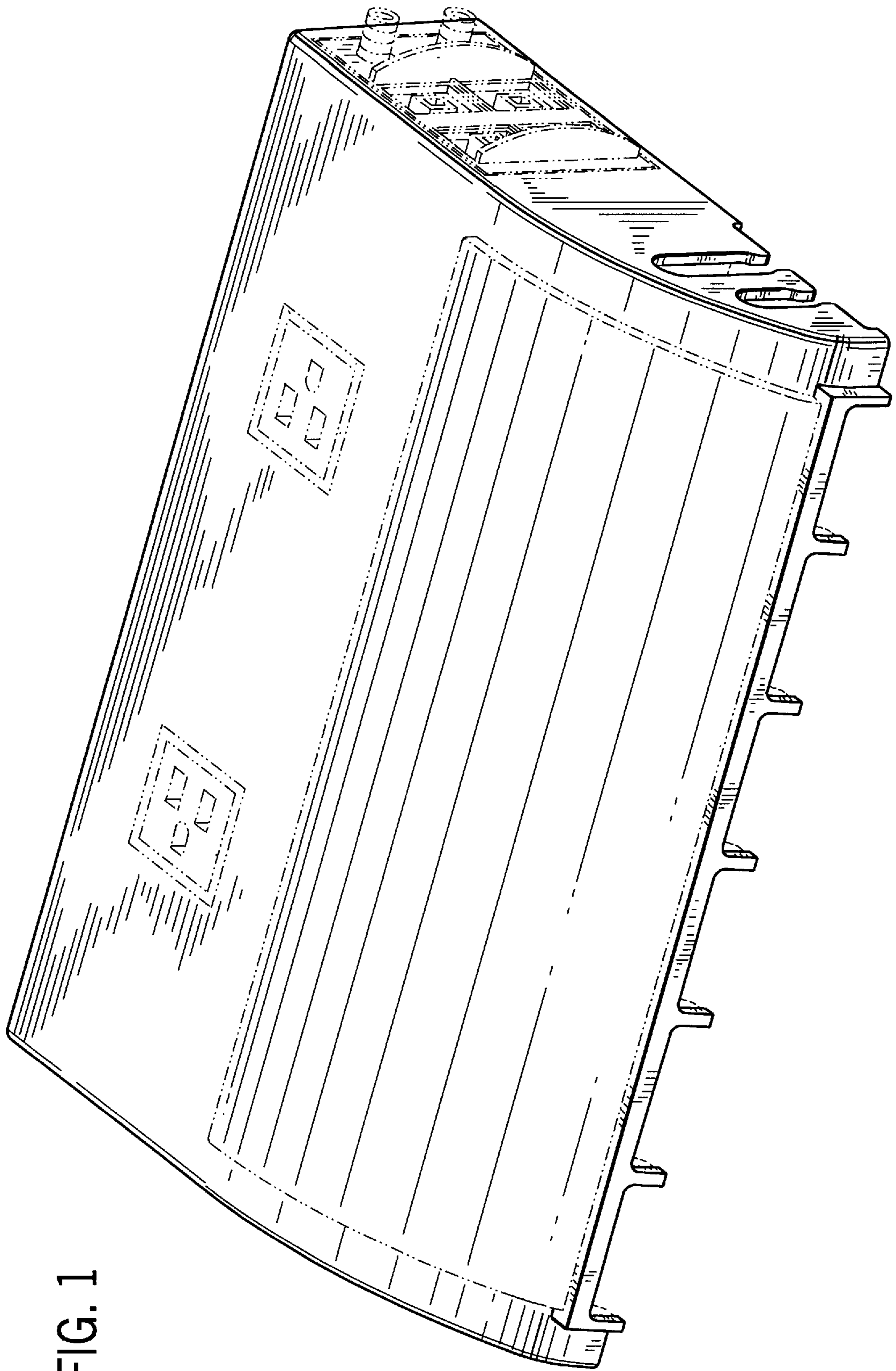


FIG. 1

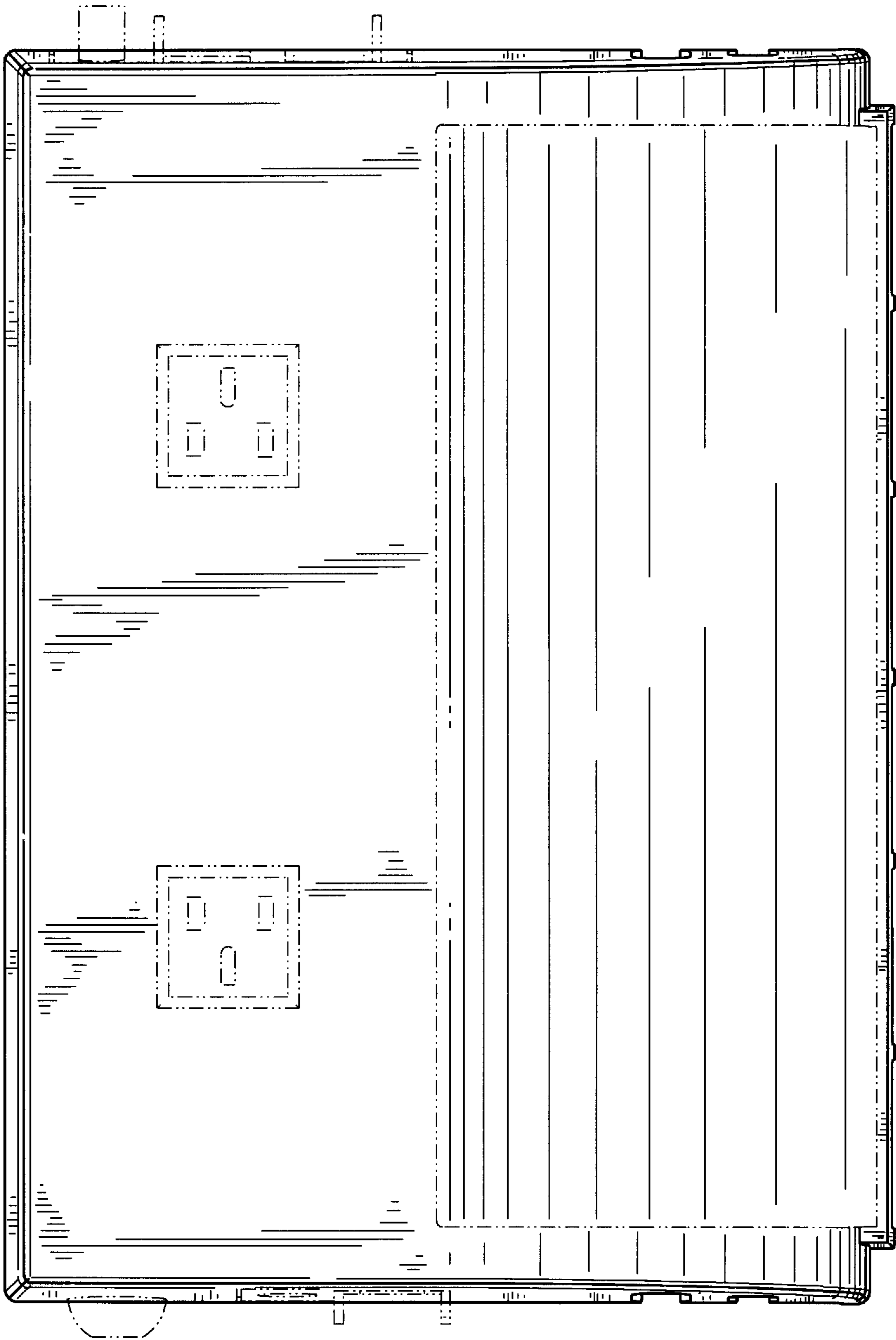


FIG. 2

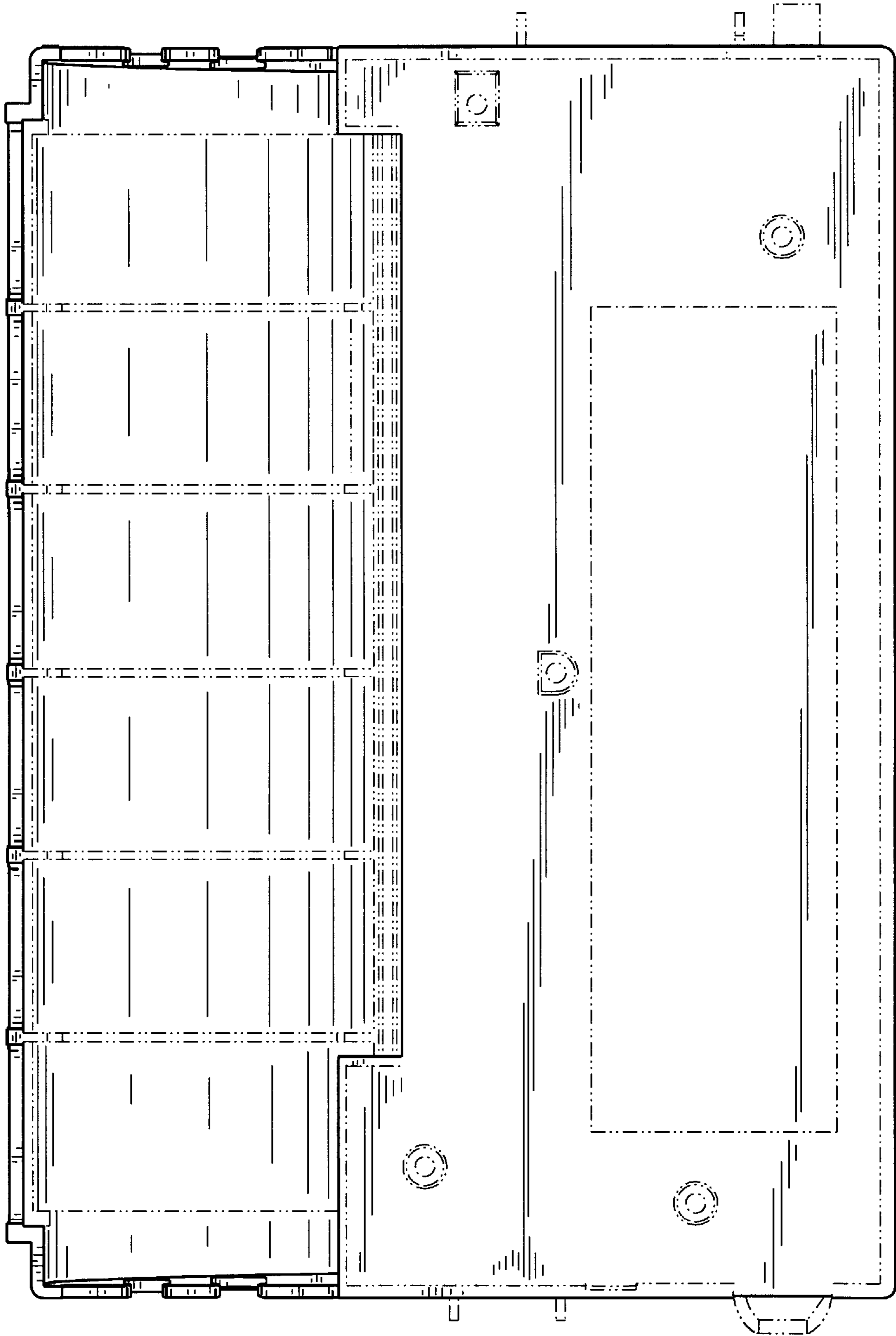


FIG. 3

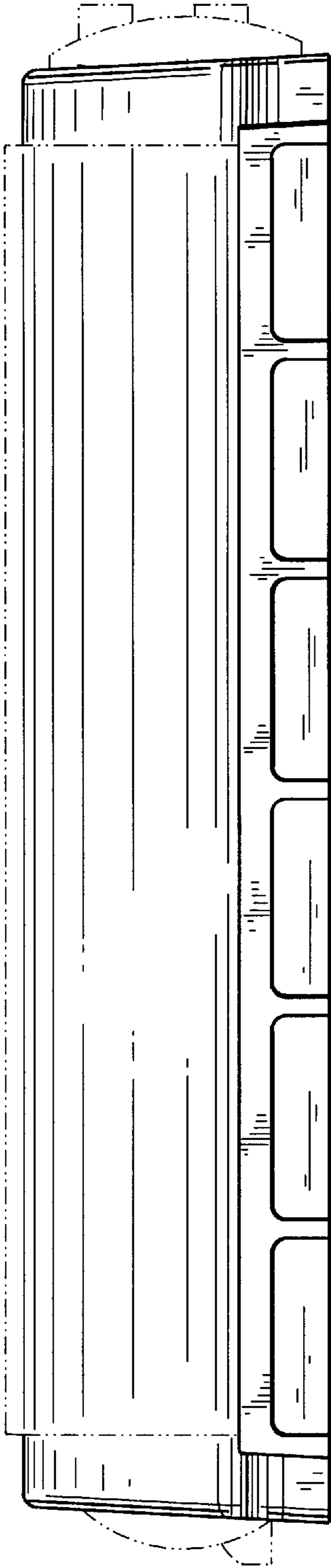


FIG. 4

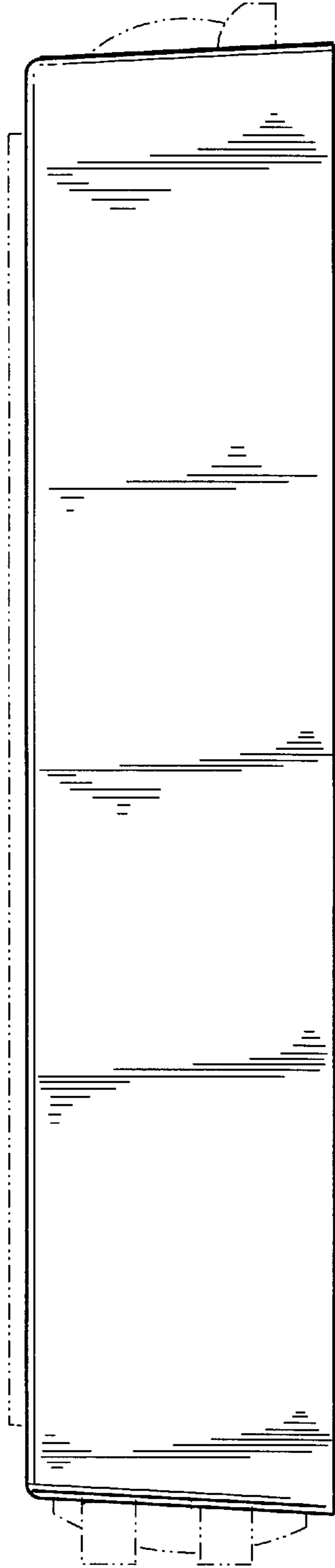


FIG. 5

FIG. 6

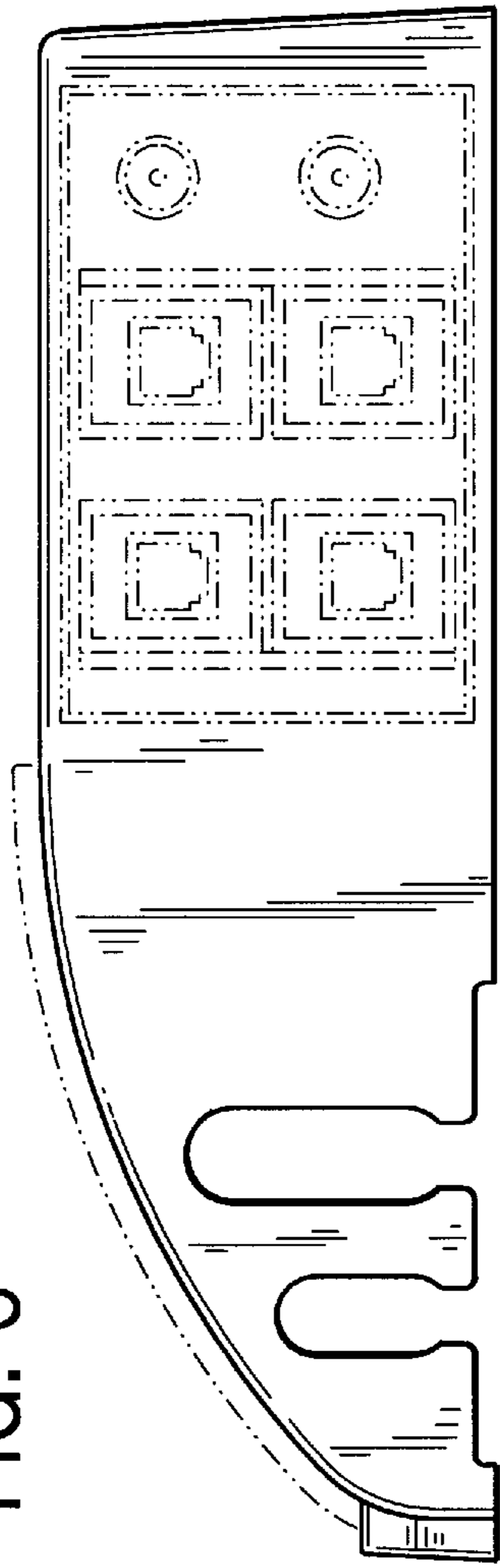
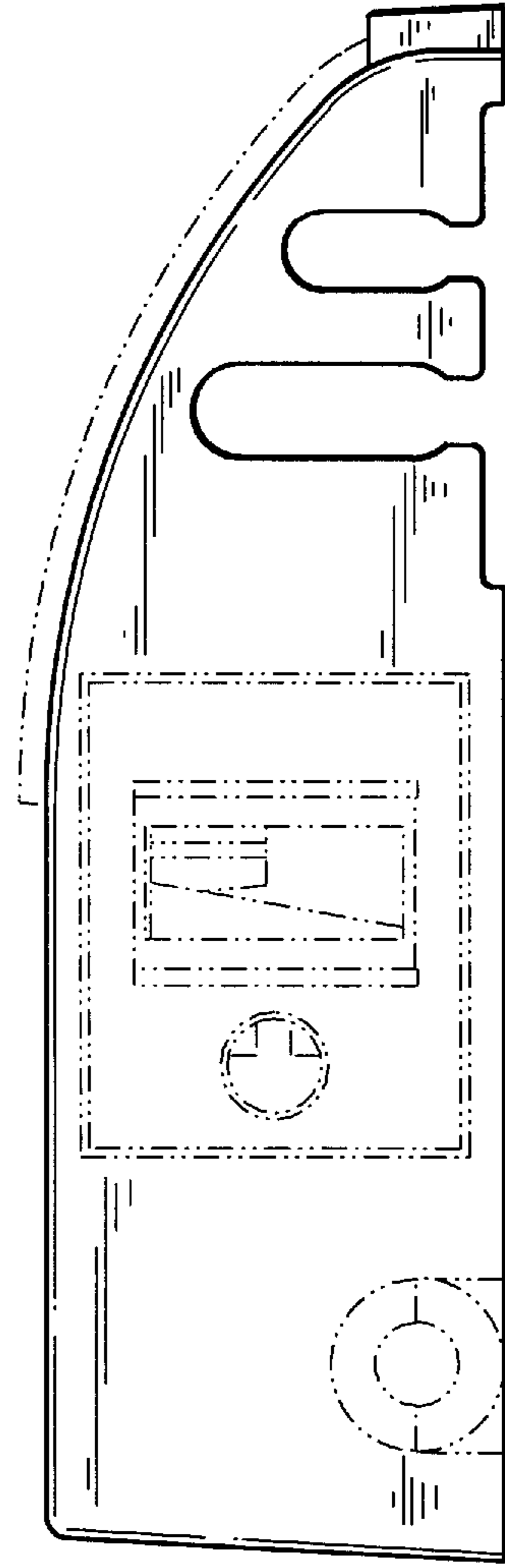


FIG. 7



UNITED STATES PATENT AND TRADEMARK OFFICE
CERTIFICATE OF CORRECTION

Des. 405,763

PATENT NO. :

DATED : February 16, 1999

INVENTOR(S) :

Crane et al.

It is certified that error appears in the above-identified patent and that said Letters Patent is hereby corrected as shown below:

Title page, Item [75], inventor Walter Bailey's residence should be changed from "Zanesville, Calif." to--Zanesville, Ohio--.

Signed and Sealed this
Sixth Day of June, 2000

Attest:



Q. TODD DICKINSON

Attesting Officer

Director of Patents and Trademarks