



US00D405762S

# United States Patent [19] Crane et al.

[11] Patent Number: **Des. 405,762**

[45] Date of Patent: **\*\*Feb. 16, 1999**

[54] **POWER STRIP HOUSING**

[75] Inventors: **John J. Crane**, Ramona, Calif.; **Walter Bailey**, Zanesville, Ohio

[73] Assignee: **Fiskars Inc.**, Madison, Wis.

[\*\*] Term: **14 Years**

[21] Appl. No.: **78,726**

[22] Filed: **Oct. 15, 1997**

[51] **LOC (6) Cl.** ..... **13-03**

[52] **U.S. Cl.** ..... **D13/139.4**

[58] **Field of Search** ..... 174/50, 53, 54,  
174/55, 58, 56, 48, 49, 66, 67; 220/242;  
439/535, 892; D13/139.1-139.8

[56] **References Cited**

**U.S. PATENT DOCUMENTS**

D. 194,870	3/1963	Hill .	
D. 210,377	3/1968	Rodrigo .	
D. 240,234	6/1976	Bunnell .....	D13/139.4 X
D. 299,821	2/1989	Dively .	
D. 301,576	6/1989	Wang .	
D. 303,247	9/1989	Brownlie .....	D13/139.4
D. 368,467	4/1996	Parshad .....	D13/139.8
D. 369,784	5/1996	Pogue et al. .	
D. 380,733	7/1997	Parshad .....	D13/139.6
4,154,499	5/1979	Weber .	

4,470,656	9/1984	Moser et al. ....	439/535
4,505,403	3/1985	Bowden, Jr. et al. ....	220/242
4,627,684	12/1986	D'Amato .....	439/892
4,838,814	6/1989	Takai et al. .	
5,122,069	6/1992	Bownlie et al. ....	174/53 X
5,796,037	8/1998	Young et al. ....	174/50

*Primary Examiner*—Susan J. Lucas  
*Assistant Examiner*—Jenifer Rivard  
*Attorney, Agent, or Firm*—Foley & Lardner

[57] **CLAIM**

The ornamental design for a power strip housing, as shown and described.

**DESCRIPTION**

FIG. 1 is a perspective view of a power strip housing in accordance with our new design; FIG. 2 is a top plan view thereof; FIG. 3 is a bottom view thereof; FIG. 4 is a right side elevational view thereof, the left side elevational view being a mirror image of the right view shown; FIG. 5 is a front elevational view thereof; and, FIG. 6 is a rear elevational view thereof. The broken lines showing further details of the power strip housing are for illustrative purposes only and form no part of the claimed design.

**1 Claim, 4 Drawing Sheets**

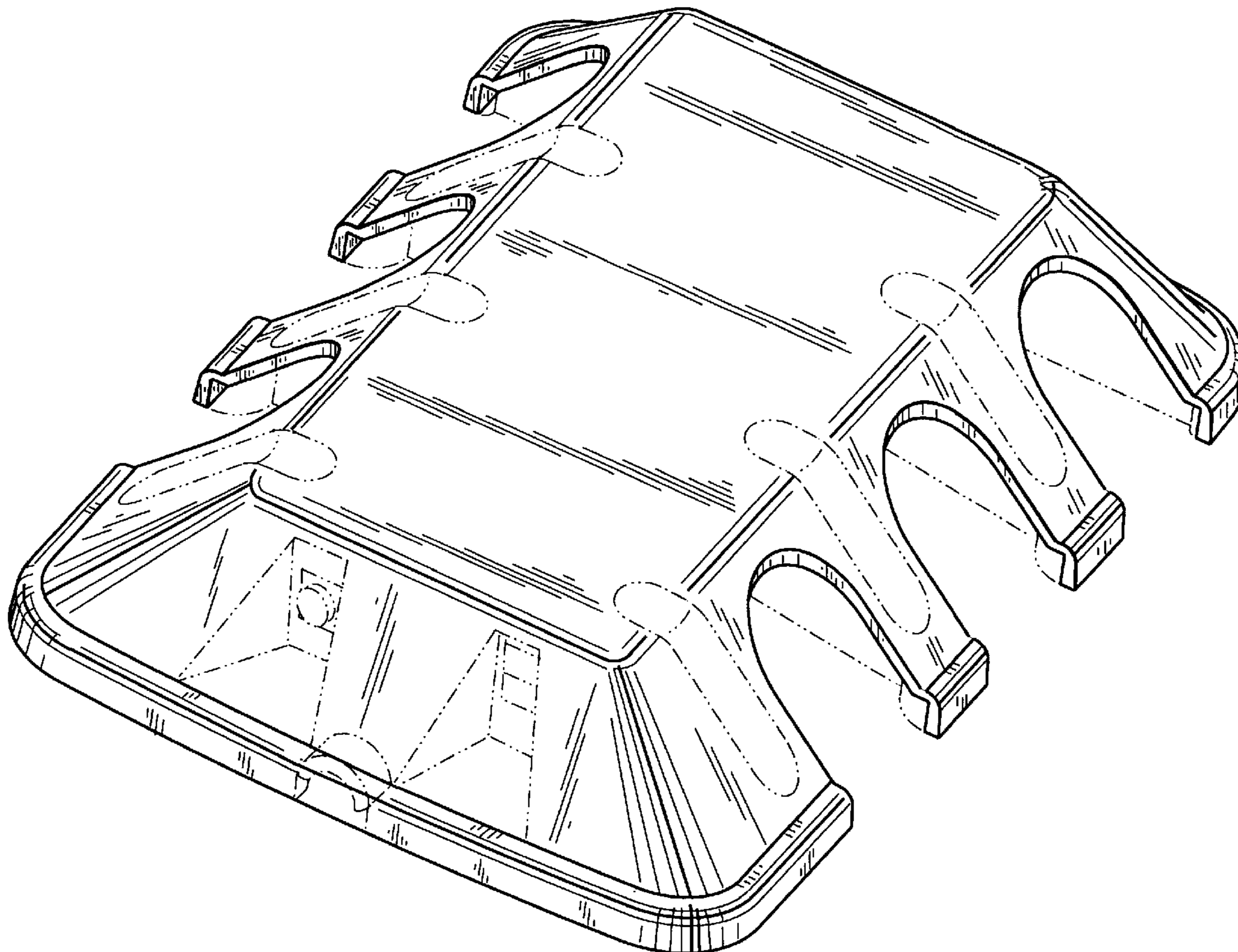


FIG. 1

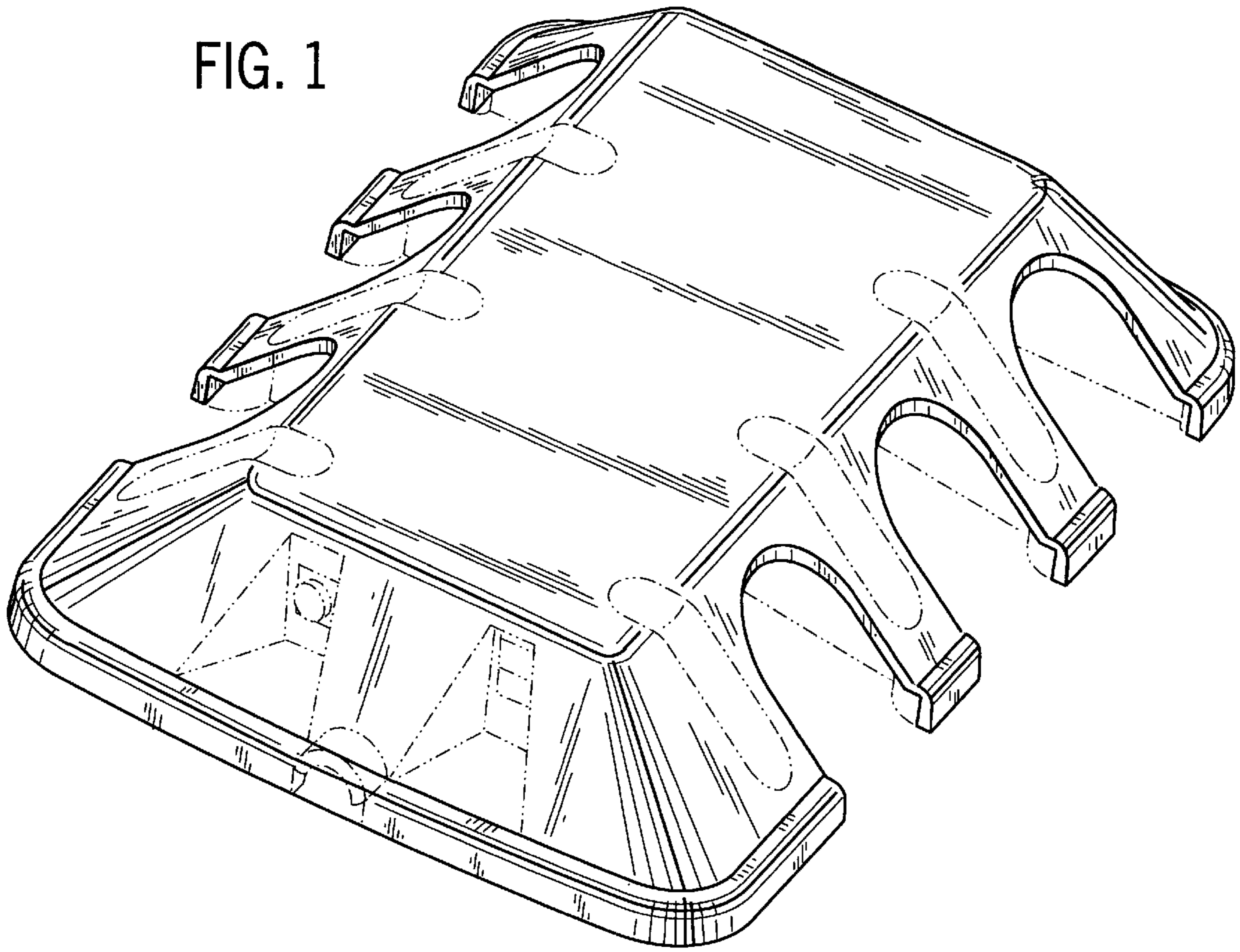
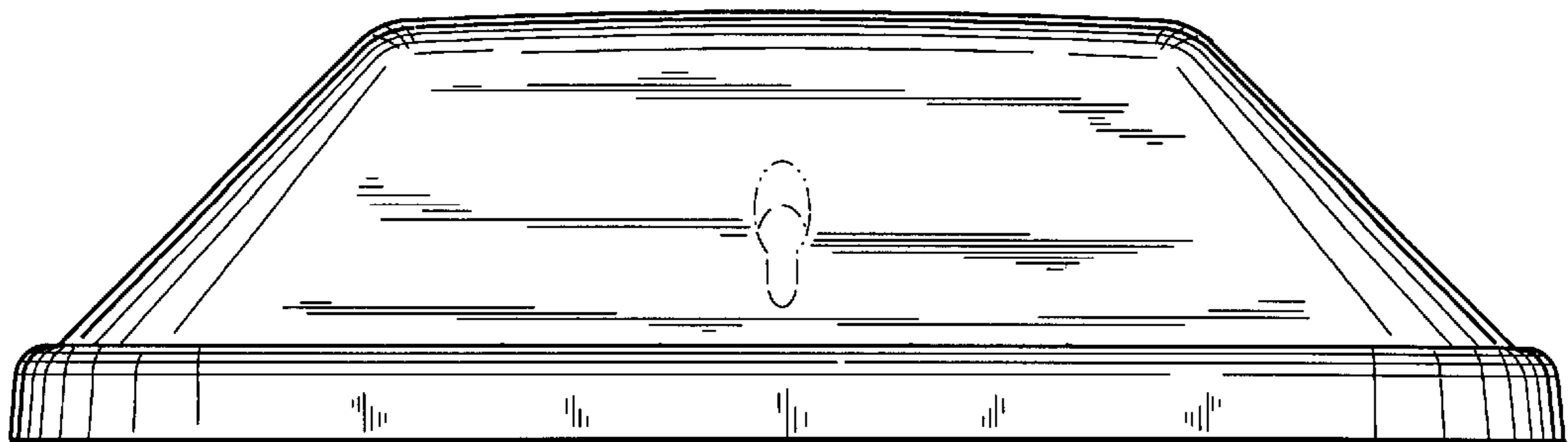


FIG. 6



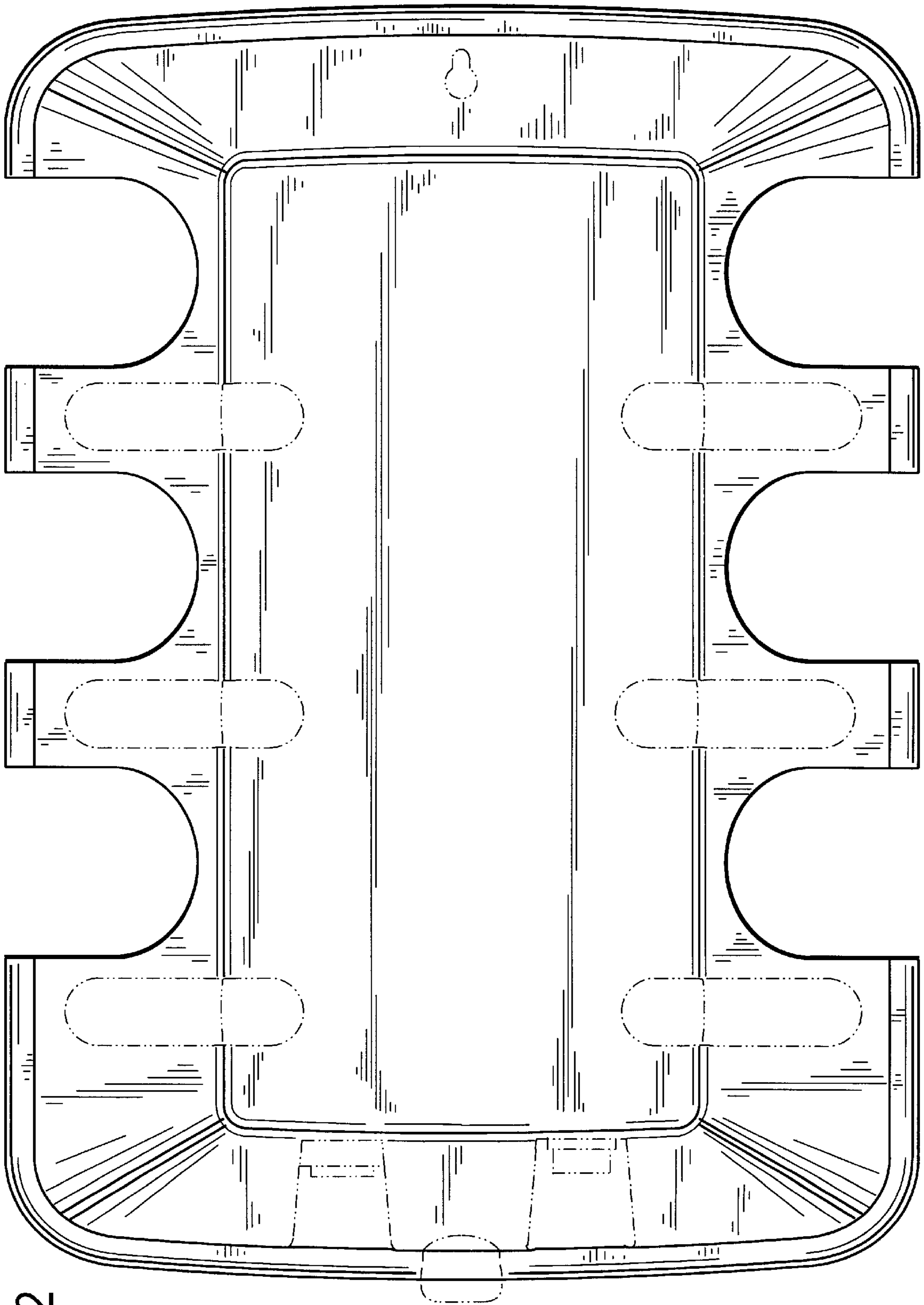


FIG. 2

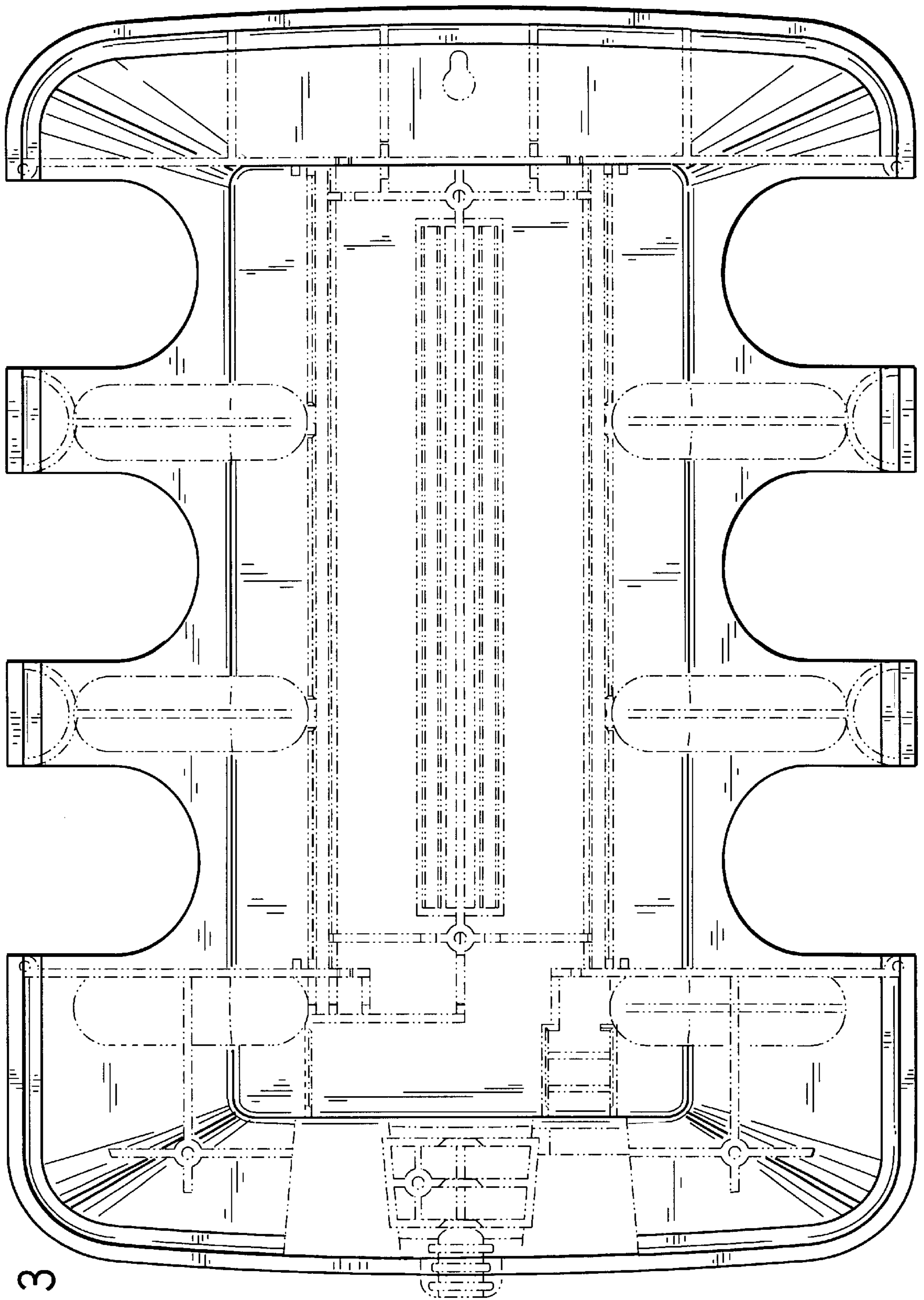


FIG. 3

