



US00D405759S

United States Patent [19]

Carmo et al.

[11] **Patent Number: Des. 405,759**

[45] **Date of Patent: **Feb. 16, 1999**

[54] **THREE CONDUCTOR ELECTRICAL CONNECTOR HAVING A LOCKING MECHANISM**

D. 357,459	4/1995	Warden	D13/142
D. 375,081	10/1996	Sandor et al.	D13/143
5,567,175	10/1996	Warden et al.	439/490
5,676,568	10/1997	Weber	439/694

[75] Inventors: **Robert A. Carmo**, Placentia; **Nicholas F. Spinello**, Irvine, both of Calif.

Primary Examiner—Susan J. Lucas
Assistant Examiner—Jennifer Rivard
Attorney, Agent, or Firm—Paul J. Sutton

[73] Assignee: **Pacific Electriccord Company**, Gardena, Calif.

[**] Term: **14 Years**

[57] **CLAIM**

[21] Appl. No.: **76,002**

The ornamental design for a three conductor electrical connector having a locking mechanism, as shown and described.

[22] Filed: **Aug. 28, 1997**

DESCRIPTION

[51] **LOC (6) Cl.** **13-03**

[52] **U.S. Cl.** **D13/139.1**

[58] **Field of Search** 439/164, 140, 439/141, 152, 160, 484, 692-696, 697, 483, 606, 106, 682, 685; D13/138.1, 138.2, 139.1; 337/197, 198

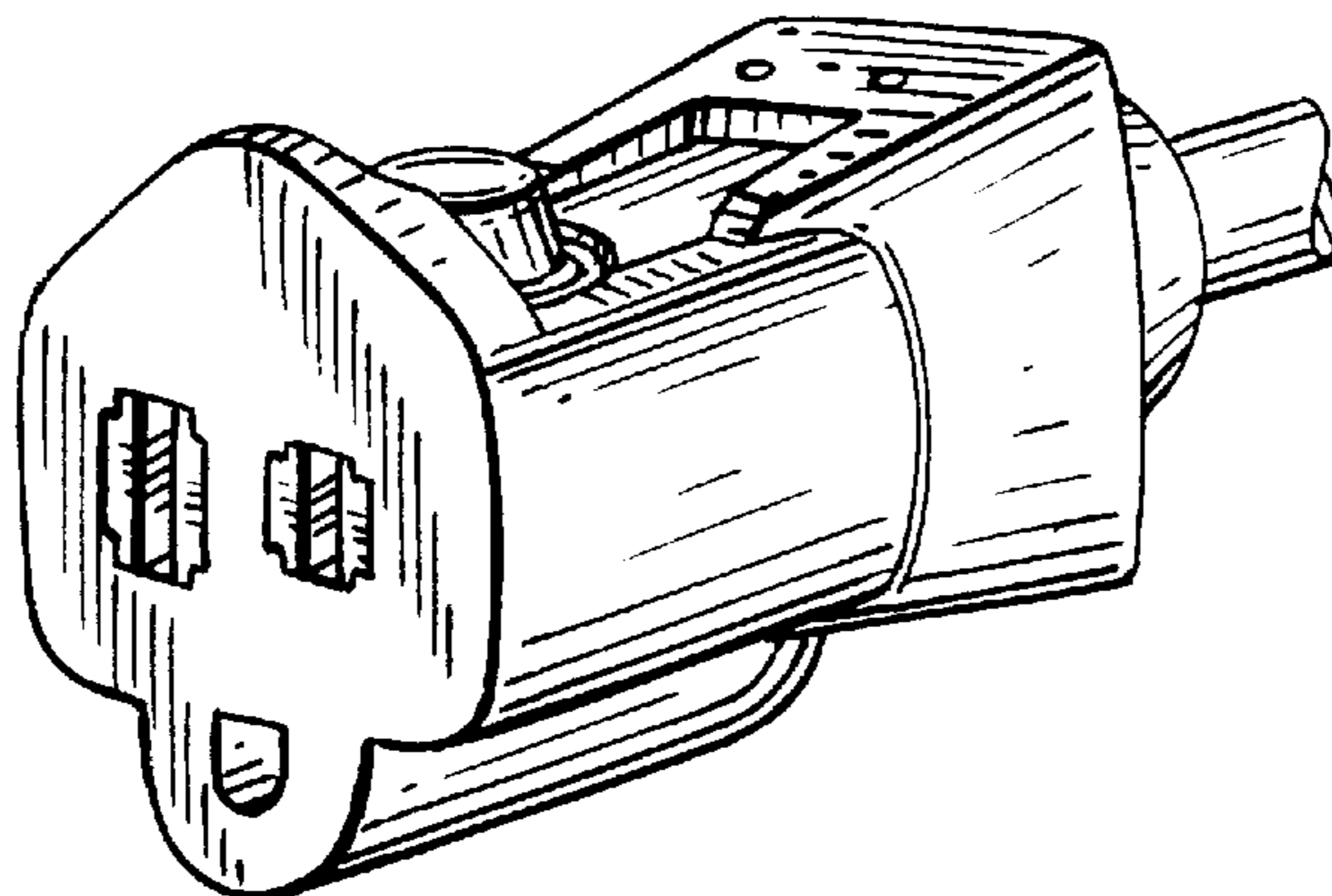
FIG. 1 is a top right perspective view of a three conductor electrical connector having a locking mechanism showing our new design;
FIG. 2 is a top plan view thereof;
FIG. 3 is a front elevational view thereof;
FIG. 4 is a left side elevational view thereof, the opposite side elevational view being a mirror image thereof;
FIG. 5 is a rear elevational view thereof; and
FIG. 6 is a bottom plan view thereof.

[56] **References Cited**

U.S. PATENT DOCUMENTS

D. 266,559 10/1982 Gibbs D13/138.1

1 Claim, 2 Drawing Sheets



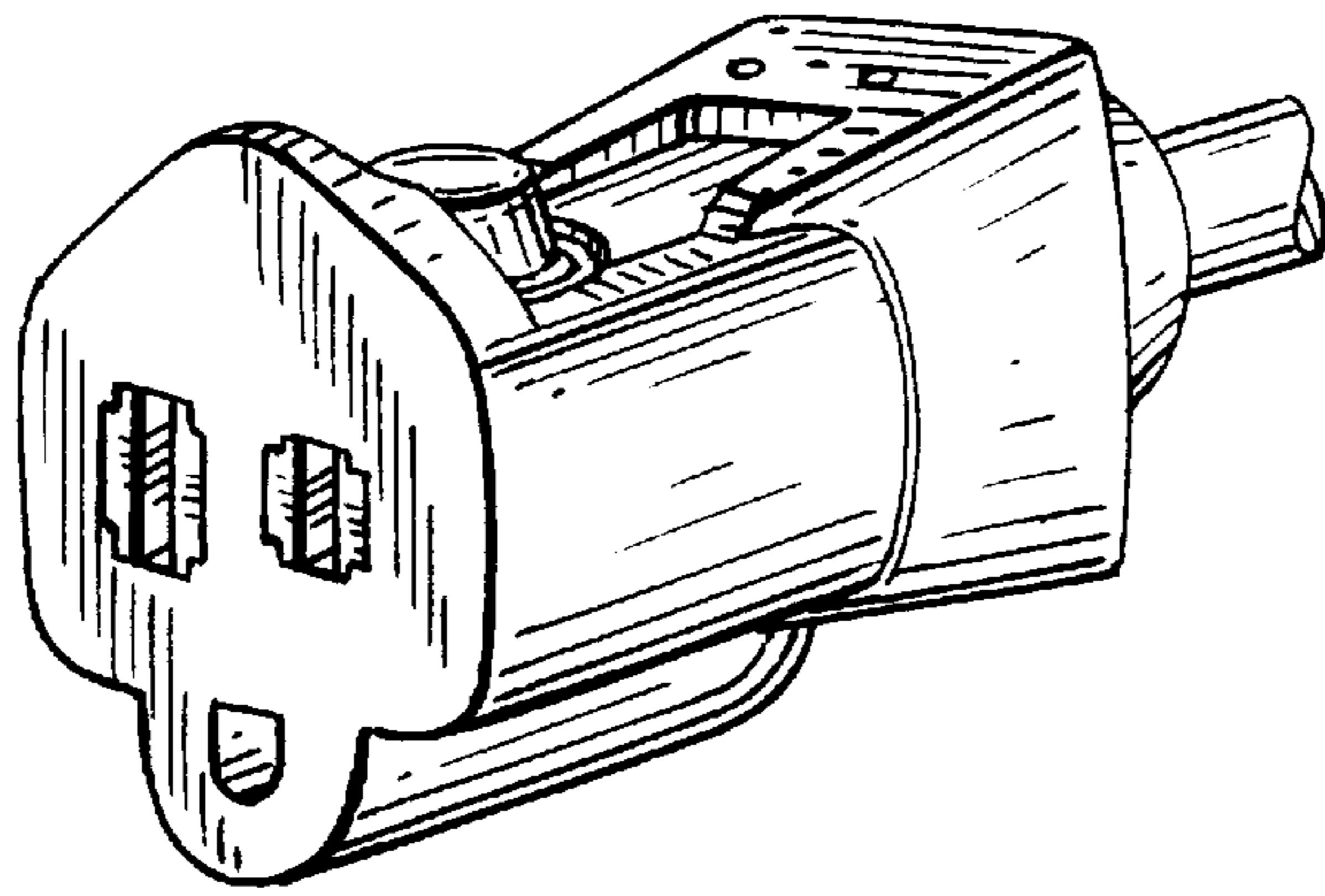


FIG. 1

FIG. 2

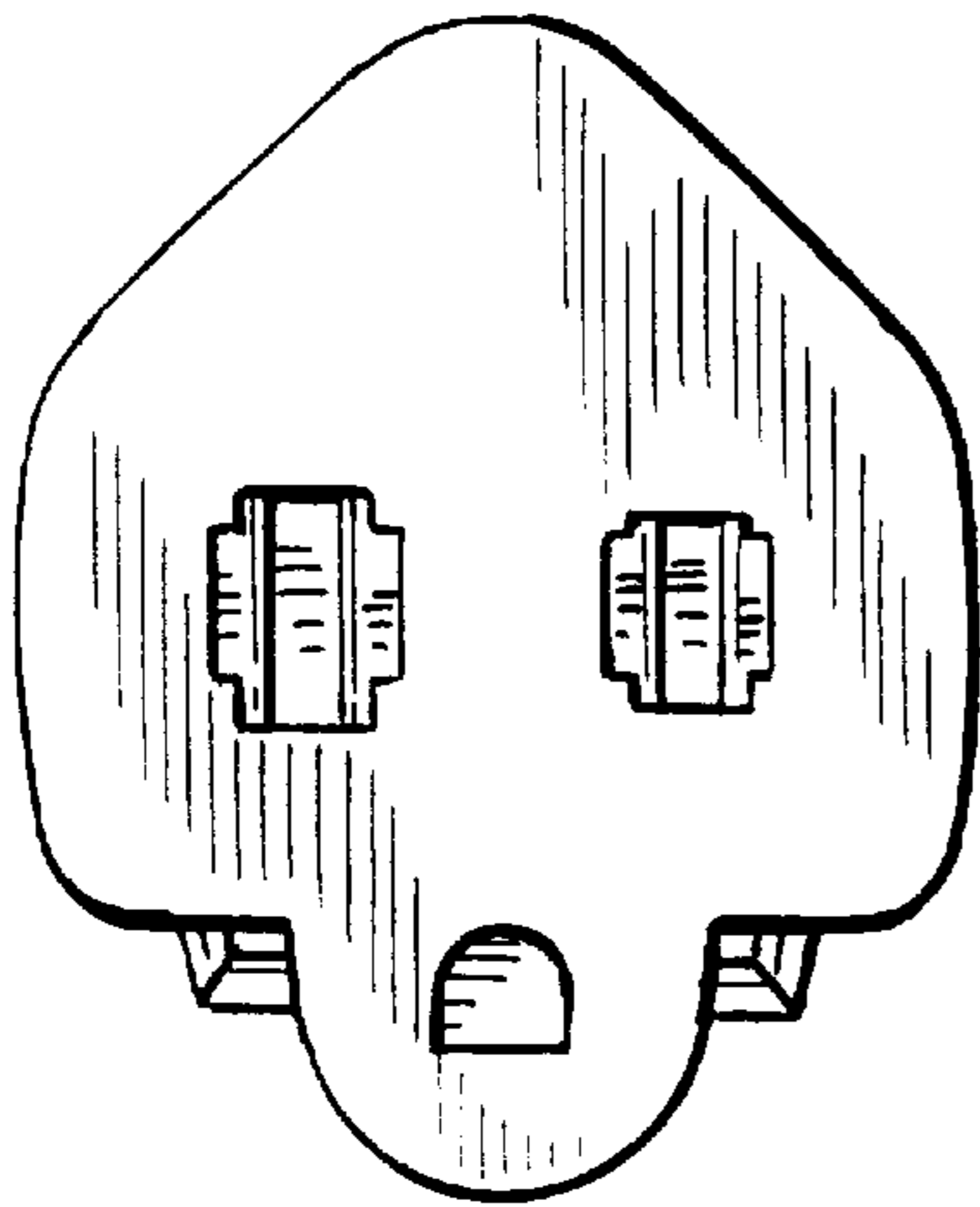
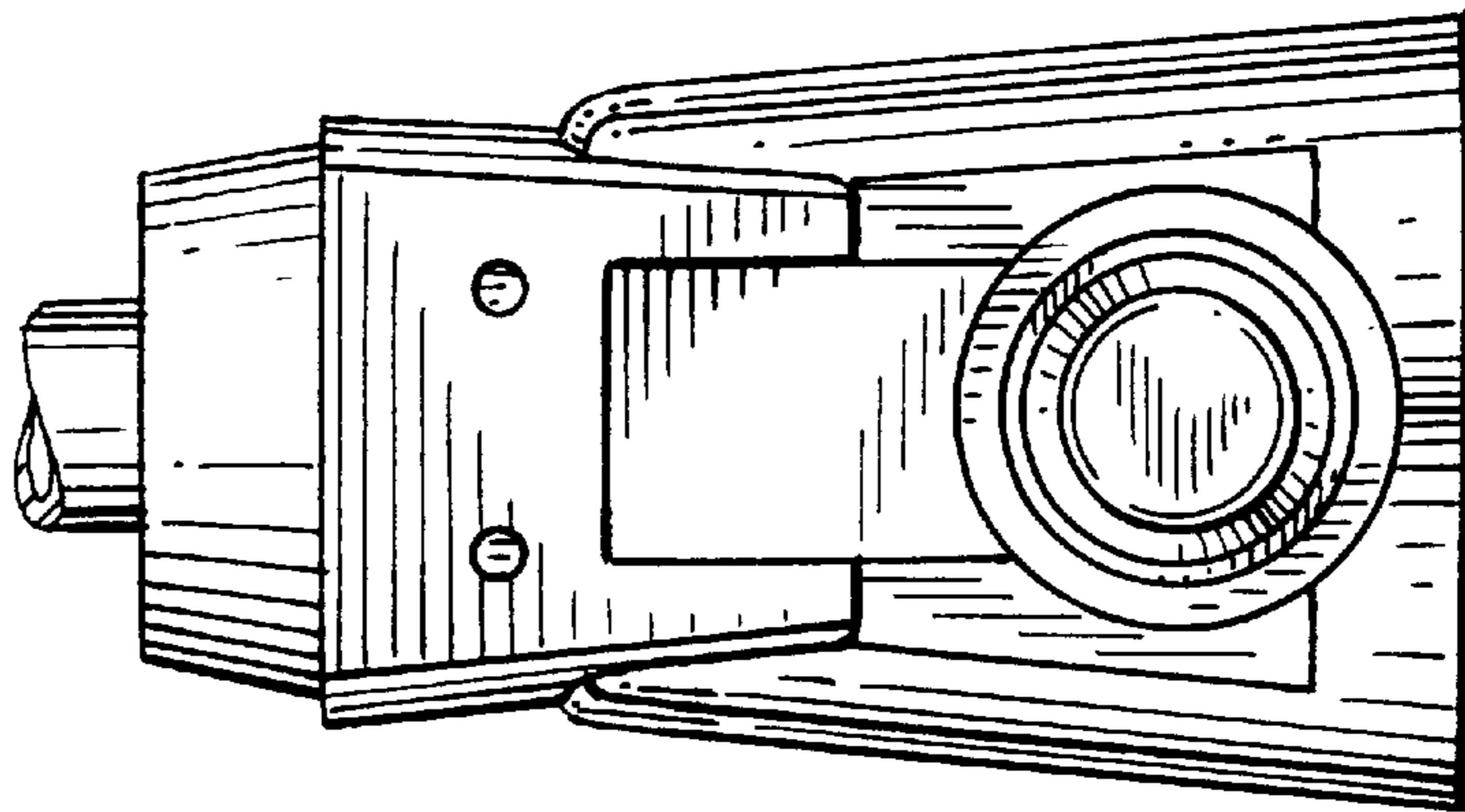


FIG. 3

FIG. 4

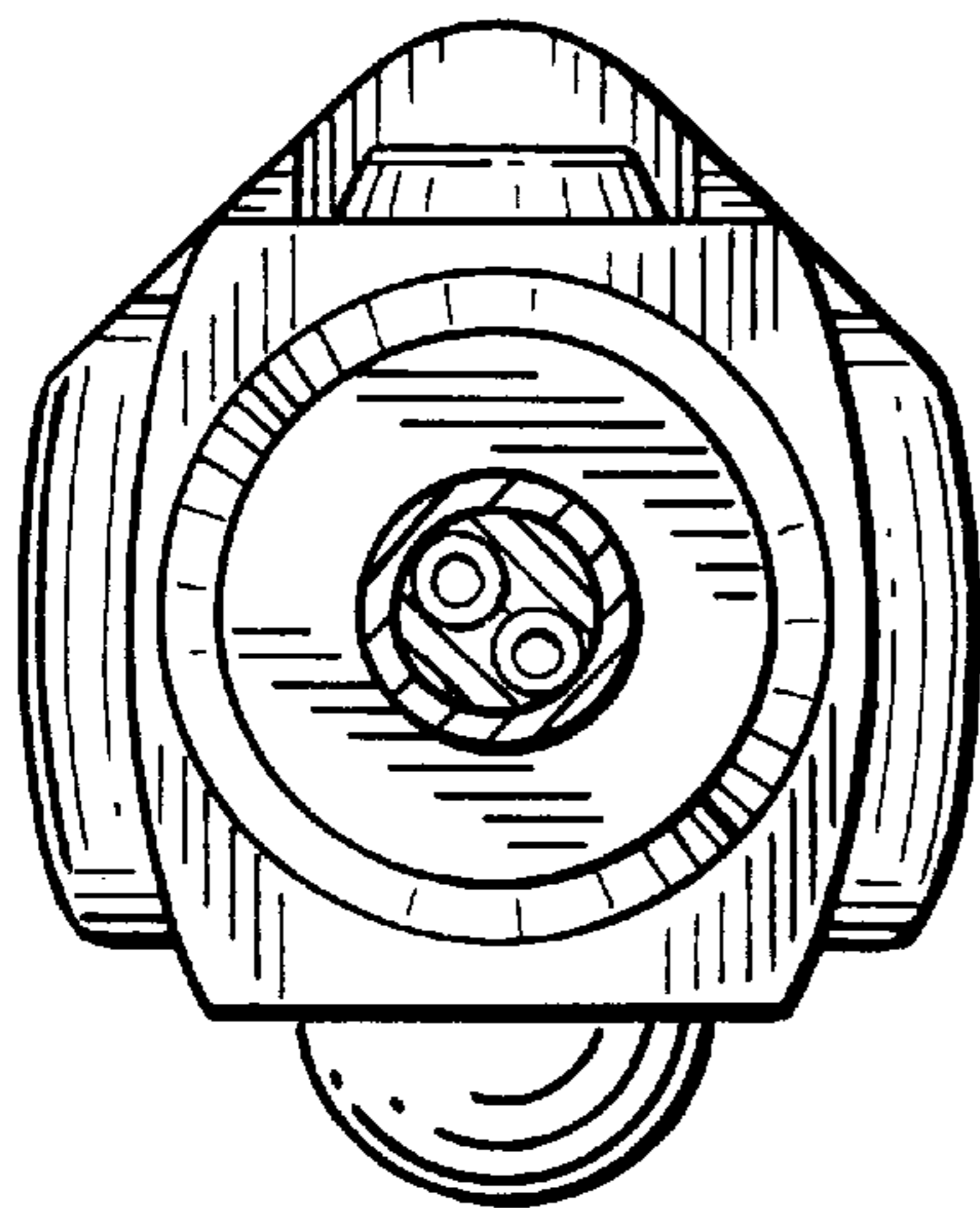
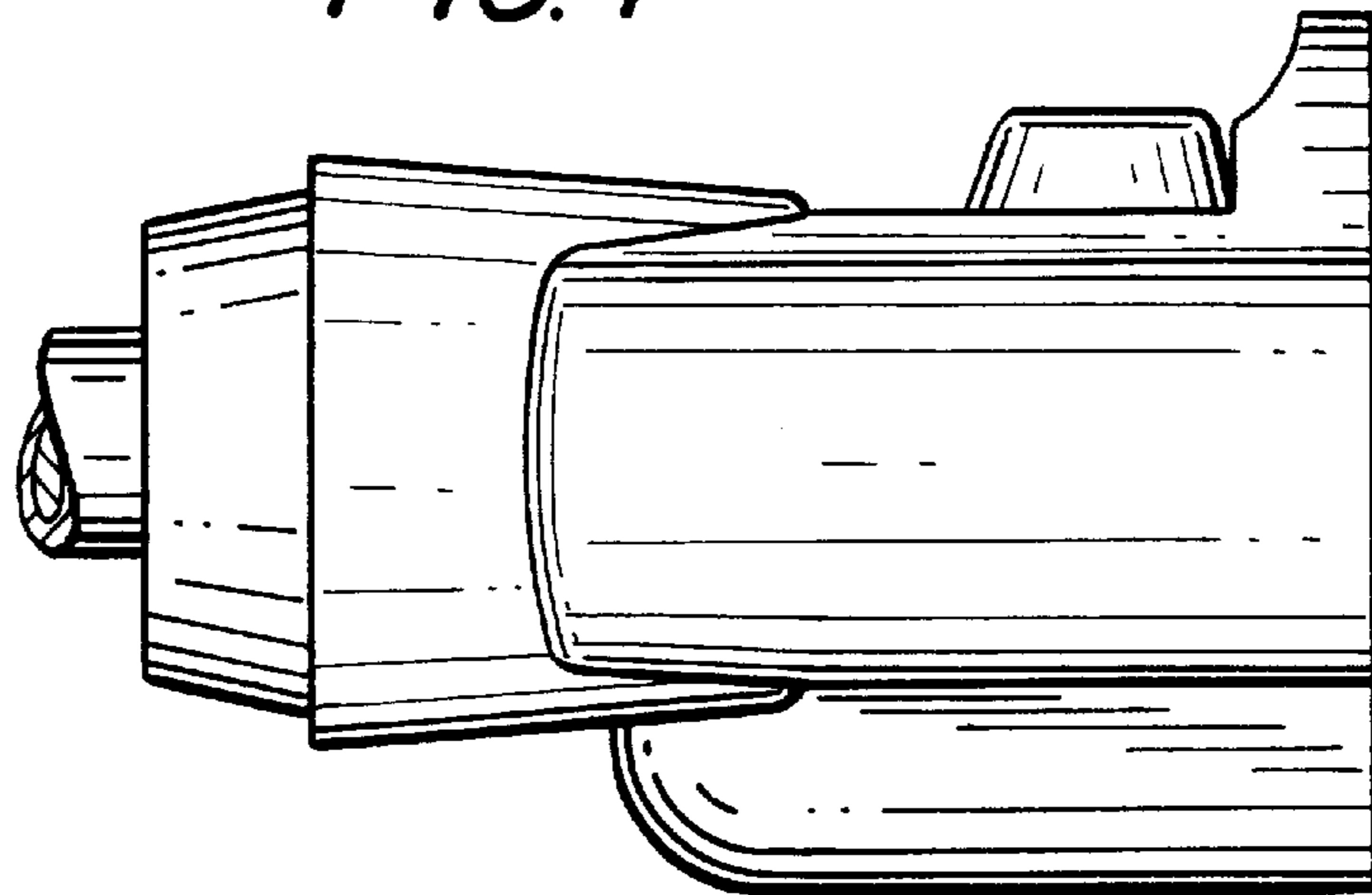


FIG. 5

FIG. 6

