



US00D405758S

# United States Patent [19] Martensson

[11] **Patent Number: Des. 405,758**

[45] **Date of Patent: \*\*Feb. 16, 1999**

[54] **ADAPTOR PLUG**

D. 365,083 12/1995 Hedrick ..... D13/138  
D. 375,292 11/1996 D'Amato ..... D13/137.1

[75] Inventor: **Nils Martensson**, Chobham, United Kingdom

*Primary Examiner*—Susan J. Lucas  
*Assistant Examiner*—Jennifer Rivard  
*Attorney, Agent, or Firm*—Herbert Dubno

[73] Assignee: **IPR Industries Limited**, Farnborough, United Kingdom

[\*\*] Term: **14 Years**

[57] **CLAIM**

[21] Appl. No.: **84,748**

The ornamental design for an adaptor plug, as shown and described.

[22] Filed: **Mar. 10, 1998**

**DESCRIPTION**

[30] **Foreign Application Priority Data**

Sep. 11, 1997 [GB] United Kingdom ..... 2069029

FIG. 1 is a front elevation view of the adaptor plug shown in an open position;

[51] **LOC (6) Cl.** ..... **13-03**

FIG. 2 is a rear elevation view thereof;

[52] **U.S. Cl.** ..... **D13/138.1**

FIG. 3 is a top plan view thereof;

[58] **Field of Search** ..... D13/138.1, 138.2, D13/137.1, 139.1; 439/140, 141, 152, 160, 484, 692, 694, 135-137, 477, 164, 446.11; 337/198, 197

FIG. 4 is a bottom plan view thereof;

FIG. 5 is a right side elevational view thereof;

FIG. 6 is a left side elevation view thereof;

FIG. 7 is a perspective view in the open position thereof; and,

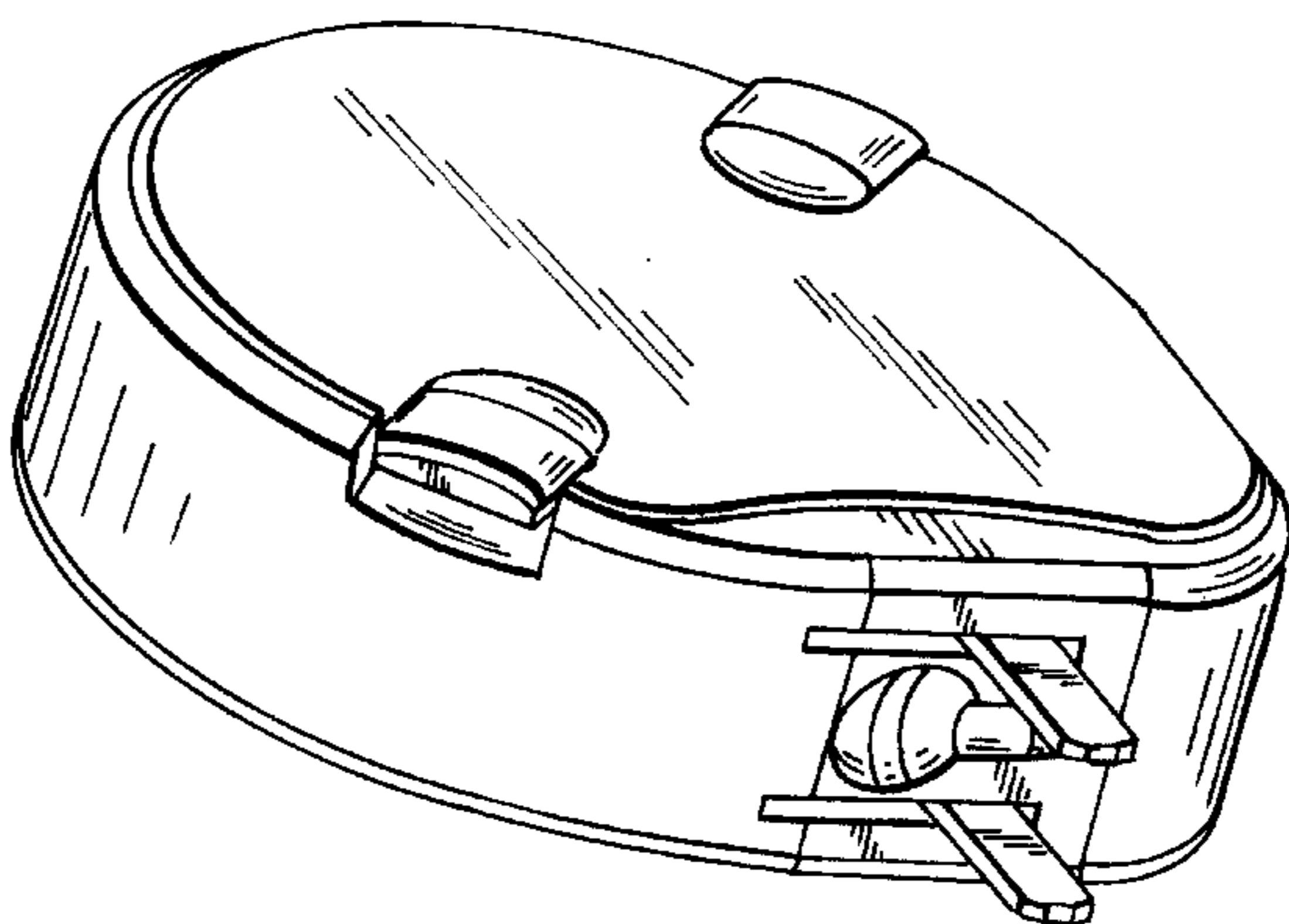
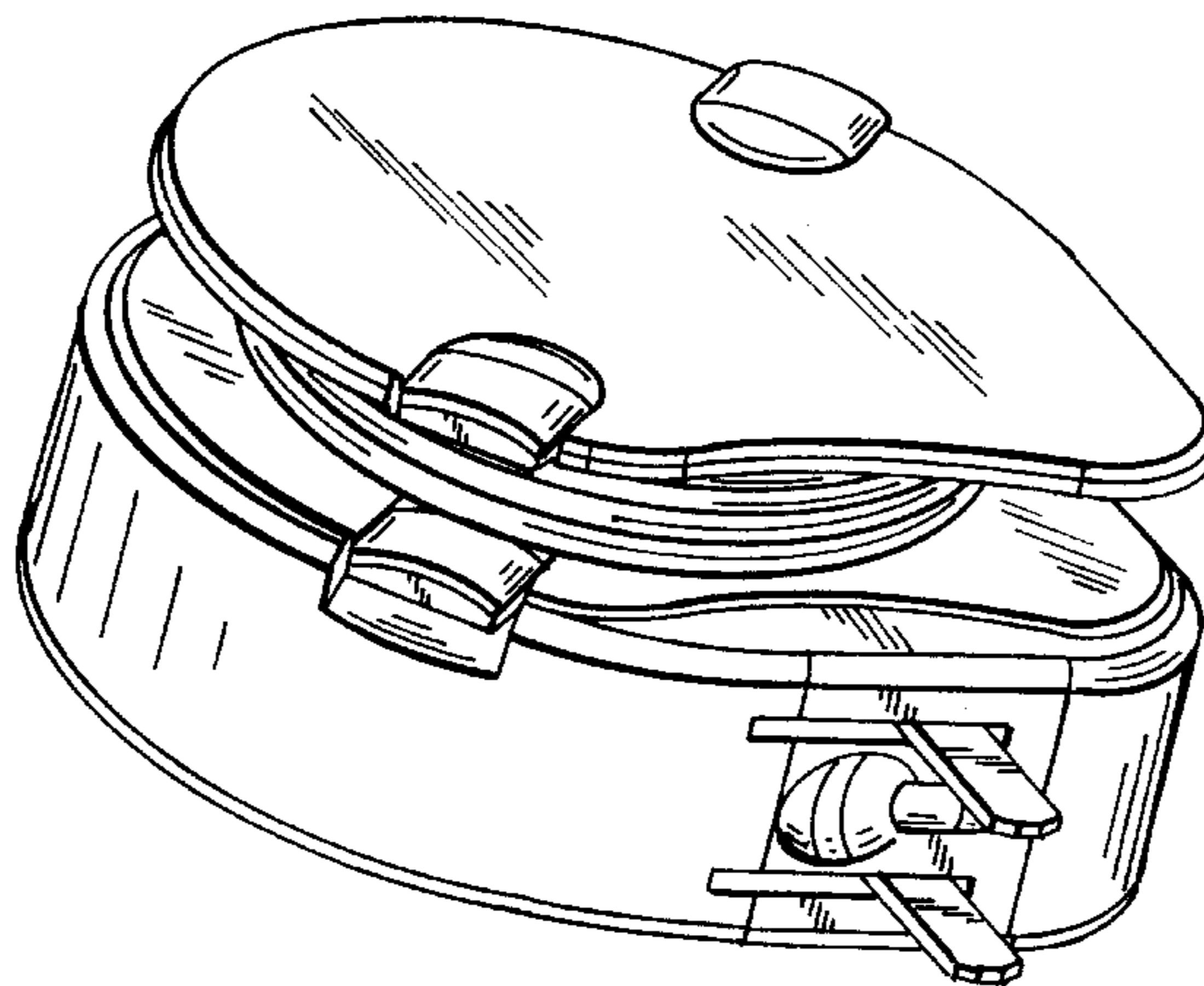
FIG. 8 is a perspective view in the closed position thereto.

[56] **References Cited**

**U.S. PATENT DOCUMENTS**

D. 264,582 5/1982 Drew ..... D13/138.2

**1 Claim, 8 Drawing Sheets**



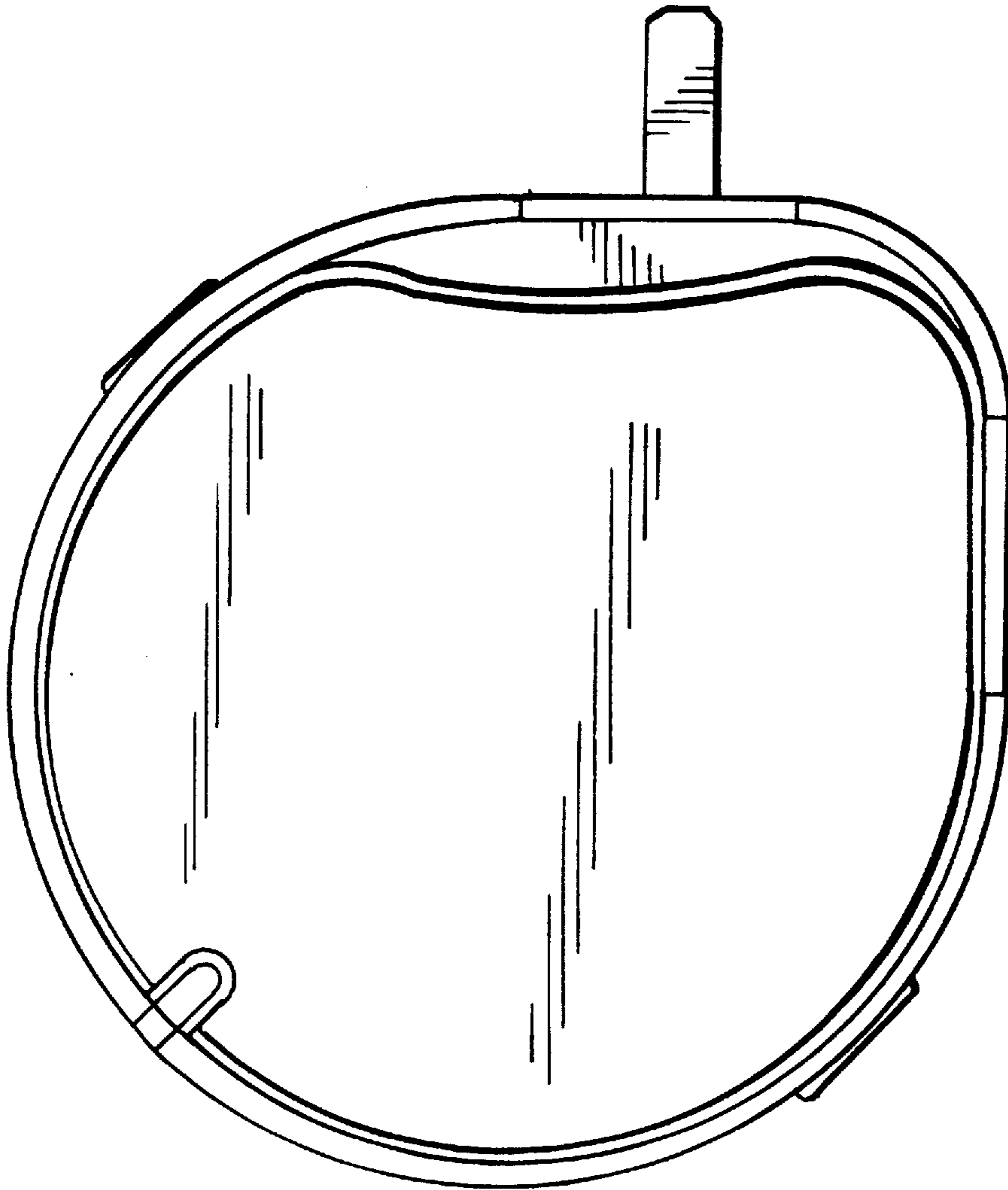


FIG. 1

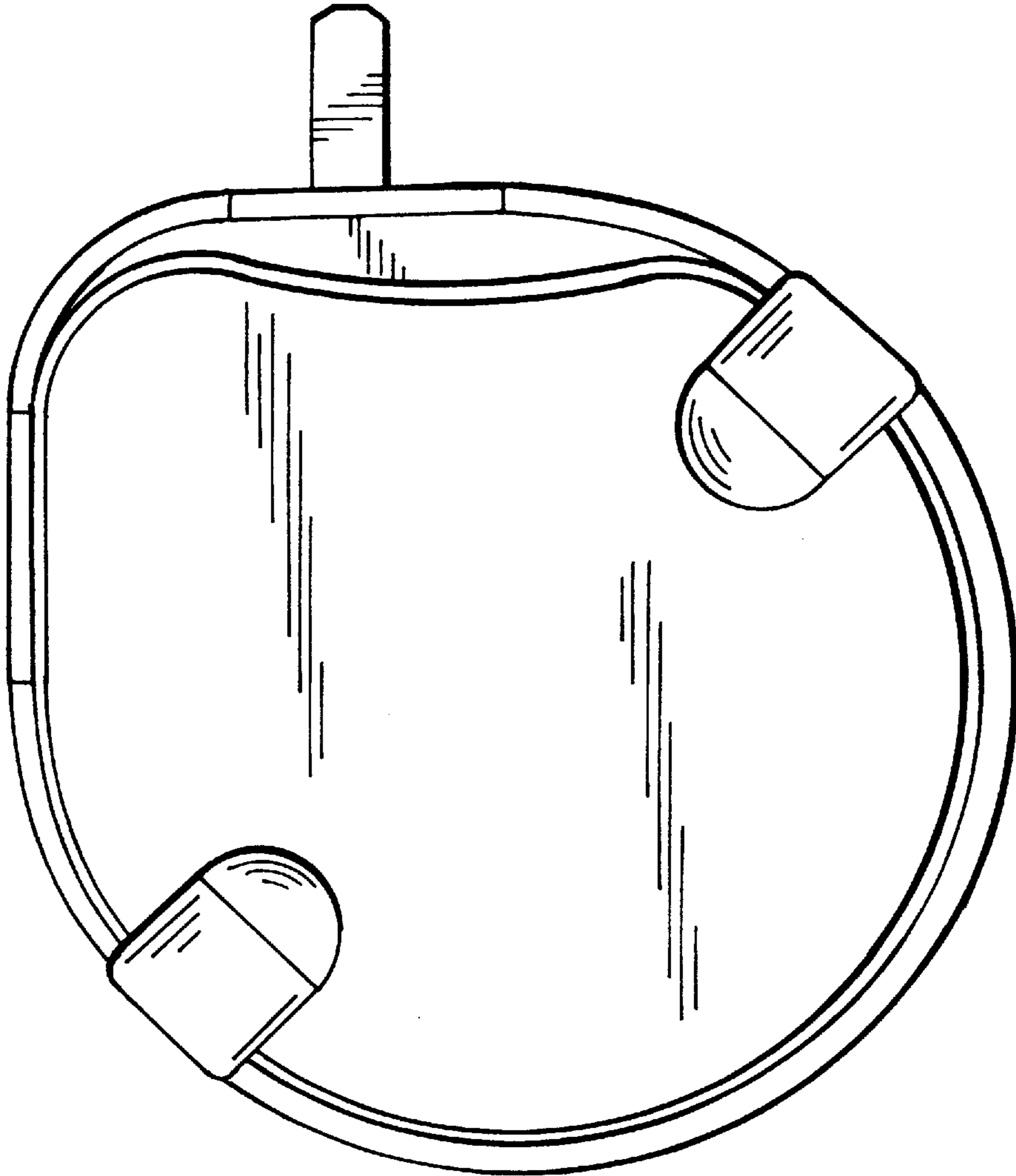


FIG. 2

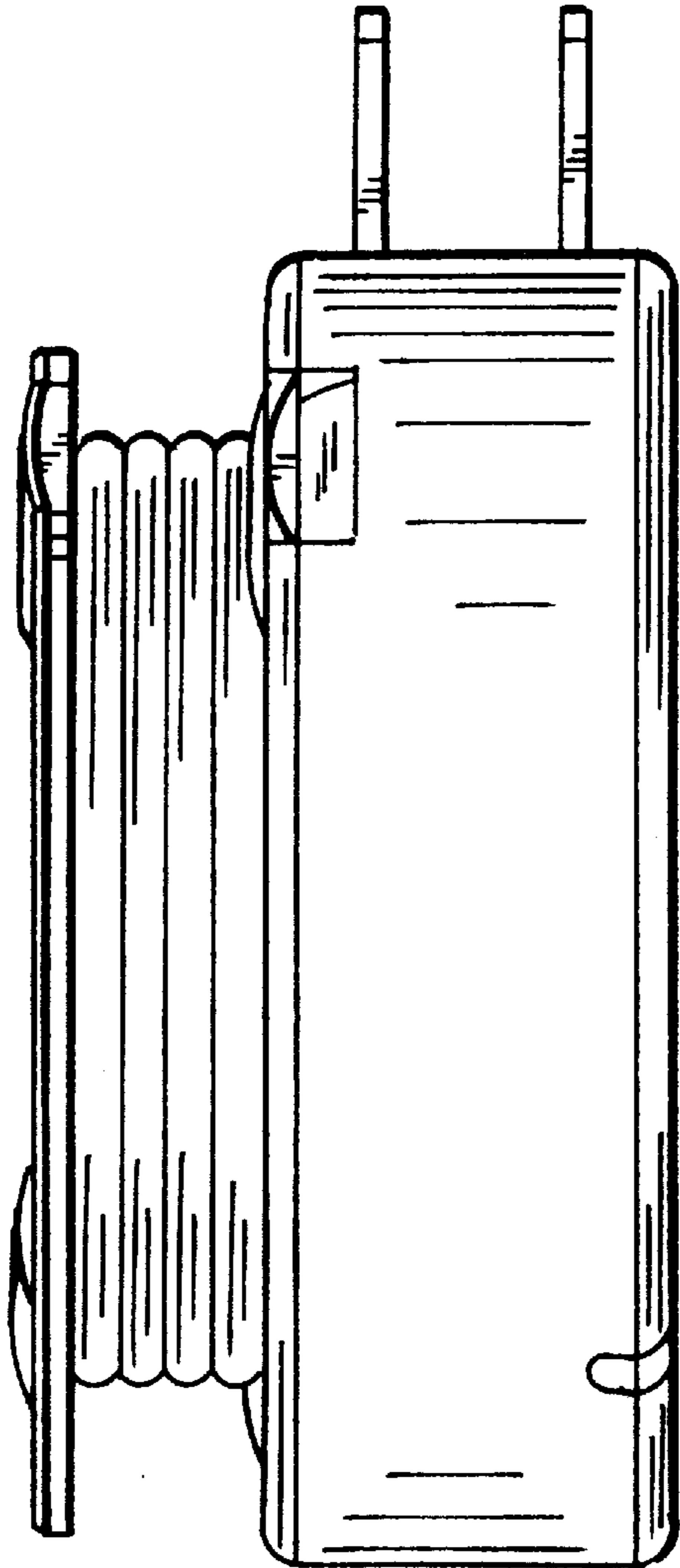


FIG. 3

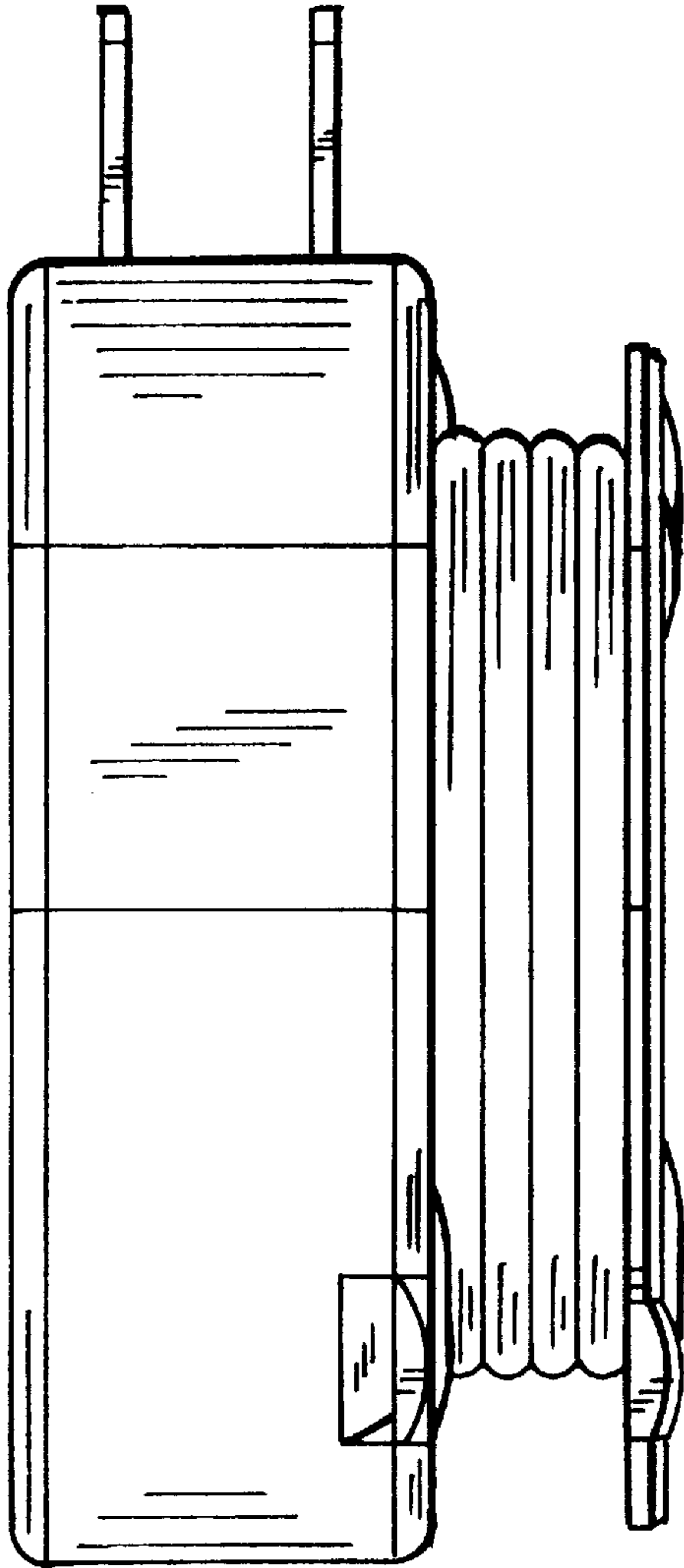


FIG. 4

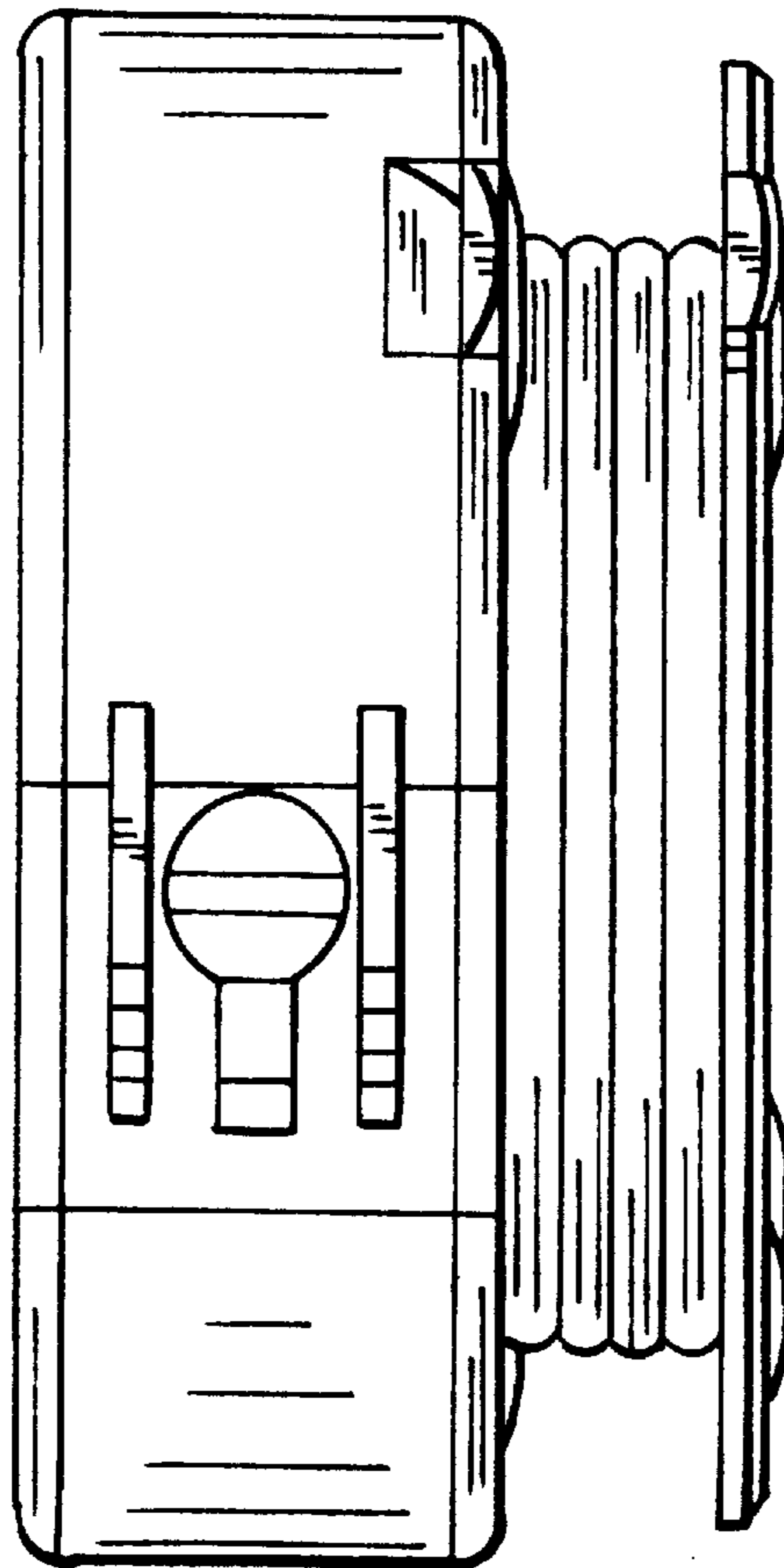


FIG. 5

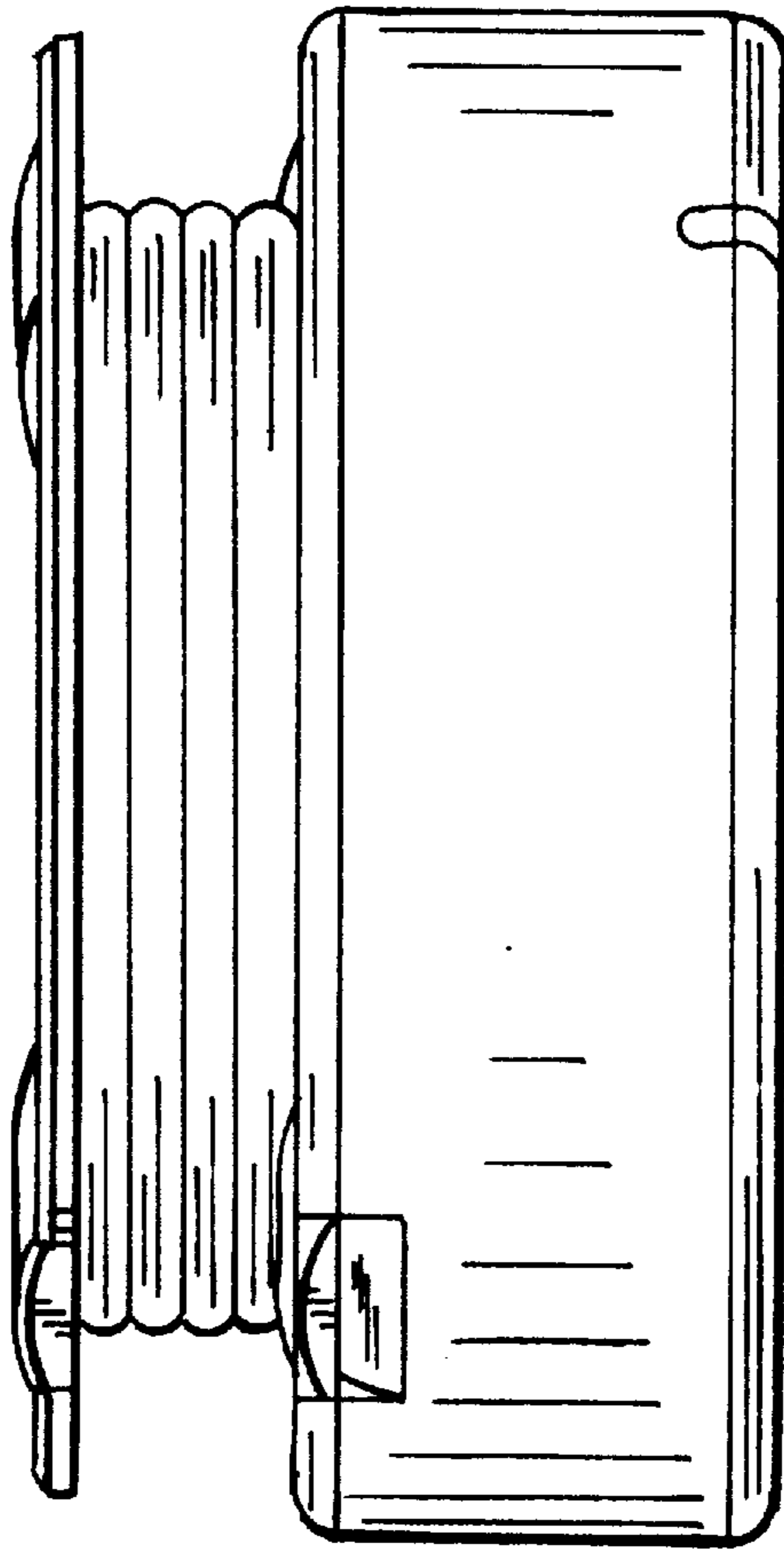


FIG. 6

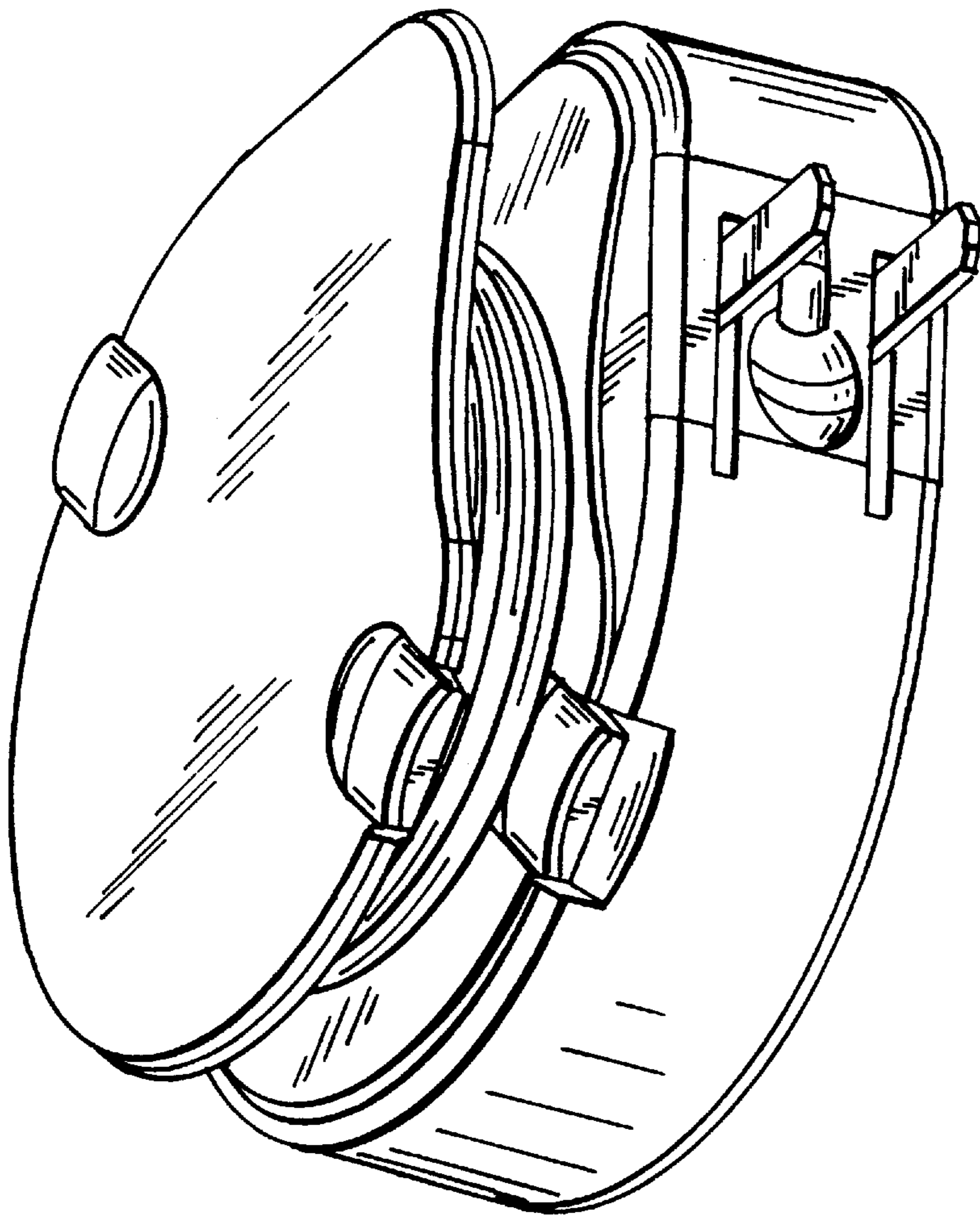


FIG. 7



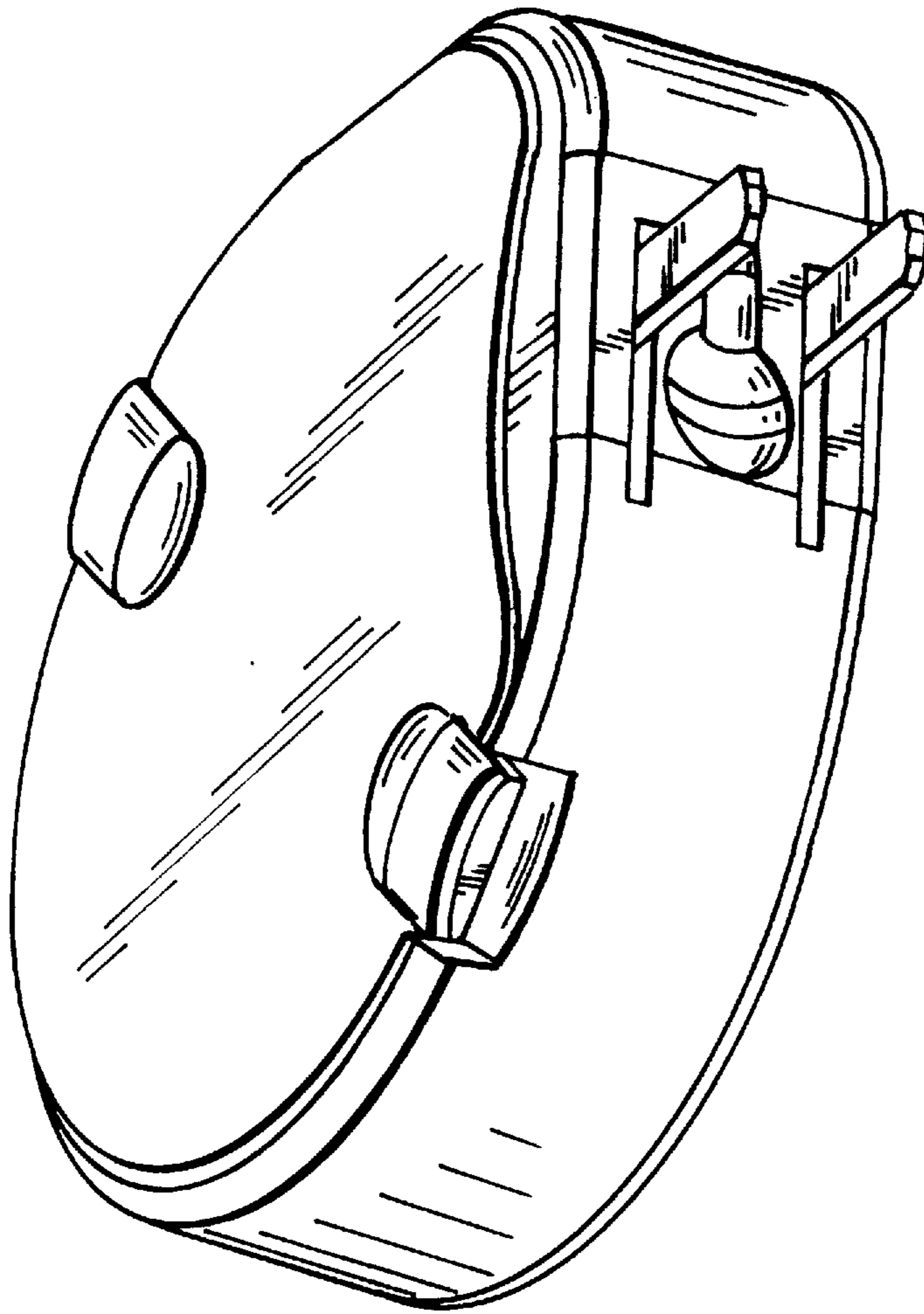


FIG. 8