



US00D405756S

United States Patent [19]

Castelli, Jr.

[11] **Patent Number: Des. 405,756**

[45] **Date of Patent: **Feb. 16, 1999**

[54] **HAND-HELD HOUSING**

[76] Inventor: **Sam Castelli, Jr.**, 96 Arthur Griffiths Drive, Downsview, Ontario, Canada, M3L 2J6

[**] Term: **14 Years**

[21] Appl. No.: **62,351**

[22] Filed: **Nov. 13, 1996**

[51] **LOC (6) Cl.** **13-02**

[52] **U.S. Cl.** **D13/112**

[58] **Field of Search** D13/112; 310/89, 310/42, 43

[56] **References Cited**

U.S. PATENT DOCUMENTS

4,851,724	7/1989	Polk et al.	310/89 X
5,642,008	6/1997	McCracken	310/89 X

Primary Examiner—Joel Sincavage
Attorney, Agent, or Firm—Eugene J. A. Gierczak

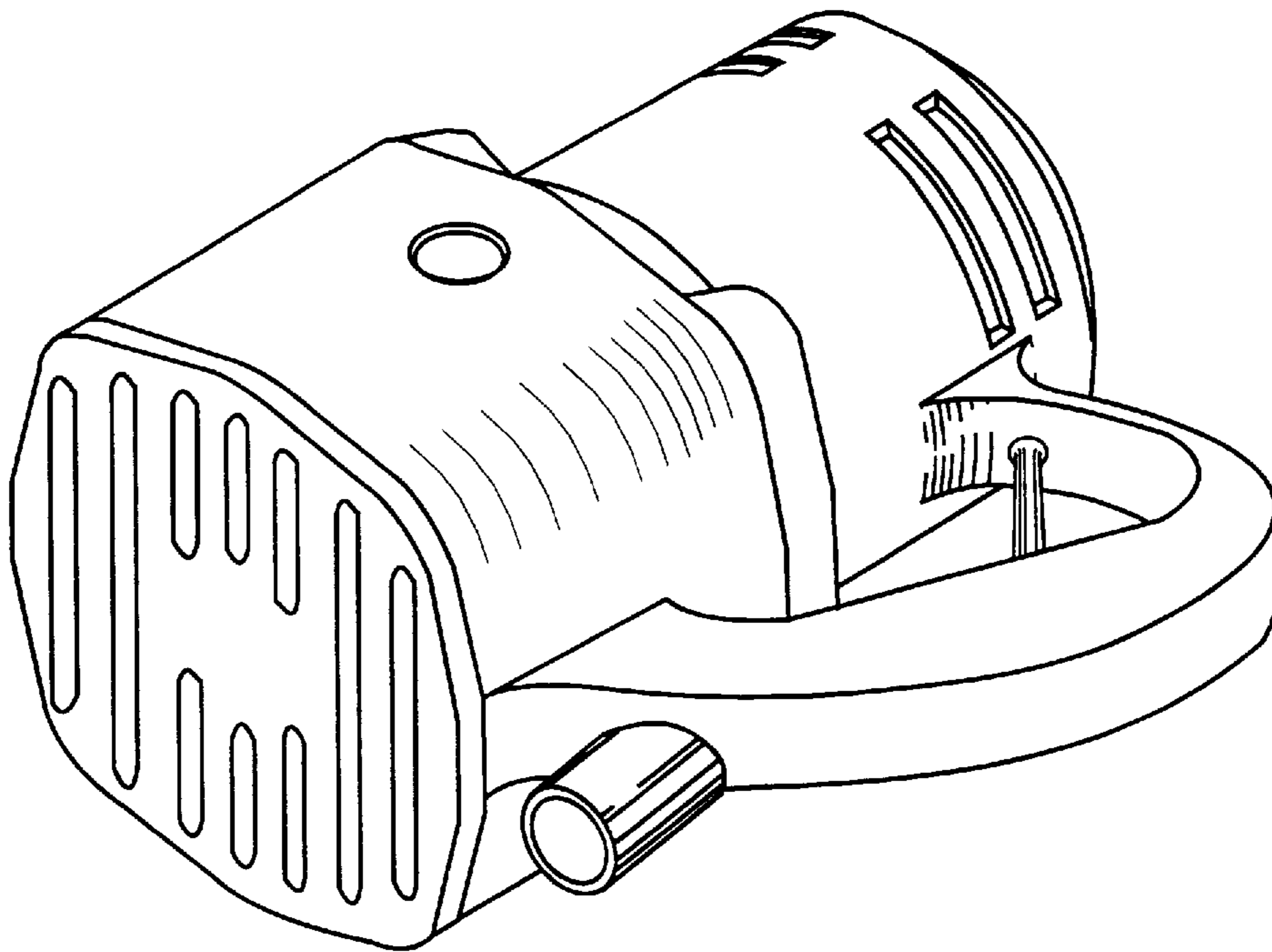
[57] **CLAIM**

The ornamental design for the “hand-held housing”, as shown and described.

DESCRIPTION

FIG. 1 is a perspective view of the hand-held housing; FIG. 2 is a perspective view of said hand-held housing taken from a point away from the handle; FIG. 3 is a top plan view of said hand-held housing; FIG. 4 is a perspective view of said hand-held housing taken from a point adjacent the handle; FIG. 5 is a front elevational view of said hand-held housing; FIG. 6 is a side elevational view of said hand-held housing; FIG. 7 is a back view of said hand-held housing; and, FIG. 8 is a bottom view of said hand-held housing.

1 Claim, 4 Drawing Sheets



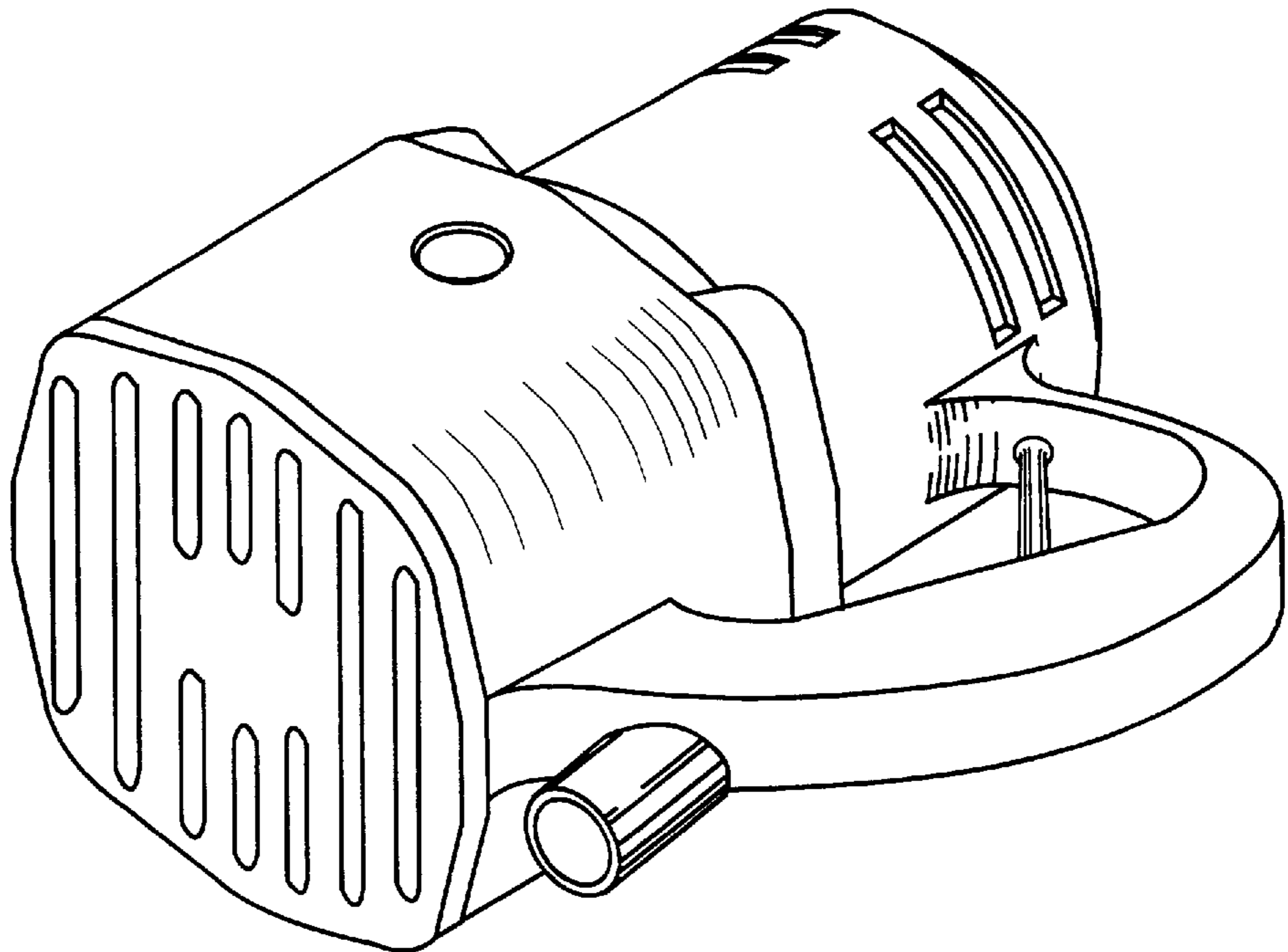


Fig. 1

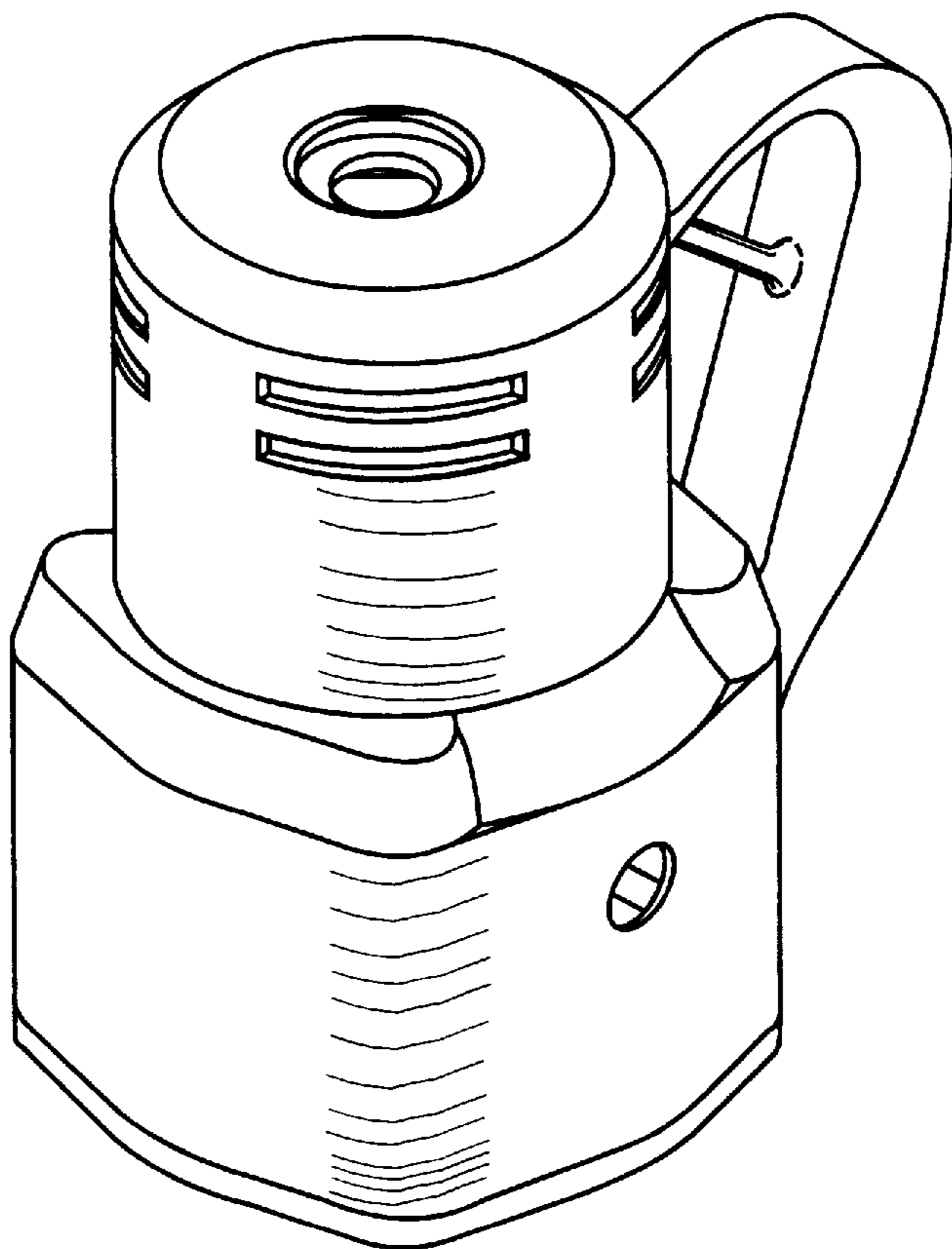


Fig. 2

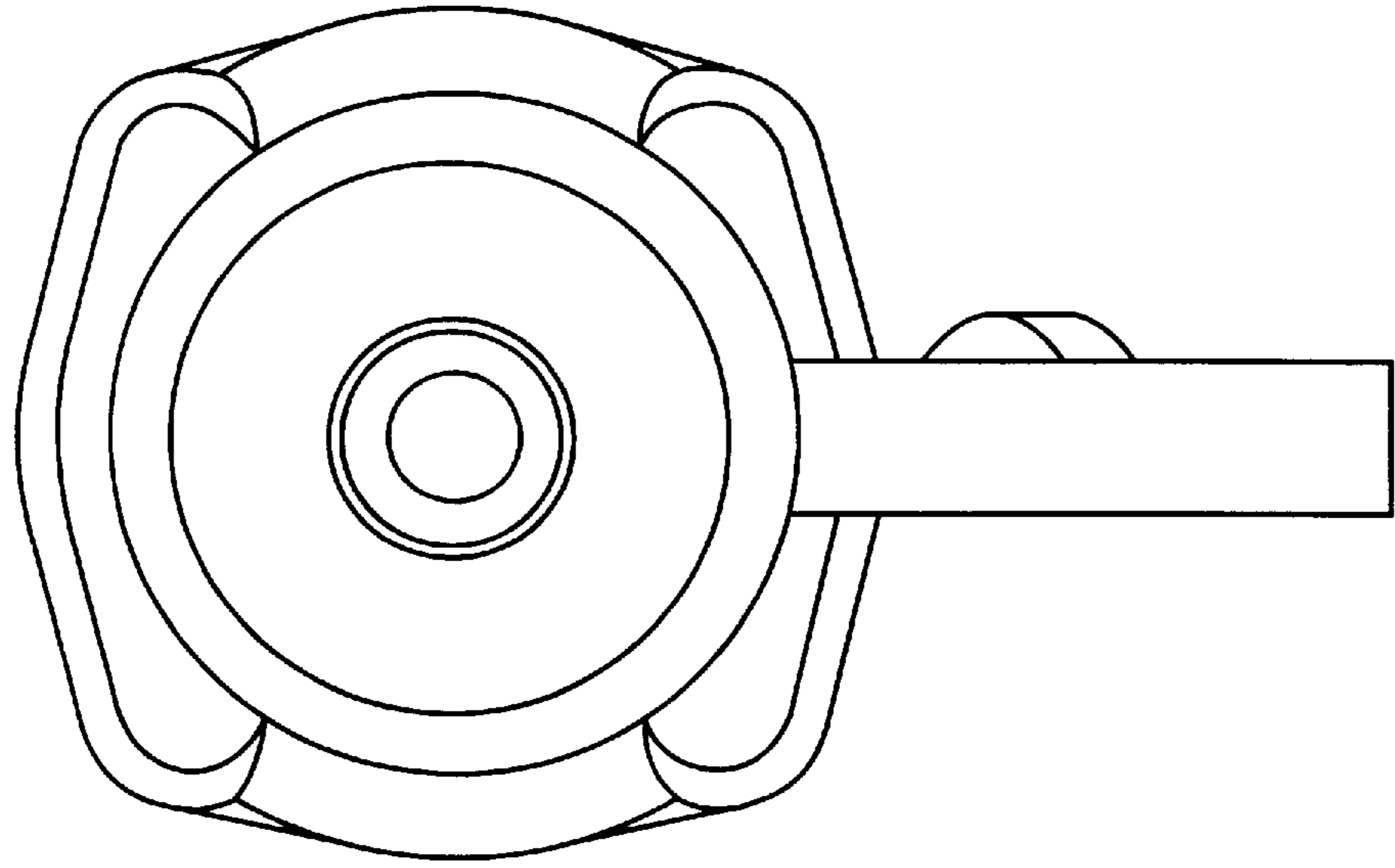


Fig. 3

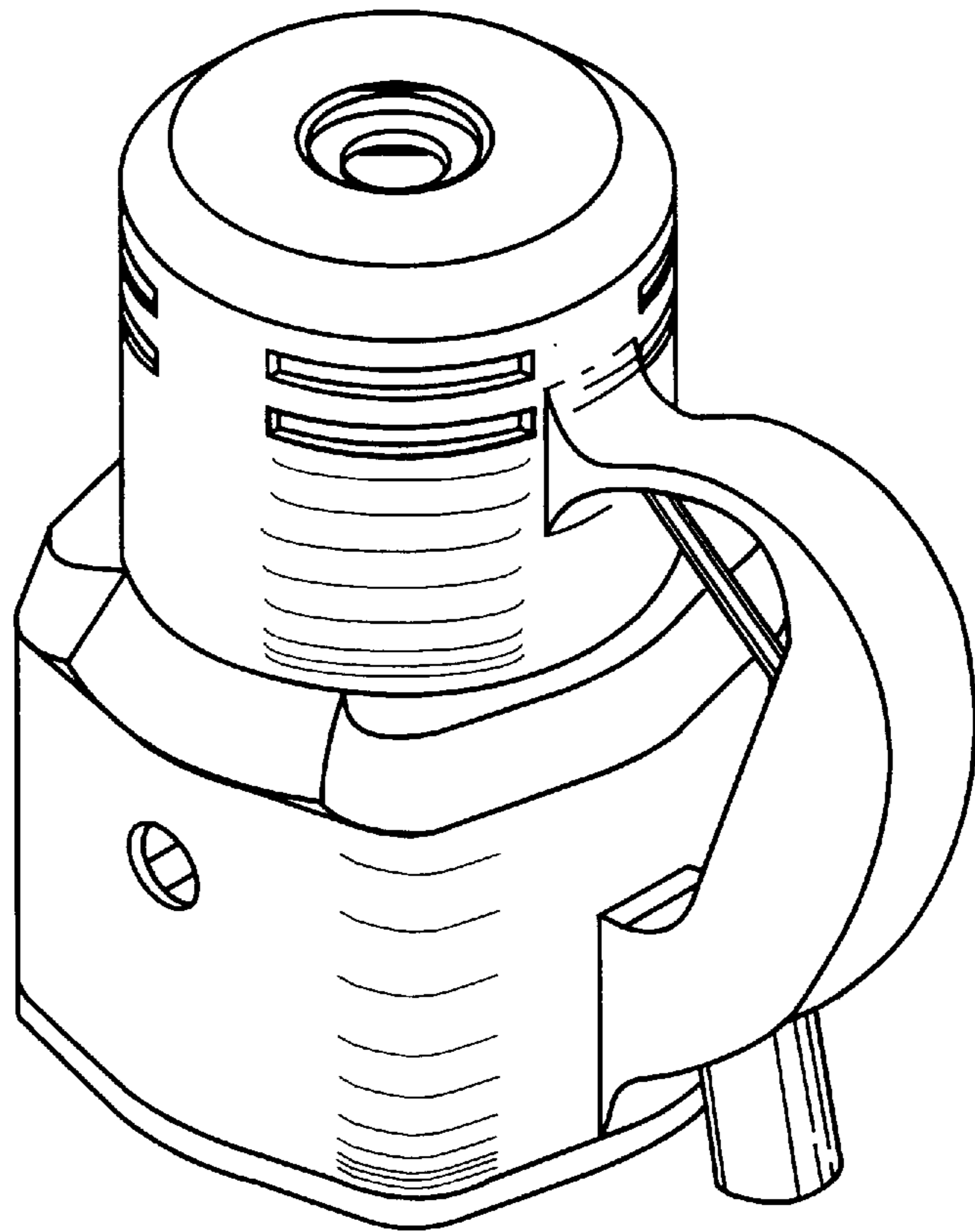


Fig. 4

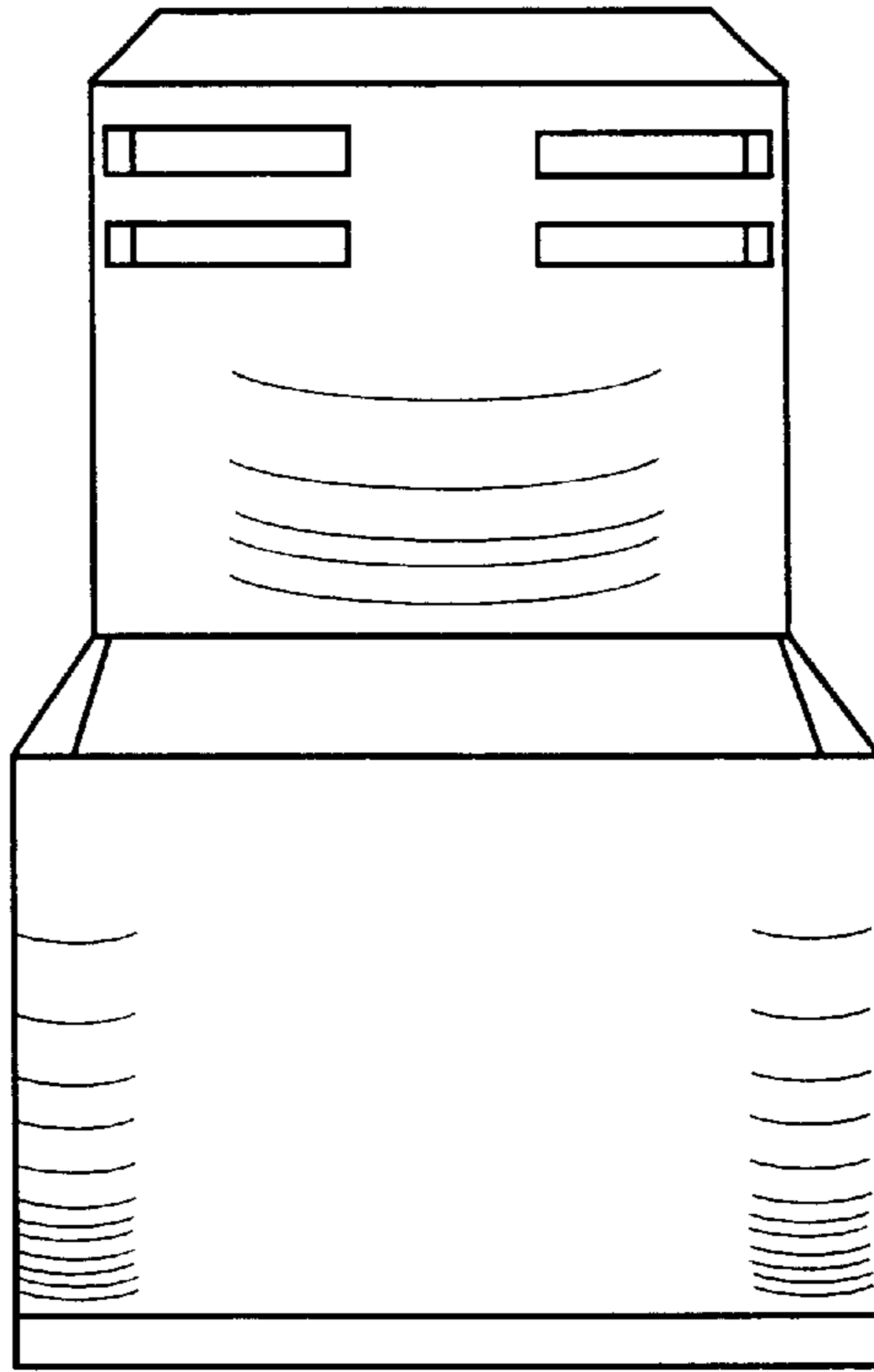


Fig. 5

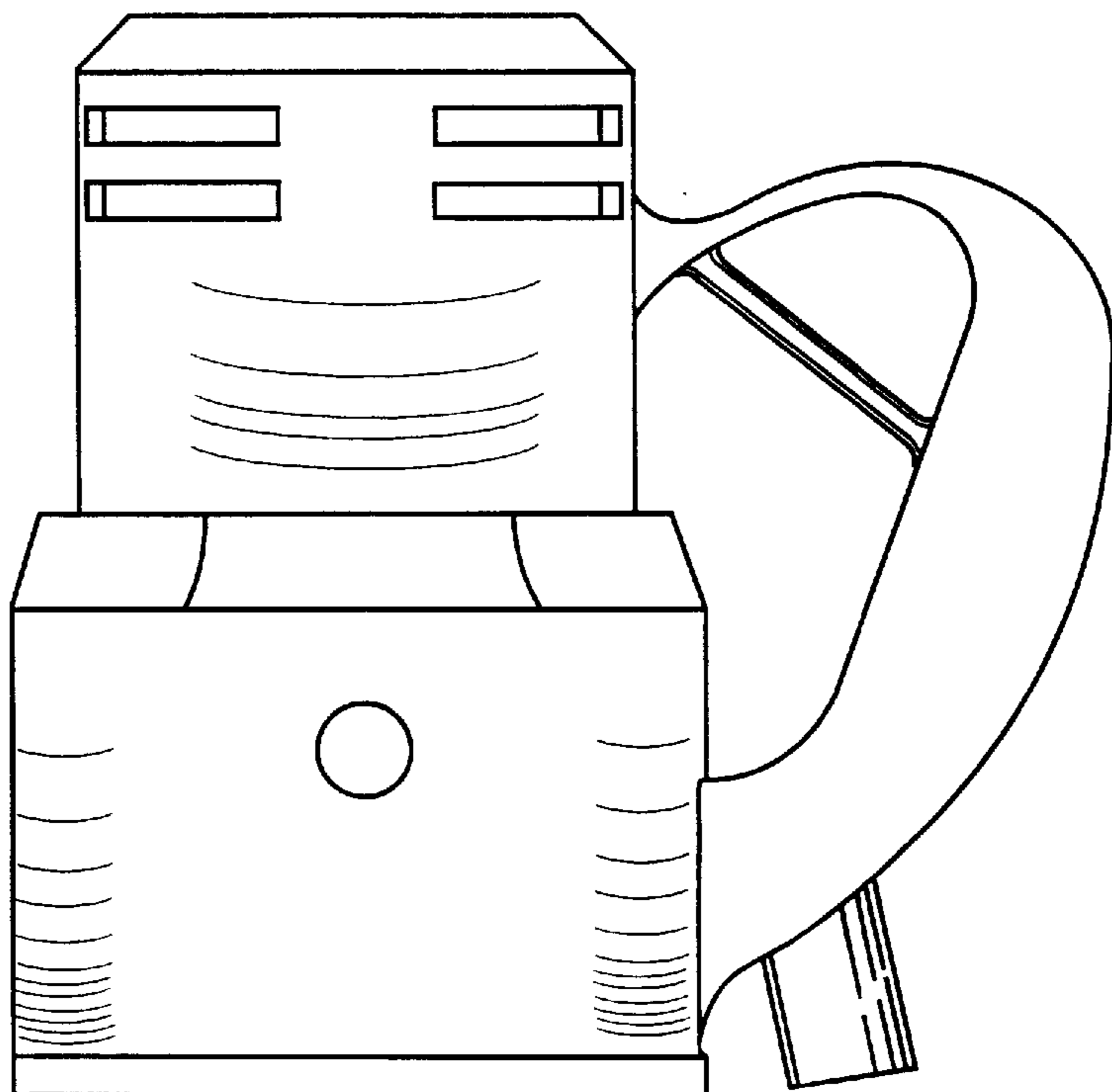


Fig. 6

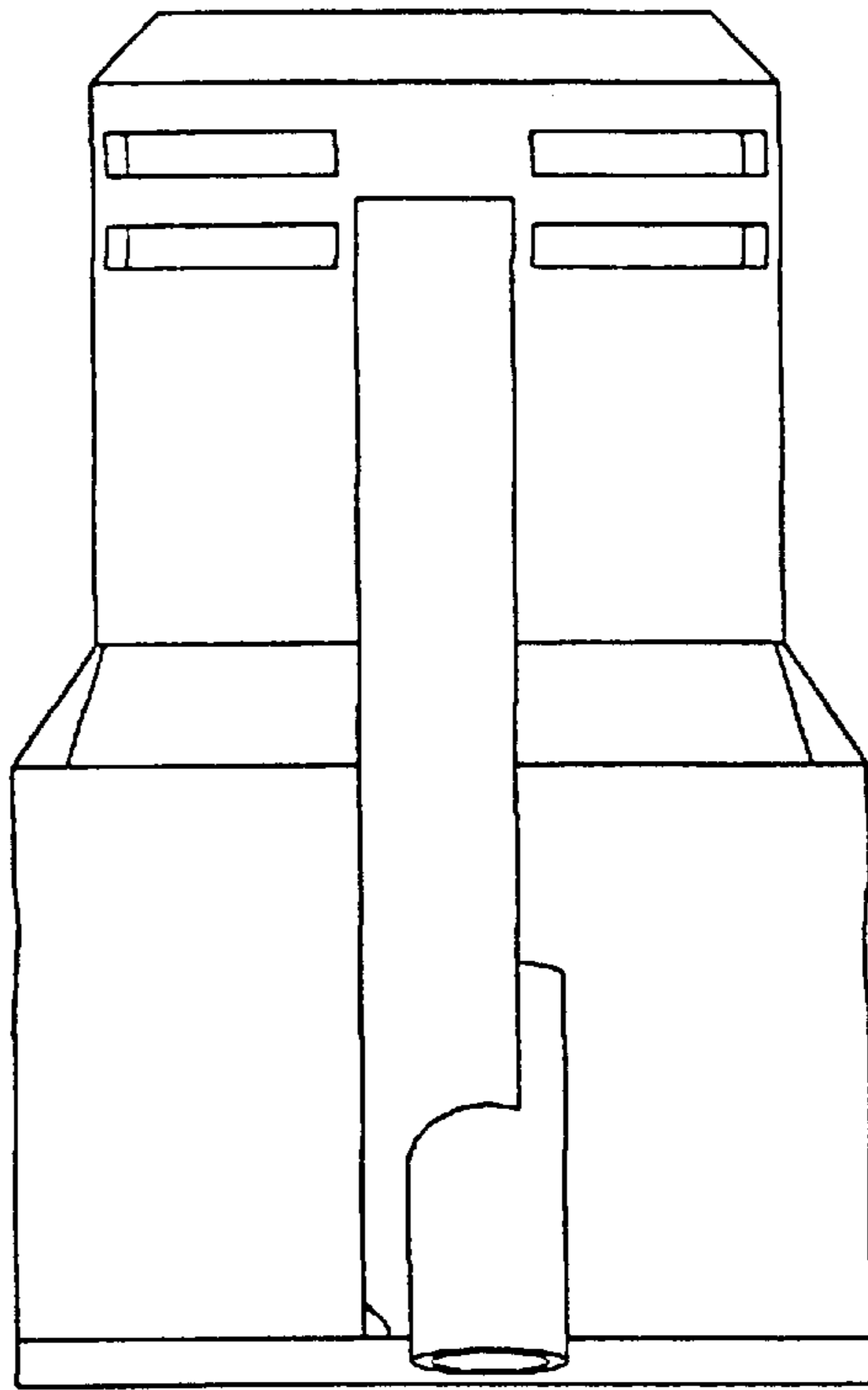


fig.7

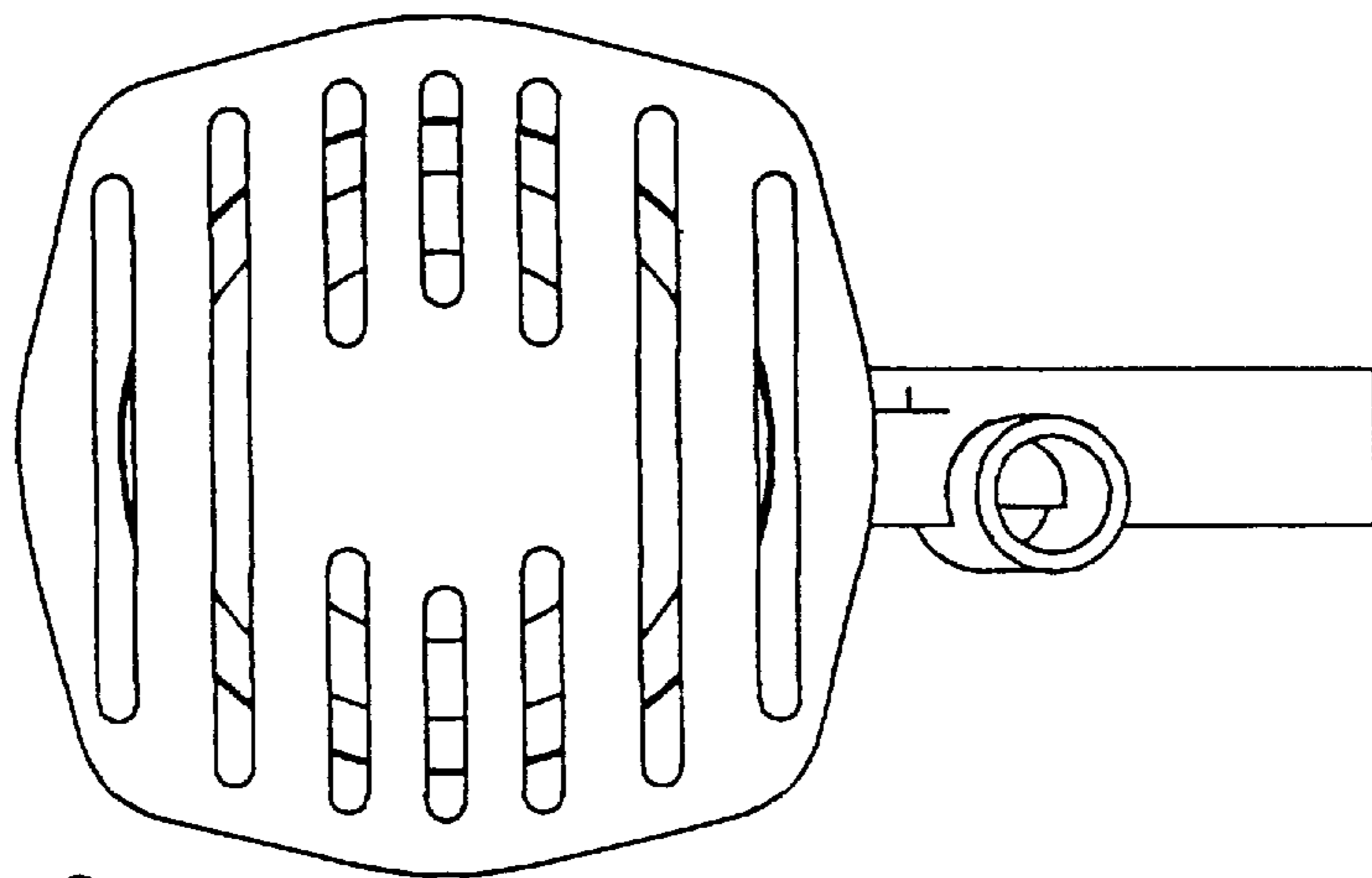


fig.8