



US00D405750S

United States Patent [19] Clapp et al.

[11] Patent Number: **Des. 405,750**

[45] Date of Patent: ****Feb. 16, 1999**

[54] **REUSEABLE ROCKET AIRPLANE**

[75] Inventors: **Mitchell B. Clapp**, Cedar Crest, N. Mex.; **Robert M. Zubrin**, Indian Hills, Colo.; **Daniel P. Raymer**, Sylmar, Calif.

[73] Assignee: **Pioneer Rocketplane Corporation**, Lakewood, Colo.

[**] Term: **14 Years**

[21] Appl. No.: **66,308**

[22] Filed: **Mar. 7, 1997**

[51] **LOC (6) Cl.** **12-07**

[52] **U.S. Cl.** **D12/319; D12/333**

[58] **Field of Search** **D12/319-345; 244/158 R, 159, 162, 163**

3,955,784	5/1976	Salkeld .	
4,265,416	5/1981	Jackson et al. .	
4,792,108	12/1988	Bull	244/159
4,802,639	2/1989	Hardy et al. .	
4,901,949	2/1990	Elias .	
5,090,642	2/1992	Salkeld .	
5,295,642	3/1994	Palmer .	
5,402,965	4/1995	Cervisi et al. .	
5,456,424	10/1995	Palmer .	
5,564,648	10/1996	Palmer .	

Primary Examiner—Kay H. Chin
Attorney, Agent, or Firm—Holland & Hart LLP

[57] CLAIM

We claim the ornamental design for a reusable rocket airplane, as shown and described.

DESCRIPTION

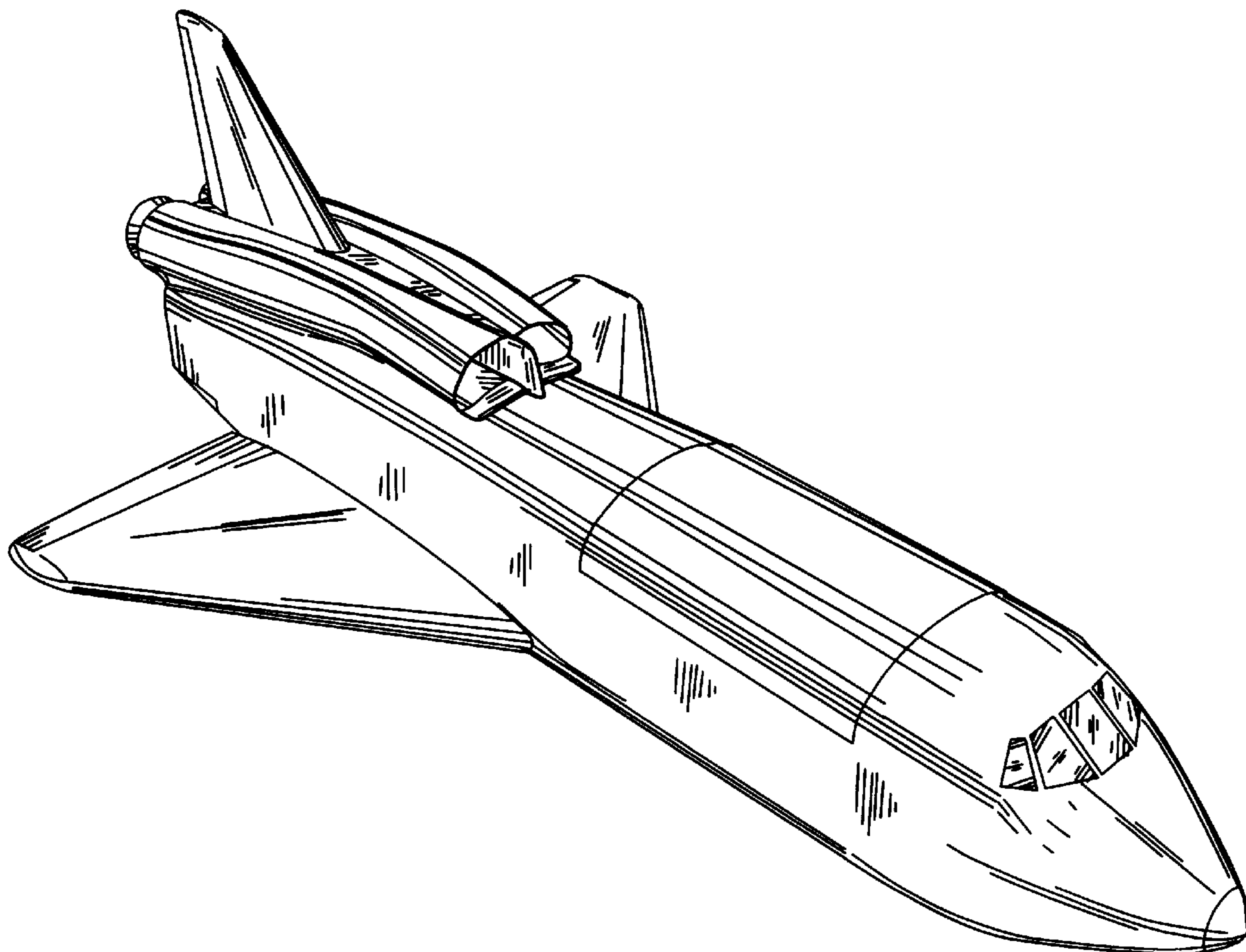
FIG. 1 is a front perspective view of a reusable rocket airplane showing our new design; FIG. 2 is a rear perspective view thereof; FIG. 3 is a right side elevational view thereof; FIG. 4 is a left side elevational view thereof; FIG. 5 is a front elevational view thereof; FIG. 6 is a rear elevational view thereof; FIG. 7 is a bottom plan view thereof; and, FIG. 8 is a top plan view thereof.

1 Claim, 3 Drawing Sheets

[56] References Cited

U.S. PATENT DOCUMENTS

D. 220,980	6/1971	Becker et al. .
D. 248,745	8/1978	Jager .
D. 256,347	8/1980	McComas .
D. 308,043	5/1990	Butler .
D. 356,990	4/1995	Weir et al. .
3,261,571	7/1966	Pinnes .
3,295,791	1/1967	Black .



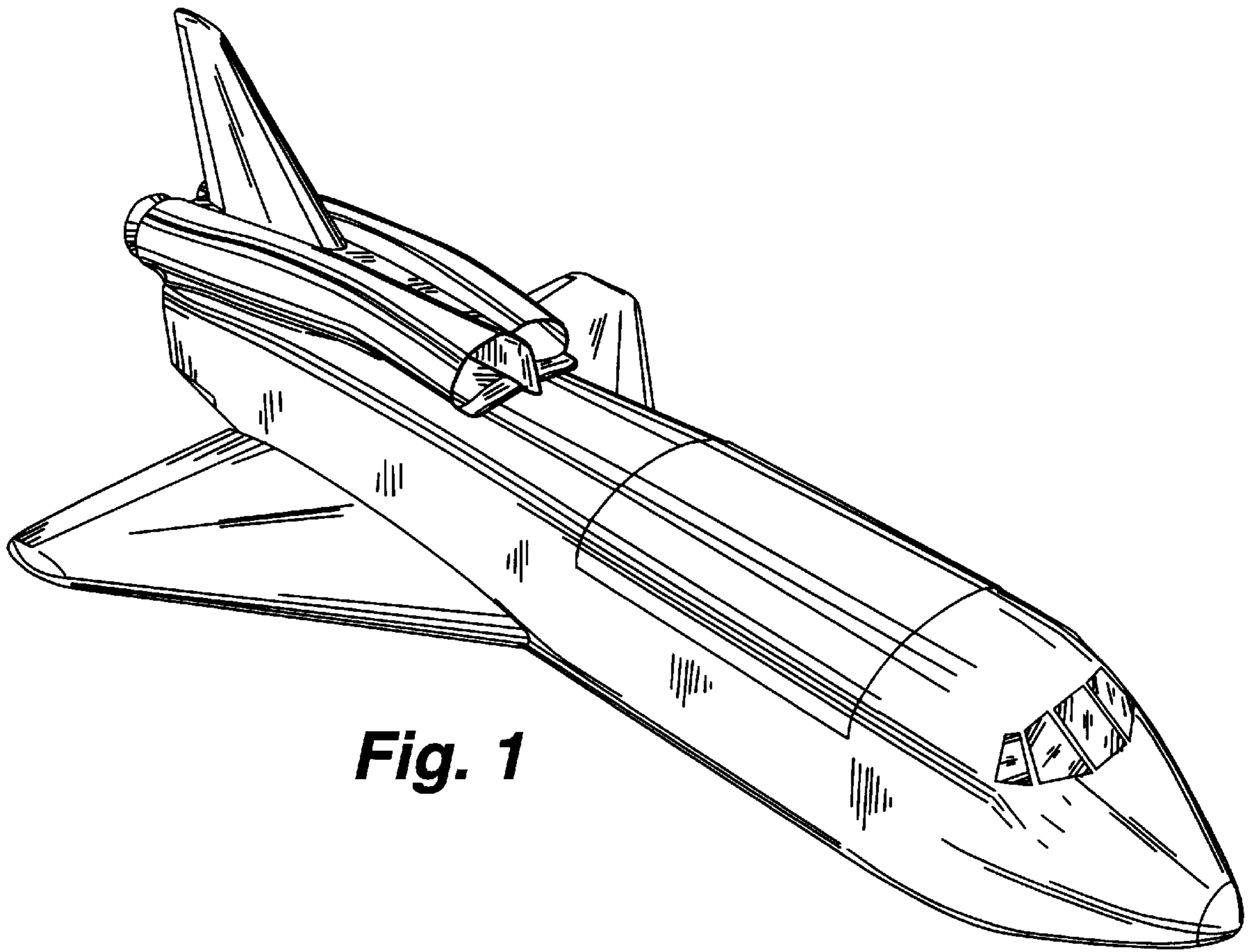


Fig. 1

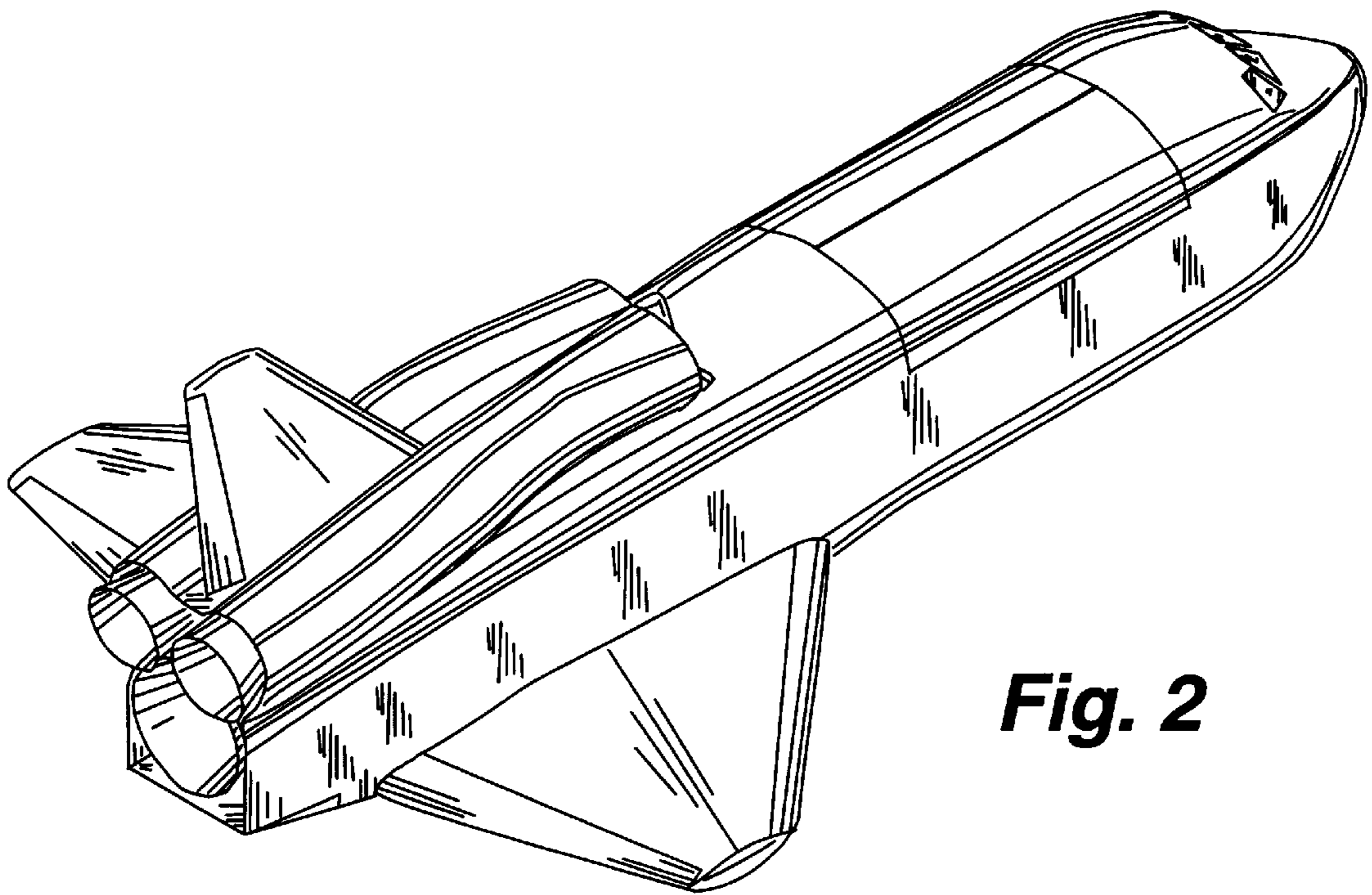


Fig. 2

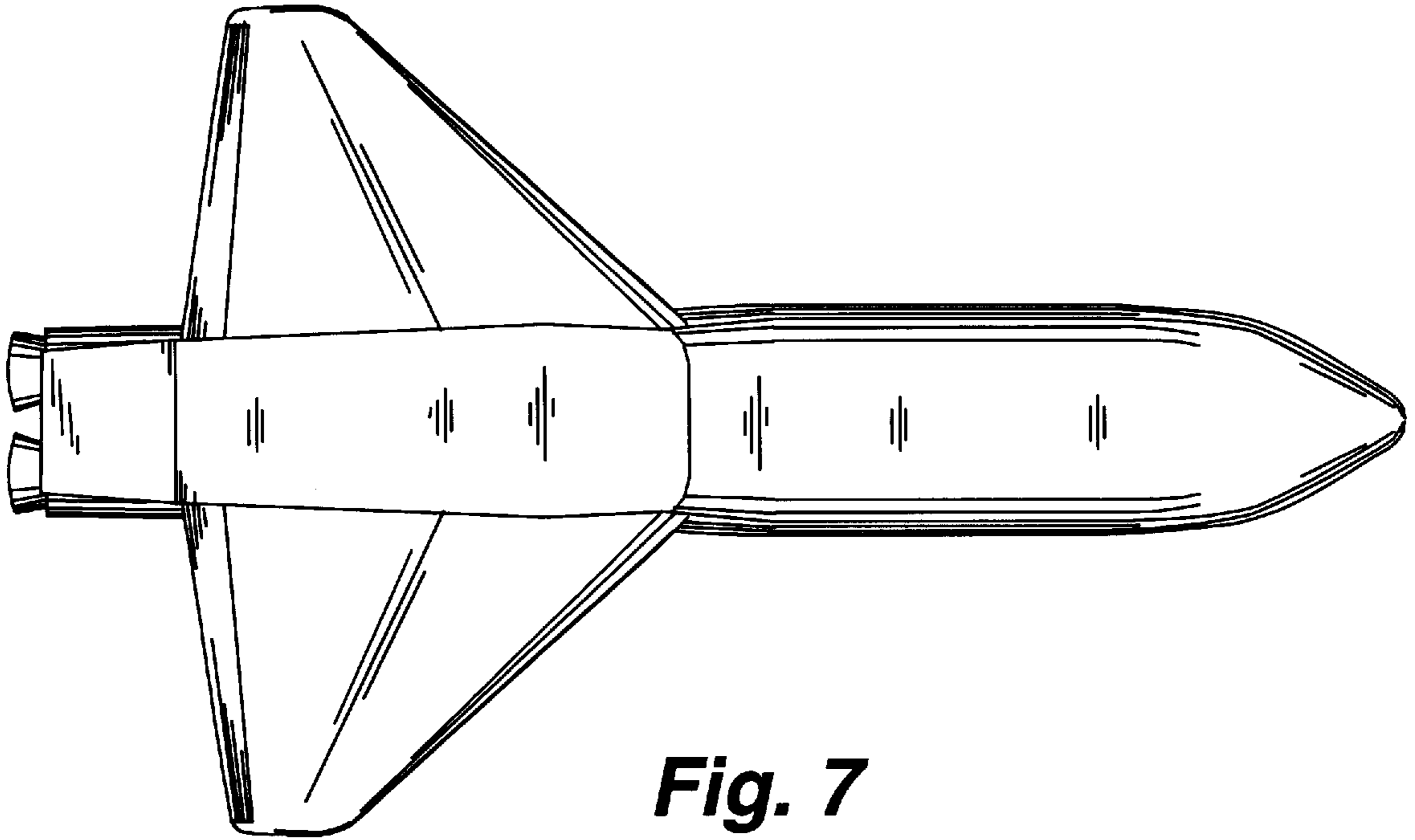


Fig. 7

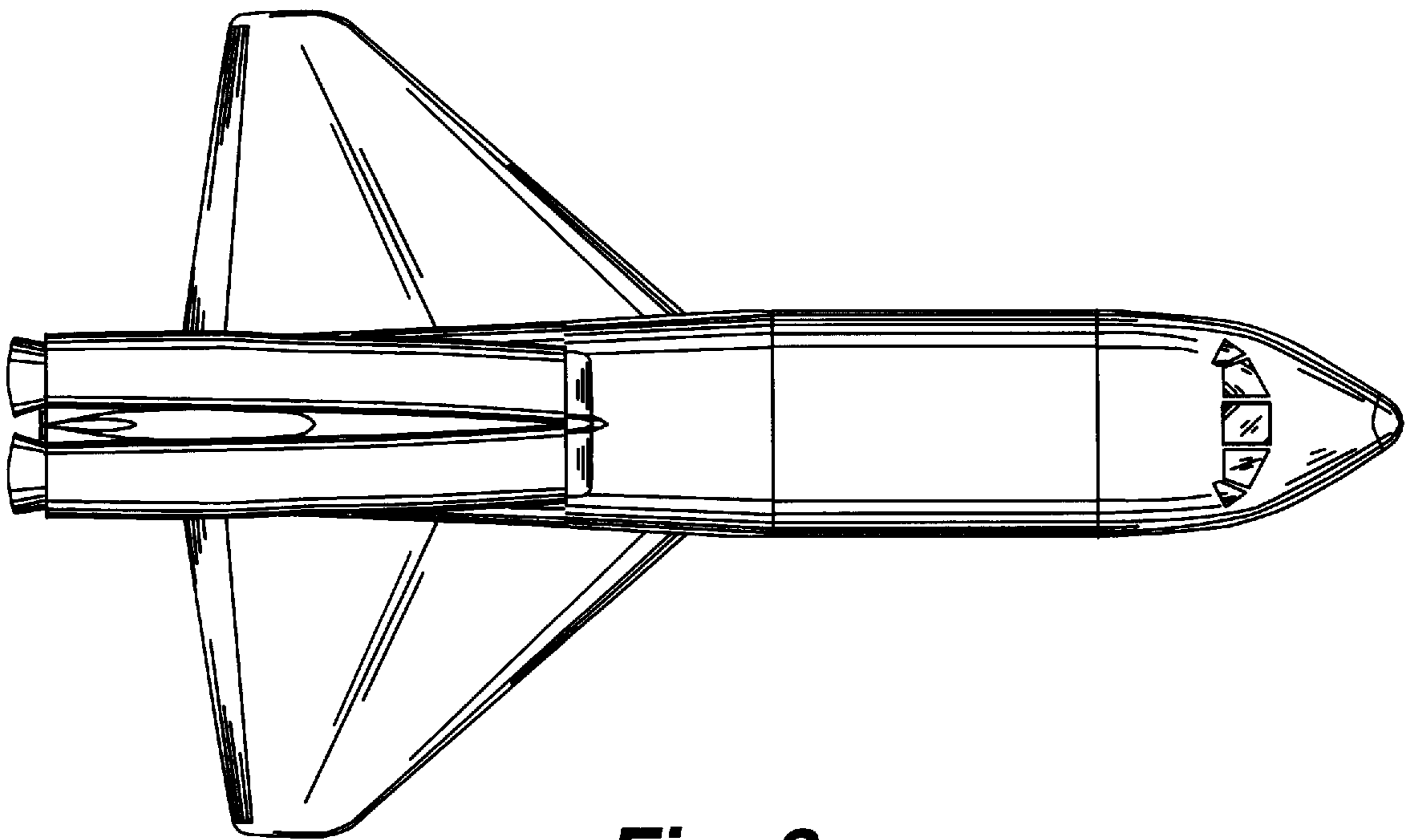


Fig. 8

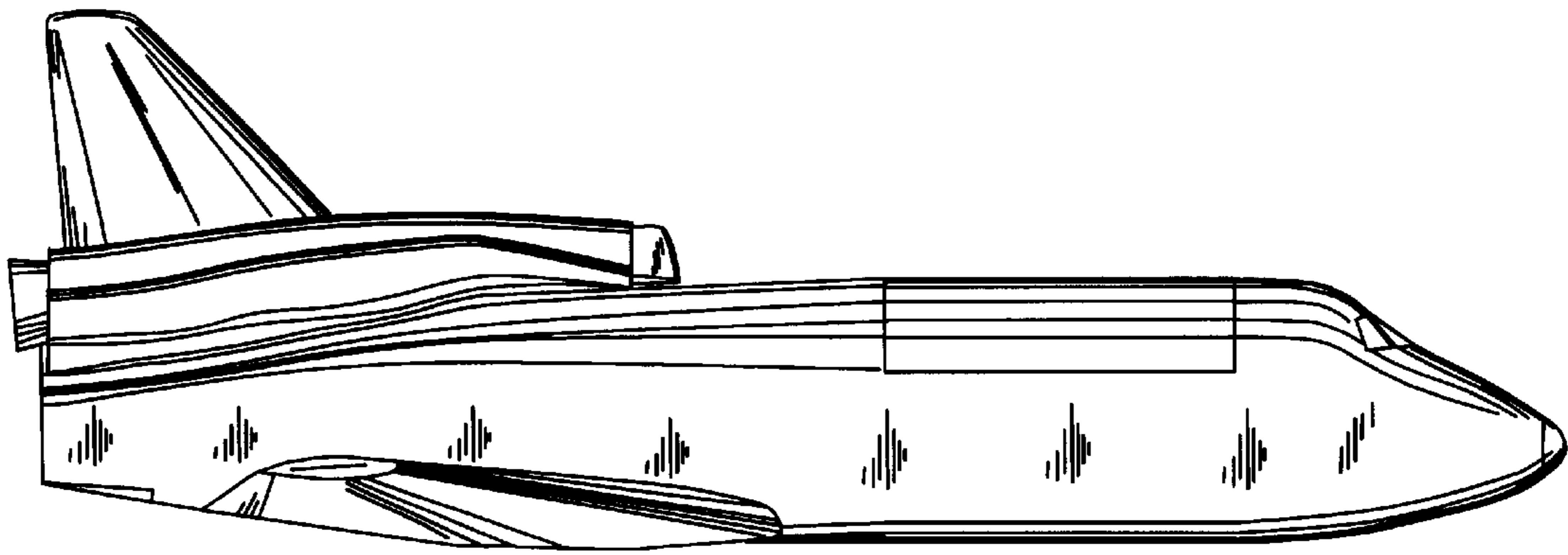


Fig. 3

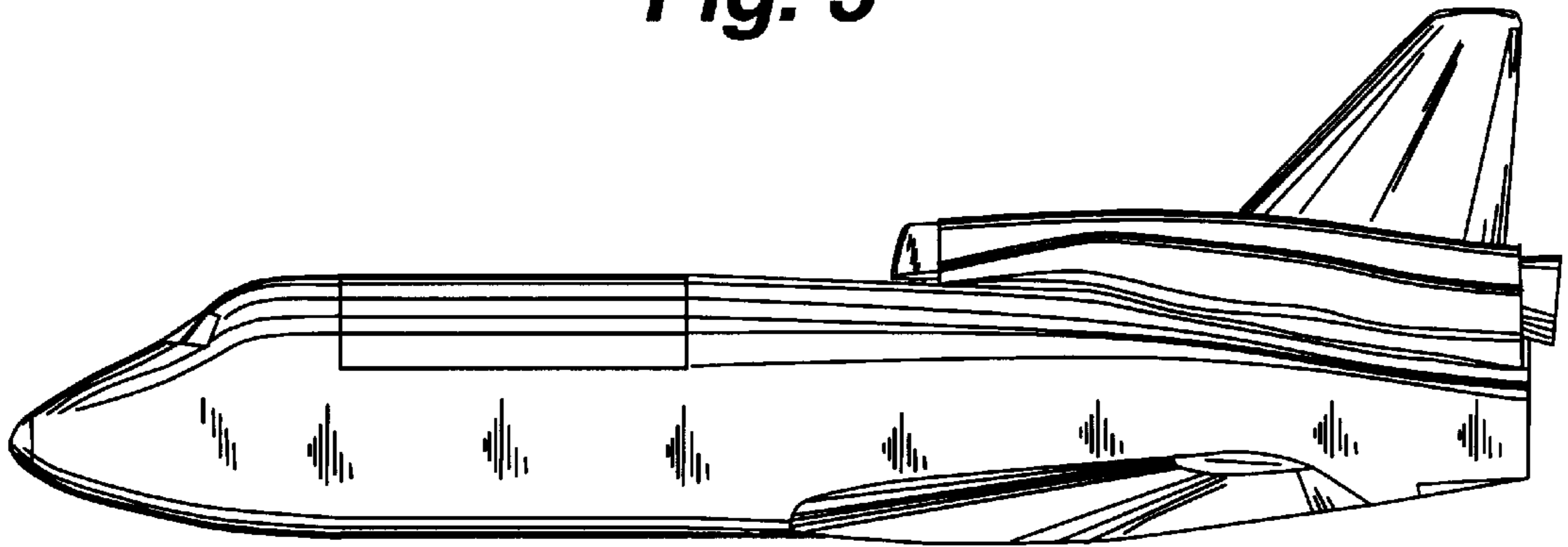


Fig. 4

Fig. 5

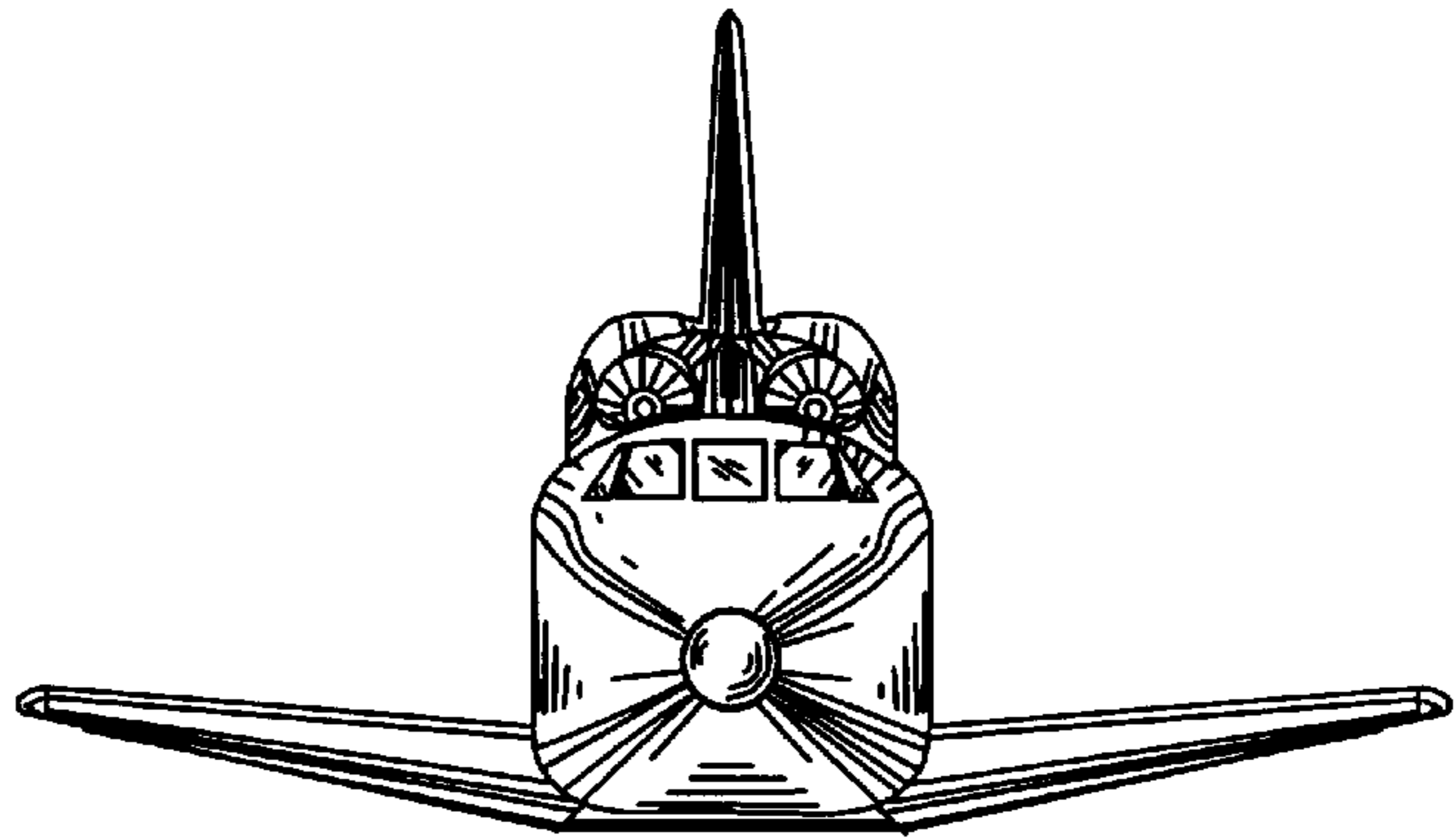


Fig. 6

