



US00D405748S

# United States Patent [19] Embrador

[11] Patent Number: **Des. 405,748**

[45] Date of Patent: **\*\*Feb. 16, 1999**

[54] **SPOKE SEGMENT FOR AUTOMOTIVE VEHICLE WHEEL**

[75] Inventor: **Bob Embrador, Whittier, Calif.**

[73] Assignee: **American Racing Equipment, Inc., Rancho Dominguez, Calif.**

[\*\*] Term: **14 Years**

[21] Appl. No.: **79,892**

[22] Filed: **Nov. 25, 1997**

D. 367,031	2/1996	Hubbach	.....	D12/209
D. 367,460	2/1996	Chung	.....	D12/209
D. 367,461	2/1996	Chung	.....	D12/209
D. 371,533	7/1996	Castiglione	.....	D12/209
D. 372,698	8/1996	Mantua	.....	D12/209
D. 372,699	8/1996	Mantua	.....	D12/209
D. 375,075	10/1996	Kugler	.....	D12/209
D. 377,417	1/1997	Stach	.....	D12/209
D. 377,640	1/1997	Neeper	.....	D12/209
D. 378,670	4/1997	Echazabal et al.	.....	D12/209
D. 380,433	7/1997	Chung	.....	D12/209
D. 387,724	12/1997	Chung	.....	D12/209
D. 388,390	12/1997	Chung	.....	D12/209
D. 389,112	1/1998	Chung	.....	D12/209
D. 389,113	1/1998	Chung	.....	D12/209

### Related U.S. Application Data

[62] Division of Ser. No. 65,211, Jan. 23, 1997, Pat. No. Des. 392,930.

[51] **LOC (6) Cl.** ..... **12-16**

[52] **U.S. Cl.** ..... **D12/209**

[58] **Field of Search** ..... D12/204-213;  
301/64.1, 65, 37.1

### [56] References Cited

#### U.S. PATENT DOCUMENTS

D. 176,544	1/1956	Lyon	.....	D14/30
D. 248,295	6/1978	Day et al.	.....	D12/206
D. 272,431	1/1984	Hedlund	.....	D12/211
D. 292,568	11/1987	Cafaro et al.	.....	D12/209
D. 292,693	11/1987	Cattaneo	.....	D12/211
D. 298,527	11/1988	Lorinser	.....	D12/211
D. 300,422	3/1989	Schinella	.....	D12/209
D. 329,416	9/1992	Braungart et al.	.....	D12/209
D. 334,730	4/1993	Chung	.....	D12/209
D. 339,316	9/1993	Chung	.....	D12/209
D. 339,317	9/1993	Chung	.....	D12/209
D. 339,561	9/1993	Maiworm et al.	.....	D12/211
D. 342,714	12/1993	Nikawa	.....	D12/211
D. 351,581	10/1994	Chung	.....	D12/209
D. 351,582	10/1994	Echazabel	.....	D12/209
D. 351,821	10/1994	Oka	.....	D12/209
D. 352,688	11/1994	Boselli	.....	D12/211
D. 360,610	7/1995	Bernoni	.....	D12/211
D. 360,866	8/1995	Echazabal et al.	.....	D12/209
D. 363,457	10/1995	Coddington	.....	D12/209
D. 363,910	11/1995	Chung	.....	D12/209
D. 363,911	11/1995	Chung	.....	D12/209
D. 363,912	11/1995	Chung	.....	D12/209
D. 363,913	11/1995	Chung	.....	D12/209

### OTHER PUBLICATIONS

Progressive Custom Wheels, *On the Edge Catalog*, p. 6, PRO 57/ PRO 157, 1995.  
 Pure USA, Catalog, p. 7, 57 Series, 157 Series, 1995.  
 Ultra Custom Wheels, Catalog, p. 4, Type 108, 1996.  
 Ultra Custom Wheels, Catalog, p. 5, Type 109/110, 1996.  
 Standard & Custom Wheels for Passenger, Light Truck, Vans, & 4.W.D., pp. 86 & 87, (No Date).  
 Golden Wheel Corporation, *Tire Review*, May 1992, pp. 17 & 19.

(List continued on next page.)

*Primary Examiner*—James Gandy  
*Assistant Examiner*—Stacia Sinuik  
*Attorney, Agent, or Firm*—Thompson Hine & Flory LLP

### [57] CLAIM

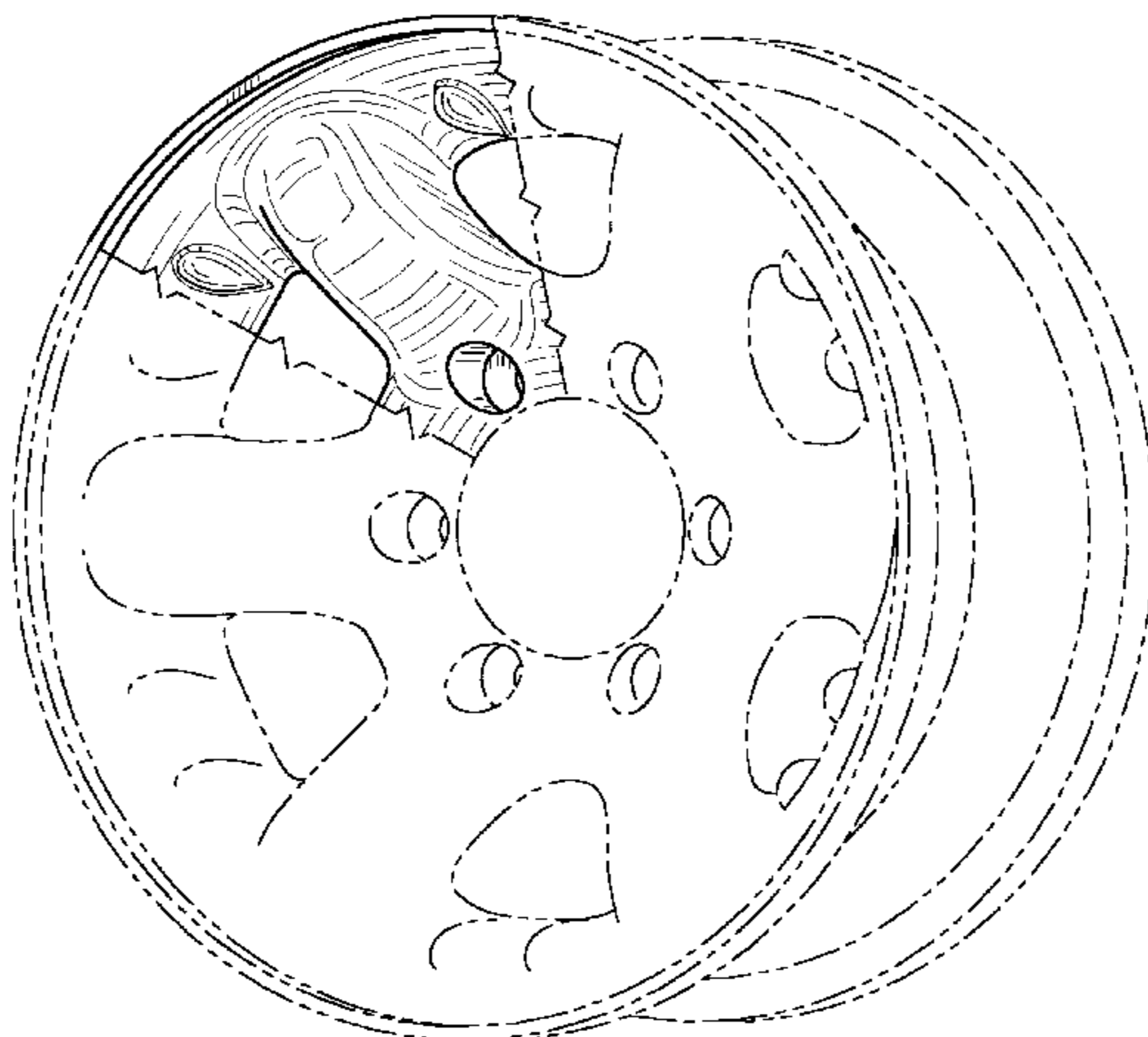
The ornamental design for a spoke segment for automotive vehicle wheel, as shown and described.

### DESCRIPTION

FIG. 1 is a perspective view of a spoke segment for automotive vehicle wheel, showing my new design; and, FIG. 2 is a front view thereof.

The broken lines adjacent to the spoke member on the wheel and in the center hub area define the bounds of the claimed design and form no part thereof while the remaining broken lines depict environment for illustrative purposes only and forms no part of the claimed design.

**1 Claim, 1 Drawing Sheet**



## OTHER PUBLICATIONS

- Rial USA, Inc., Tire Review, Jun. 1991, p. 15.  
Amtech Wheel, Inc., Pricing Sheet, Oct. 1995.  
Ultra Wheel Company, (No Date).  
Elite Wheel Corp., Tire Review, May 1993.  
Niche Road Wheels, (No Date).  
American Racing Equipment Custom Wheels, The American Flyer, Oct. 1995.  
Sendel Performance Alloy Wheels, Exhibit Q16, (No Date).  
SEC Alloy Wheels, Oct. 1995.  
American Racing Equipment Custom Wheels, Feb. 1991.  
Ultra Custom Wheels, 2<sup>nd</sup> Edition, 1991.  
Amtech, Exhibit Q2, (No Date).  
Ultra Custom Wheels, 1996.  
Hankook Tire, Tire Review, May 1993.  
Funsu Custom Wheel and Tire Style Guide, p. 31, 1993.  
Cragar, Exhibit Q4, (No Date).  
Golden Wheel Corporation, Enkei, (No Date).  
Eagle Alloys, American Eagle Wheel Corporation, Exhibit Q1, Summer 1991.  
Spectrum Custom Wheels, Exhibit Q18, (No Date).  
Sendel Performance Alloy Wheels, Exhibit Q16 (No Date).  
Ultra Custom Wheels, 1995.  
Pure USA, pp. 8 & 12 (No Date).  
Choice of the Motorsport Generation Catalogue, Exhibit Q5, 1992.  
Custom Wheel, Jobber Price Sheet, 1992.  
Prime Wheel, Exhibit Q12 (No Date).  
Primax Wheel Corporation, Exhibit Q11, (No Date).  
Optima, pp. 119–122, Exhibit Q10 (No Date).  
Keystone, pp. 99–118, Exhibit Q9, Mar. 1991.  
Formula, pp. 93–98, Exhibit Q8, (No Date).  
Epic Wheels, pp. 89–92, 1992, Exhibit Q7.  
Progressive, pp. 141–148, 1991 Catalog, Exhibit Q13.  
Prime Wheel Catalog, 1994.  
SEC, Alloy Wheels, 1996.  
Pure Custom Wheels, pp. 149–152, 1992 Catalog, Exhibit Q14.  
ROH CSA Alloy Wheels, p. 153 Exhibit Q15, (No Date).  
Golden Wheel Corporation, Enkei, pp. 69–88, Exhibit Q6, (No Date).  
American Racing Equipment, Spring 94.  
Billet Wheels, (No Date).  
Wheels, (No Date).  
SEC, Exhibit Q17, pp. 159–164 (No Date).  
Progressive Custom Wheels, 1996.  
Get Primed, (No Date).  
CTA, (No Date).  
Progressive Custom Wheels, pp. 1–14, (No Date).  
Optima, (No Date).  
Ultra Custom Wheels, (No Date).  
KMC Custom Wheels, (No Date).  
Progressive, Catalog Supplement, 1991.  
Epic Wheels, pp. 1–7, 1995.  
1994 Performance Wheel, Tire & Suspension Handbook.  
1997 American Racing Custom Wheels.

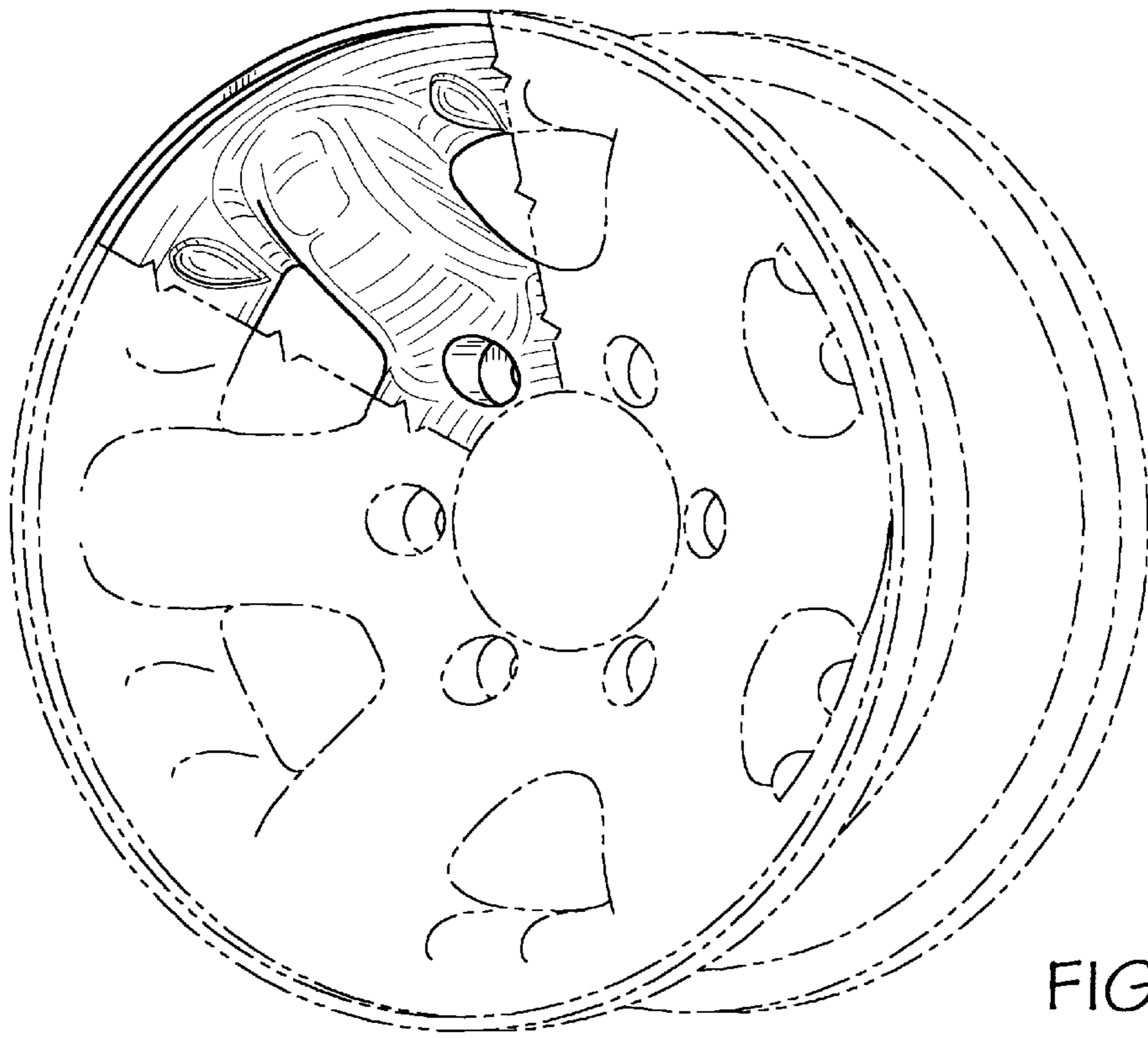


FIG. 1

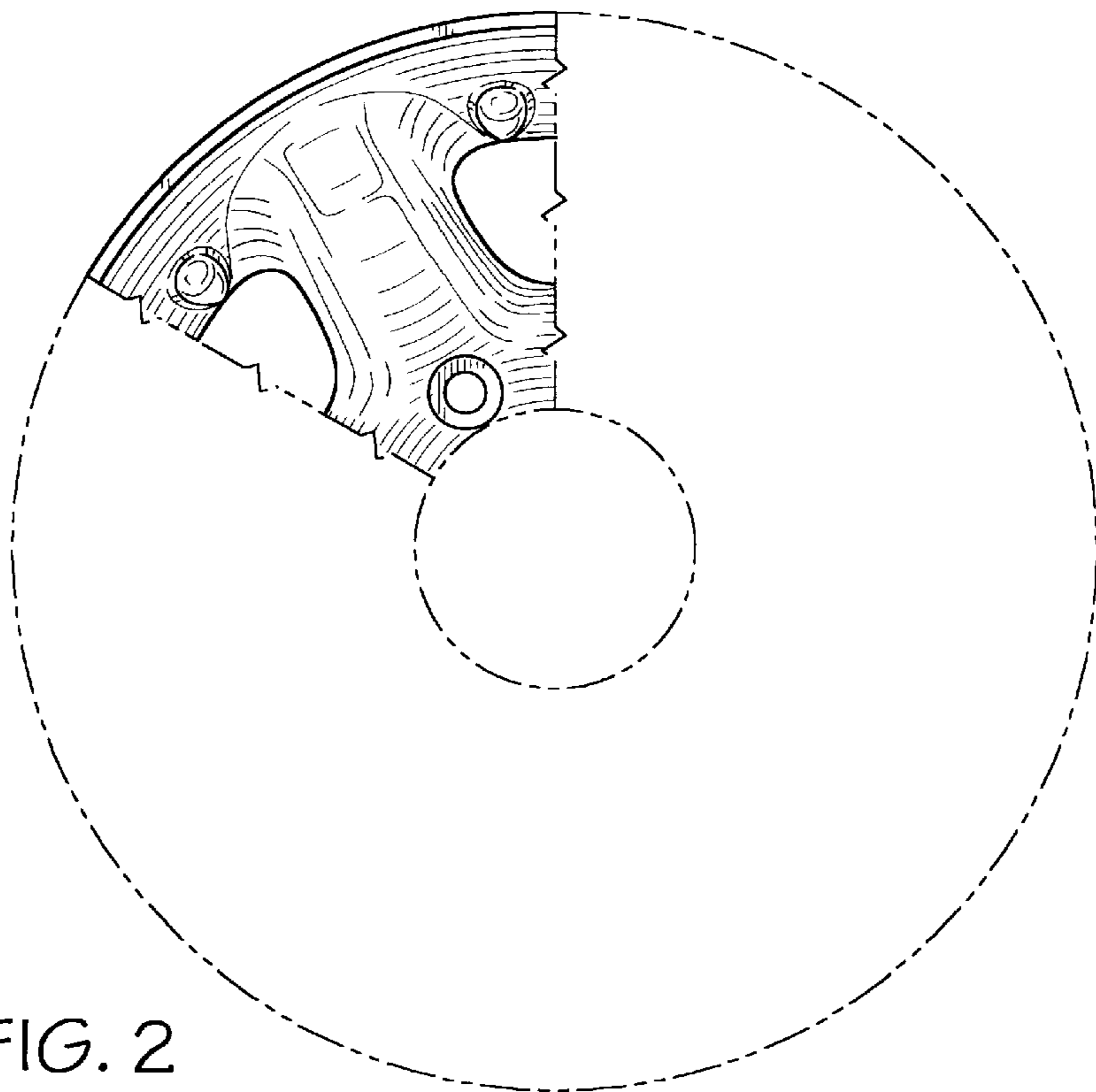


FIG. 2