



US00D405745S

United States Patent [19] Stirling

[11] Patent Number: **Des. 405,745**

[45] Date of Patent: ****Feb. 16, 1999**

[54] **SIDE VIEW MIRROR**

[76] Inventor: **Charles S. Stirling**, P.O. Box 488,
Aliceville, Ala. 35442

[**] Term: **14 Years**

[21] Appl. No.: **79,152**

[22] Filed: **Oct. 21, 1997**

[51] **LOC (6) Cl.** **12-16**

[52] **U.S. Cl.** **D12/187**

[58] **Field of Search** D12/187, 188;
D26/34; D6/308; 362/135; 359/850, 857,
865

[56] **References Cited**

U.S. PATENT DOCUMENTS

D. 219,337	12/1970	Monos .	
D. 250,332	11/1978	Aiga .	
D. 259,875	7/1981	Hanson .	
D. 285,188	8/1986	Recht .	
D. 297,926	10/1988	Kesler .	
D. 316,996	5/1991	Swauger .	
D. 353,125	12/1994	Mingledorff .	
D. 356,537	3/1995	Eisenbraum D12/187
D. 375,926	11/1996	Snyder D12/187
D. 390,522	2/1998	Nagayama D12/187
2,582,651	1/1952	Peterson .	

2,663,224	12/1953	Younglove .	
2,705,904	4/1955	Tagliaferri .	
3,180,219	4/1965	Ruiz et al. .	
3,389,952	6/1968	Tobin, Jr. .	
3,667,833	6/1972	Baldwin, Sr. .	
3,826,563	7/1974	Davis .	
4,245,894	1/1981	Luchtenberg .	
4,828,379	5/1989	Parsons et al. .	
4,859,046	8/1989	Traynor et al. .	
5,115,352	5/1992	Espirito Santo .	
5,210,655	5/1993	Mishali 359/850

Primary Examiner—Ralf Seifert
Attorney, Agent, or Firm—Oliff & Berridge, PLC

[57] **CLAIM**

The ornamental design for side view mirror, as shown and described.

DESCRIPTION

FIG. 1 is a perspective view of a side view mirror showing my new design, the broken lines illustrating the environment in which the side view mirror may be used and forming no part of the claimed design, the environment being a generic side view mirror housing with which the side view mirror can be used;
FIG. 2 is a front view thereof, showing no environment; and,
FIG. 3 is a rear view thereof, showing no environment.

1 Claim, 2 Drawing Sheets

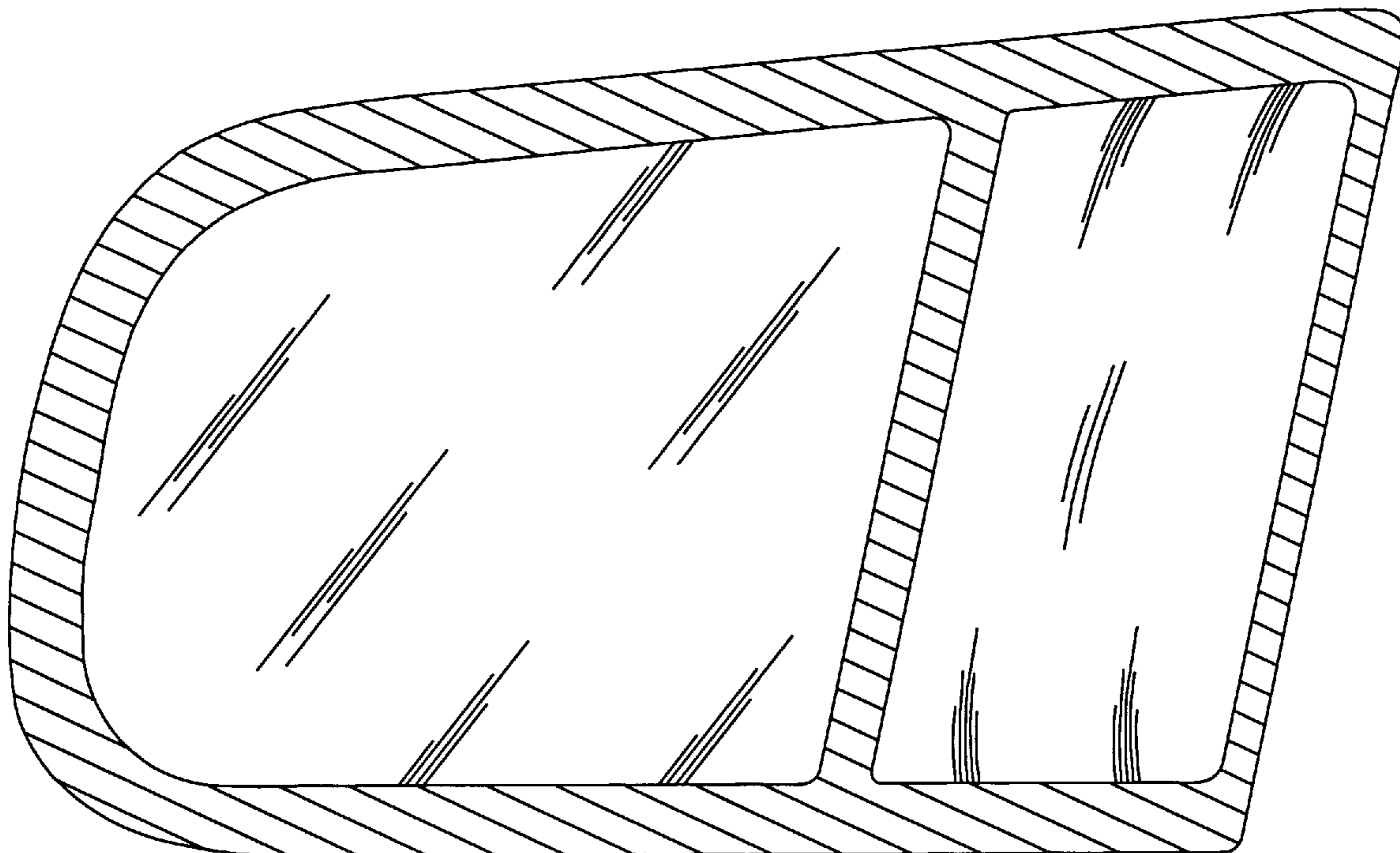


FIG. 1

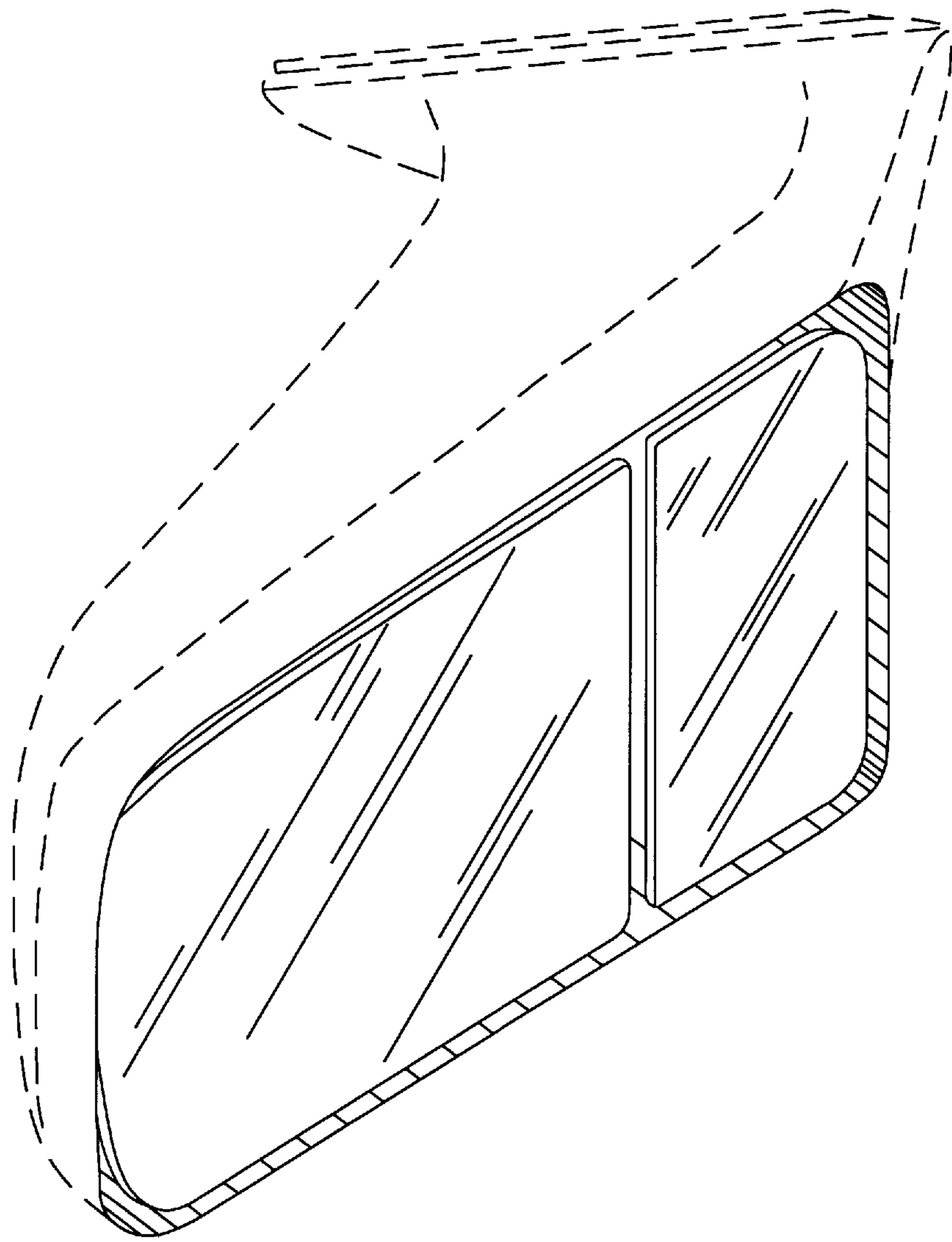


FIG. 2

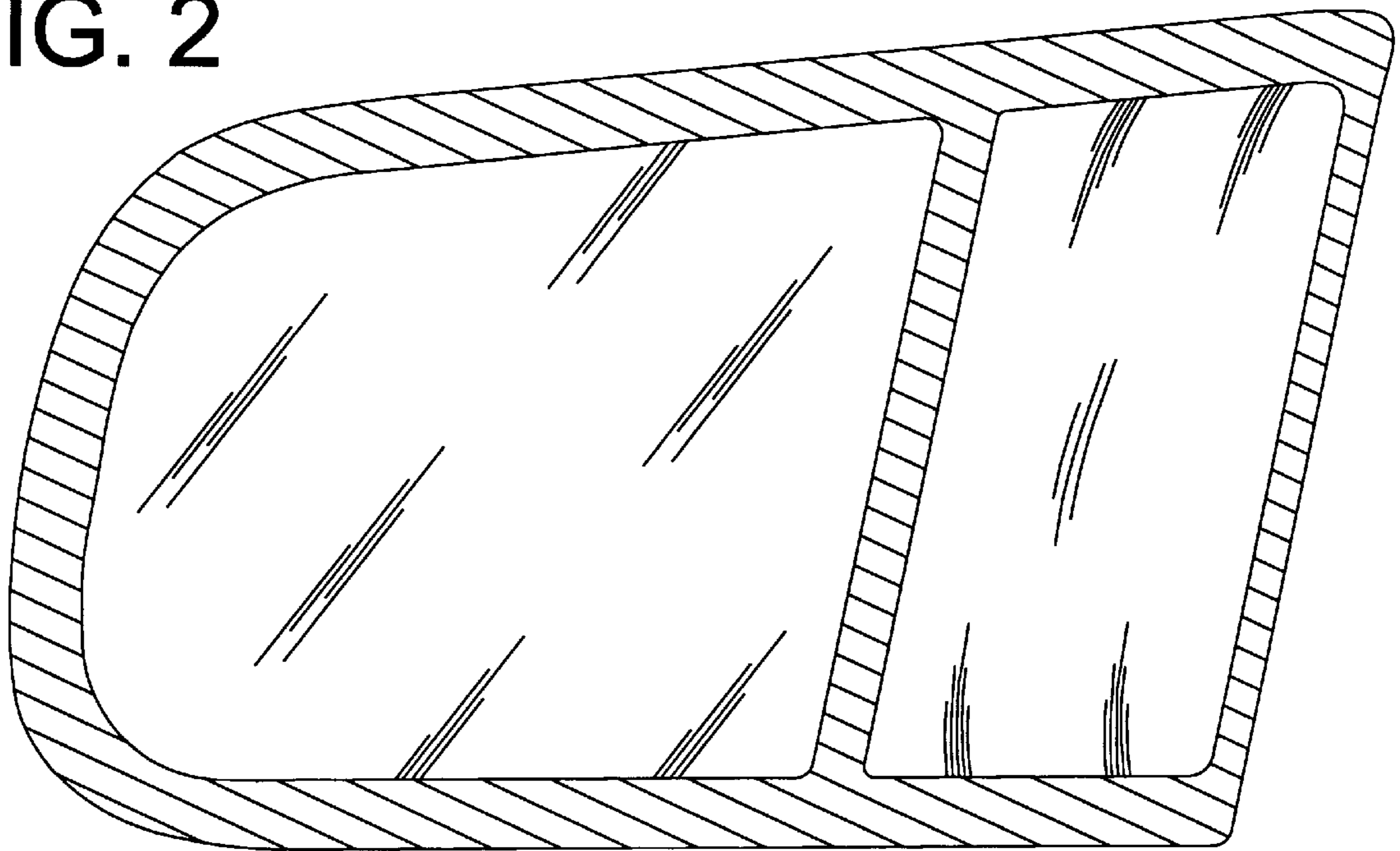


FIG. 3

