



US00D405735S

United States Patent [19]

Hagmaier et al.

[11] Patent Number: Des. 405,735

[45] Date of Patent: **Feb. 16, 1999

[54] TIRE TREAD

[75] Inventors: **Rodger Arland Hagmaier**, Hudson;
Arthur Webster Magee, Akron, both of Ohio

[73] Assignee: **The Goodyear Tire & Rubber Company**, Akron, Ohio

[**] Term: **14 Years**

[21] Appl. No.: **82,234**

[22] Filed: **Jan. 19, 1998**

[51] LOC (6) Cl. **12-15**

[52] U.S. Cl. **D12/147; D12/142**

[58] Field of Search **D12/136-138, D12/140, 142-151; 152/209 R, 209 A, 209 D**

[56] **References Cited**

U.S. PATENT DOCUMENTS

D. 191,778	11/1961	Hawkinson	D90/20
D. 195,077	4/1963	Humphries	D90/20
D. 262,362	12/1981	Gill	D12/143
D. 279,364	6/1985	Kusube	D12/146
D. 279,890	7/1985	Kusube	D12/146
D. 280,612	9/1985	Tansei	D12/146
D. 367,455	2/1996	Herberger et al.	D12/148
4,112,994	9/1978	Mills et al.	152/354 R

4,481,992	11/1984	Takigawa et al.	152/209 R
4,865,099	9/1989	Goergen	152/209 R
5,373,881	12/1994	Enoki	152/209 R

OTHER PUBLICATIONS

Brunswick Super Hi-Way King II Tire, 1996 Tread Design Guide, p. 83, Feb. 1996.

Goodyear Unisteel G167 Tire, 1996 Tread Design Guide, p. 140, Feb. 1996.

Primary Examiner—Robert M. Spear

Attorney, Agent, or Firm—T. P. Lewandowski

[57] **CLAIM**

The ornamental design for a tire tread, as shown and described.

DESCRIPTION

FIG. 1 is a perspective view of a tire tread showing our new design, it being understood that the pattern repeats uniformly throughout the circumference of the tread;

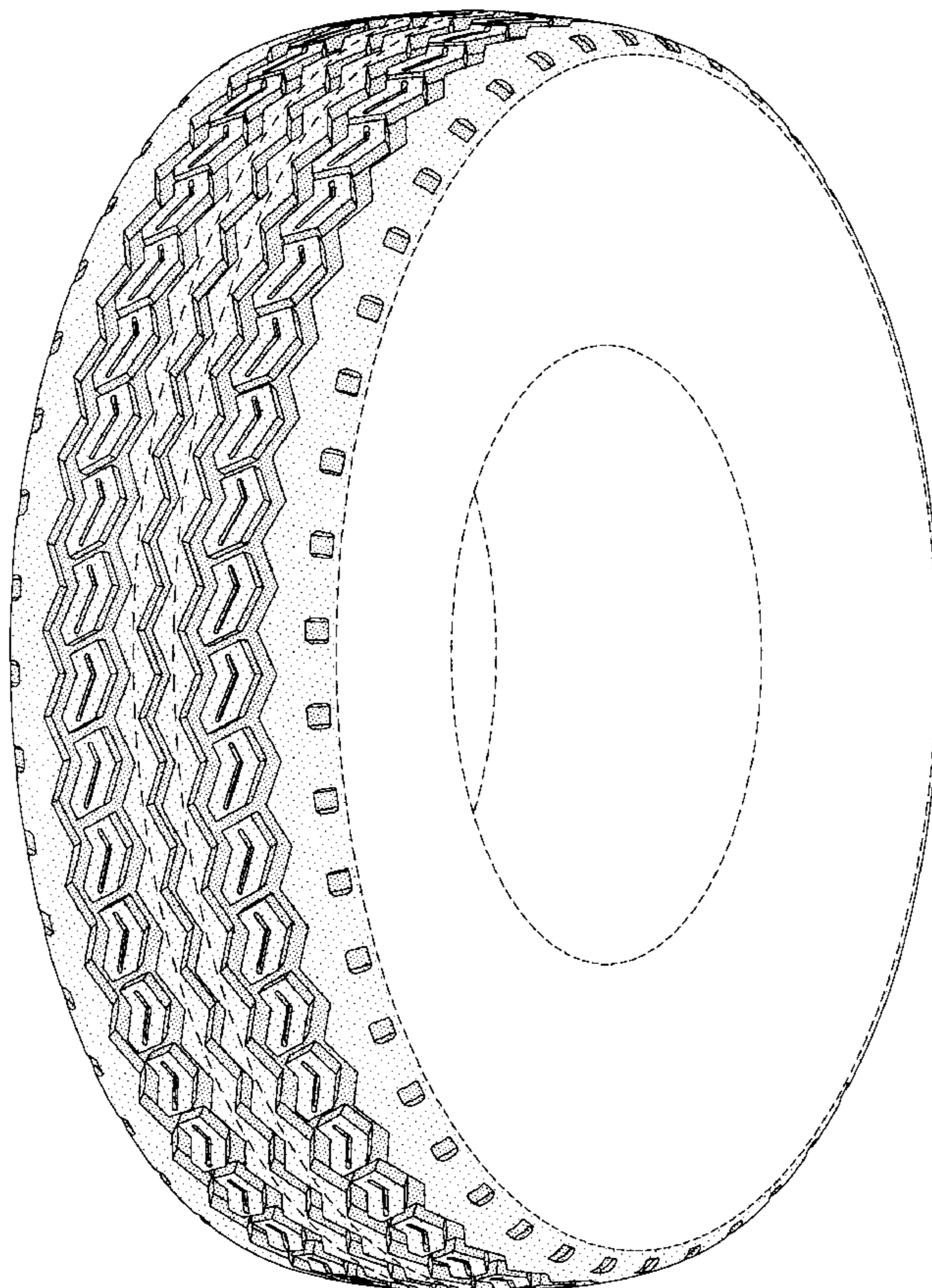
FIG. 2 is a front elevational view thereof;

FIG. 3 is a side elevational view thereof, the opposite side elevational view being identical thereto; and,

FIG. 4 is an enlarged fragmentary front perspective view thereof.

In the drawings, the broken lines defining the inner bead of the sidewall and the peripheral boundary between the tire tread and the sidewall are for illustrative purposes only and form no part of the claimed design.

1 Claim, 4 Drawing Sheets



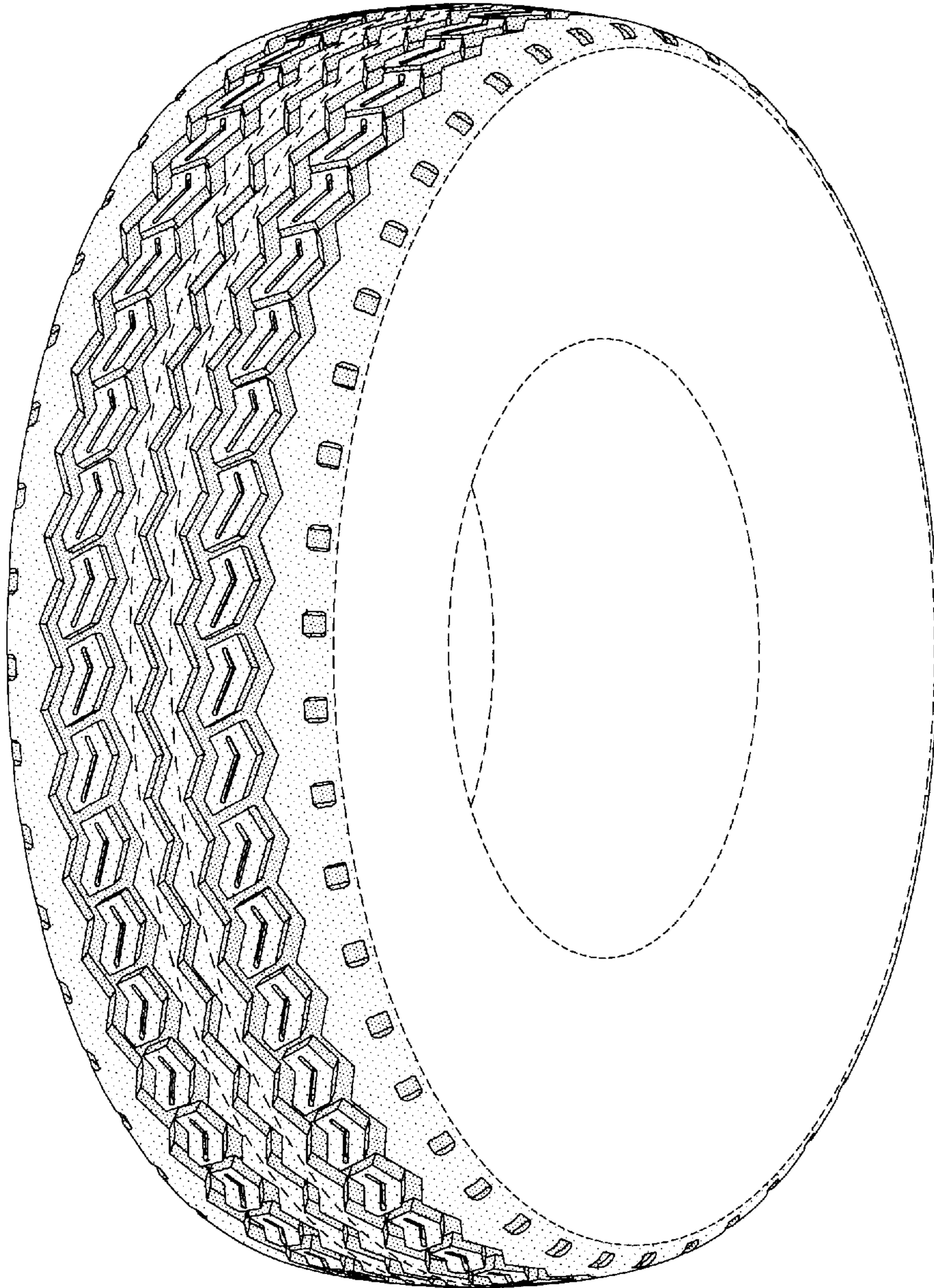


FIG-1

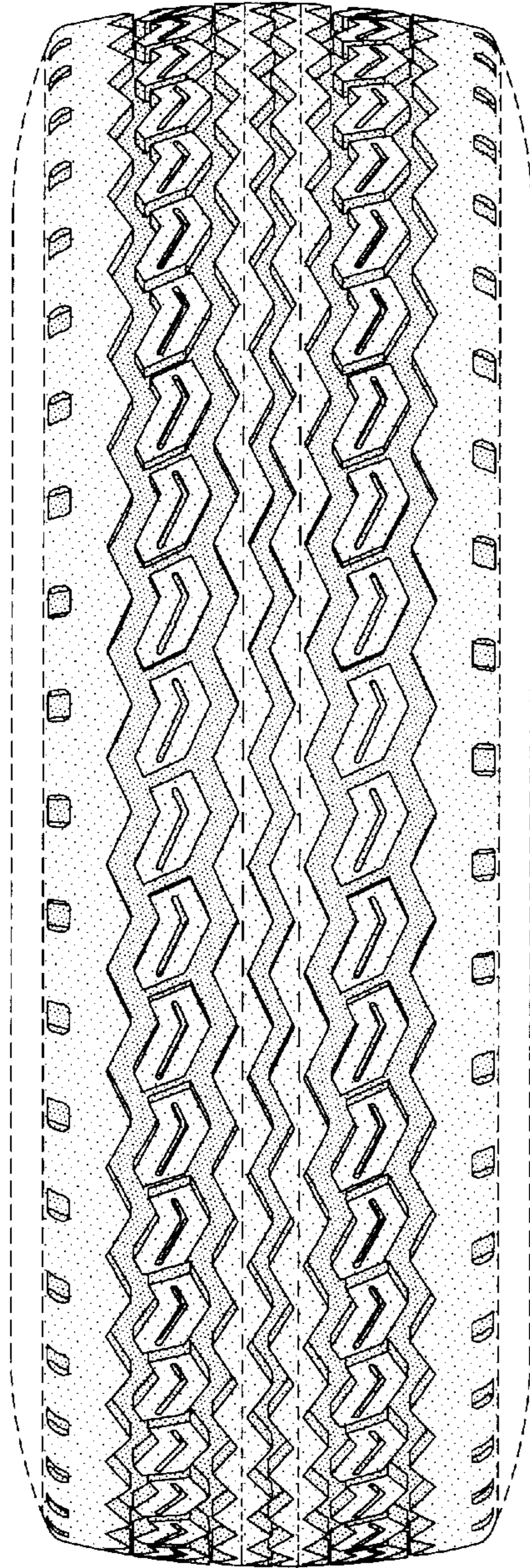


FIG-2

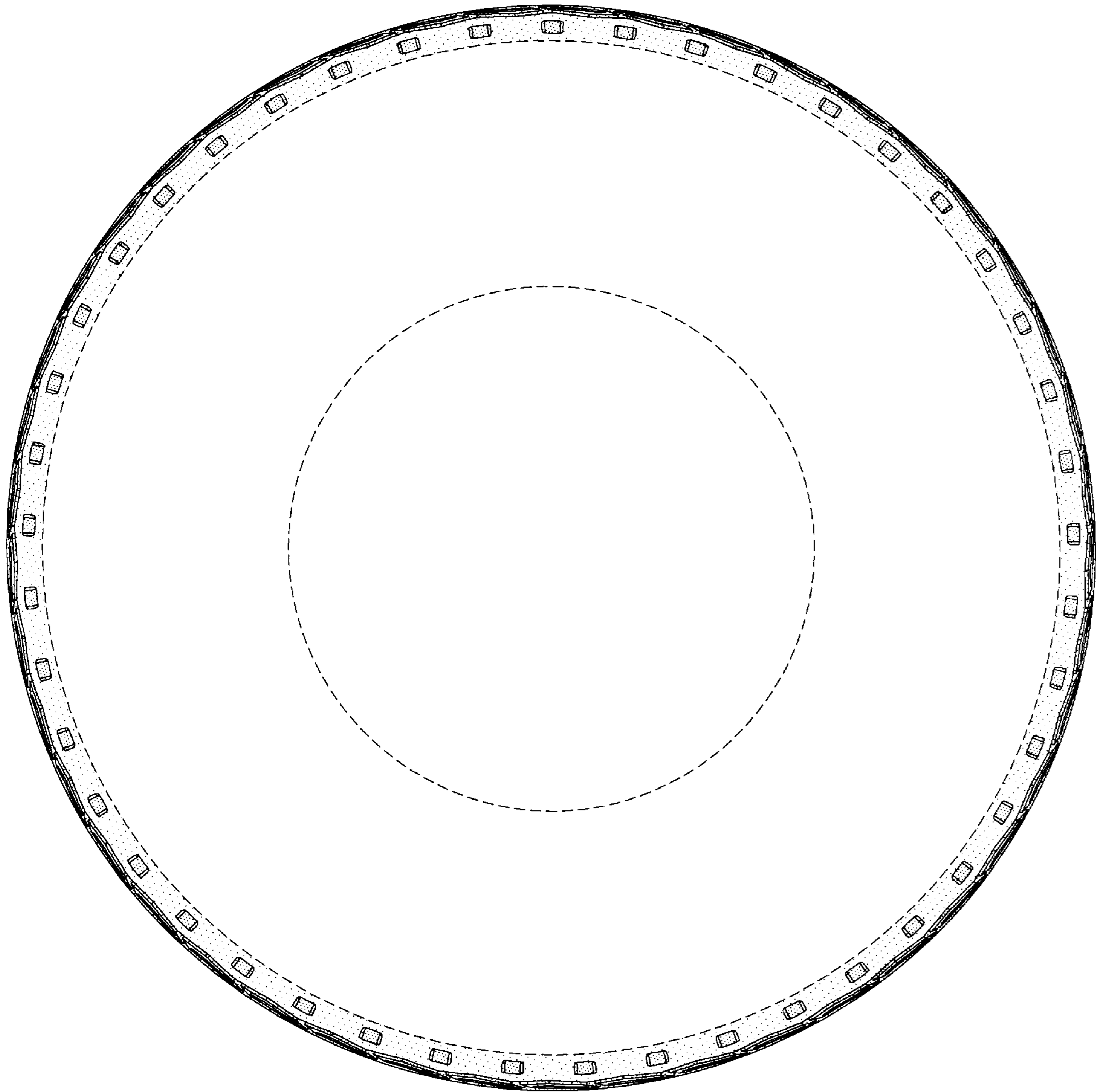


FIG-3

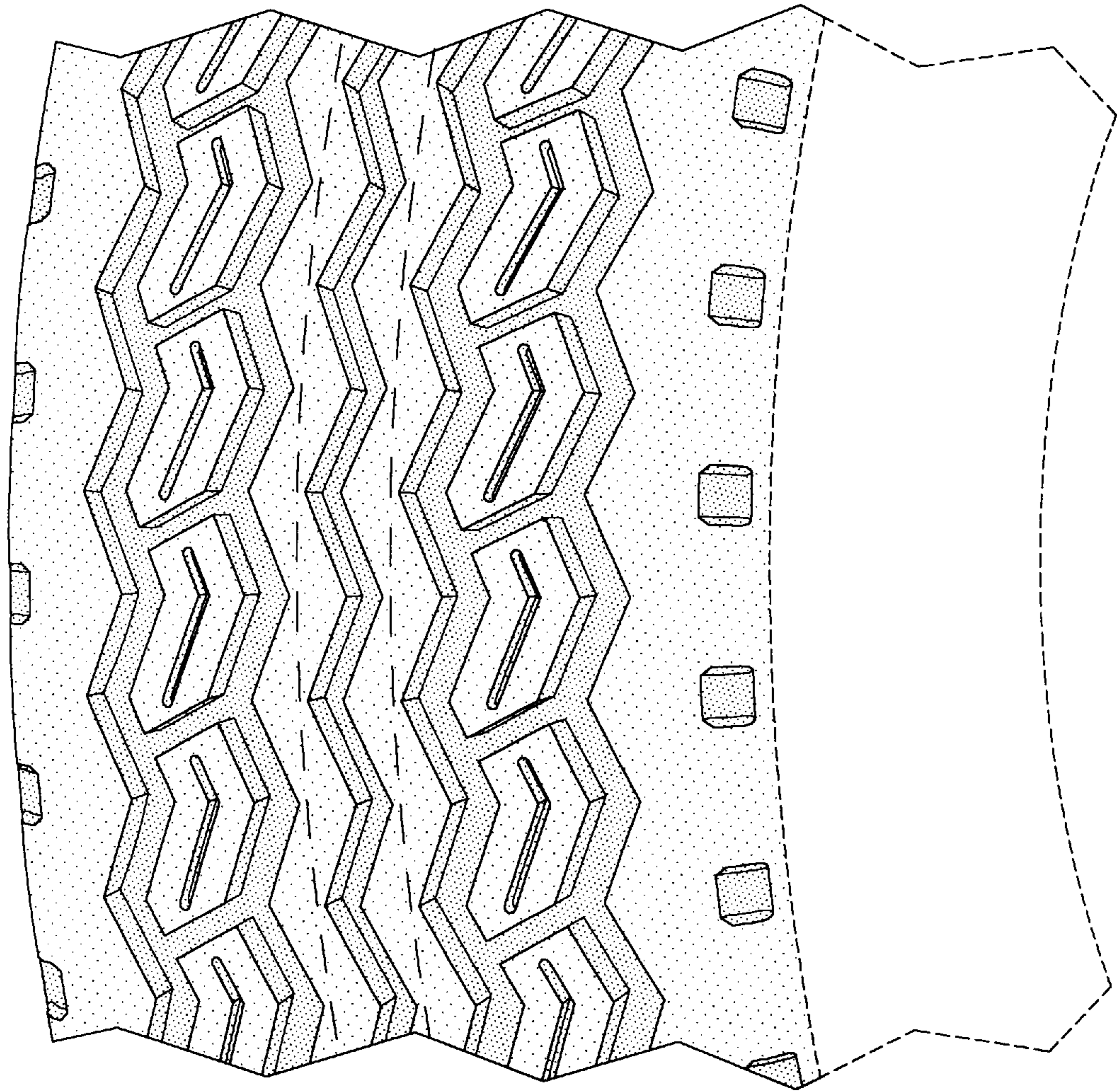


FIG-4