



US00D405734S

United States Patent [19]

Robert et al.

[11] Patent Number: Des. 405,734

[45] Date of Patent: **Feb. 16, 1999

[54] TIRE TREAD

[75] Inventors: Michel Pierre Charles Robert, Sibret; Claude Lardo, Walzing, both of Belgium

[73] Assignee: The Goodyear Tire & Rubber Company, Akron, Ohio

[**] Term: 14 Years

[21] Appl. No.: 79,935

[22] Filed: Nov. 13, 1997

[51] LOC (6) Cl. 12-15

[52] U.S. Cl. D12/147

[58] Field of Search D12/136, 138, D12/140-143, 146-152; 152/209 R, 209 A, 209 D

D. 384,310 9/1997 Szyns D12/147
5,078,190 1/1992 Wissbrock et al. 152/209 R

OTHER PUBLICATIONS

Hercules 425 Metric Tire, 1996 Tread Design Guide, p. 37, Feb. 1996.

Starfire Metric Sport Radial Tire, 1996 Tread Design Guide, p. 69, Feb. 1996.

Nokian NRC Tire, 1996 Tread Design Guide, p. 110, Feb. 1996.

Primary Examiner—Robert M. Spear
Attorney, Agent, or Firm—T. P. Lewandowski

[57] CLAIM

The ornamental design for a tire tread, as shown and described.

DESCRIPTION

FIG. 1 is a perspective view of a tire tread showing our new design, it being understood that the pattern repeats uniformly throughout the circumference of the tread; FIG. 2 is a front elevational view thereof; FIG. 3 is a side elevational view thereof, the opposite side elevational view being identical thereto; and, FIG. 4 is an enlarged fragmentary front perspective view thereof.

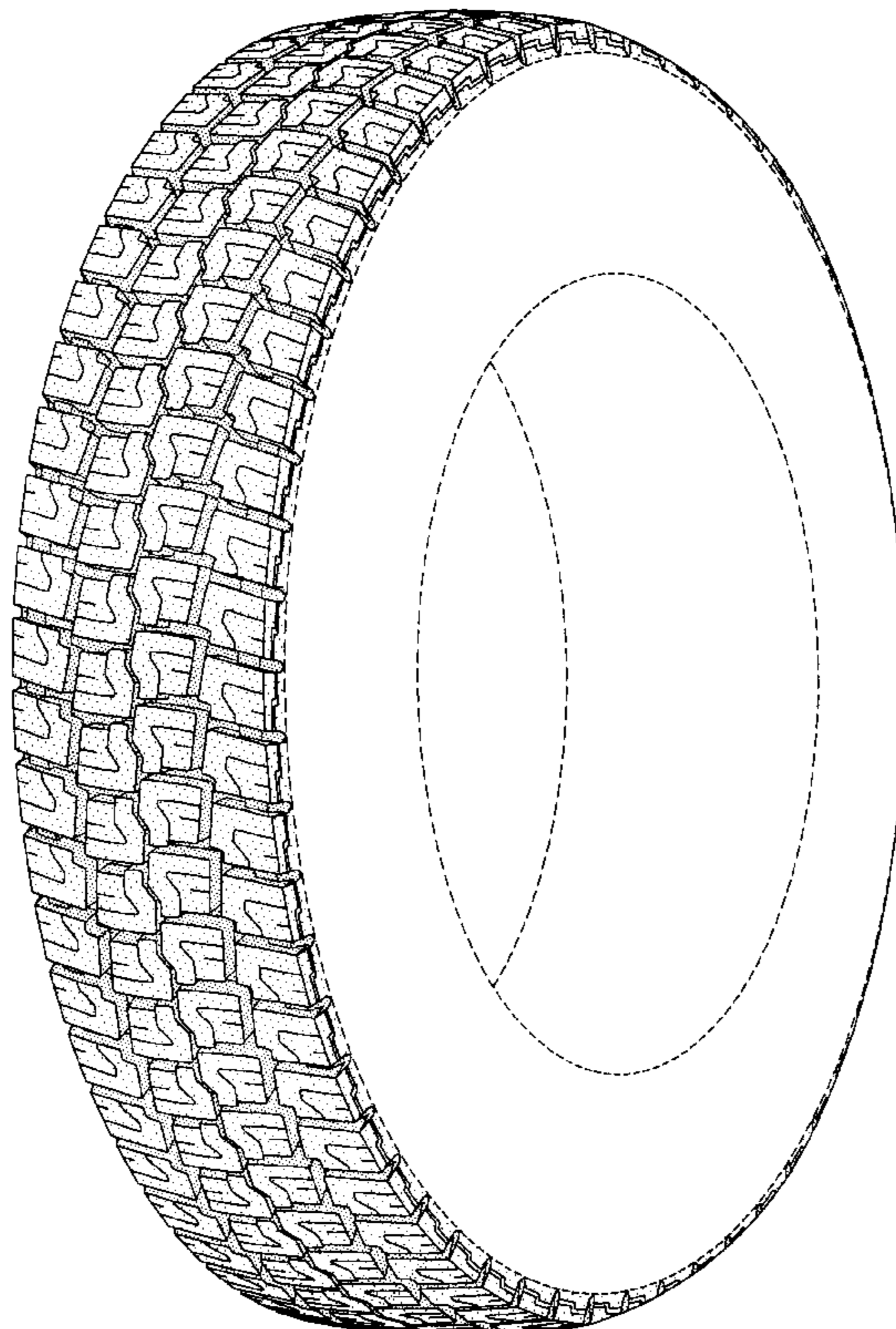
In the drawings, the broken lines defining the inner bead of the sidewall and the peripheral boundary between the tire tread and the sidewall are for illustrative purposes only and form no part of the claimed design.

1 Claim, 4 Drawing Sheets

[56] References Cited

U.S. PATENT DOCUMENTS

D. 244,441	5/1977	Hayakawa et al.	D12/146
D. 261,494	10/1981	Suzuki et al.	D12/146
D. 267,400	12/1982	Amarger	D12/147
D. 278,423	4/1985	Baus	D12/147
D. 294,926	3/1988	Nishio et al.	D12/147
D. 296,315	6/1988	Hayakawa et al.	D12/142
D. 337,977	8/1993	Shinohara et al.	D12/147
D. 337,978	8/1993	Himuro et al.	D12/147
D. 365,791	1/1996	Brown et al.	D12/146
D. 379,445	5/1997	Rohweder et al.	D12/147
D. 380,424	7/1997	Brown et al.	D12/146



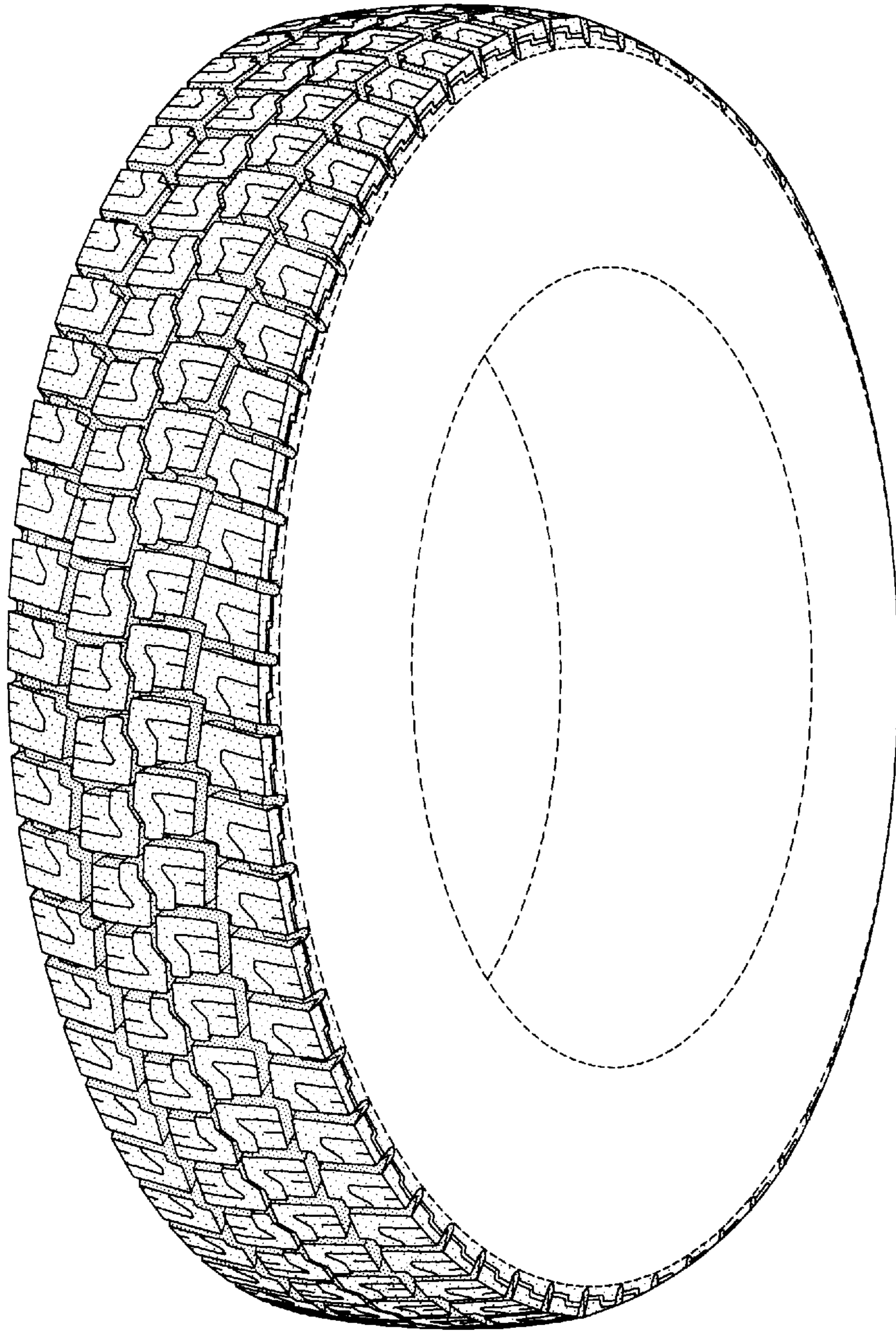


FIG-1

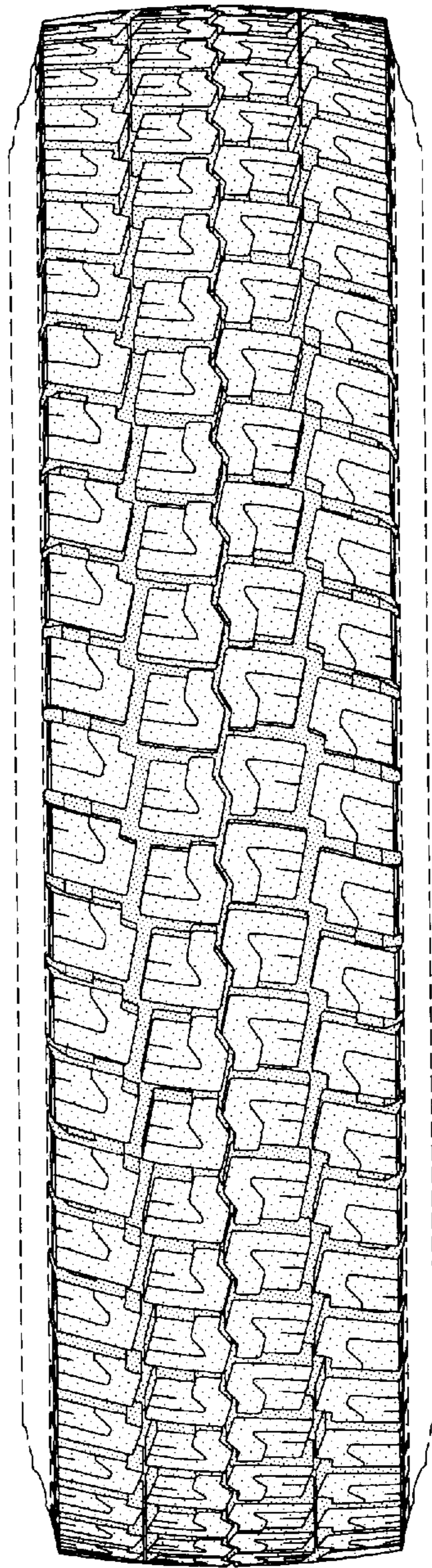


FIG-2

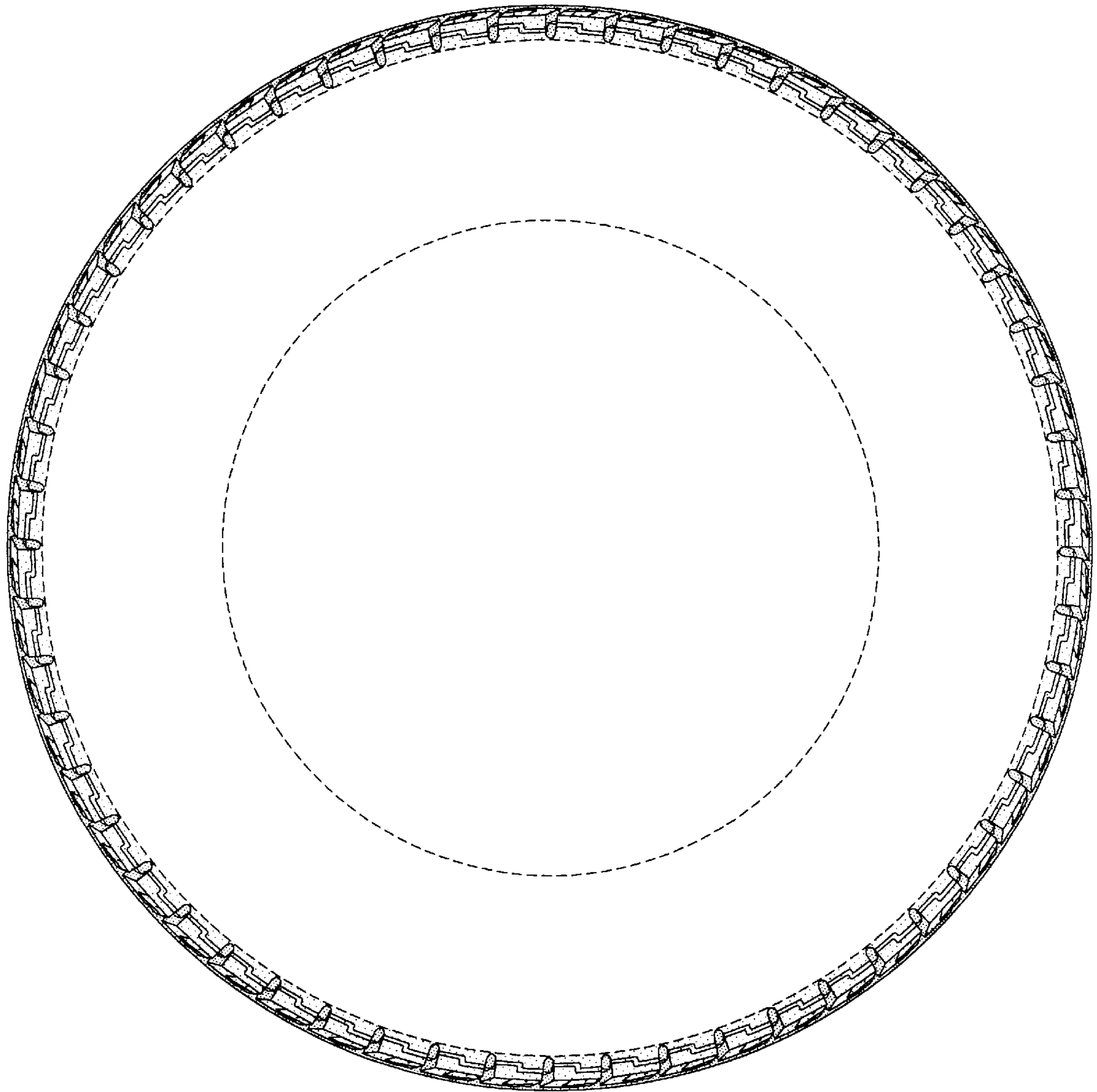


FIG-3

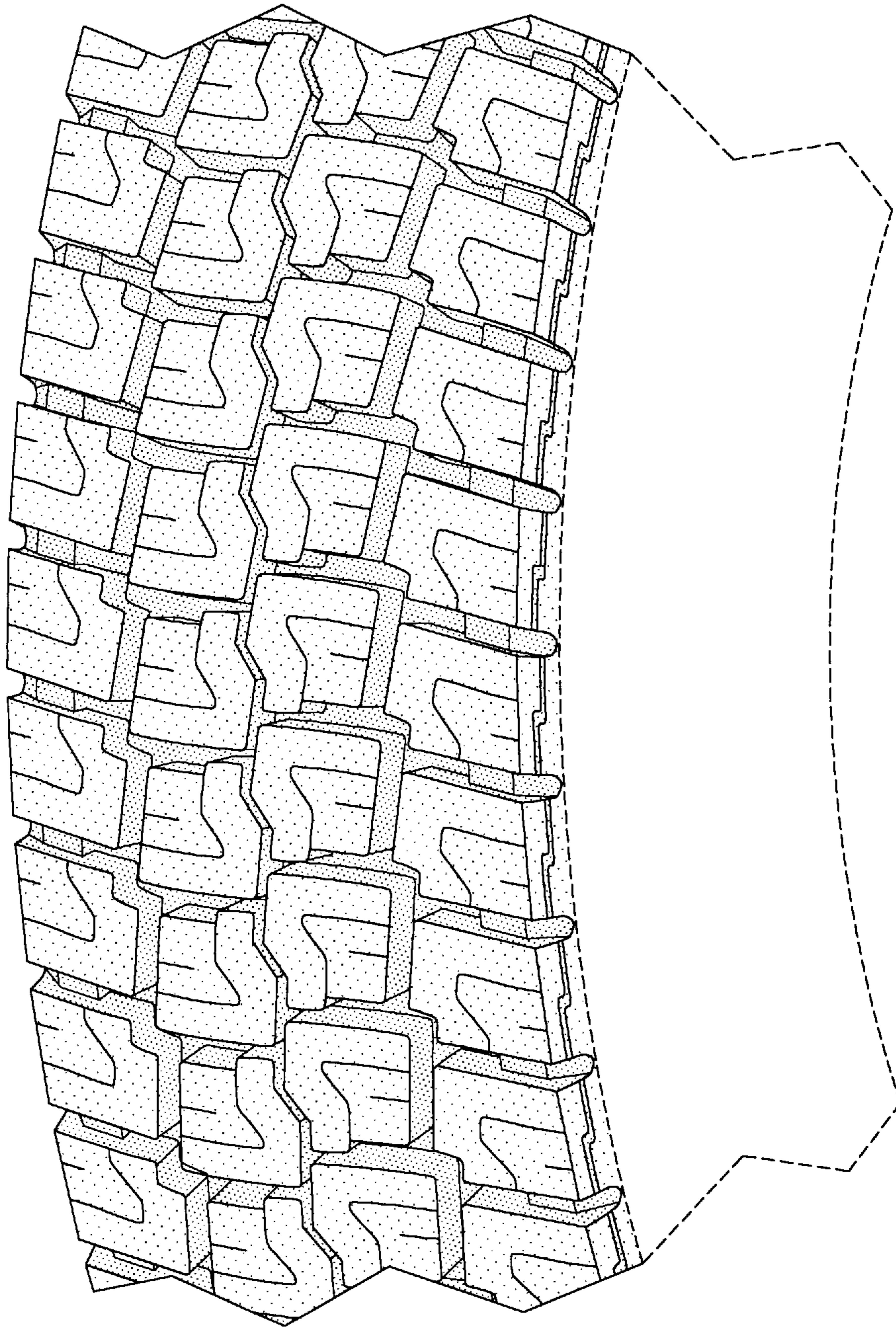


FIG-4