



US00D405719S

United States Patent [19] Marsh

[11] **Patent Number: Des. 405,719**

[45] **Date of Patent: **Feb. 16, 1999**

[54] **PRESENTATION AWARD**

[75] Inventor: **James W. Marsh**, Statesville, N.C.

[73] Assignee: **The Tharpe Company, Inc.**,
Statesville, N.C.

[**] Term: **14 Years**

[21] Appl. No.: **79,302**

[22] Filed: **Nov. 12, 1997**

[51] **LOC (6) Cl.** **11-02**

[52] **U.S. Cl.** **D11/132**

[58] **Field of Search** **D11/132; D6/300;**
428/913.3; 40/700, 725, 733

[56] **References Cited**

U.S. PATENT DOCUMENTS

D. 278,666	5/1985	McCartin	D6/300
D. 354,455	1/1995	Hosker	D11/132
D. 359,255	6/1995	Williams	D11/132
D. 374,840	10/1996	Levy et al.	D11/132

Primary Examiner—Dominic Simone
Attorney, Agent, or Firm—Kennedy Covington Lobdell &
Hickman, LLP

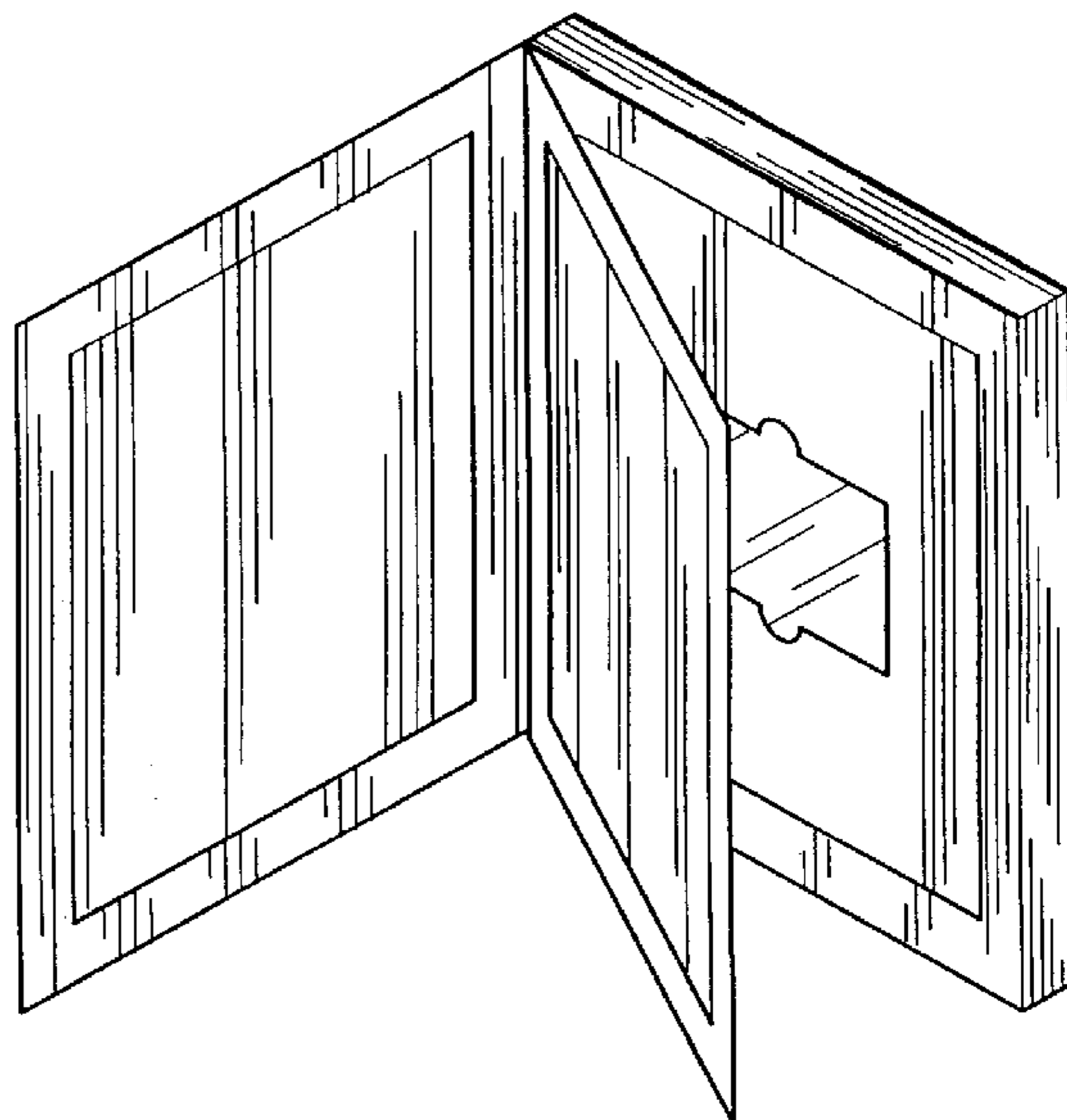
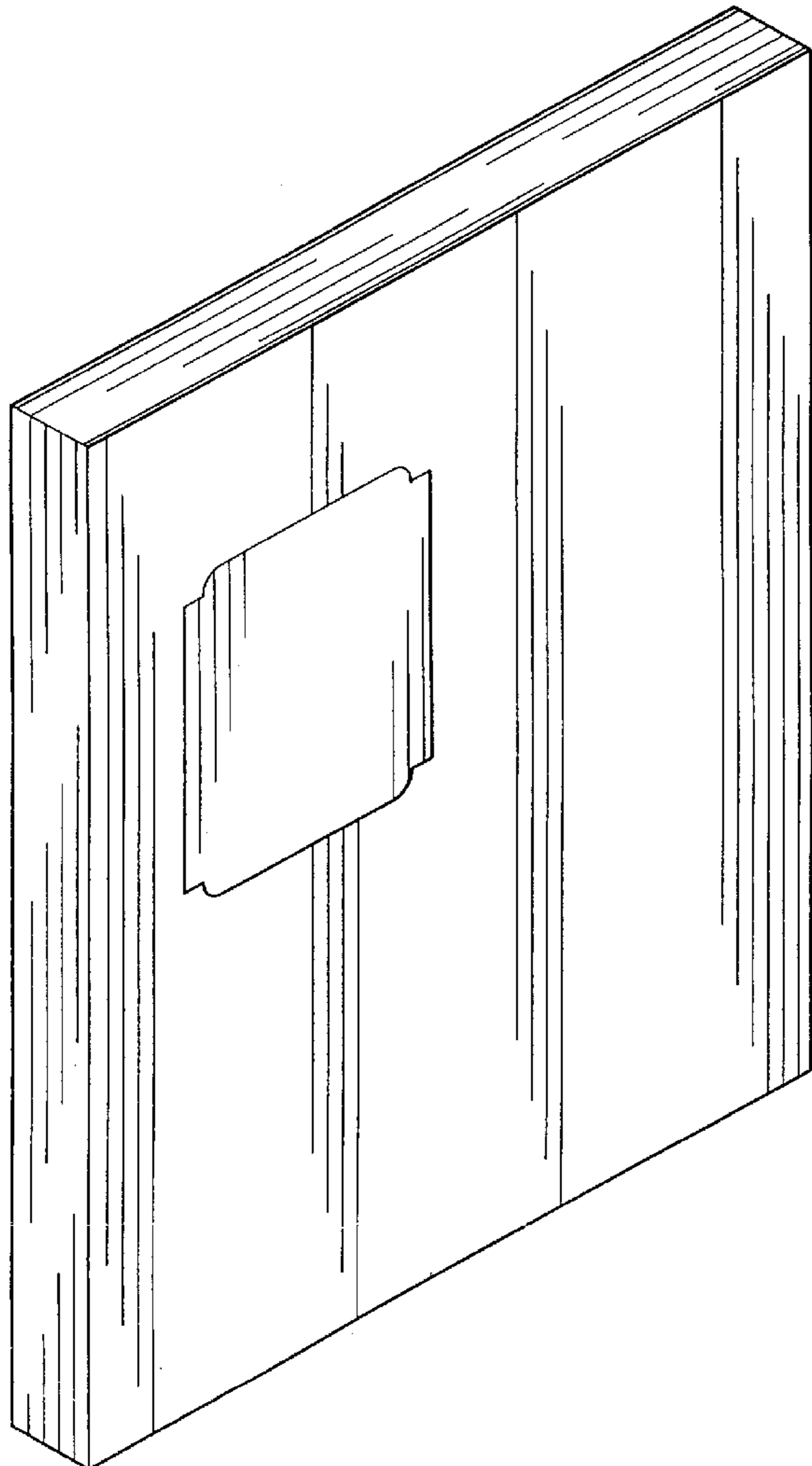
[57] **CLAIM**

The ornamental design for a presentation award, as shown and described.

DESCRIPTION

FIG. 1 is a front perspective view of a presentation award, showing my new design in closed condition;
FIG. 2 is another front perspective view thereof in open condition;
FIG. 3 is another front perspective view thereof also in open condition;
FIG. 4 is a front elevational view thereof;
FIG. 5 is a rear elevational view thereof;
FIG. 6 is a top plan view thereof;
FIG. 7 is a bottom plan view thereof;
FIG. 8 is a right side elevational view thereof; and,
FIG. 9 is a left side elevational view thereof.

1 Claim, 4 Drawing Sheets



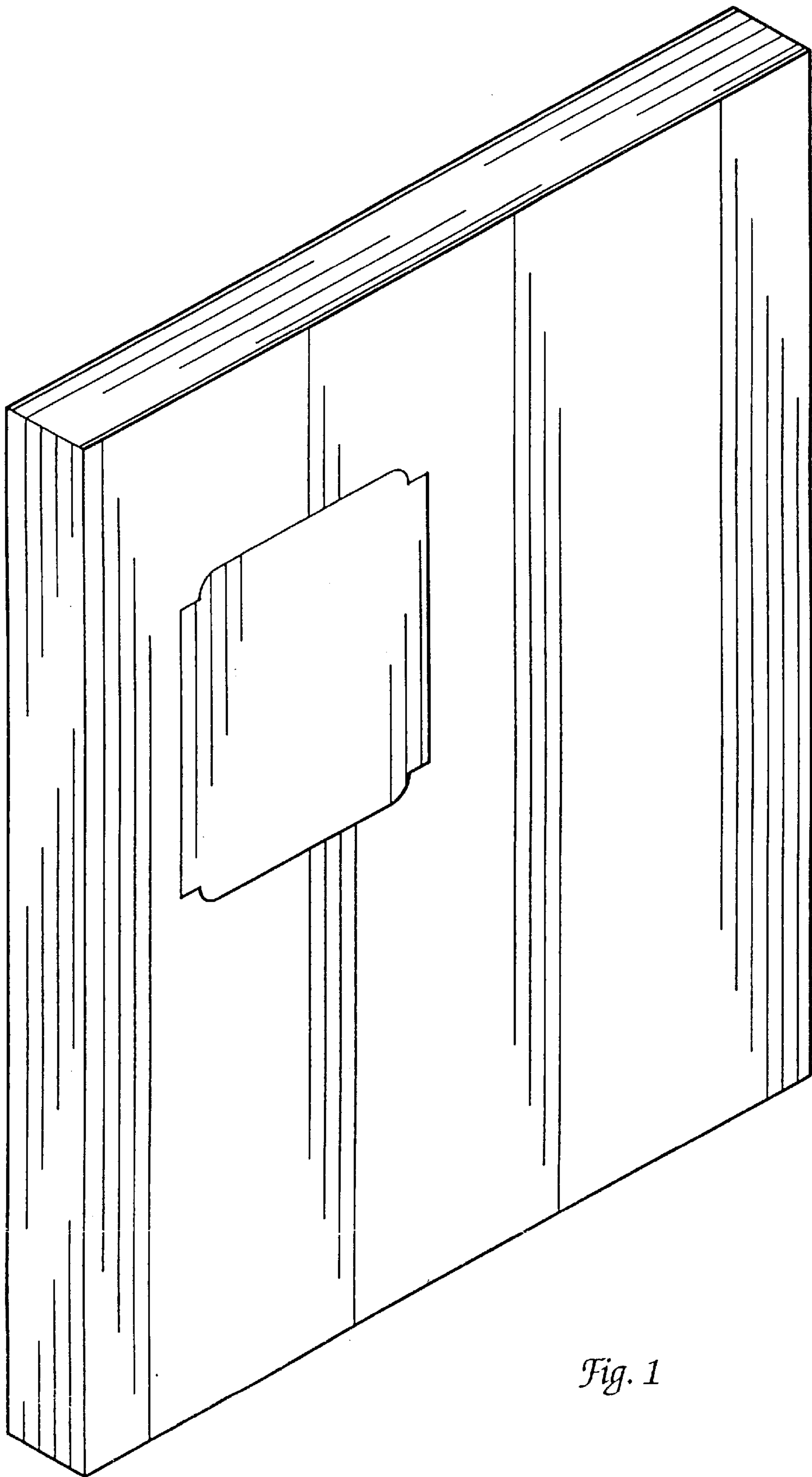


Fig. 1

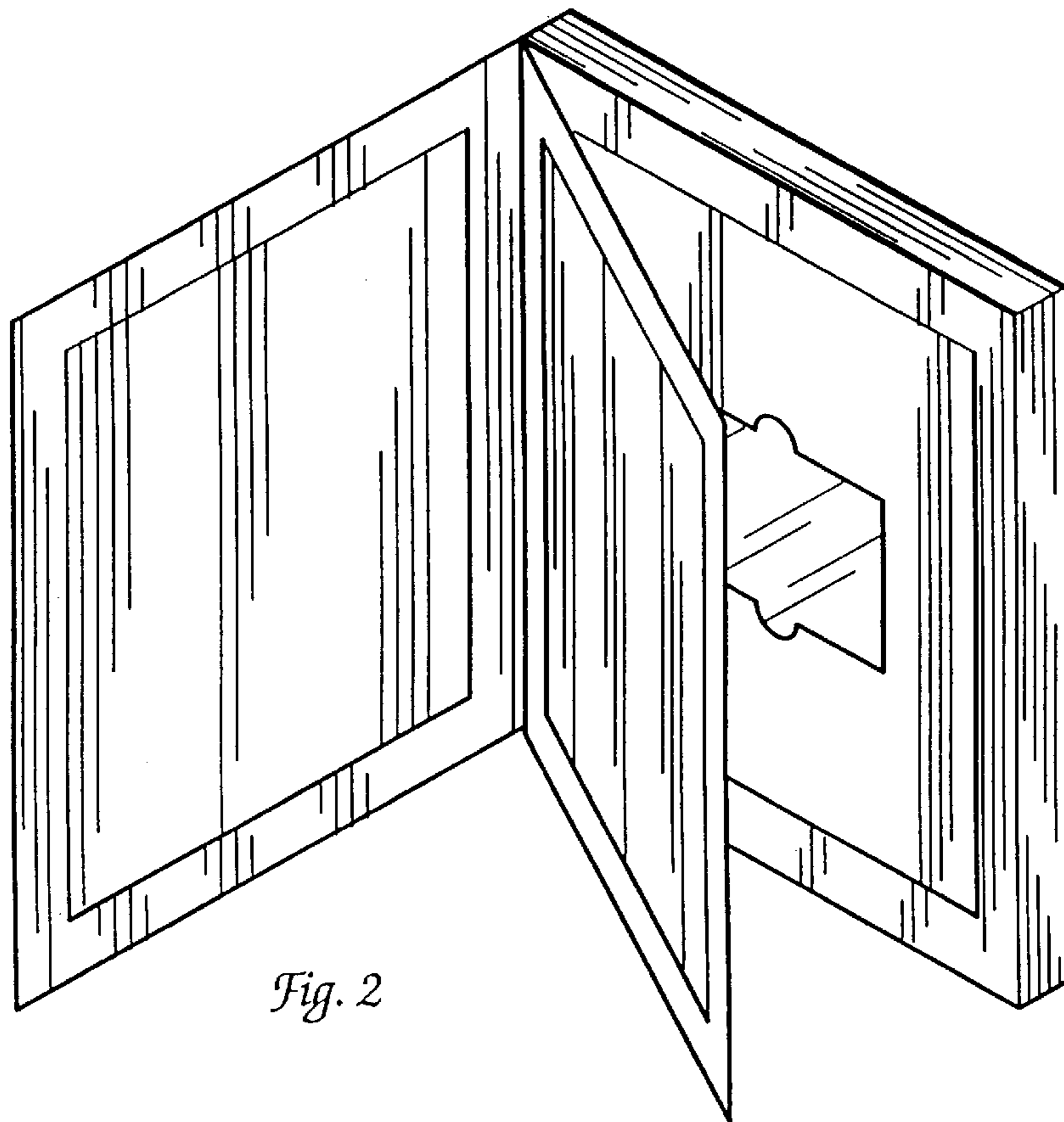


Fig. 2

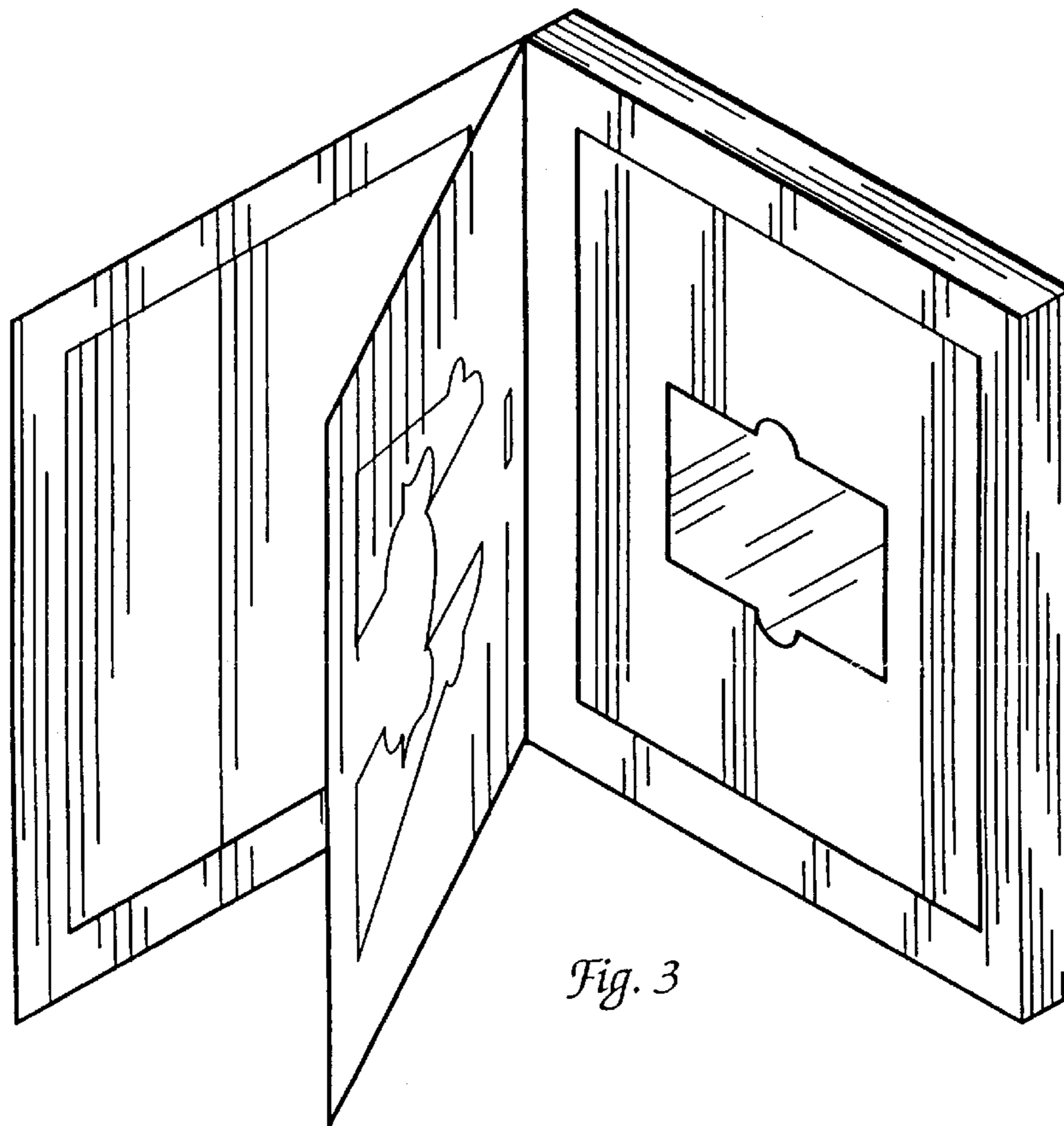


Fig. 3

Fig. 6

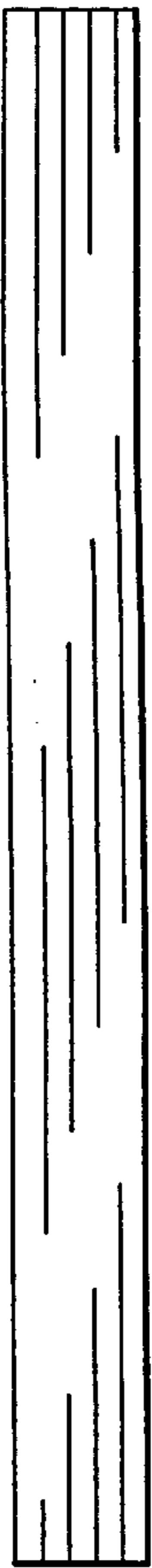
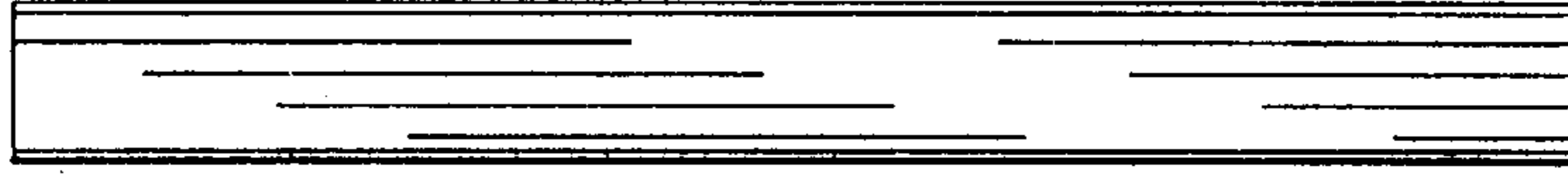


Fig. 9

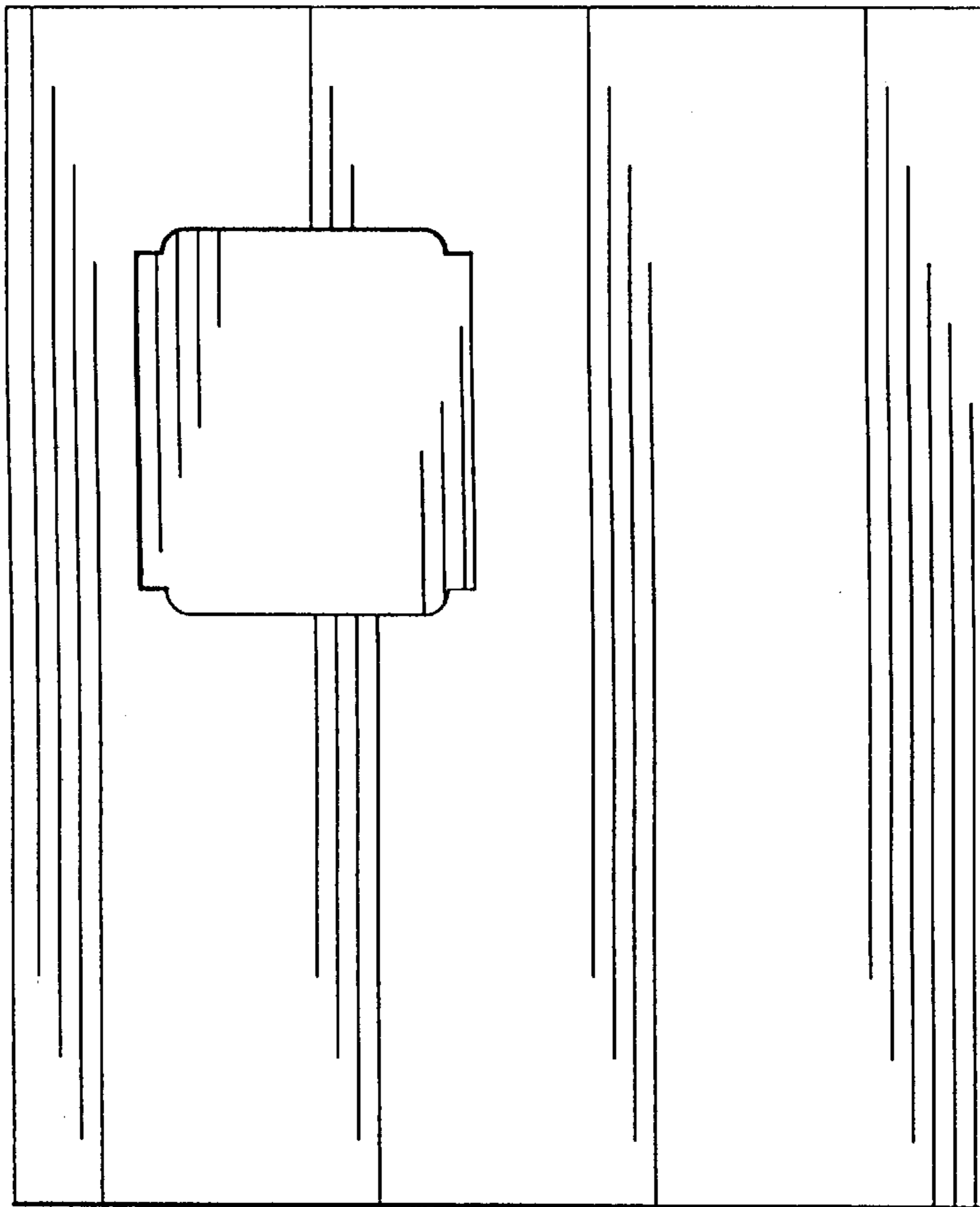


Fig. 4

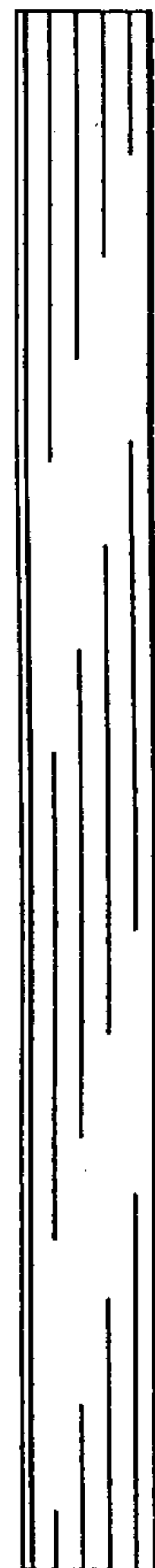


Fig. 8

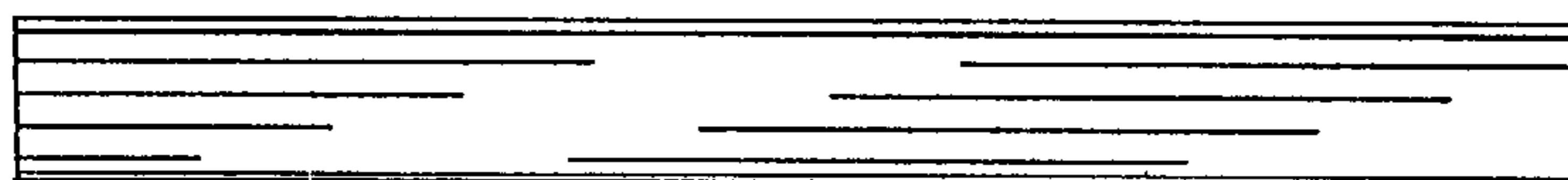


Fig. 7

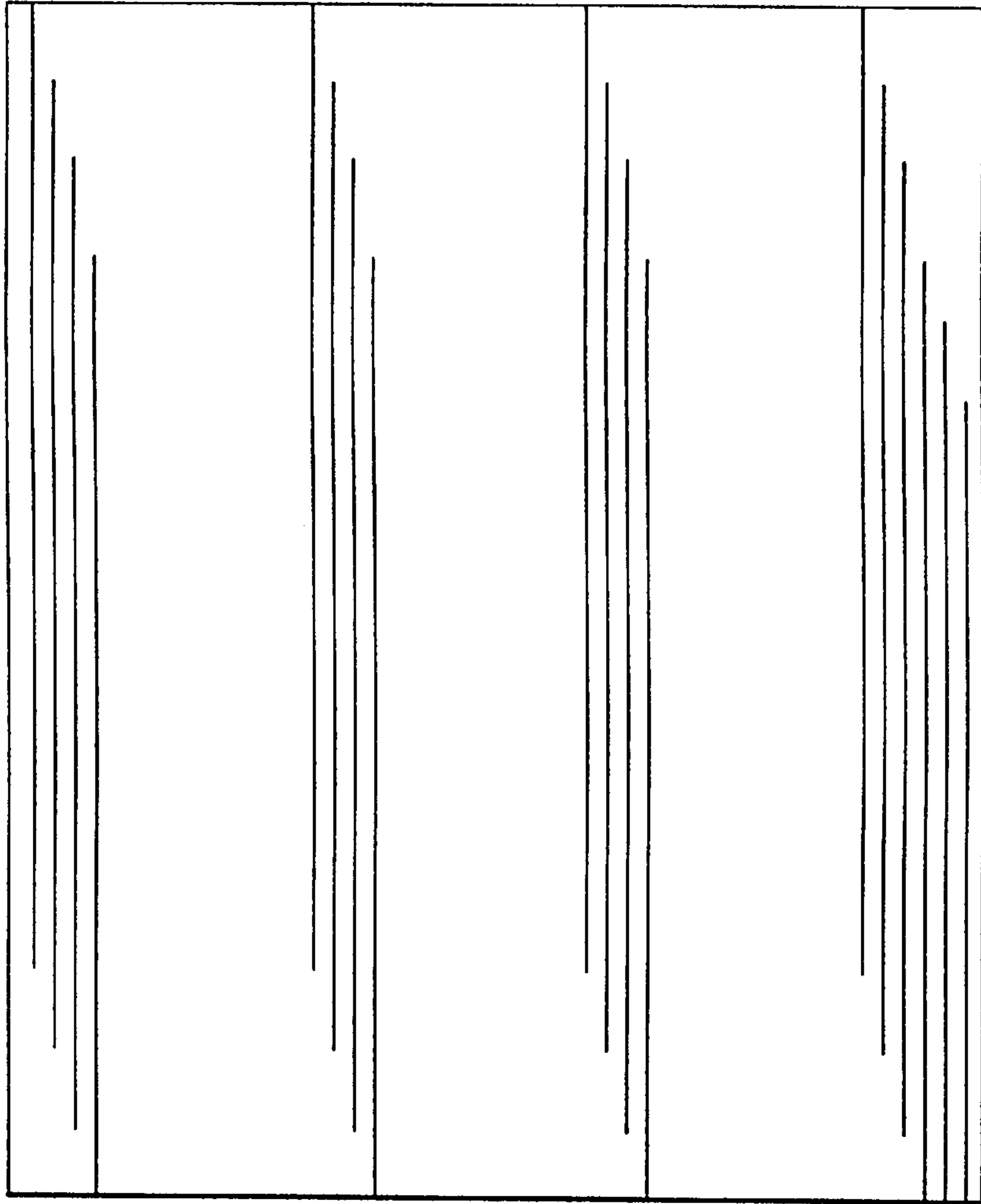


Fig. 5