

US00D405708S

United States Patent [19] Liu

[11] **Patent Number: Des. 405,708**

[45] **Date of Patent: **Feb. 16, 1999**

[54] **WARNING STAND**

D. 395,334 6/1998 Eberle et al. D10/109

[76] Inventor: **Ching-Rong Liu**, No. 10, Sung-Chiang N. Road, Chung-Li City, Taiwan

Primary Examiner—Marcus A. Jackson
Attorney, Agent, or Firm—Bacon & Thomas, PLLC

[**] Term: **14 Years**

[57] **CLAIM**

[21] Appl. No.: **88,980**

The ornamental design for a warning stand, as shown and described.

[22] Filed: **Jun. 4, 1998**

DESCRIPTION

[51] **LOC (6) Cl.** **10-05**

[52] **U.S. Cl.** **D10/109; D20/10**

[58] **Field of Search** D20/10, 11, 42;
D10/109, 113; 116/63 P, 63 C; 40/584,
585, 606, 607, 610

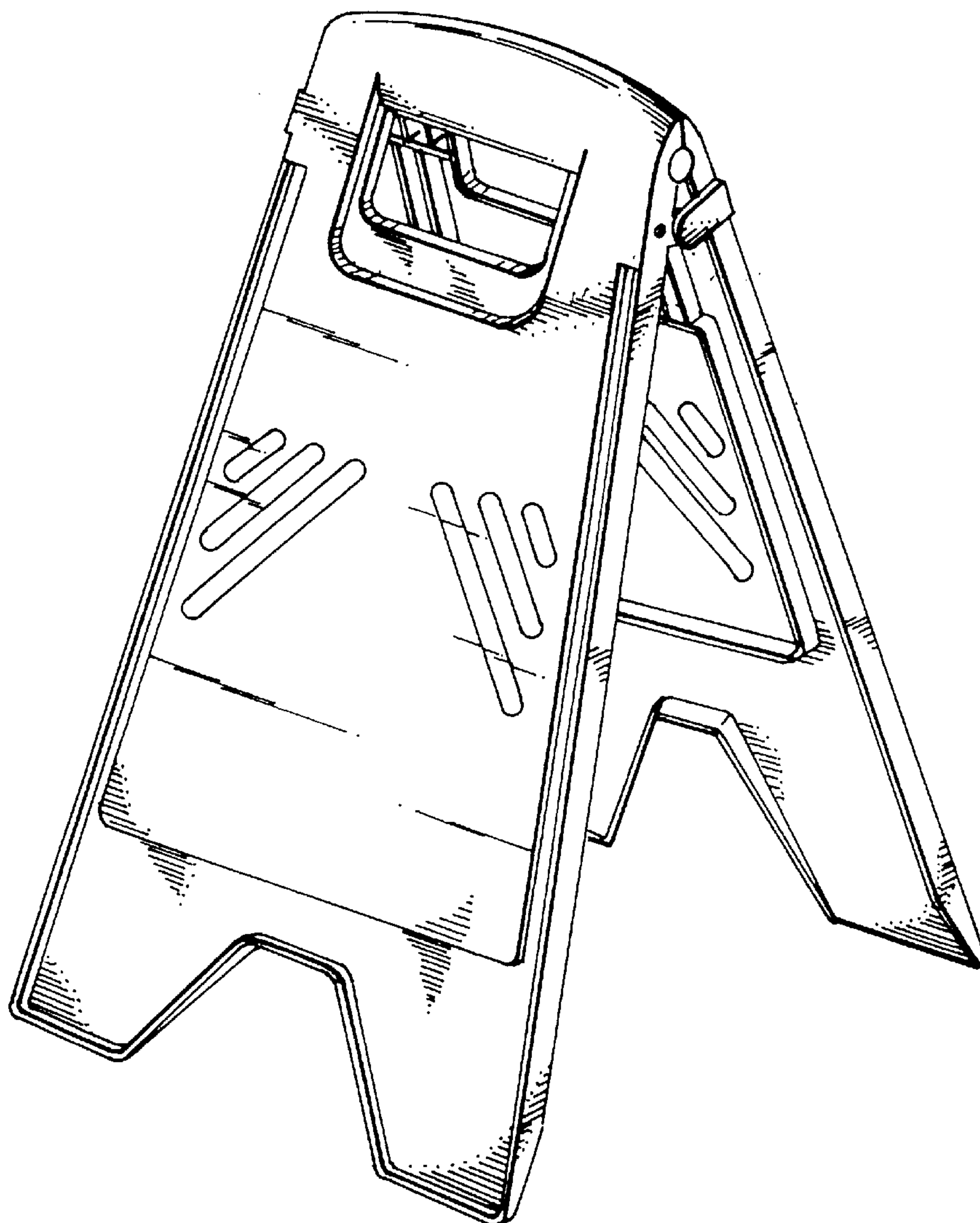
FIG. 1. is a top, front right side perspective view thereof;
FIG. 2. is a front elevational view thereof;
FIG. 3. is a rear elevational view thereof;
FIG. 4. is a left plan view thereof;
FIG. 5. is a right plan view thereof;
FIG. 6. is a top plan view thereof;
FIG. 7. is a bottom plan view thereof; and,
FIG. 8. is a perspective view thereof, with the claimed design shown in closed condition.

[56] **References Cited**

U.S. PATENT DOCUMENTS

- D. 257,720 12/1980 Rockman D10/109
- D. 328,615 8/1992 Taylor D10/109

1 Claim, 5 Drawing Sheets



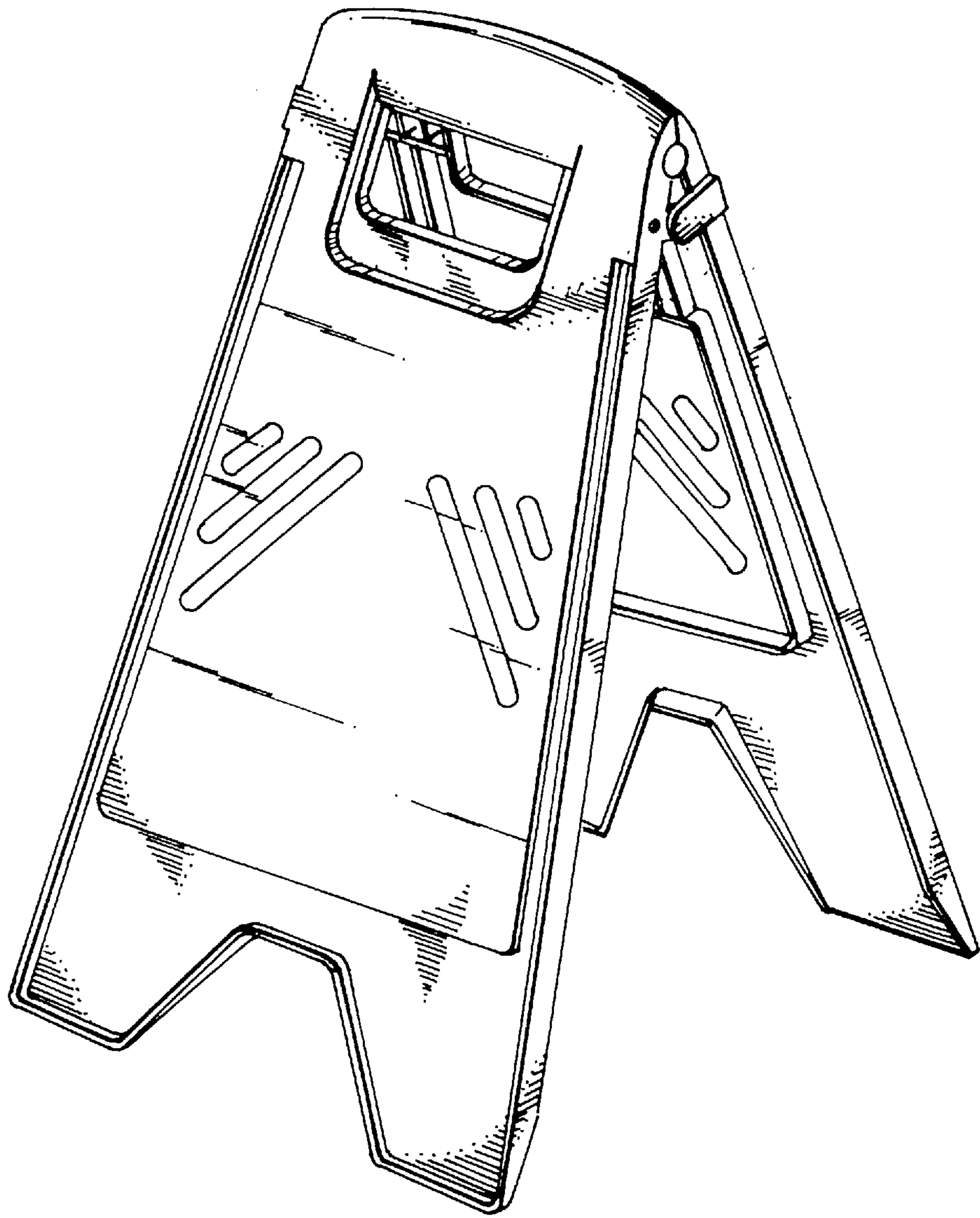


Fig. 1

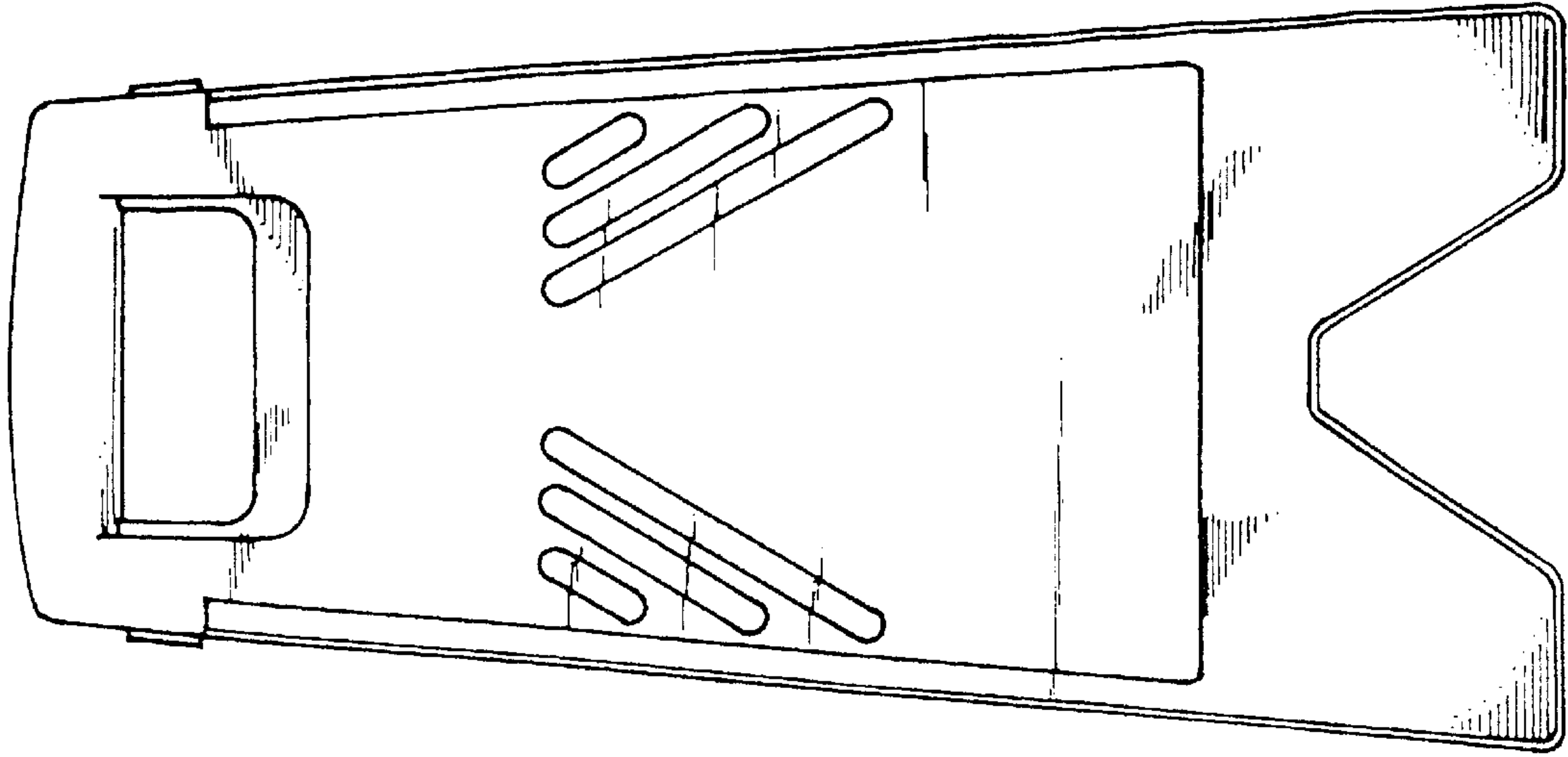


Fig. 2

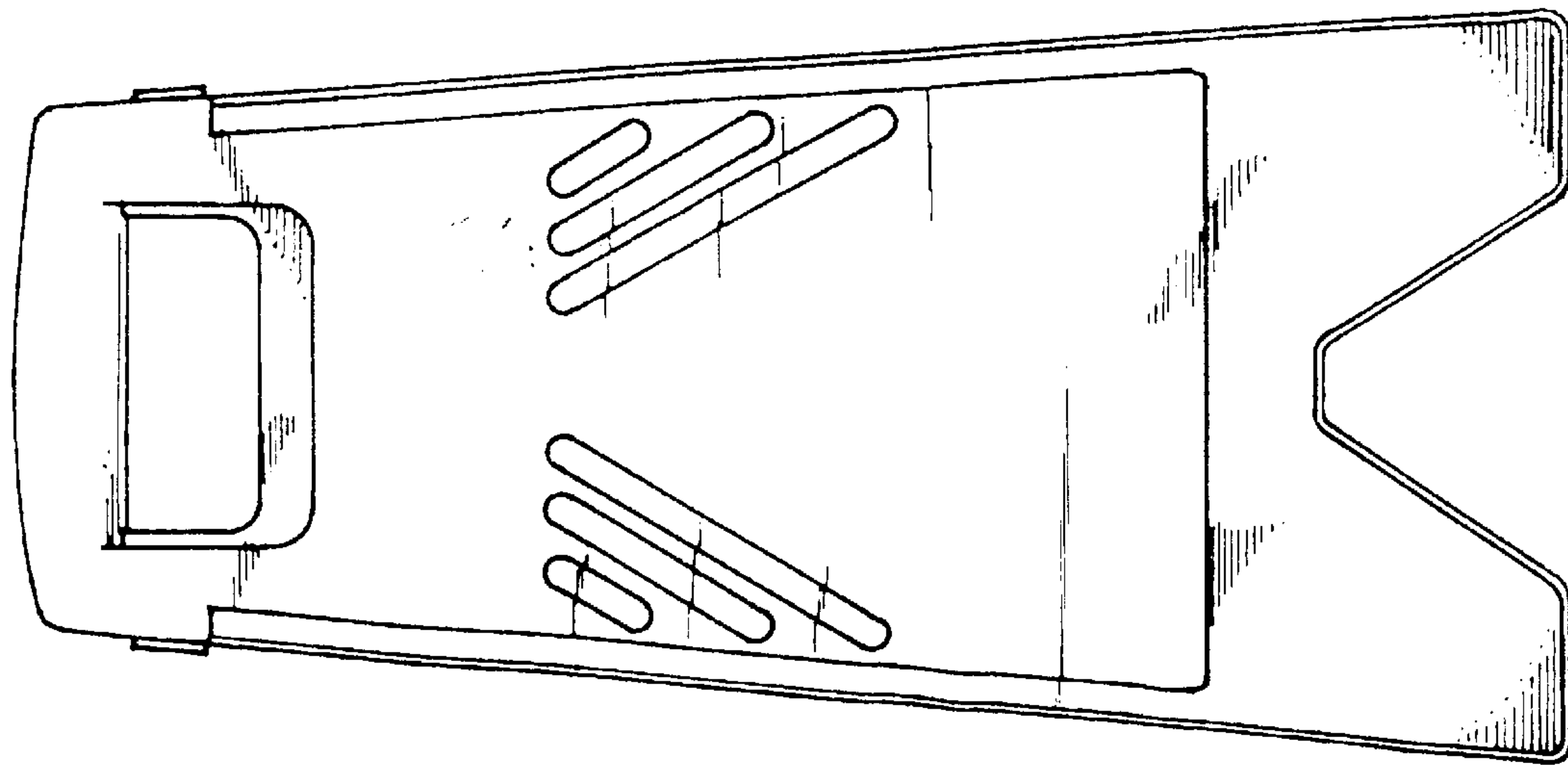


Fig. 3

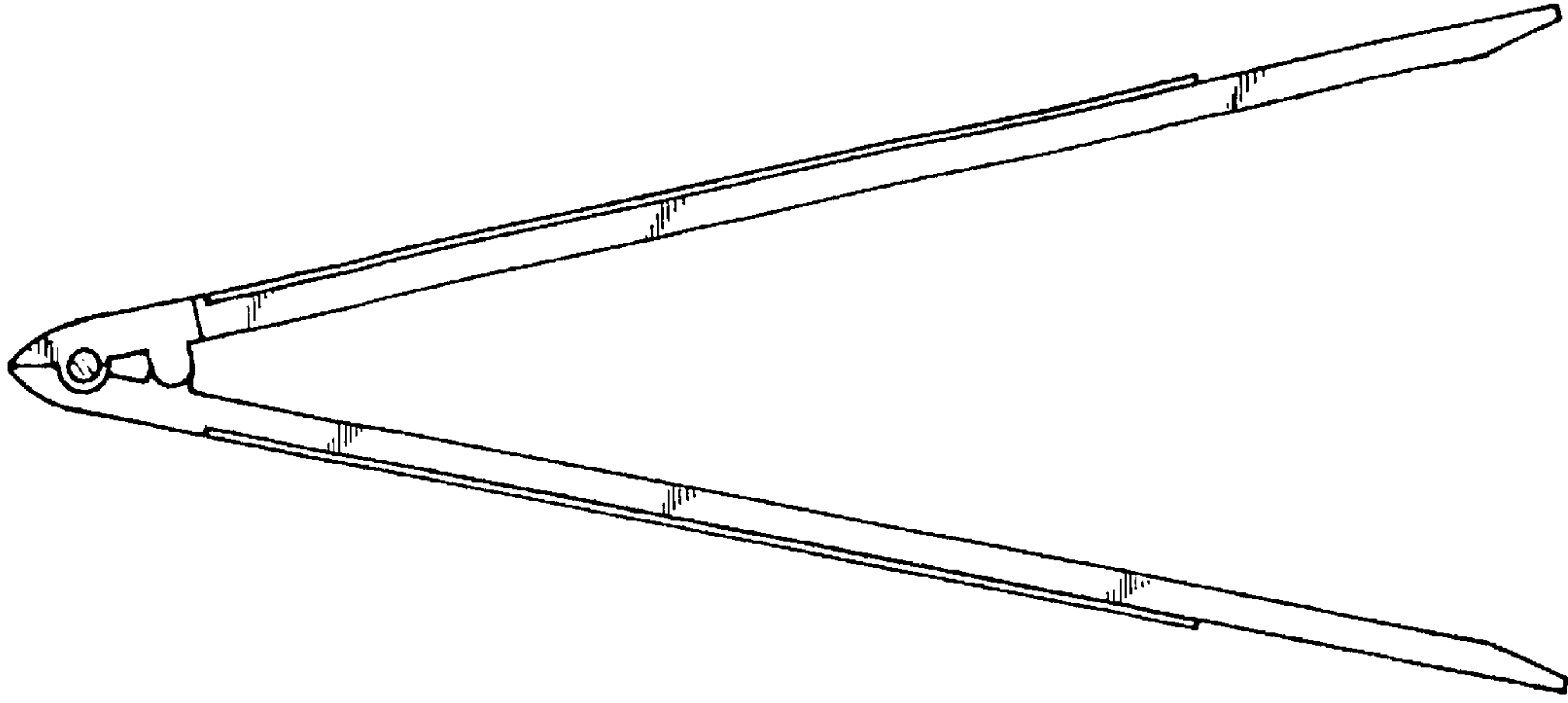


Fig. 5

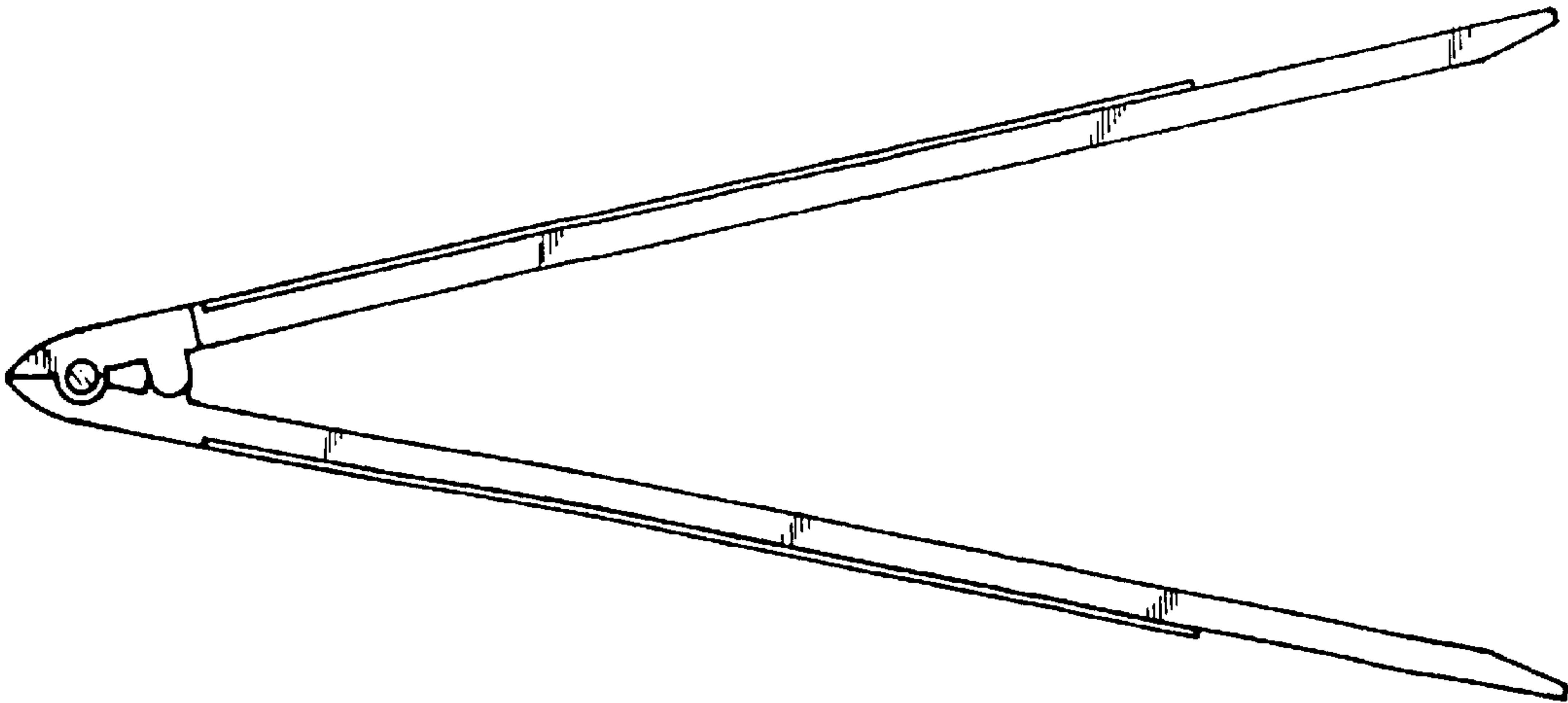


Fig. 4

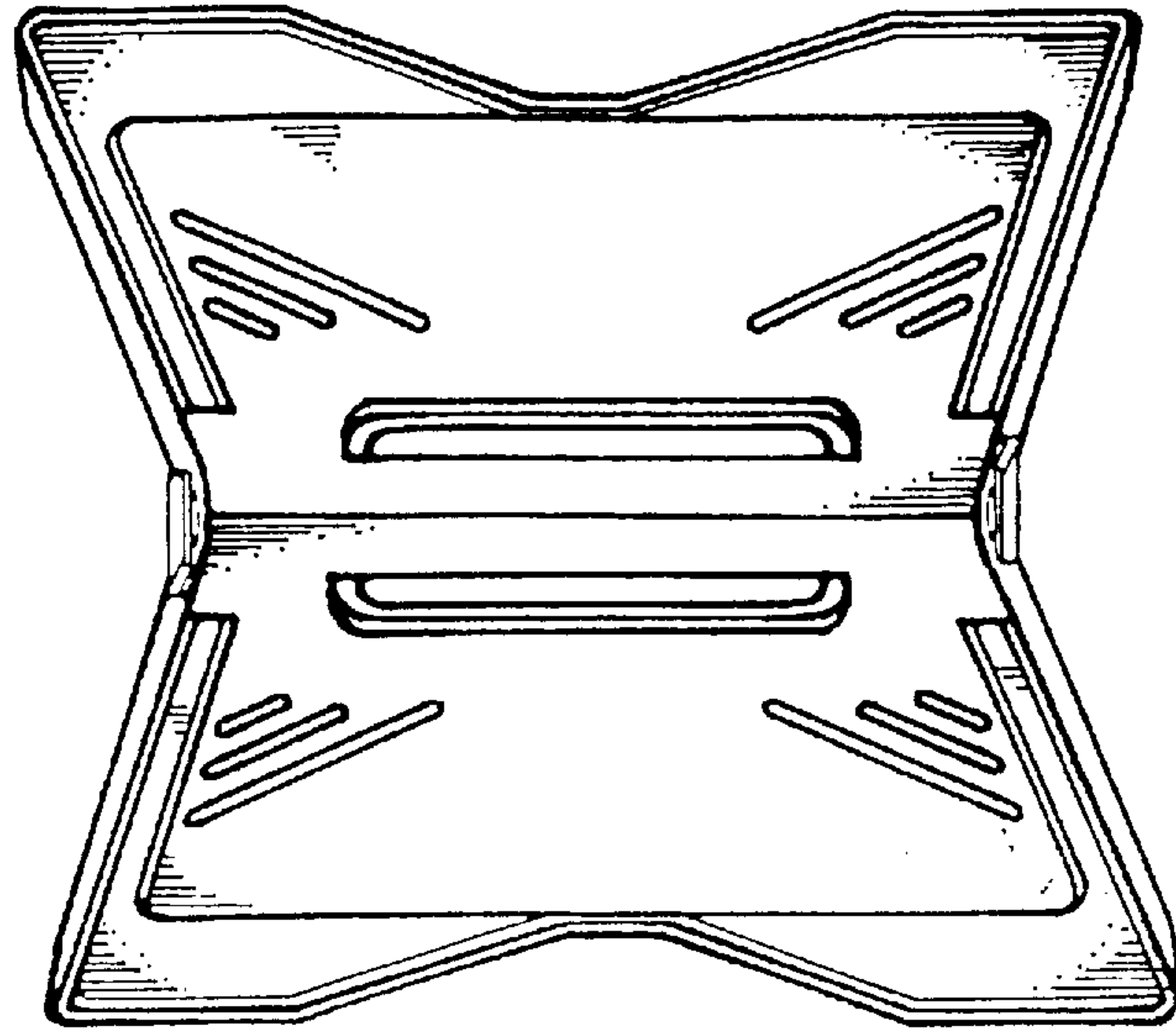


Fig. 6

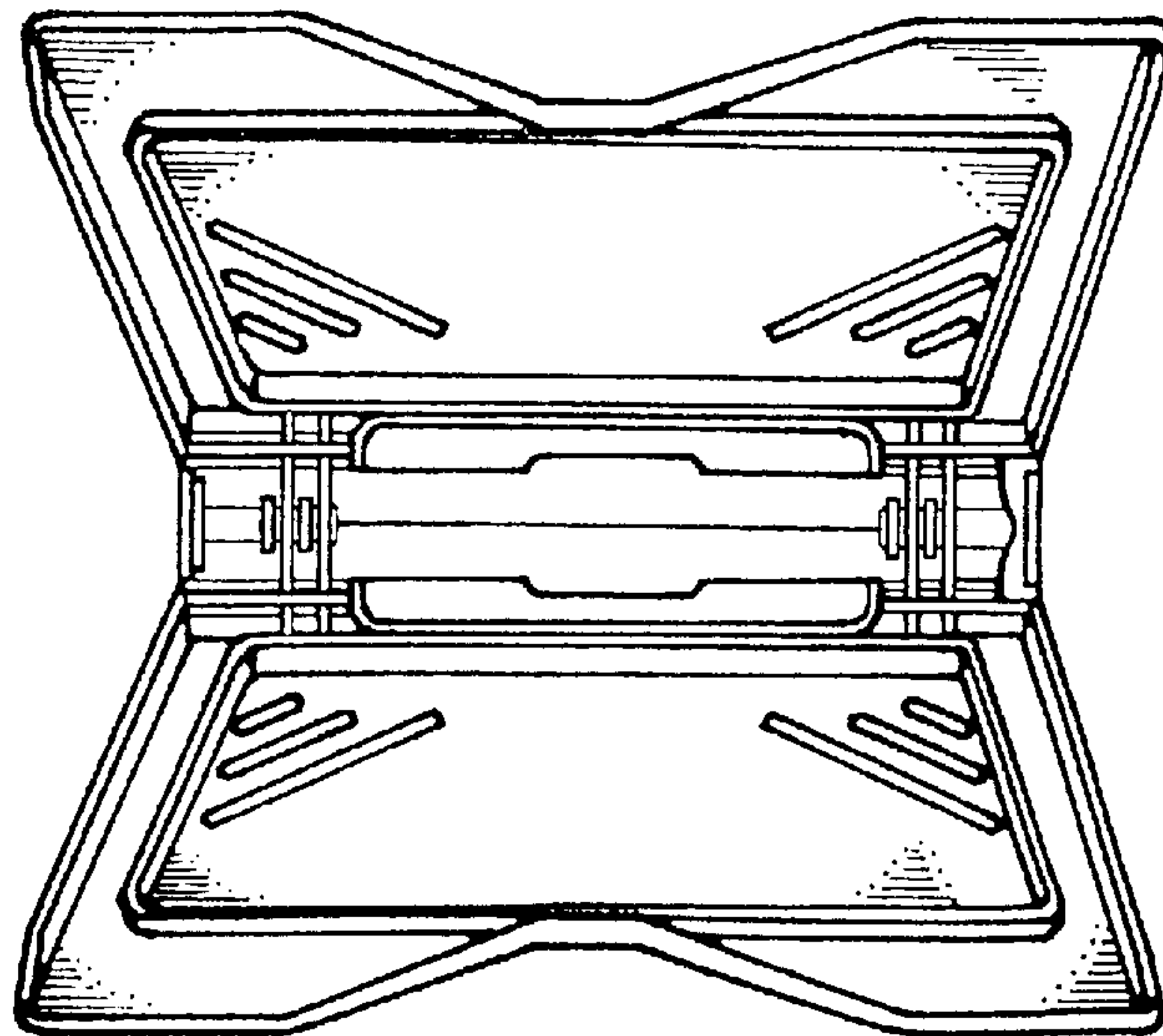


Fig. 7

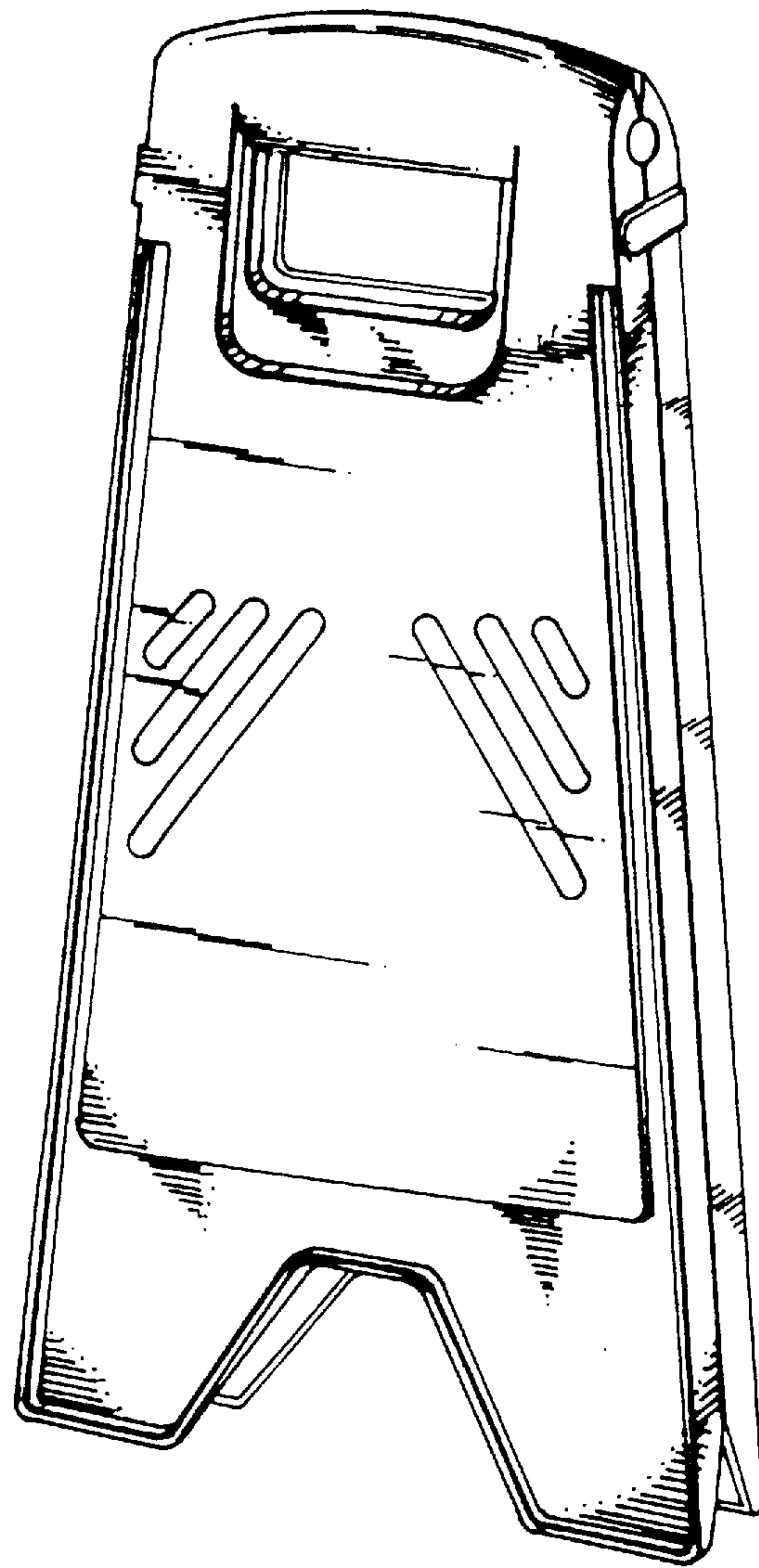


Fig. 8