

US00D405705S

# United States Patent [19]

Norcross

[11] **Patent Number: Des. 405,705**

[45] **Date of Patent: \*\*Feb. 16, 1999**

[54] **INDICATOR DEVICE AND UTENSIL FOR COOKING MEAT**

[76] Inventor: **Charles E. Norcross**, 1448 Mediterranean Dr., Lake Clark, Fla. 33406

[\*\*] Term: **14 Years**

[21] Appl. No.: **90,220**

[22] Filed: **Jul. 2, 1998**

### Related U.S. Application Data

[63] Continuation of Ser. No. 14,221, Jan. 27, 1998.

[51] **LOC (6) Cl. .... 10-04**

[52] **U.S. Cl. .... D10/57**

[58] **Field of Search ..... D10/57; 374/141**

### [56] References Cited

#### U.S. PATENT DOCUMENTS

|           |         |             |       |         |
|-----------|---------|-------------|-------|---------|
| 856,768   | 6/1907  | Comins      | ..... | 374/141 |
| 5,575,563 | 11/1996 | Chiu et al. | ..... | 374/141 |

*Primary Examiner*—Antoine Duval Davis  
*Attorney, Agent, or Firm*—Quarles & Brady LLP

### [57] CLAIM

The ornamental design for an indicator device and utensil for cooking meat, as shown and described.

### DESCRIPTION

FIG. 1 shows a perspective view of an indicator device and utensil for cooking meat according to my design;

FIG. 2 shows a top plan view thereof;

FIG. 3 shows a side view thereof. The opposite side is an identical, but mirror image thereof;

FIG. 4 shows a bottom plan view thereof;

FIG. 5 shows an end view thereof, as viewed from the handle end;

FIG. 6 shows an end view thereof, as viewed from the forked end;

FIG. 7 shows a top plan view of an embodiment of the indicator utensil handle illustrating a digital display window;

FIG. 8 shows a top view of a second embodiment of the indicator utensil handle illustrating a graduated display;

FIG. 9 shows a top plan view of a third embodiment of the indicator utensil handle illustrating a substantially circular analog (dial) display;

FIG. 10 shows a top plan view of a fourth embodiment of the indicator utensil handle illustrating a substantially rectangular analog (dial) display;

FIG. 11 shows the digital display of FIG. 7;

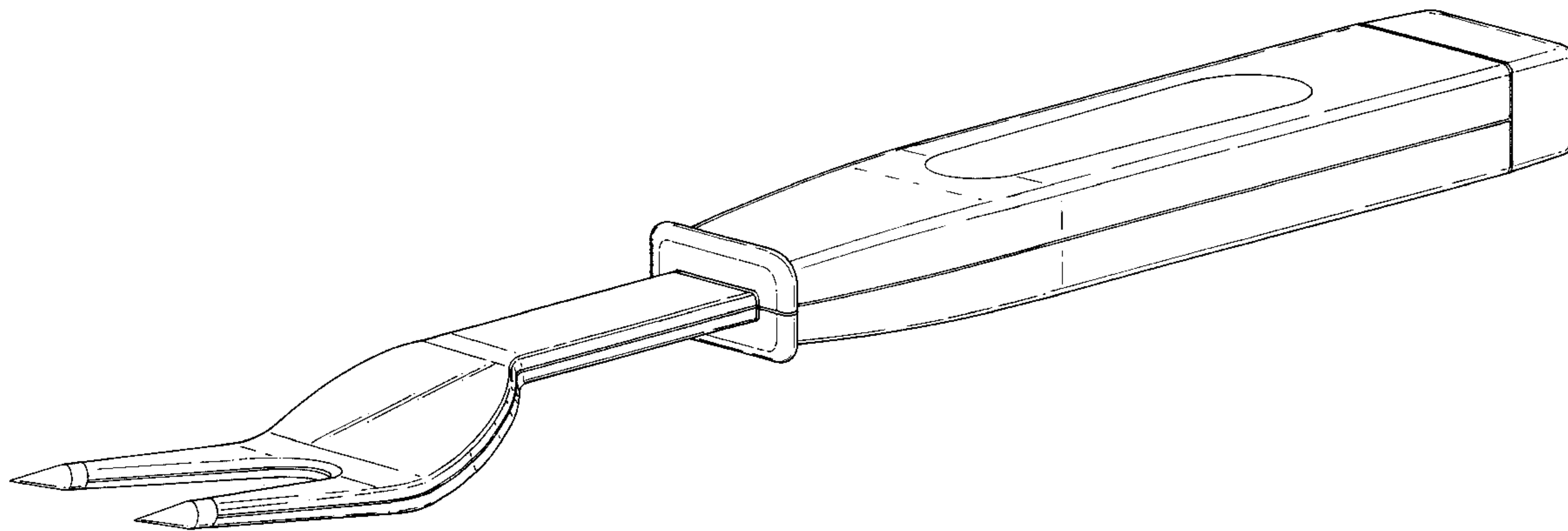
FIG. 12 shows the graduated display of FIG. 8;

FIG. 13 shows the substantially circular display of FIG. 9; and,

FIG. 14 shows the substantially rectangular display of FIG. 10.

The dotted lines indicate components for illustrative purposes only and form no part of the subject design.

**1 Claim, 4 Drawing Sheets**



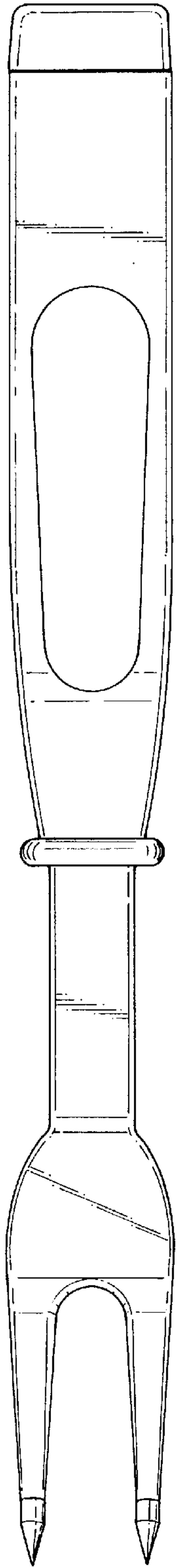


FIG. 2

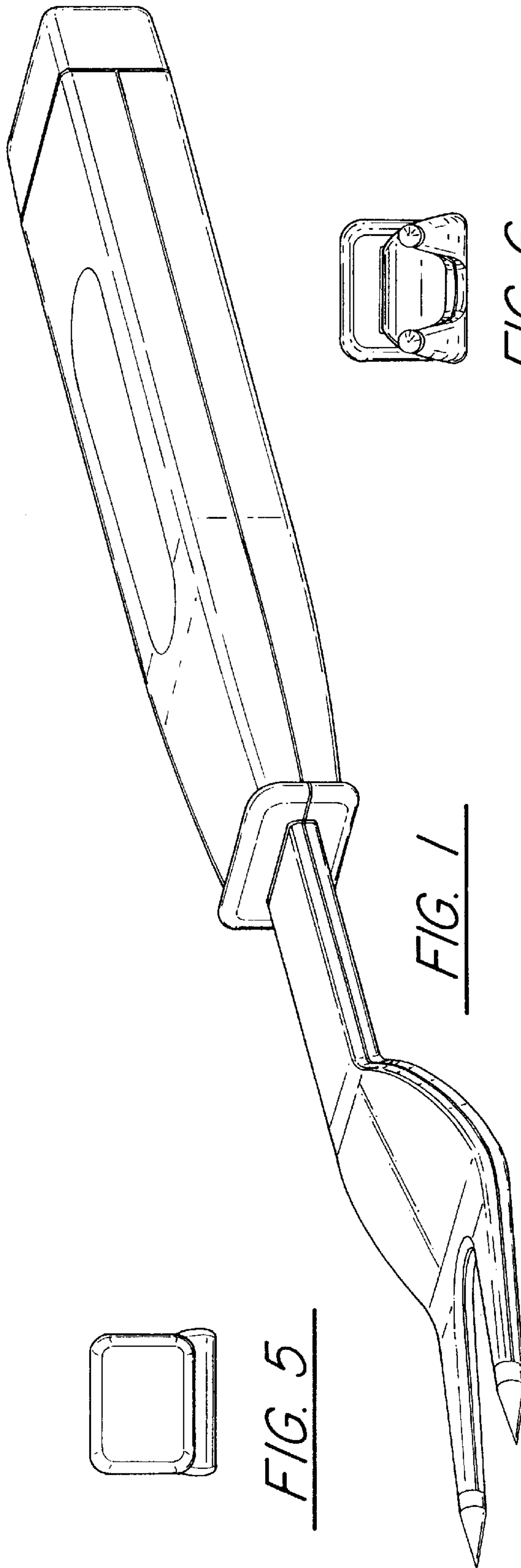


FIG. 1

FIG. 5

FIG. 6

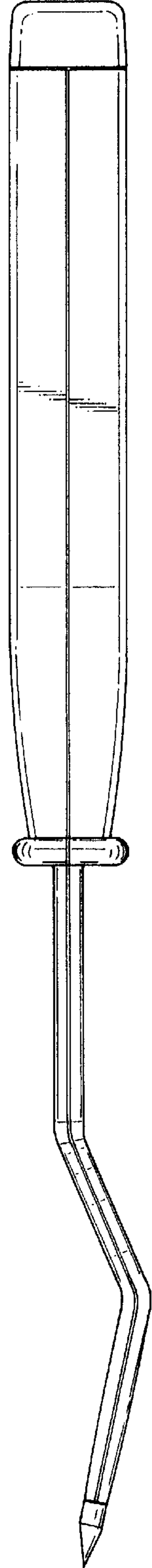


FIG. 3

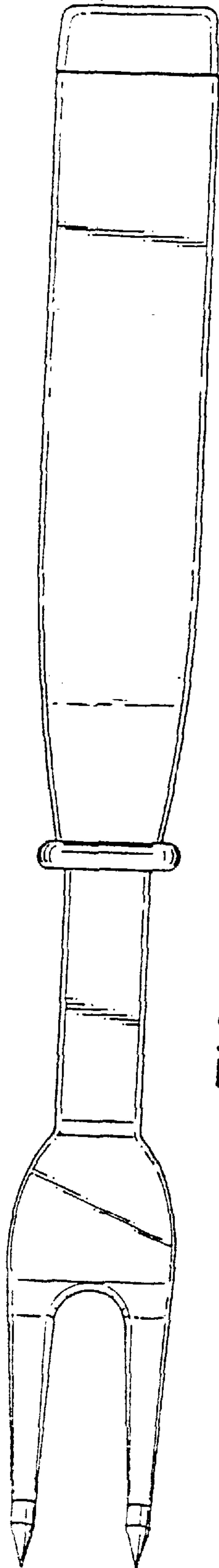


FIG. 4

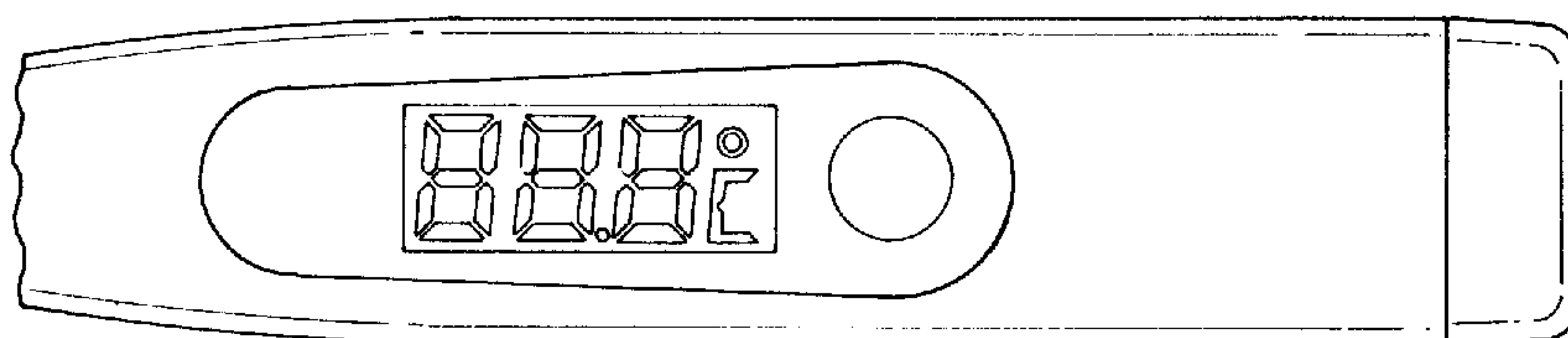


FIG. 7

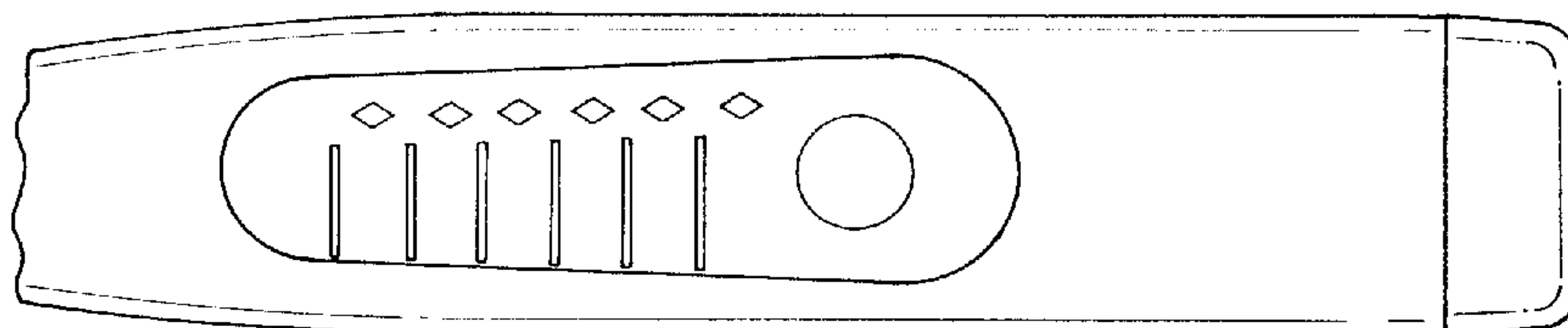


FIG. 8

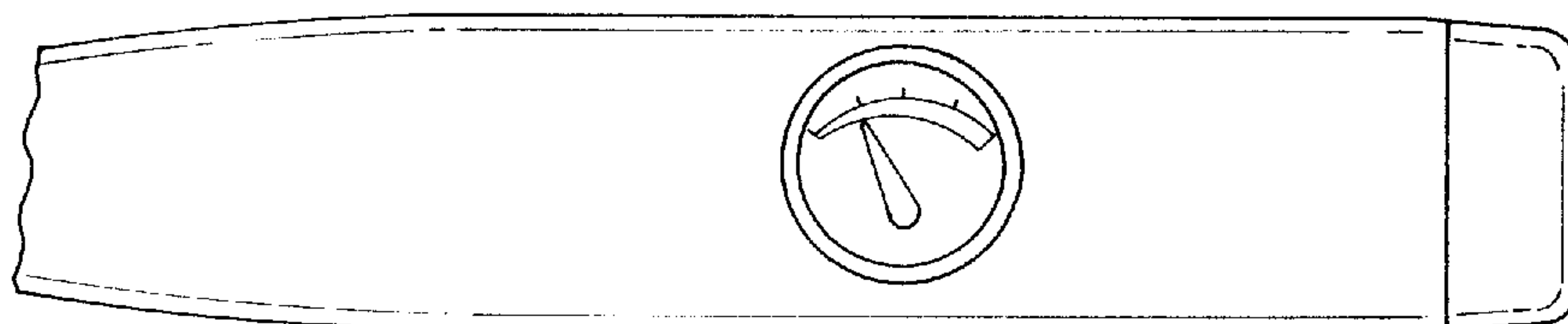


FIG. 9

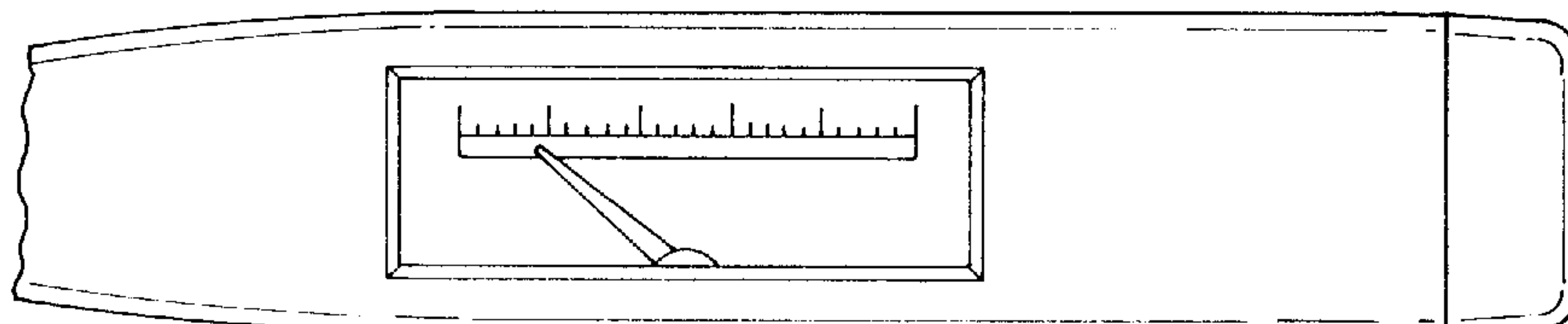


FIG. 10

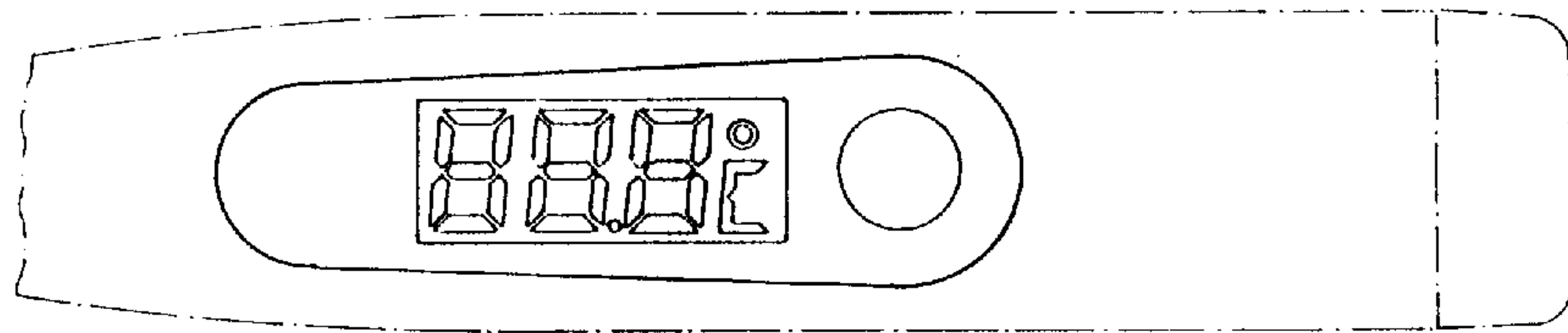


FIG. 11

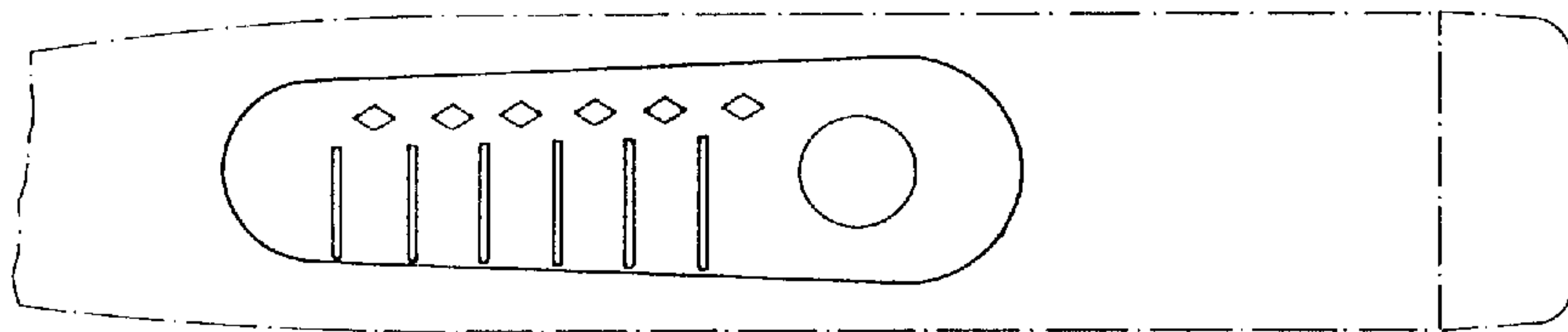


FIG. 12

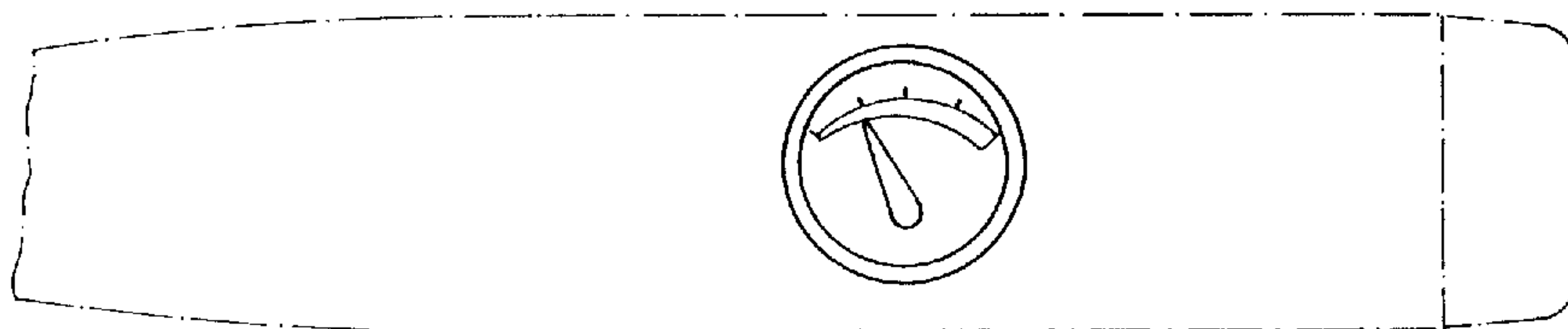


FIG. 13

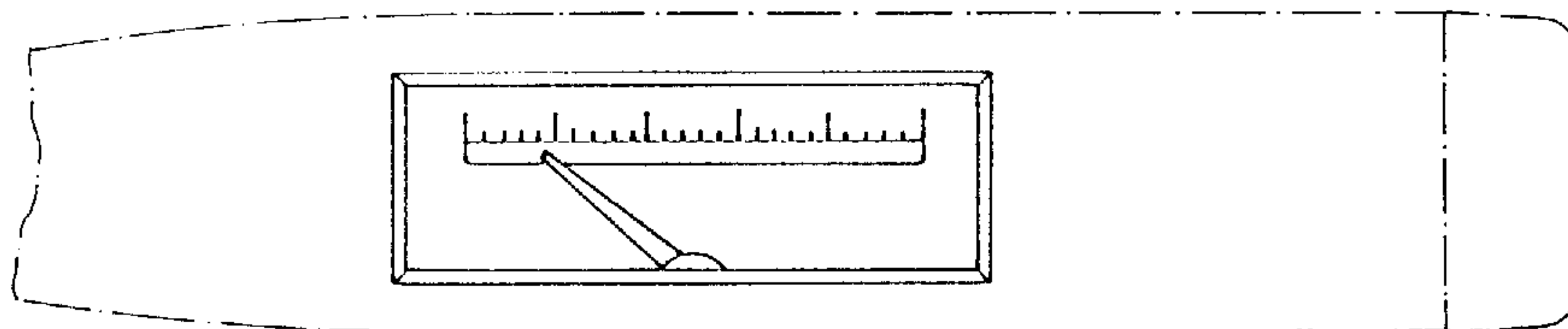


FIG. 14