



US00D405703S

**United States Patent** [19]  
**Robbins, III**

[11] **Patent Number: Des. 405,703**

[45] **Date of Patent: \*\*Feb. 16, 1999**

[54] **MEASURING CANISTER**

[76] **Inventor: Edward S. Robbins, III**, 128  
Hazelwood La., Florence, Ala. 35630

[\*\*] **Term: 14 Years**

[21] **Appl. No.: 80,064**

[22] **Filed: Nov. 26, 1997**

[51] **LOC (6) Cl. .... 10-04**

[52] **U.S. Cl. .... D10/46.2; D7/612**

[58] **Field of Search** ..... D10/46.2, 46.3;  
D7/312, 317, 318, 320-322, 612-615; 73/426-429;  
222/158, 173, 454-456, 465.1

[56] **References Cited**

**U.S. PATENT DOCUMENTS**

D. 369,755	5/1996	Burcham et al. ....	D10/46.2
3,924,472	12/1975	Harris .....	73/426
3,948,105	4/1976	Johnson, Jr. ....	73/427

*Primary Examiner*—Terry A. Wallace  
*Attorney, Agent, or Firm*—Locke Reynolds

[57] **CLAIM**

I claim the ornamental design for a measuring canister, as shown and described.

**DESCRIPTION**

FIG. 1 is a perspective view of a measuring canister in accordance with my design shown in a closed configuration; FIG. 2 is a another perspective view of the measuring canister shown in FIG. 1 shown in an open configuration; FIG. 3 is a top plan view of the measuring canister shown in FIG. 1;

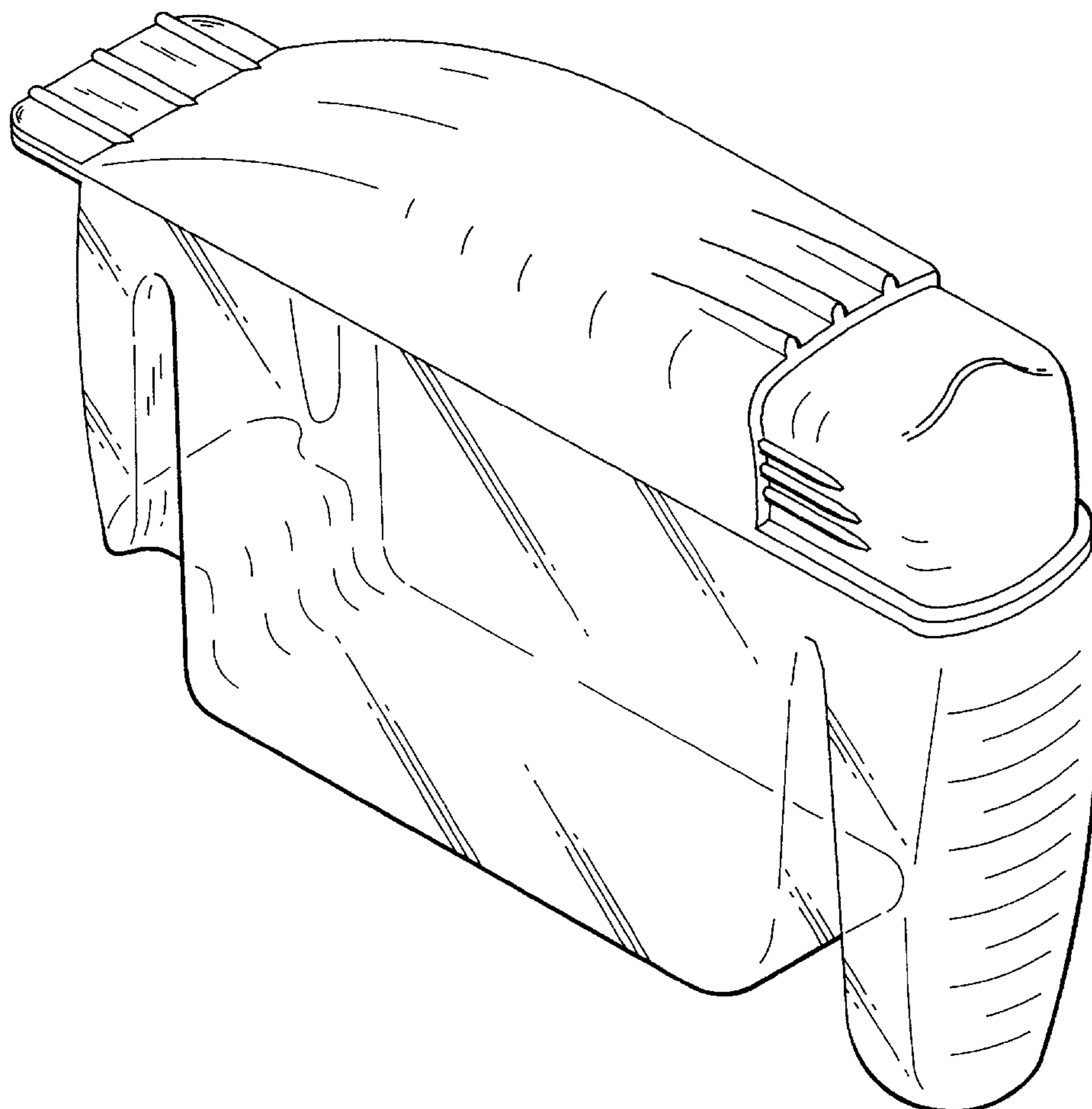
FIG. 4 is a side elevation view of the left side of the measuring canister shown in FIG. 1, the right side being identical;

FIG. 5 is a bottom plan view of the the measuring canister shown in FIG. 1;

FIG. 6 is an elevation view of the measuring canister taken from the left side of FIG. 4; and,

FIG. 7 is an elevation view of the measuring canister taken from the right side of FIG. 4.

**1 Claim, 4 Drawing Sheets**



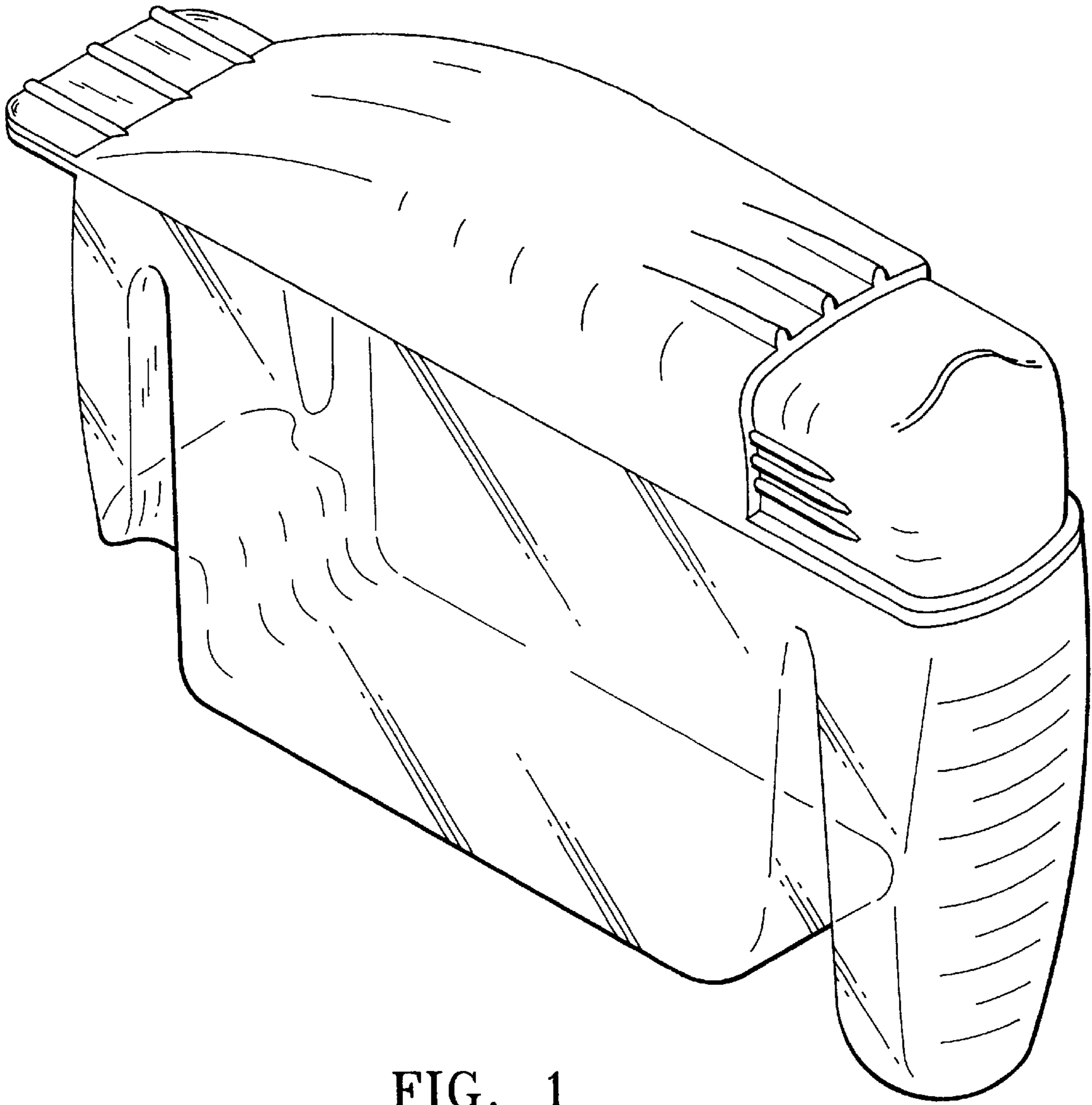


FIG. 1

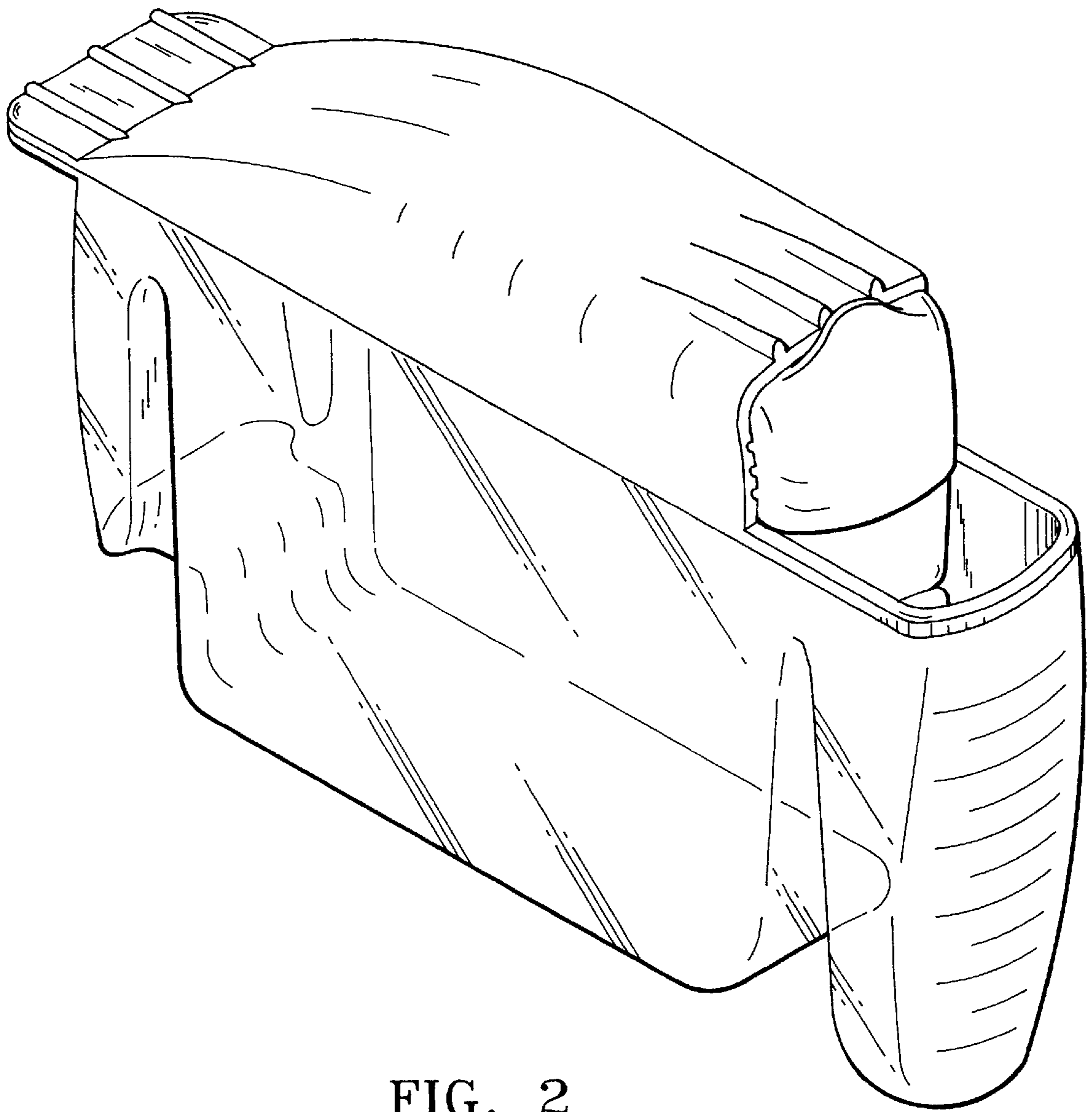


FIG. 2

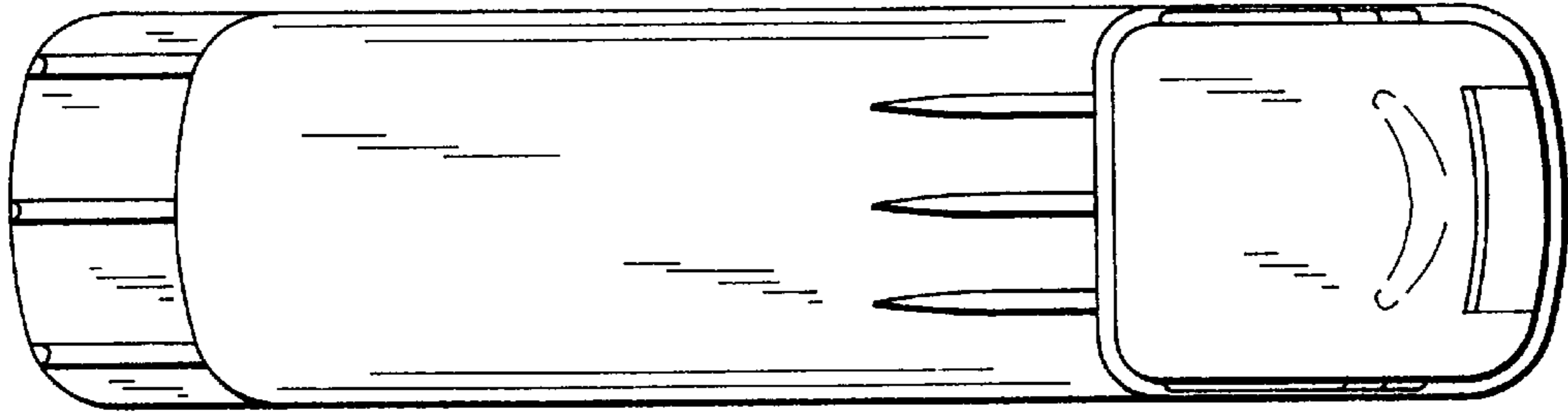


FIG. 3

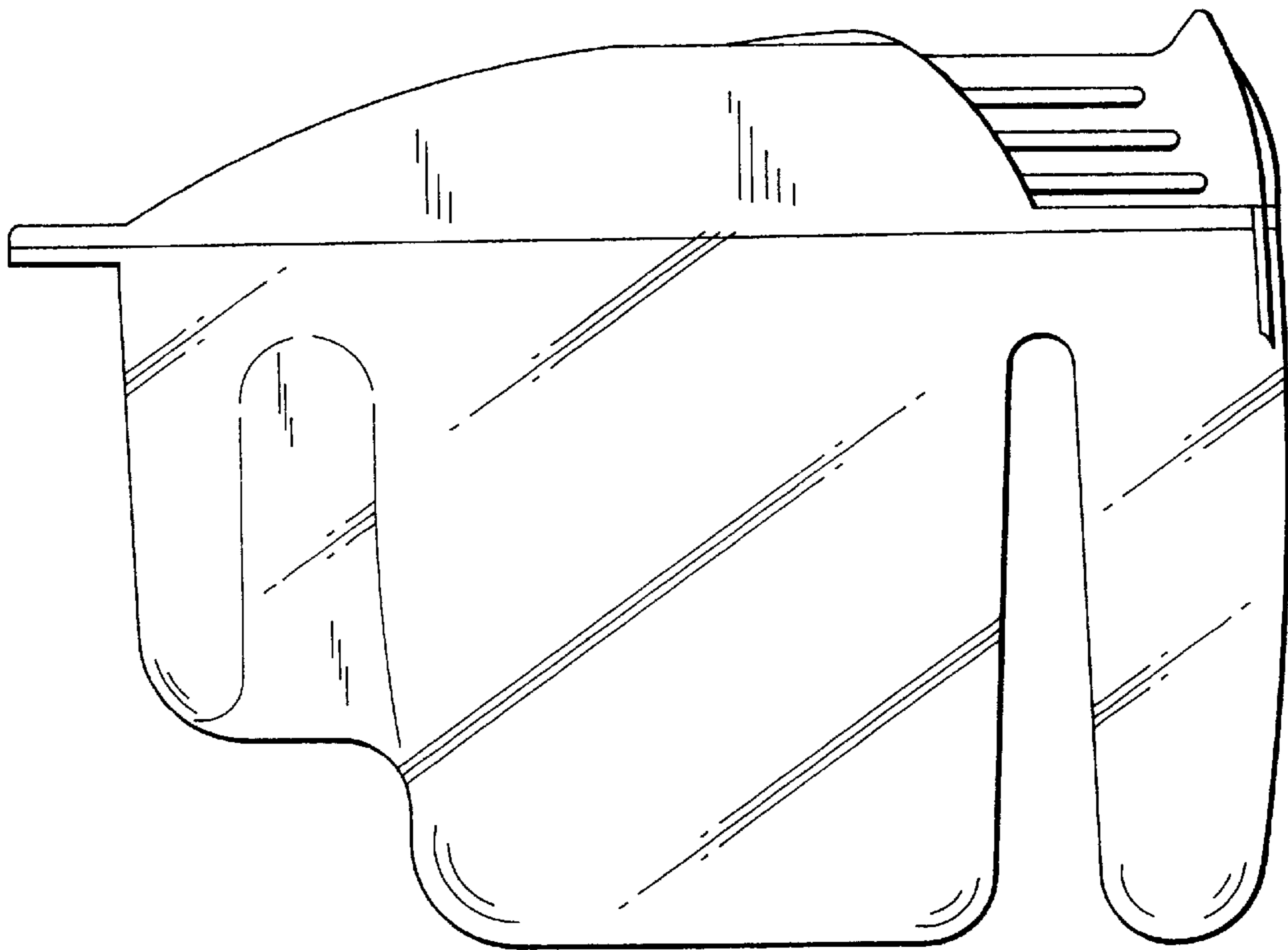


FIG. 4

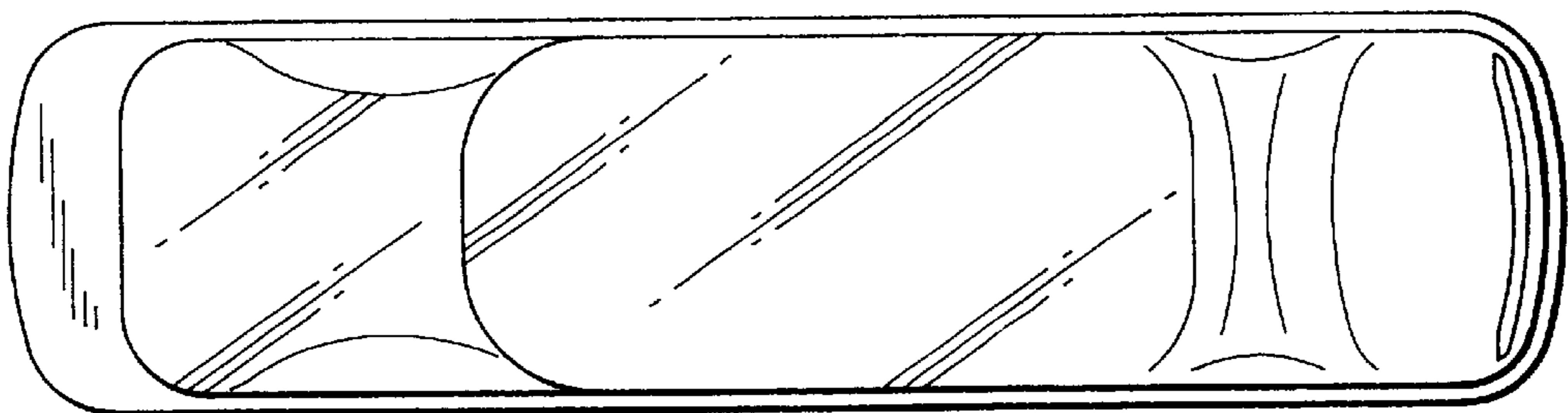


FIG. 5

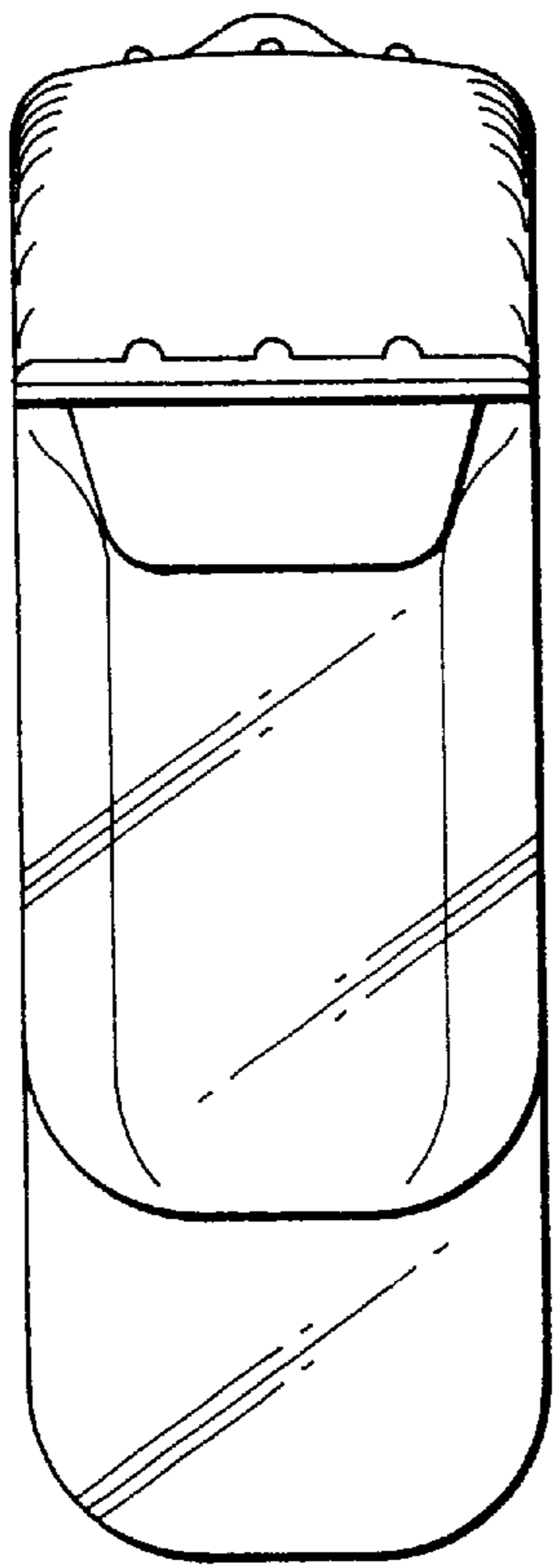


FIG. 6

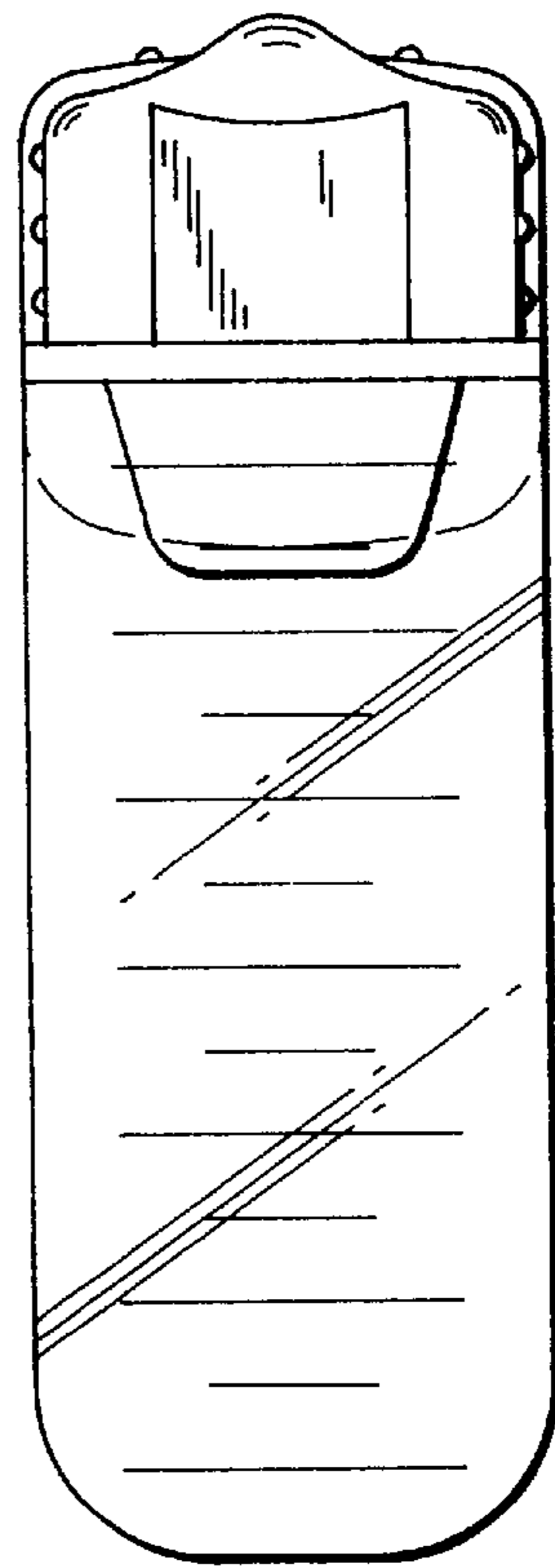


FIG. 7