



US00D405693S

# United States Patent [19]

[11] Patent Number: **Des. 405,693**

Bretz et al.

[45] Date of Patent: **\*\*Feb. 16, 1999**

[54] **BOTTLE CLOSURE**

[75] Inventors: **John M. Bretz**, Crystal Lake; **Susan L. Colten**, Wilmette; **Rachel Orland**, Chicago; **Jeffrey L. Pattee**, Palatine; **Stephen B. Soneson**, Winfield; **Susan Vanderwiel**, Palatine, all of Ill.

[73] Assignee: **Stokely-Van Camp, Inc.**, Chicago, Ill.

[\*\*] Term: **14 Years**

[21] Appl. No.: **63,720**

[22] Filed: **Dec. 6, 1996**

[51] **LOC (6) Cl.** ..... **09-07**

[52] **U.S. Cl.** ..... **D9/447; D9/493**

[58] **Field of Search** ..... D9/435, 440, 443, D9/447, 450, 452, 453, 454, 503, 529; 222/153.01, 212, 215, 494, 562, 566, 568; 215/200, 316, 329; 220/200

[56] **References Cited**

**U.S. PATENT DOCUMENTS**

- D. 99,327 4/1936 Howie, Jr. .... D9/452
- D. 178,609 8/1956 Mansfield ..... D9/447 X
- D. 217,903 6/1970 Derenski .
- D. 228,284 9/1973 Gryniewicz .
- D. 259,704 6/1981 Castronovo ..... D9/447

- D. 261,992 11/1981 Tuthill et al. .... D9/449
- D. 296,081 6/1988 Kuboshima ..... D9/443
- D. 320,939 10/1991 Hofmann et al. .... D9/447
- D. 337,943 8/1993 Sirgo et al. .... D9/435
- D. 343,358 1/1994 Lay et al. .... D9/449
- D. 352,004 11/1994 Bikoff et al. .... D9/503
- D. 385,491 10/1997 Mueller et al. .... D9/446
- 3,045,860 7/1962 Desgagne ..... D9/450 X
- 4,204,615 5/1980 McCarthy ..... 222/153
- 5,328,058 7/1994 Leoncavallo et al. .... 222/153

*Primary Examiner*—James Gandy  
*Assistant Examiner*—Cathron B. Matta  
*Attorney, Agent, or Firm*—Lars S. Johnson

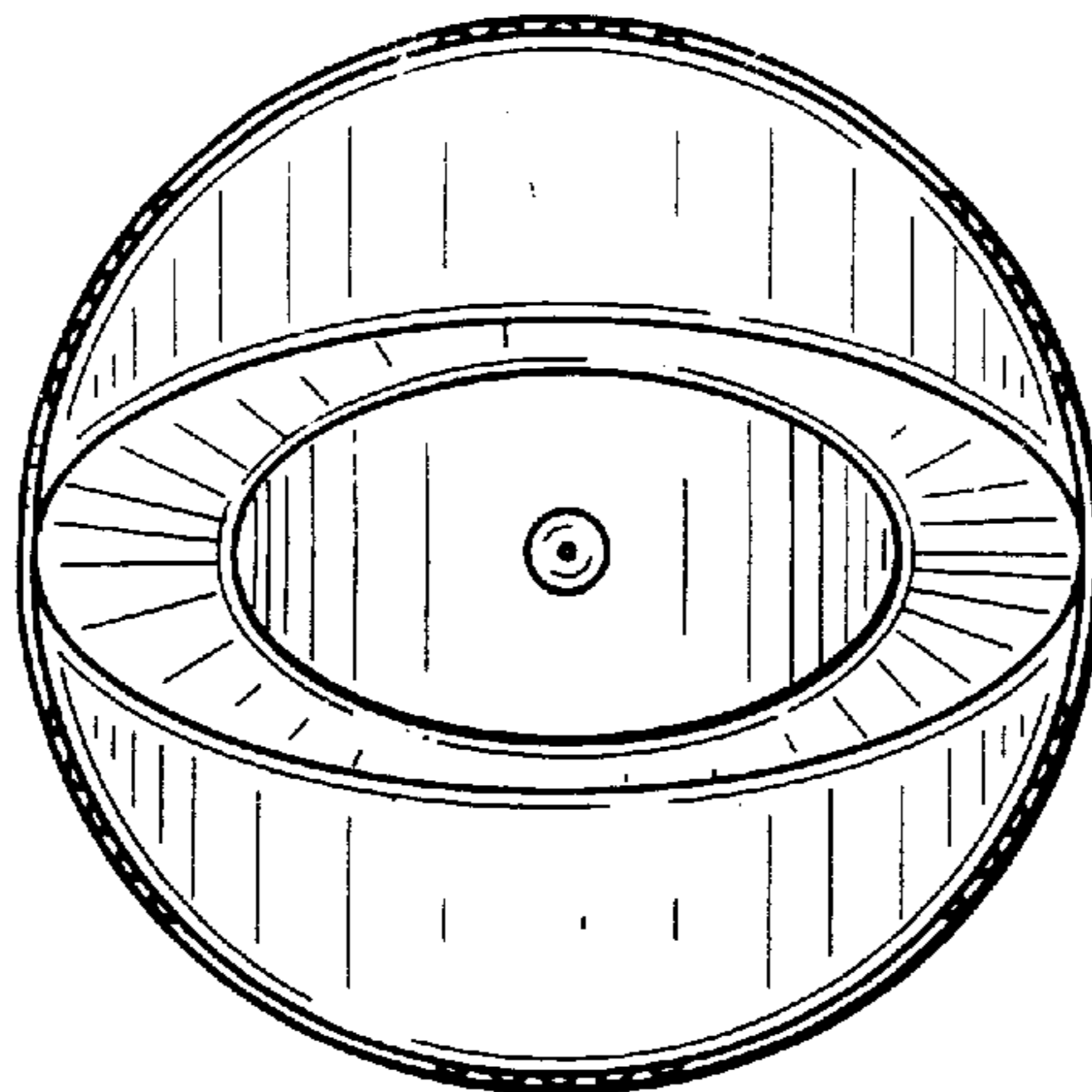
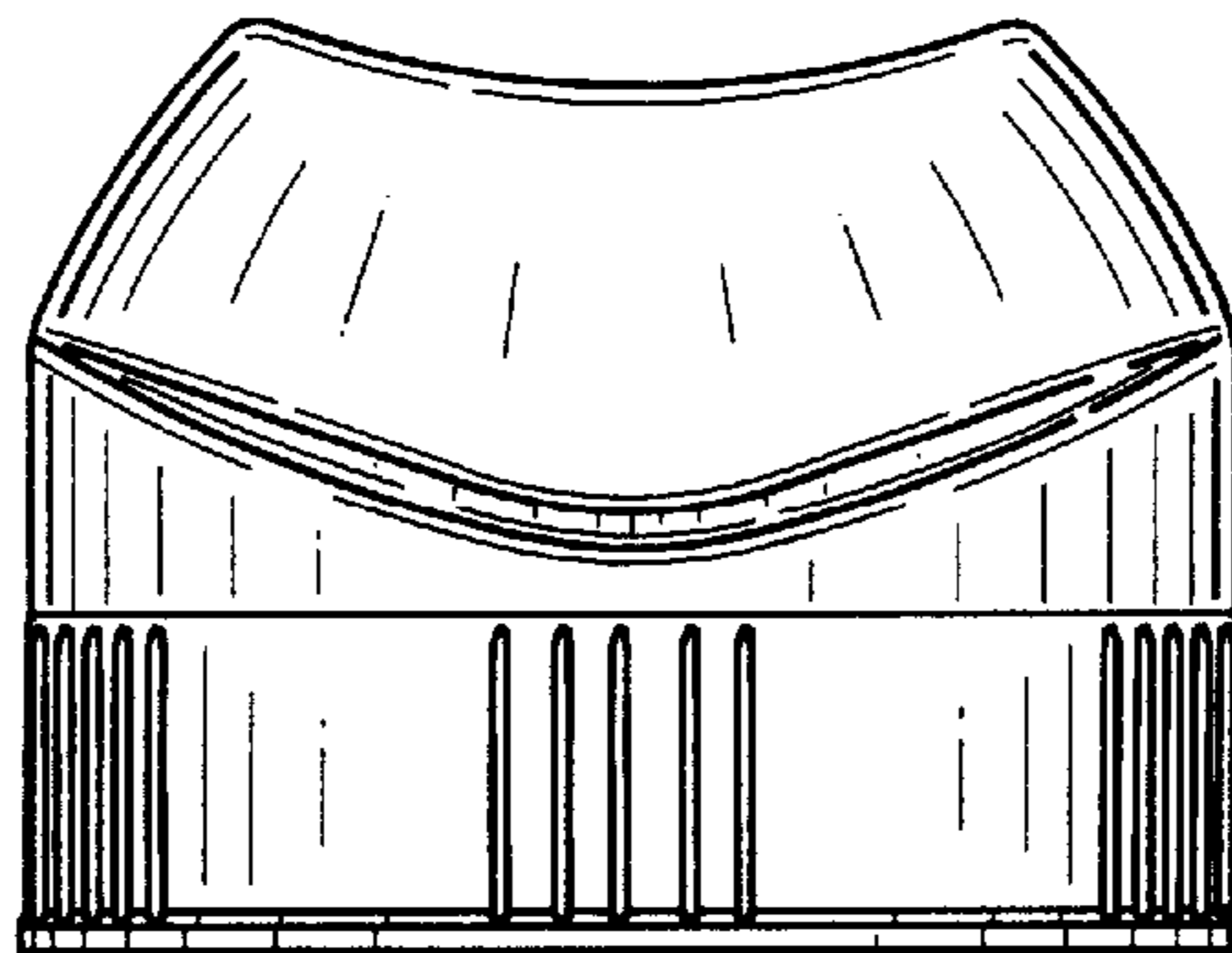
[57] **CLAIM**

The ornamental design for a bottle closure, as shown and described.

**DESCRIPTION**

FIG. 1 is a front view of a bottle closure showing our new design, the rear view being a mirror image thereof; FIG. 2 is a top view of a bottle closure depicted in FIG. 1; FIG. 3 is a bottom view of the bottle closure depicted in FIG. 1; and, FIG. 4 is a side view of the bottle closure depicted in FIG. 1 representing a partial rotation of the bottle closure about its vertical center axis from the front view depicted in FIG. 1, the opposite side view being a mirror image thereof.

**1 Claim, 1 Drawing Sheet**



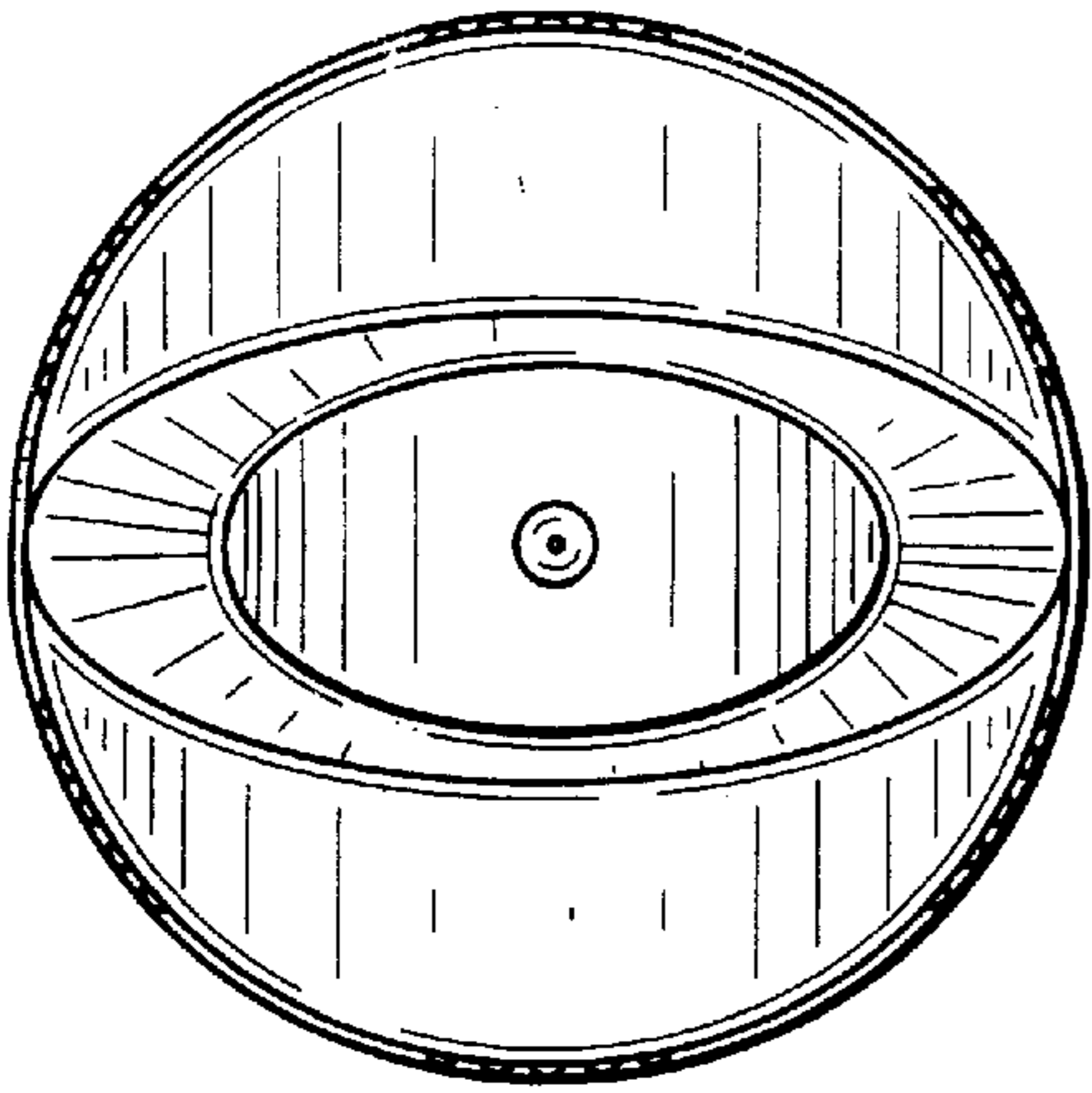


FIG. 2

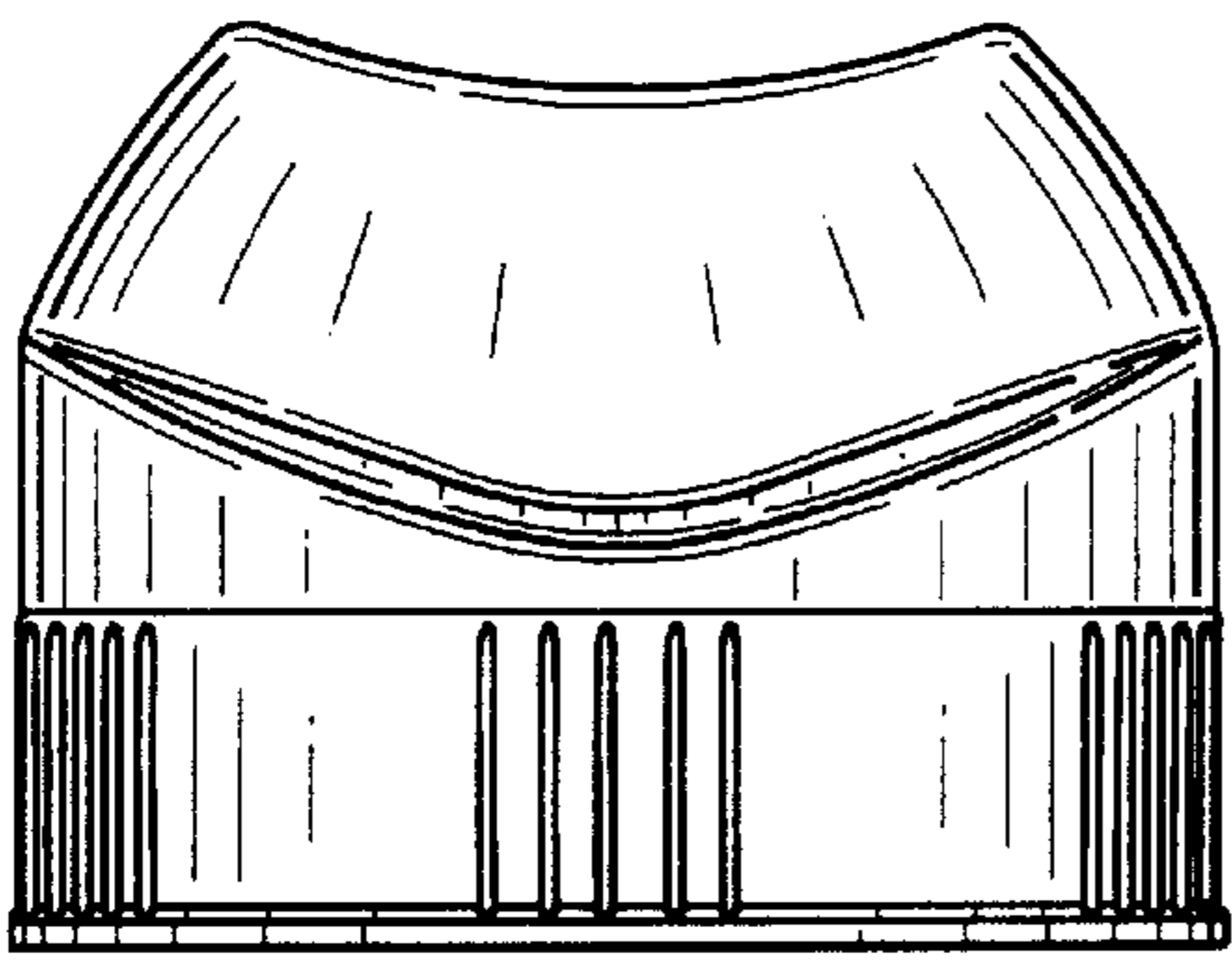


FIG. 1

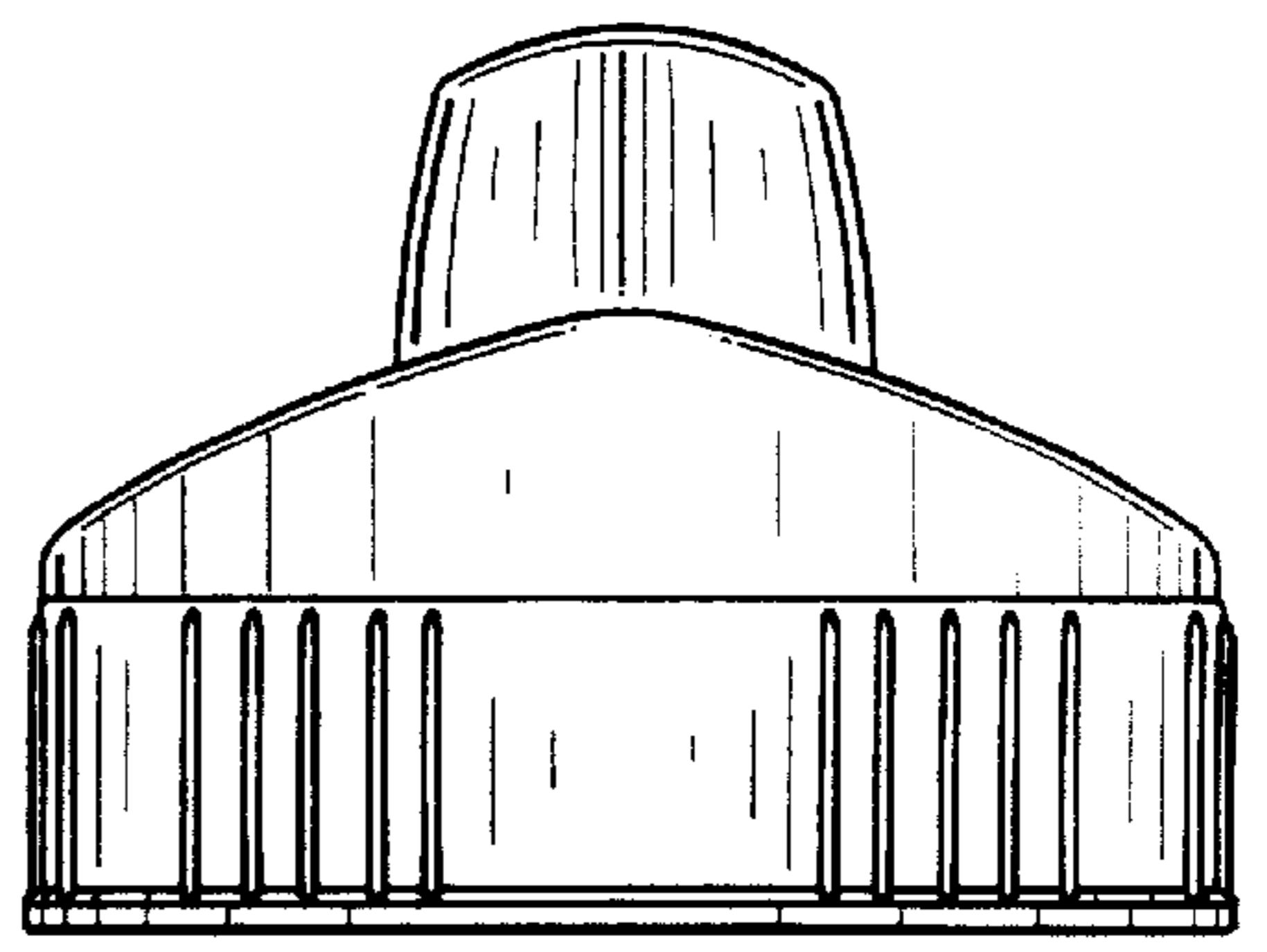


FIG. 4

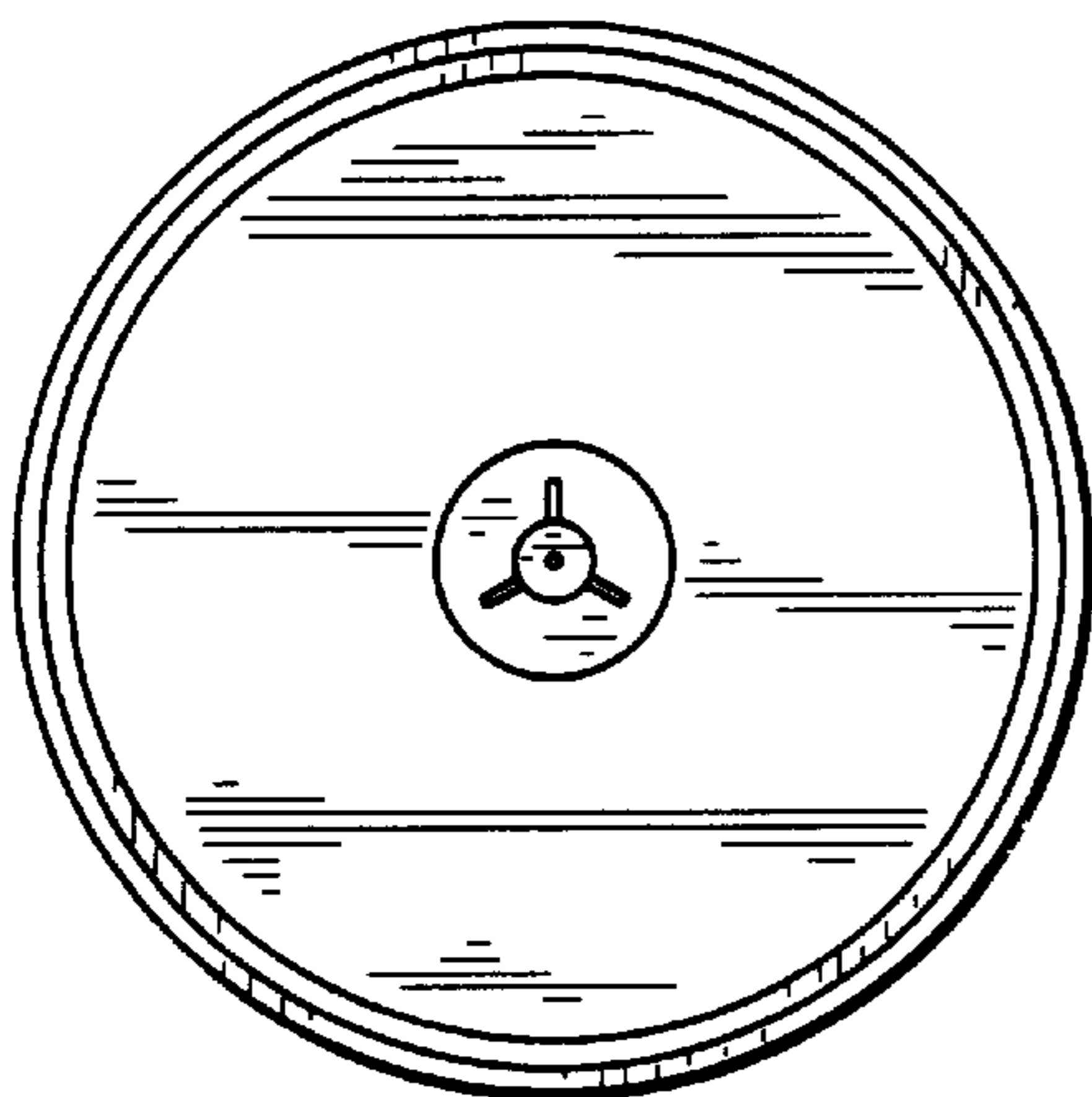


FIG. 3