



US00D405687S

**United States Patent** [19]  
**Borg**

[11] **Patent Number: Des. 405,687**

[45] **Date of Patent: \*\*Feb. 16, 1999**

[54] **FOUR CONTAINER CARRIER WITH HANDLE**

3,097,740 7/1963 Poupitch ..... 206/150 X  
4,416,481 11/1983 Ullman ..... 294/87.2

[75] Inventor: **James C. Borg**, Eugene, Oreg.

*Primary Examiner*—Ted Shooman  
*Assistant Examiner*—Nanda Bondade  
*Attorney, Agent, or Firm*—Chernoff, Vilhauer, McClung & Stenzel, LLP

[73] Assignee: **Oregon Precision Industries, Inc.**, Eugene, Oreg.

[\*\*] Term: **14 Years**

[57] **CLAIM**

[21] Appl. No.: **86,691**

The ornamental design for a four container carrier with handle, as shown and described.

[22] Filed: **Apr. 17, 1998**

**DESCRIPTION**

[51] **LOC (6) Cl.** ..... **09-03**

[52] **U.S. Cl.** ..... **D9/344**

[58] **Field of Search** ..... D9/344, 345, 346;  
206/150, 151, 159, 160, 161, 199; 294/87.2

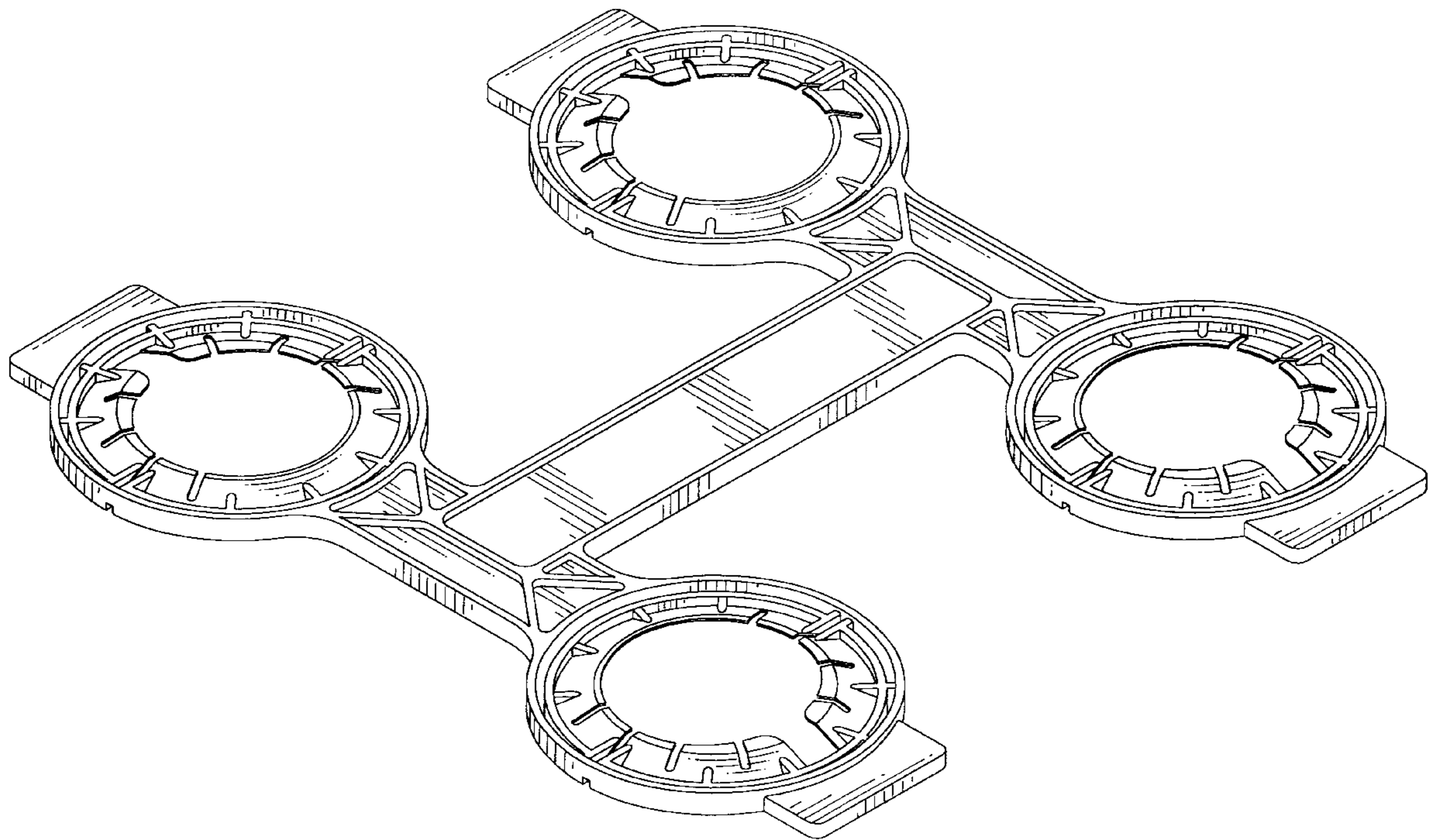
FIG. 1 is a perspective view of a four container carrier with handle embodying said design;  
FIG. 2 is a top view thereof;  
FIG. 3 is a end view thereof, the opposite end view being identical;  
FIG. 4 is a side view thereof, the opposite side view being identical; and,  
FIG. 5 is a bottom view thereof.

[56] **References Cited**

**U.S. PATENT DOCUMENTS**

- D. 197,357 1/1964 De Shazor, Jr. .... D9/344
- D. 237,589 11/1975 Calvert ..... D9/344
- D. 310,482 9/1990 Smith ..... D9/344

**1 Claim, 3 Drawing Sheets**



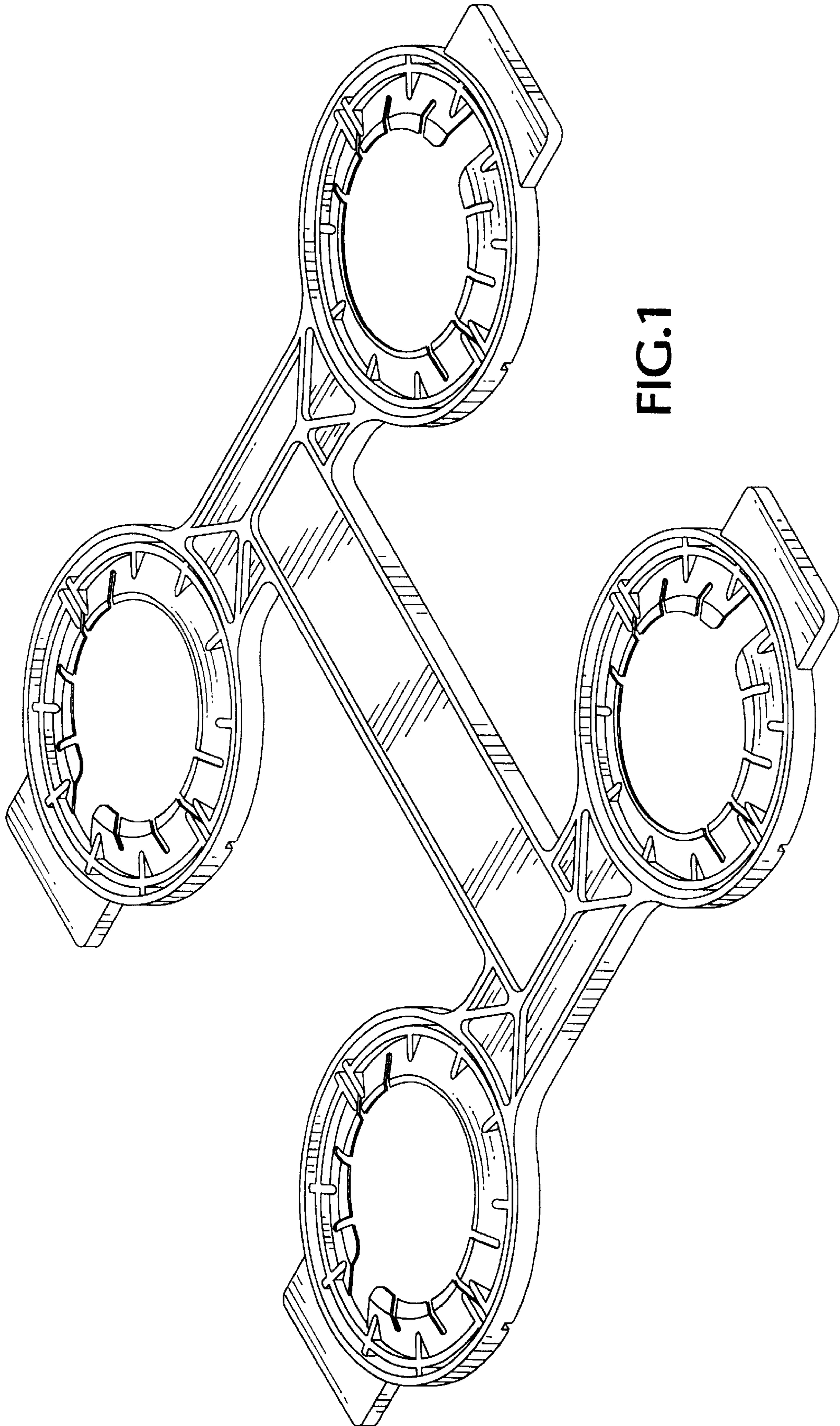


FIG.1

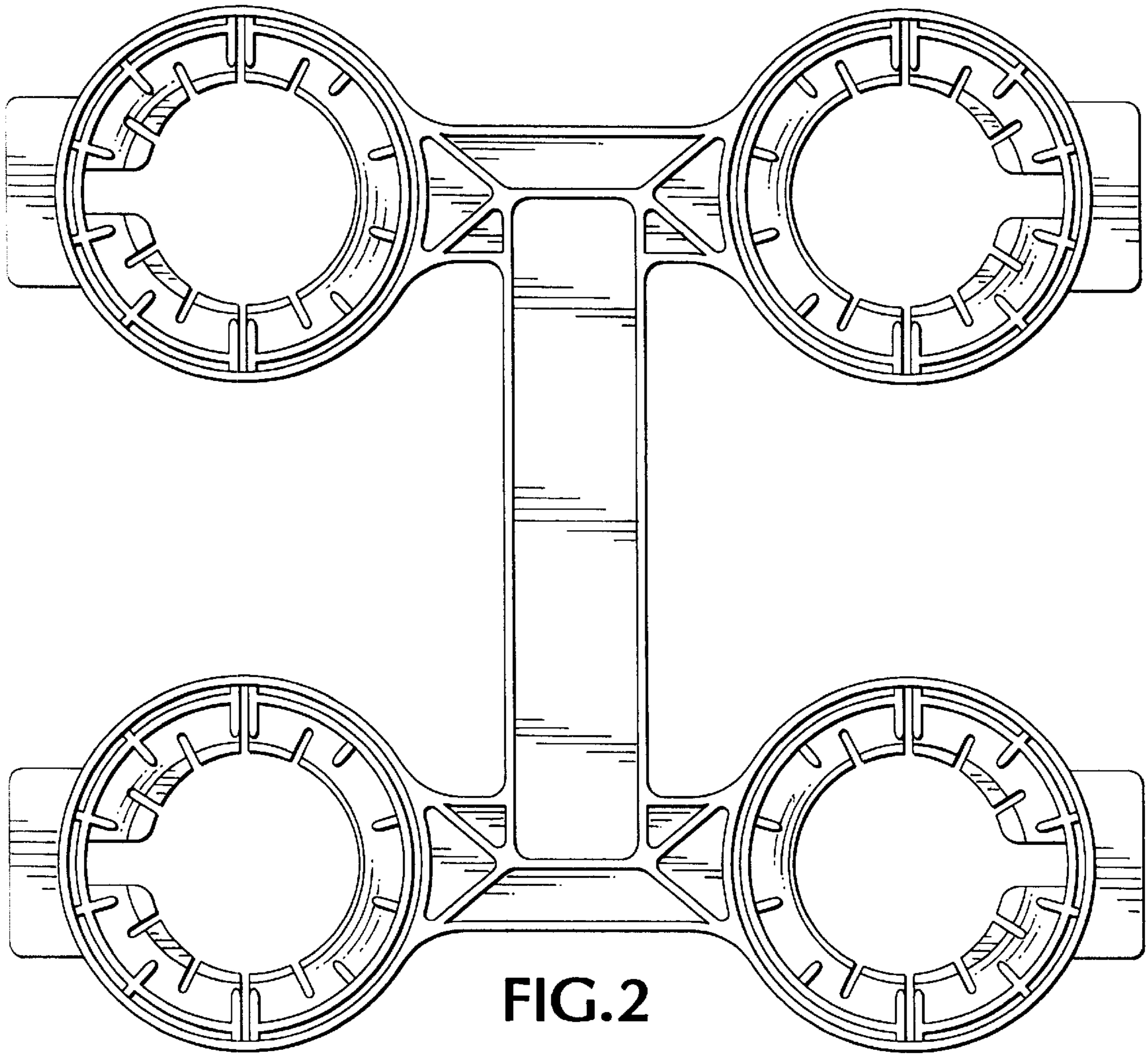


FIG. 2



FIG. 3



FIG. 4



