



US00D405683S

United States Patent [19]
Opielski et al.

[11] **Patent Number: Des. 405,683**

[45] **Date of Patent: **Feb. 16, 1999**

[54] **WINDOW ATTACHMENT CLIP COMPONENT**

3,381,431 5/1968 Jacobson .
4,478,002 10/1984 English 49/57
4,838,001 6/1989 Battles 49/57

[75] Inventors: **Brian C. Opielski**, Malvern, Pa.;
Jerome C. Habeck, Holt, Mich.

Primary Examiner—B. J. Bullock
Attorney, Agent, or Firm—Duane, Morris & Heckscher LLP

[73] Assignee: **CertainTeed Corporation**, Valley Forge, Pa.

[57] **CLAIM**

[**] Term: **14 Years**

The ornamental design for a window attachment clip component, as shown and described.

[21] Appl. No.: **56,494**

DESCRIPTION

[22] Filed: **Jun. 28, 1996**

FIG. 1 is a top plan view of a window attachment clip component showing our new design; the bottom surface of the lower element is flat, and the rounded element is uniform around the axis;

[51] **LOC (6) Cl.** **08-09**

[52] **U.S. Cl.** **D8/400**

[58] **Field of Search** D8/400, 499; 16/193, 16/198, 199; 52/456, 311.3, 314

FIG. 2 is a left side elevation view of the window attachment clip component of FIG. 1, the right side elevation view being a mirror image thereof; and,

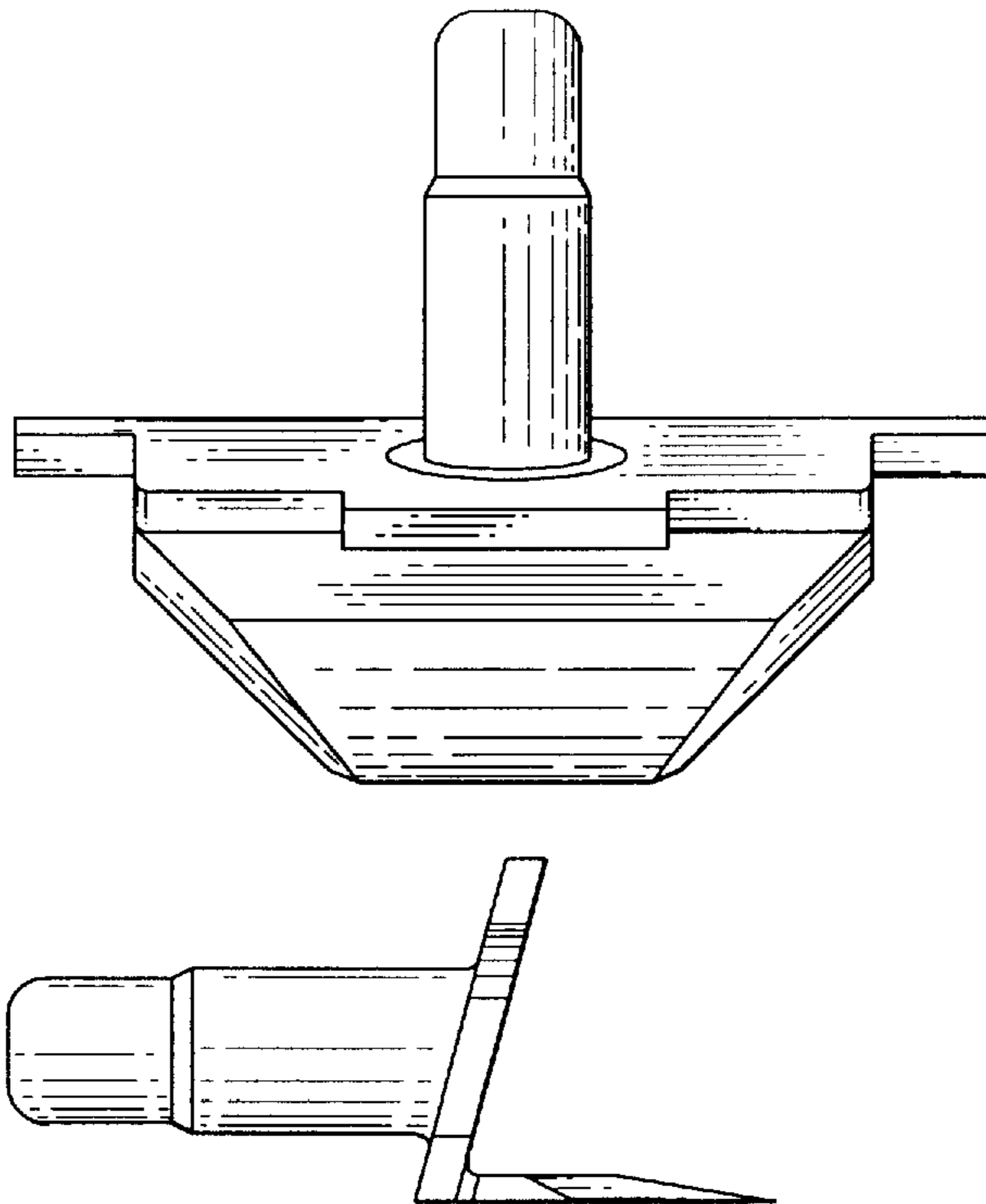
[56] **References Cited**

FIG. 3 is a front elevational view of the window attachment clip component housing of FIG. 1; the rear of the upright element is flat, except for the rounded element.

U.S. PATENT DOCUMENTS

3,358,412 12/1967 Martin 52/456
3,372,522 3/1968 Engstrom 52/456

1 Claim, 1 Drawing Sheet



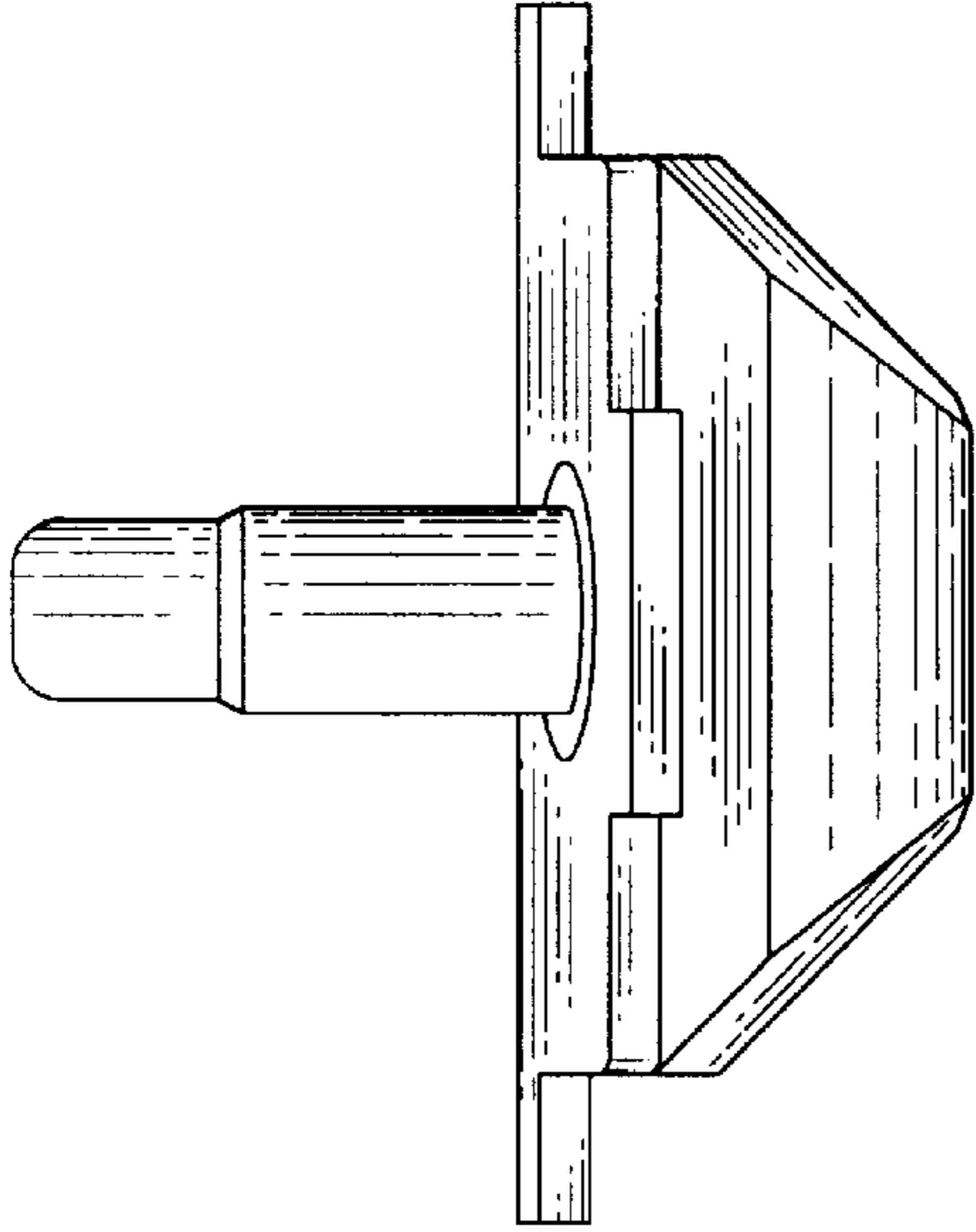


FIG. 1

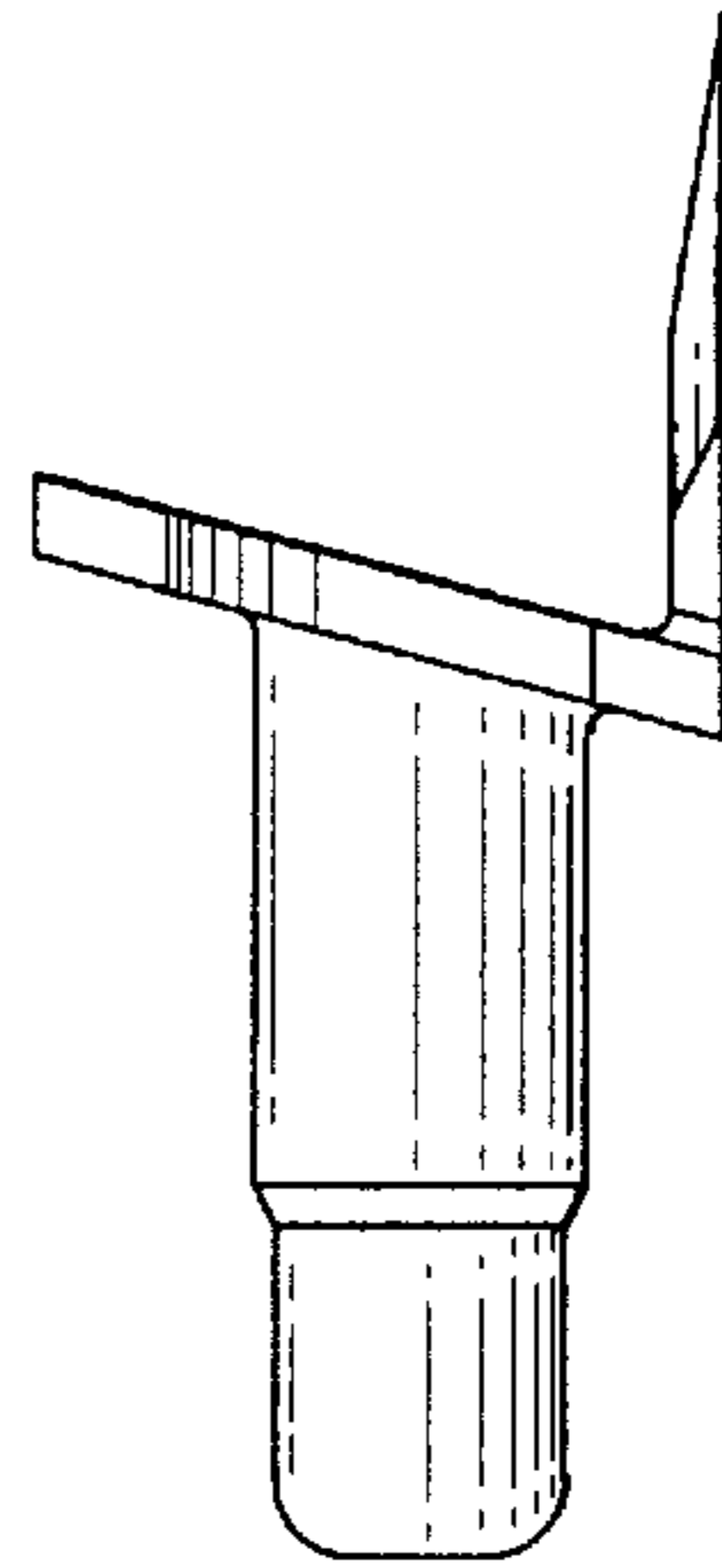


FIG. 2

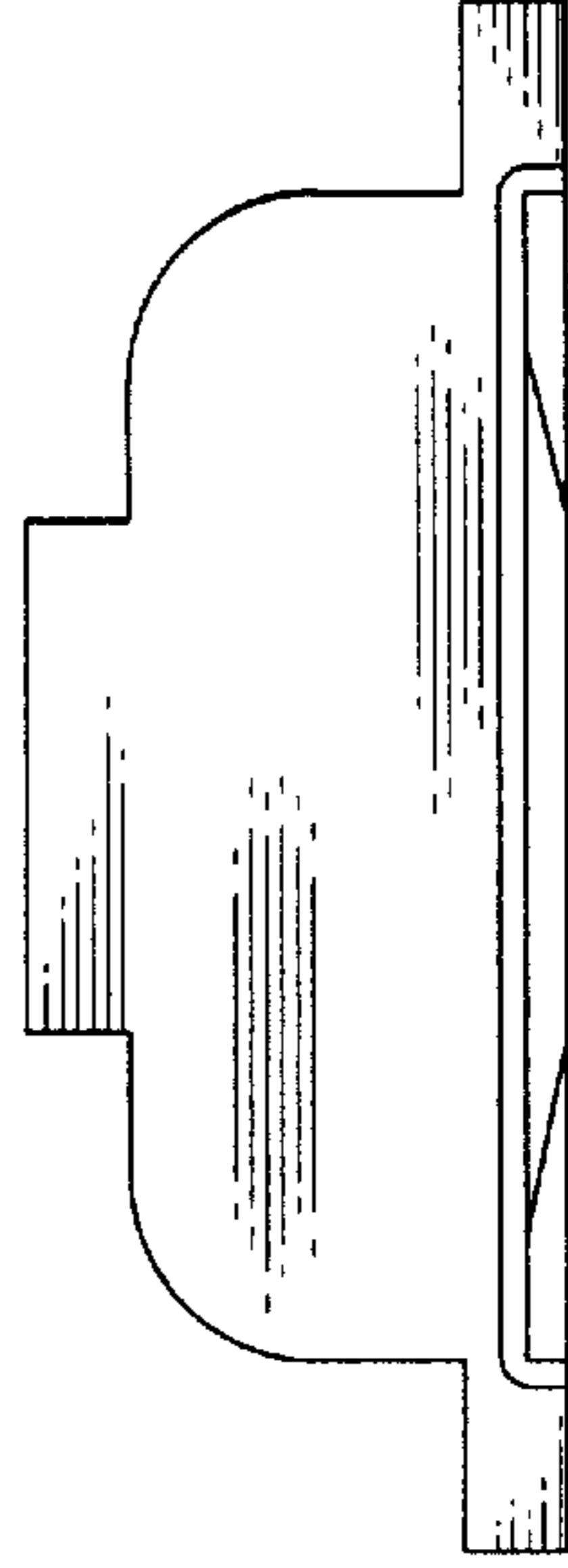


FIG. 3