



US00D405682S

# United States Patent [19] Suher

[11] **Patent Number: Des. 405,682**

[45] **Date of Patent: \*\*Feb. 16, 1999**

[54] **POST MOUNTED HANGER**

[76] Inventor: **Frank Roy Suher**, 2727 Hillcroft Dr.,  
Wildwood, Mo. 63005

[\*\*] Term: **14 Years**

[21] Appl. No.: **87,157**

[22] Filed: **Apr. 27, 1998**

[51] **LOC (6) Cl. .... 08-05**

[52] **U.S. Cl. .... D8/370**

[58] **Field of Search .... D8/370, 373; 248/302,  
248/303, 339; 52/685**

[56] **References Cited**

**U.S. PATENT DOCUMENTS**

D. 28,026	12/1897	Schies .....	D8/382
D. 261,984	11/1981	Gunnella .....	D8/367
D. 337,936	8/1993	Lindeman .....	D8/370
D. 384,566	10/1997	Dickhaus .....	D8/370 X
1,728,613	9/1929	Jones .....	248/302

3,504,108	3/1970	Kihs .....	248/302 X
5,170,536	12/1992	McBrown .....	D8/370 X
5,181,363	1/1993	Leach et al. ....	52/685

*Primary Examiner*—Holly Baynham

[57] **CLAIM**

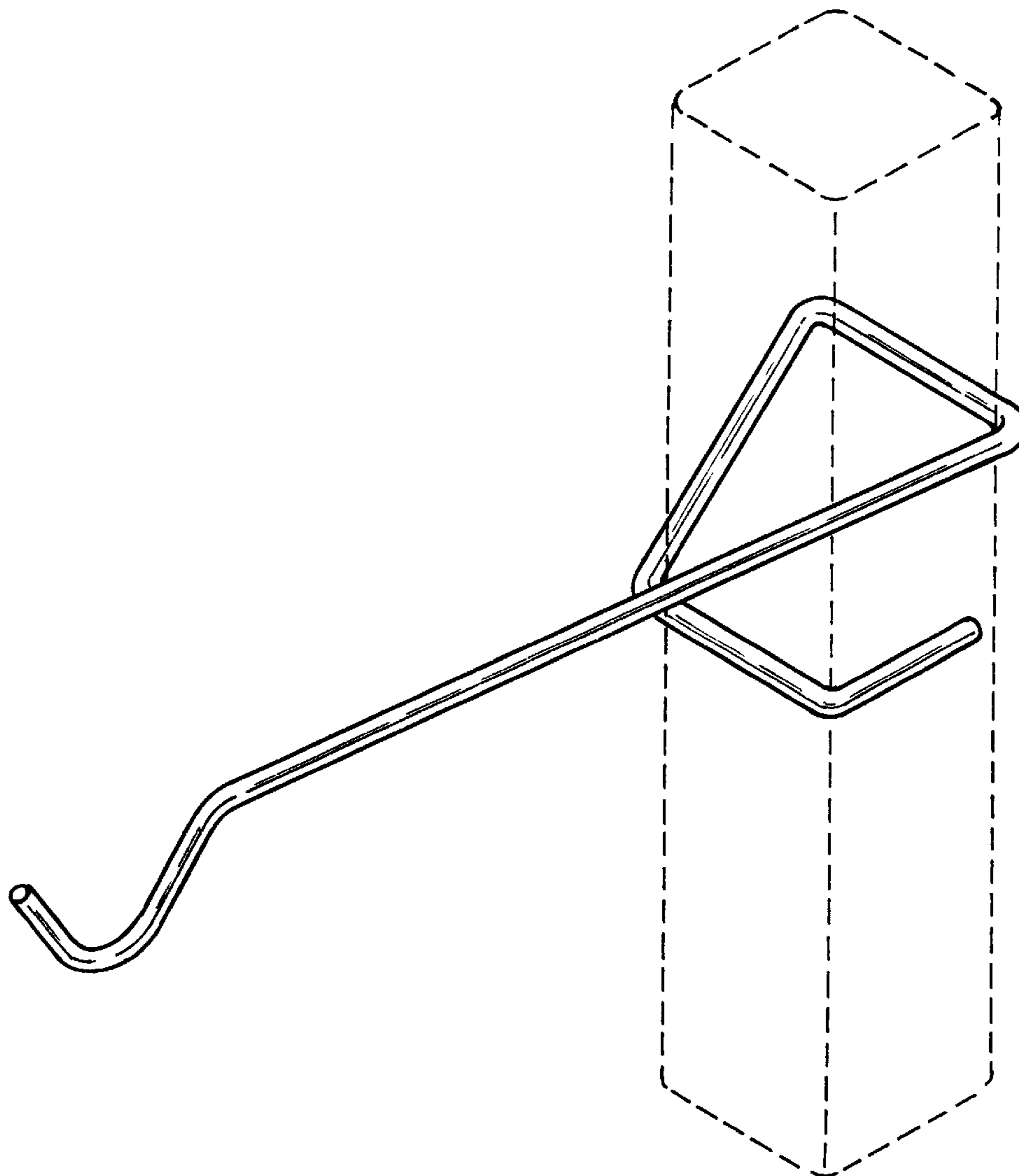
The ornamental design for a post mounted hanger, as shown and described.

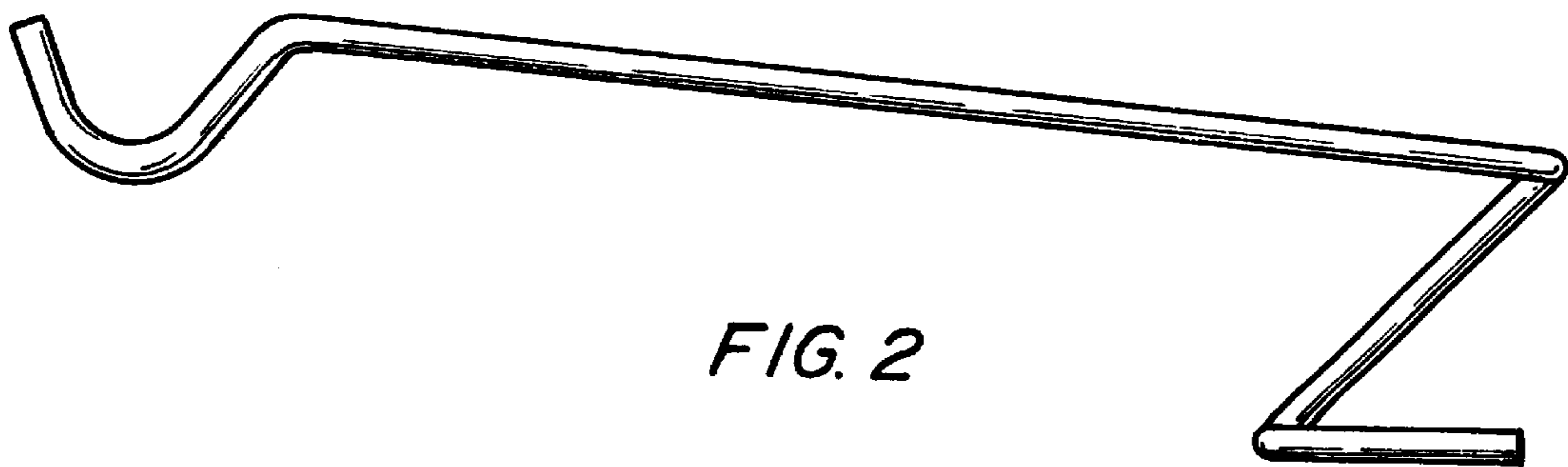
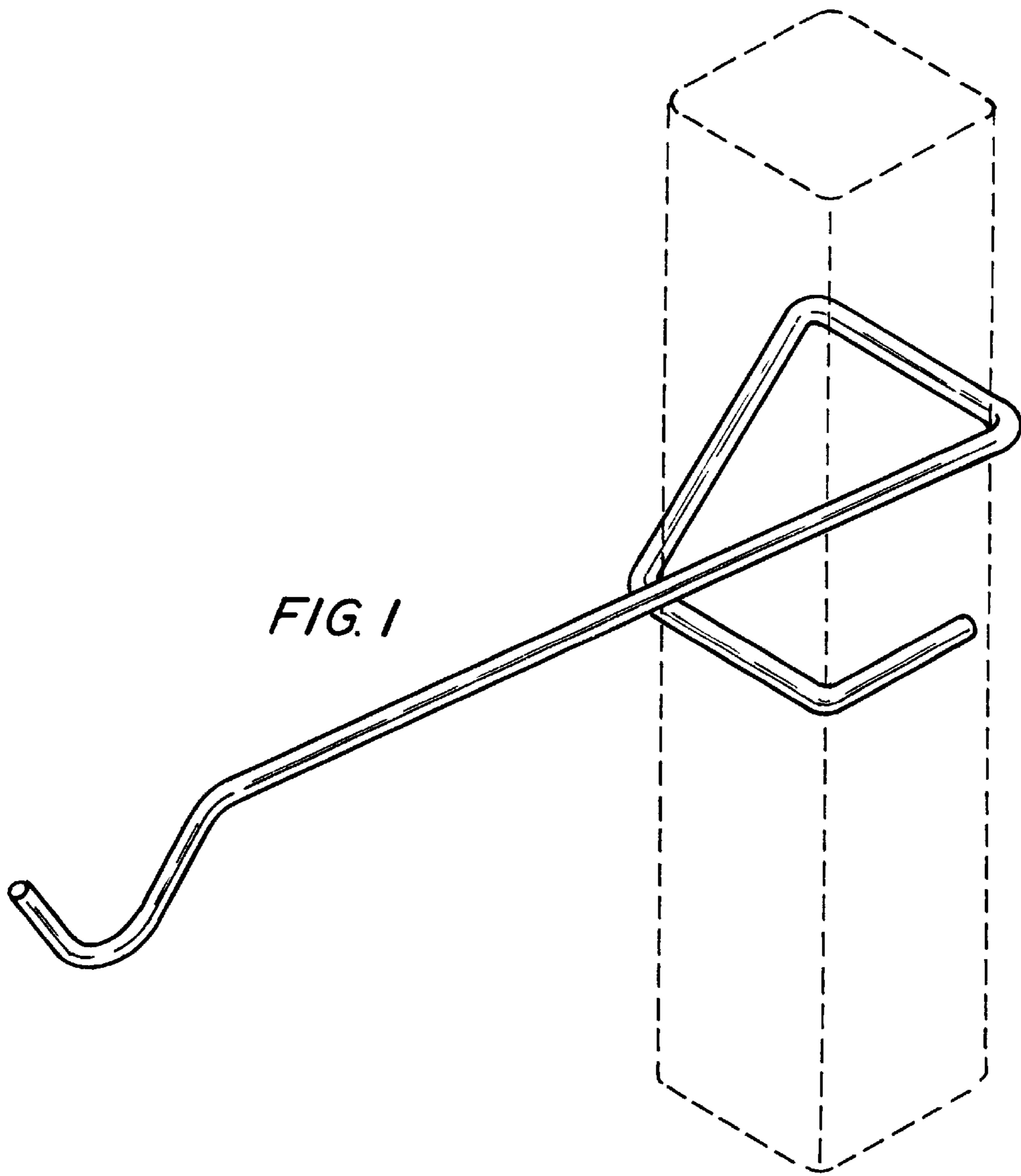
**DESCRIPTION**

FIG. 1 is a perspective view of a post mounted hanger showing my new design;  
FIG. 2 is a front elevational view thereof;  
FIG. 3 is a top view thereof;  
FIG. 4 is a back elevational view thereof;  
FIG. 5 is a bottom view thereof;  
FIG. 6 is a left end view thereof; and,  
FIG. 7 is a right end view thereof.

The broken line showing of a post in FIG. 1 is for illustrative purposes only and forms no part of claimed design.

**1 Claim, 2 Drawing Sheets**





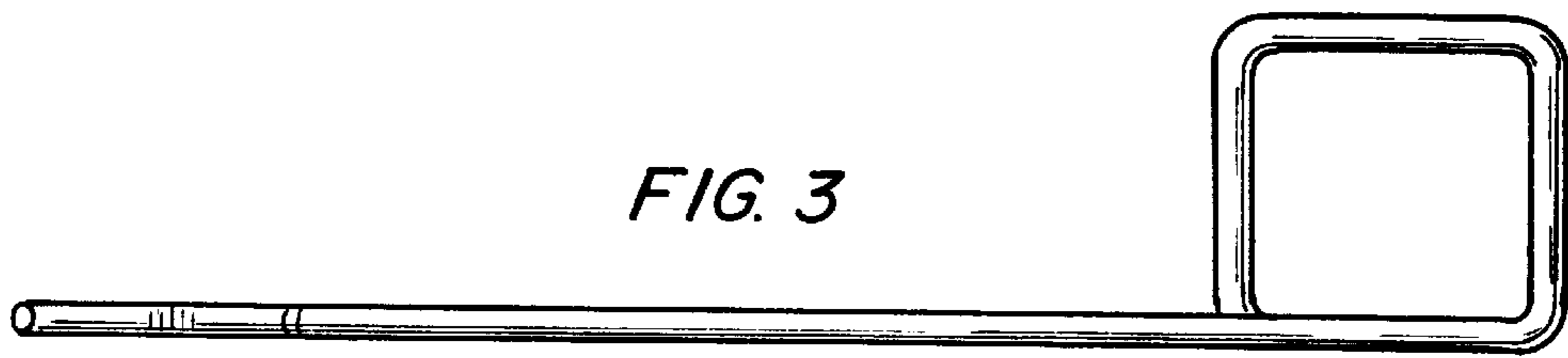


FIG. 3

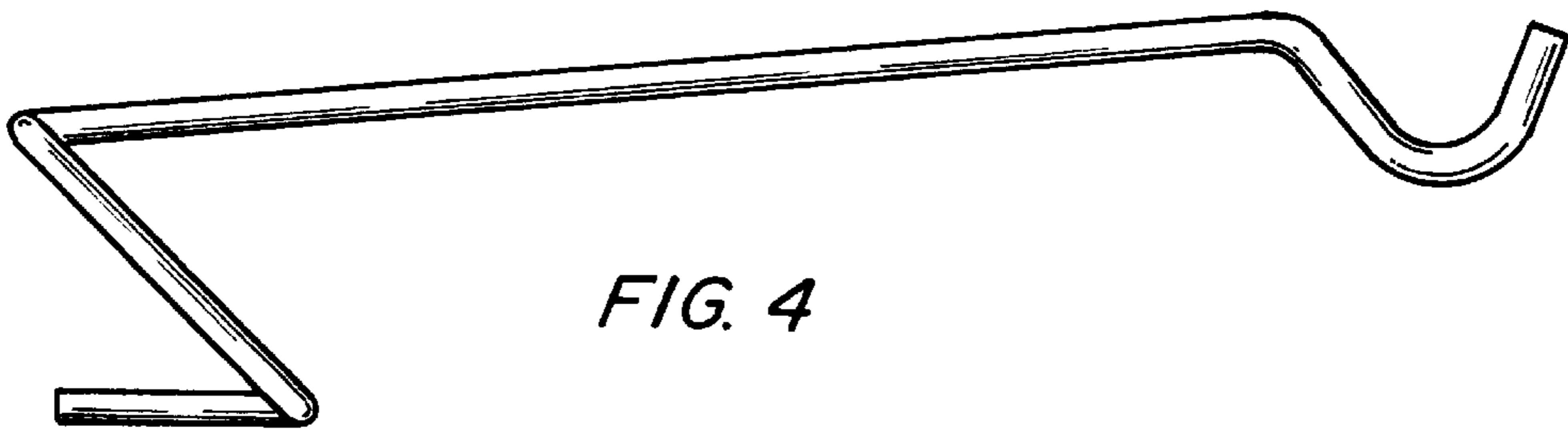


FIG. 4

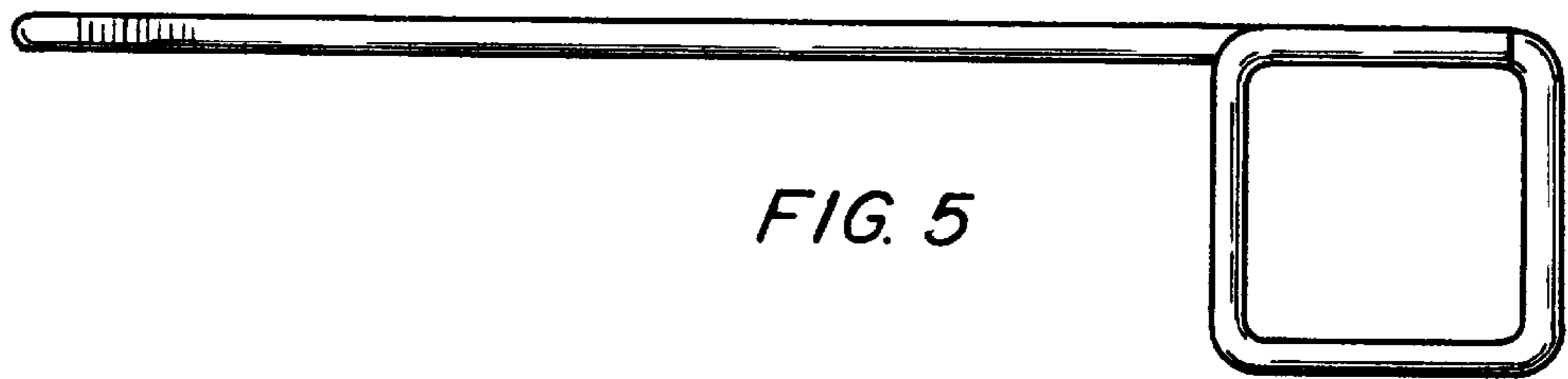


FIG. 5

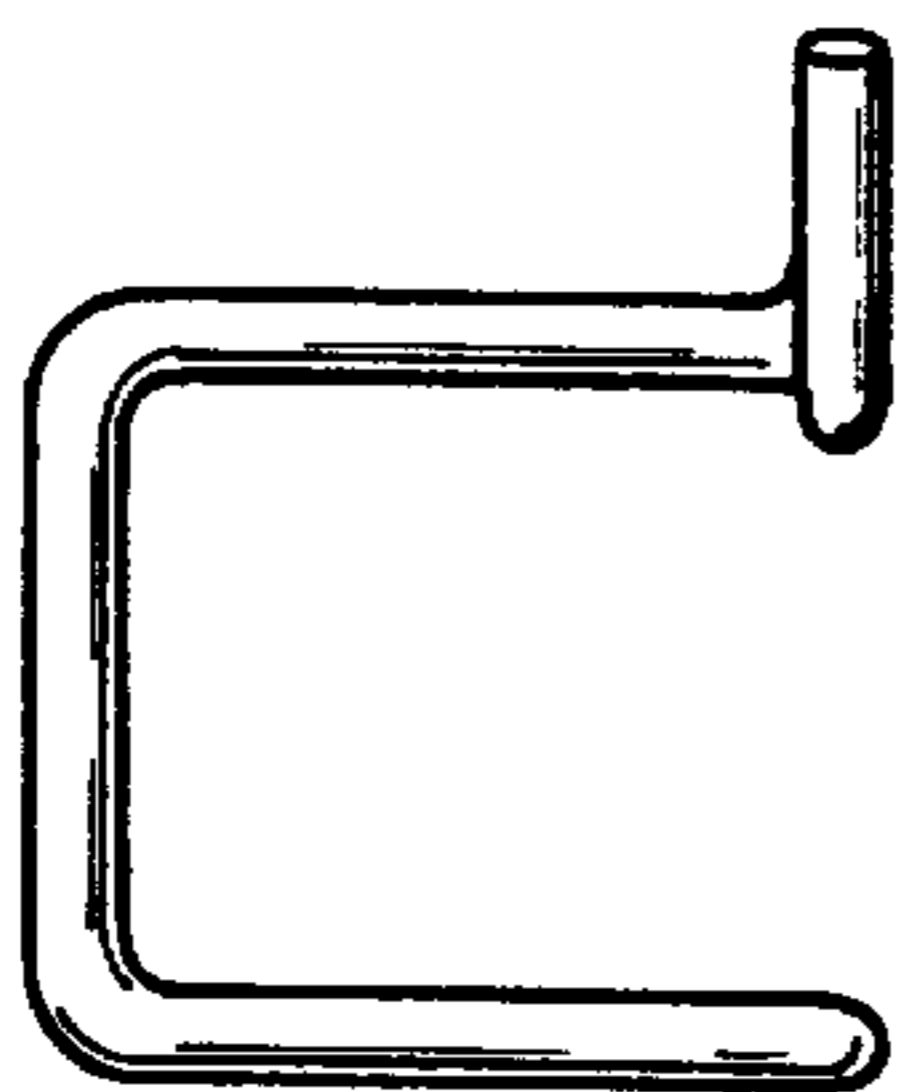


FIG. 6

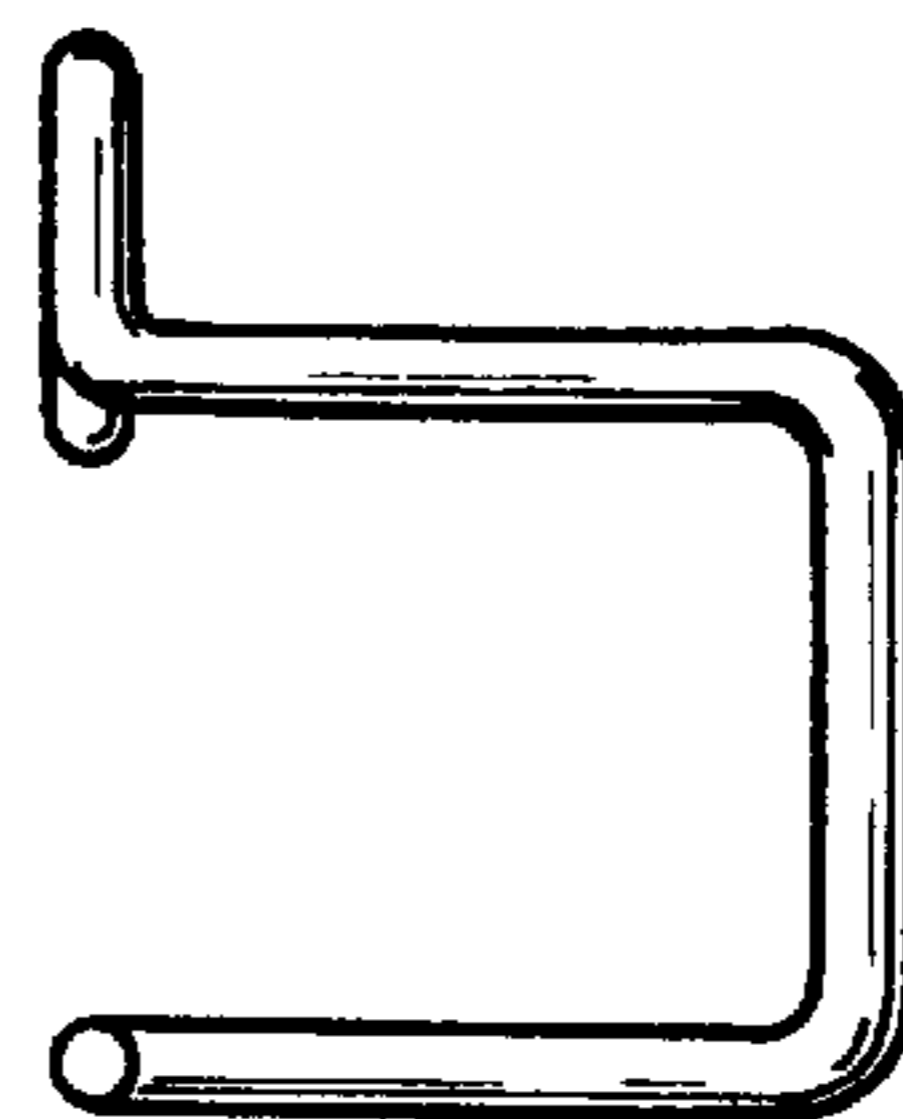


FIG. 7