



US00D405678S

# United States Patent [19] Baker

[11] Patent Number: Des. 405,678

[45] Date of Patent: \*\*Feb. 16, 1999

[54] SLIDING DOOR SECURITY BRACKET

[76] Inventor: Patrick A. Baker, 3330 46th Ter. East, Bradenton, Fla. 34203

[\*\*] Term: 14 Years

[21] Appl. No.: 81,665

[22] Filed: Dec. 10, 1997

[51] LOC (6) Cl. .... 08-07

[52] U.S. Cl. .... D8/331

[58] Field of Search ..... D8/330, 331, 343; 292/300, DIG. 46, DIG. 60, DIG. 47

- 4,062,576 12/1977 Jennings et al. .
- 4,084,290 4/1978 Lymar et al. .
- 4,341,042 7/1982 Schulz .
- 4,379,576 4/1983 Blough et al. .
- 4,478,006 10/1984 Johnson, Jr. .
- 4,526,412 7/1985 Gist .
- 4,530,531 7/1985 Mantihi .
- 5,228,733 7/1993 Winters .

Primary Examiner—Brian N. Vinson  
Attorney, Agent, or Firm—Charles J. Prescott

[57] CLAIM

The ornamental design for a sliding door security bracket, as shown and described.

DESCRIPTION

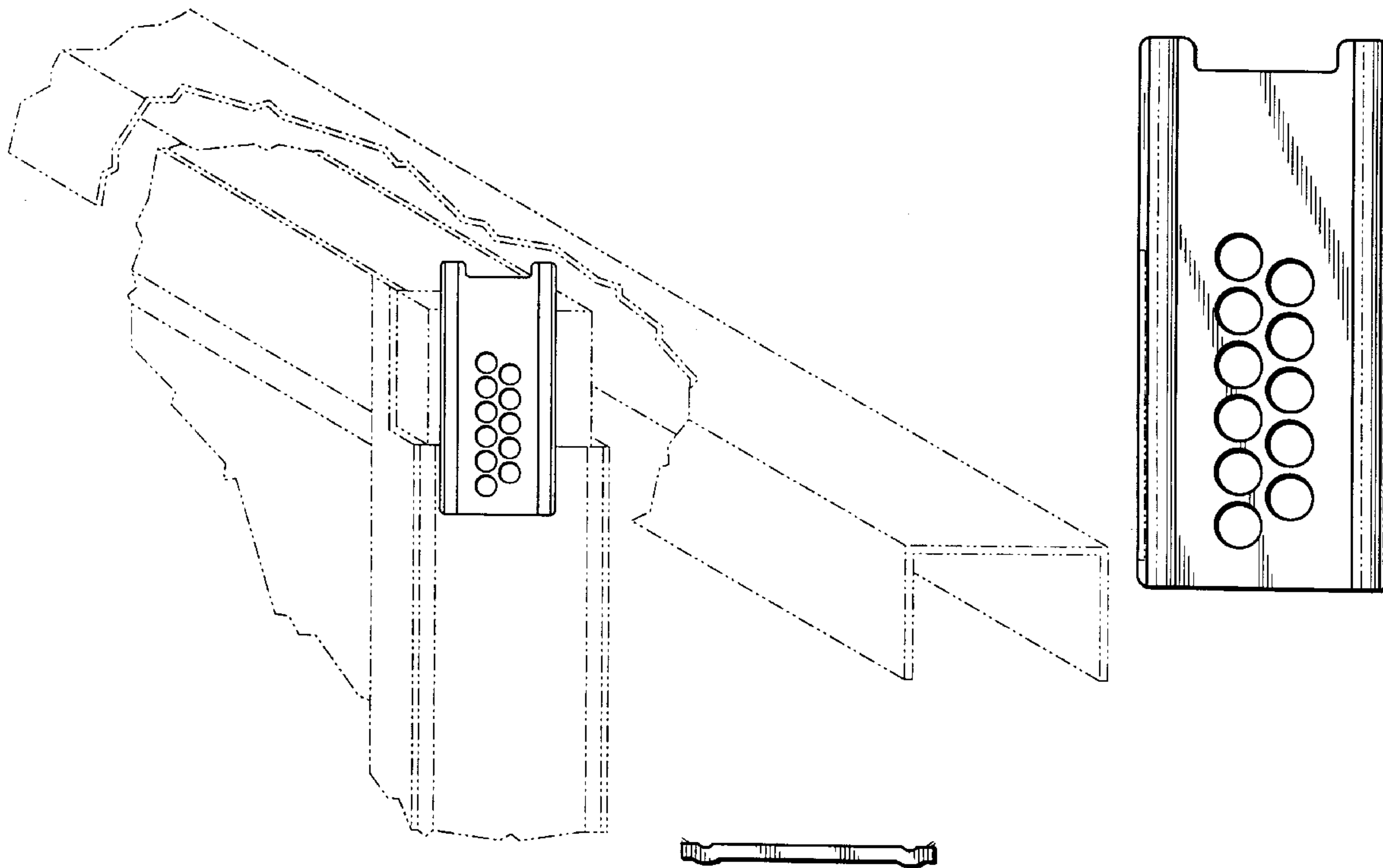
FIG. 1 is a front elevational view of a sliding door security bracket showing my new design; FIG. 2 is a top plan view thereof; FIG. 3 is a side elevational view thereof, the side opposite being a mirror image of that shown; and, FIG. 4 is a rear elevational view thereof.

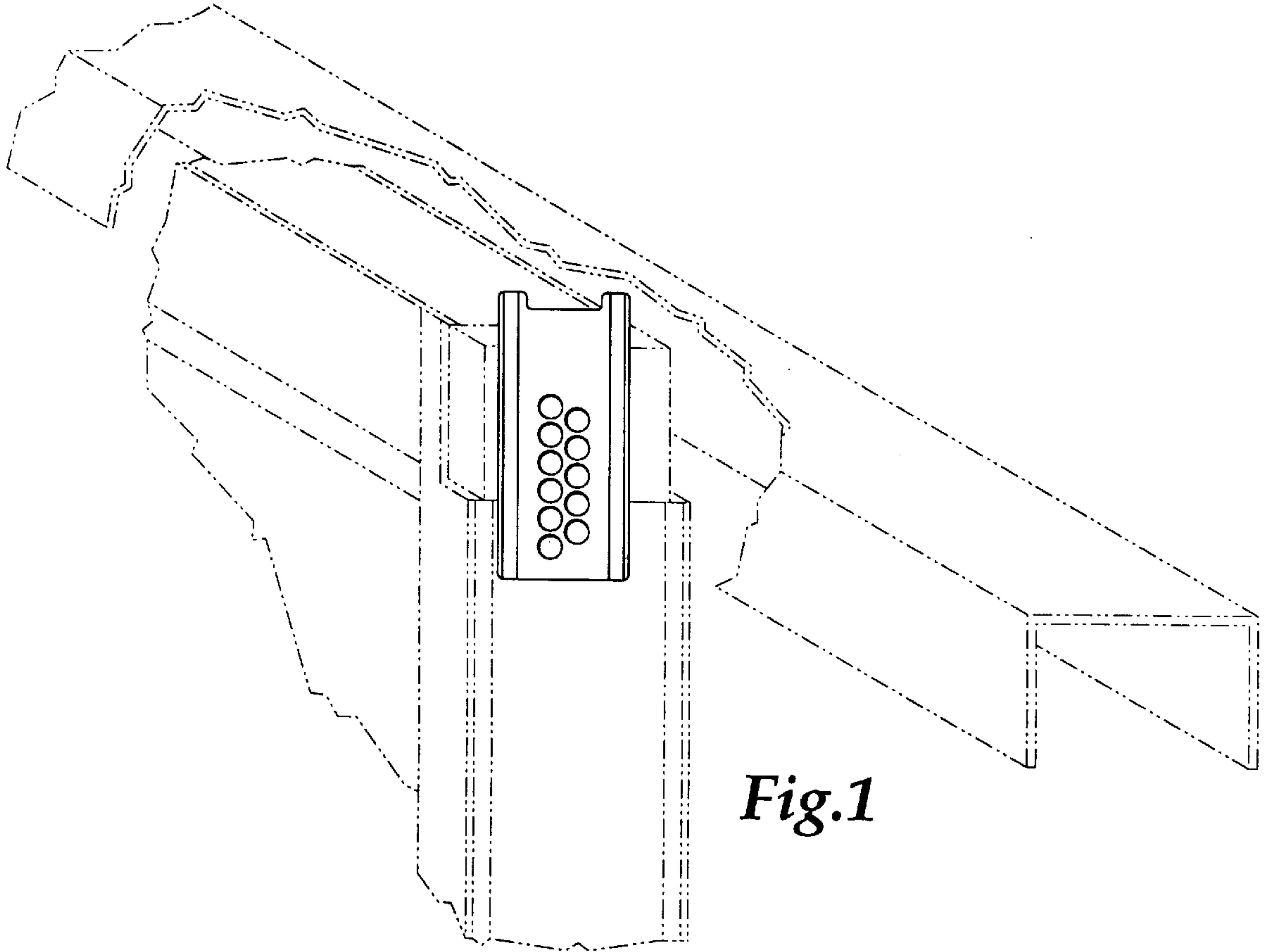
1 Claim, 1 Drawing Sheet

[56] References Cited

U.S. PATENT DOCUMENTS

- D. 389,029 1/1998 Grookett, Jr. .... D8/331
- 3,427,059 2/1969 Adickes .
- 3,622,190 11/1971 Mohun .
- 3,714,738 2/1973 Koslow et al. .
- 3,975,041 8/1976 Edison .
- 4,054,308 10/1977 Prohaska .

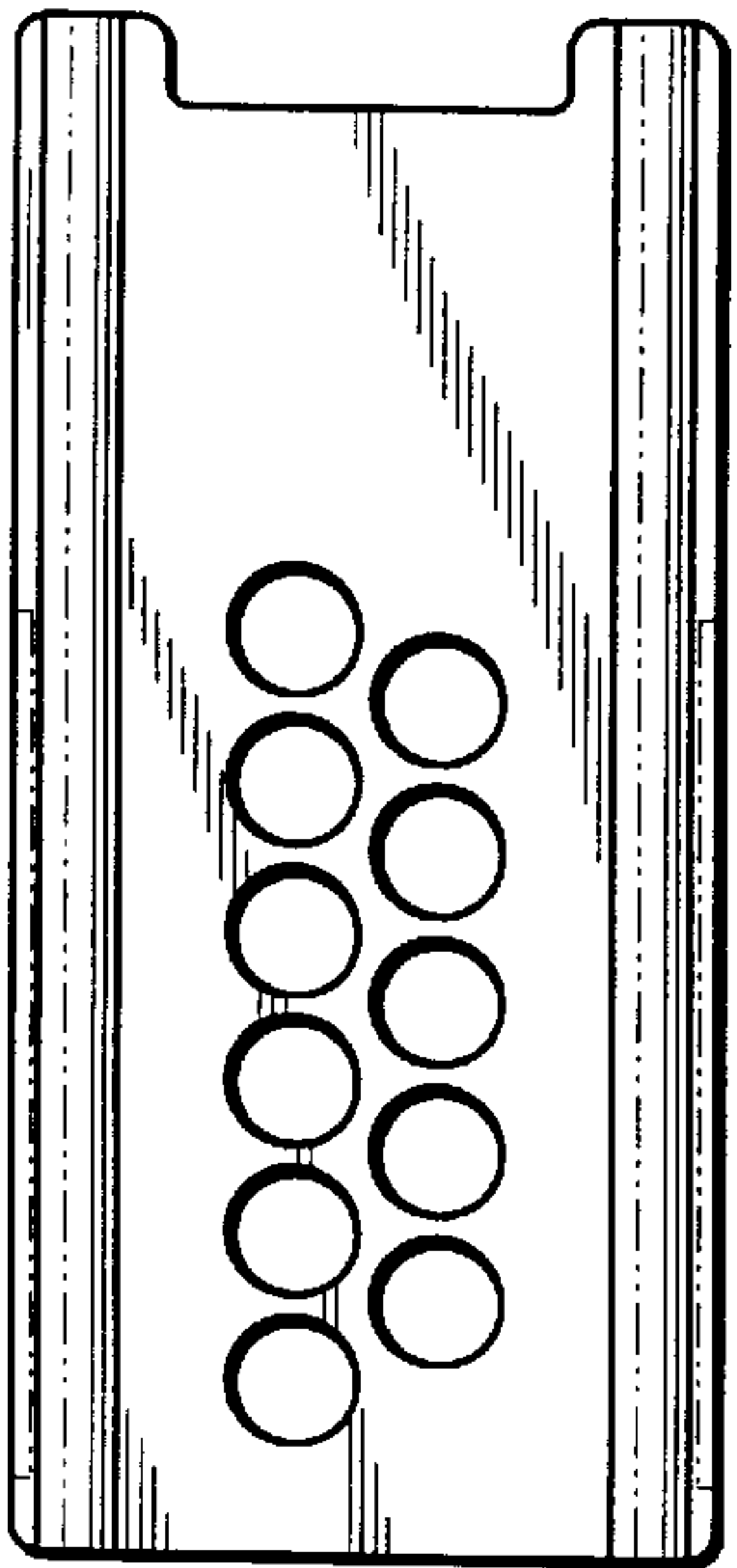




*Fig.1*



*Fig.3*



*Fig.2*



*Fig.4*