



US00D405677S

United States Patent [19] Mosley

[11] **Patent Number: Des. 405,677**

[45] **Date of Patent: **Feb. 16, 1999**

[54] **ERGONOMIC KNIFE HANDLE**

[76] Inventor: **Harold D. Mosley**, P.O. Box 106,
Crawford, Miss. 39743

[**] Term: **14 Years**

[21] Appl. No.: **87,884**

[22] Filed: **May 11, 1998**

Related U.S. Application Data

[62] Division of Ser. No. 67,077, Feb. 27, 1997, Pat. No. Des. 397,018.

[51] **LOC (6) Cl.** **08-05**

[52] **U.S. Cl.** **D8/107**

[58] **Field of Search** D8/107, 51, 14,
D8/99, 5, 93, 94; D7/393, 394, 649, 693;
30/156, 155, 125, 162; 7/167

[56] References Cited

U.S. PATENT DOCUMENTS

D. 207,115	3/1967	Keeslar	D7/394
D. 254,243	2/1980	Florian et al.	D8/98
D. 272,974	3/1984	Ryser	D7/394
D. 359,427	6/1995	Birkholz	D8/5
D. 374,805	10/1996	Moffatt et al.	D8/107
D. 397,018	8/1998	Mosley	D8/107

Primary Examiner—Freda Nunn

Attorney, Agent, or Firm—Walker, McKenzie & Walker, P.C.

[57] CLAIM

The ornamental design for an ergonomic knife handle, as shown and described.

DESCRIPTION

FIG. 1 is a front elevation view of an ergonomic knife handle, showing my new design, wherein the broken line portions of the drawing are for illustrative purposes only and form no part of the claimed design, the rear elevation being a mirror image thereof;

FIG. 2 is a top plan view of the ergonomic knife handle of FIG. 1, the bottom being a mirror image thereof;

FIG. 3 is a left end elevation of the ergonomic knife handle of FIG. 1;

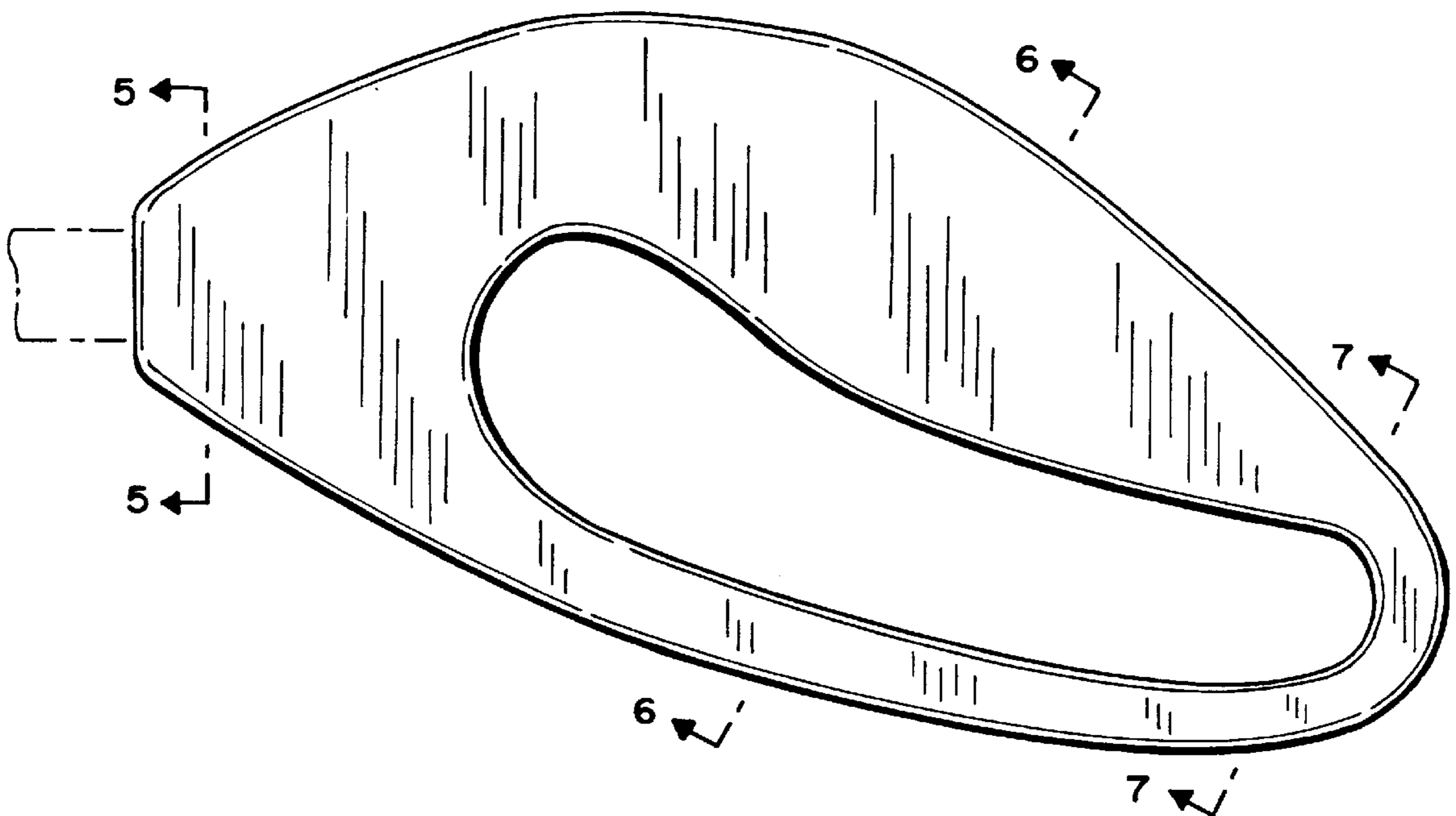
FIG. 4 is a right end elevation of the ergonomic knife handle of FIG. 1;

FIG. 5 is a sectional view as taken on line 5—5 of FIG. 1 to more clearly show certain ornamental features of the ergonomic knife handle of FIG. 1;

FIG. 6 is a sectional view as taken on line 6—6 of FIG. 1 to more clearly show certain ornamental features of the ergonomic knife handle of FIG. 1; and,

FIG. 7 is a sectional view as taken on line 7—7 of FIG. 1 to more clearly show certain ornamental features of the ergonomic knife handle of FIG. 1 and with portions thereof omitted for clarity.

1 Claim, 1 Drawing Sheet



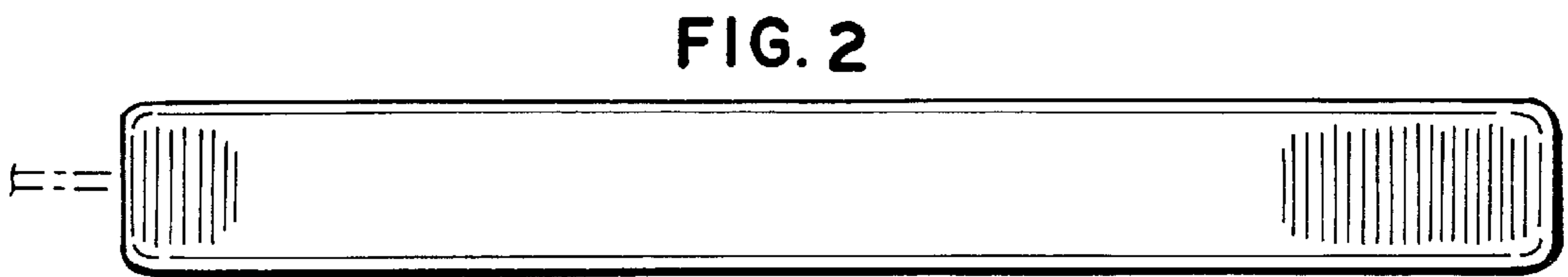
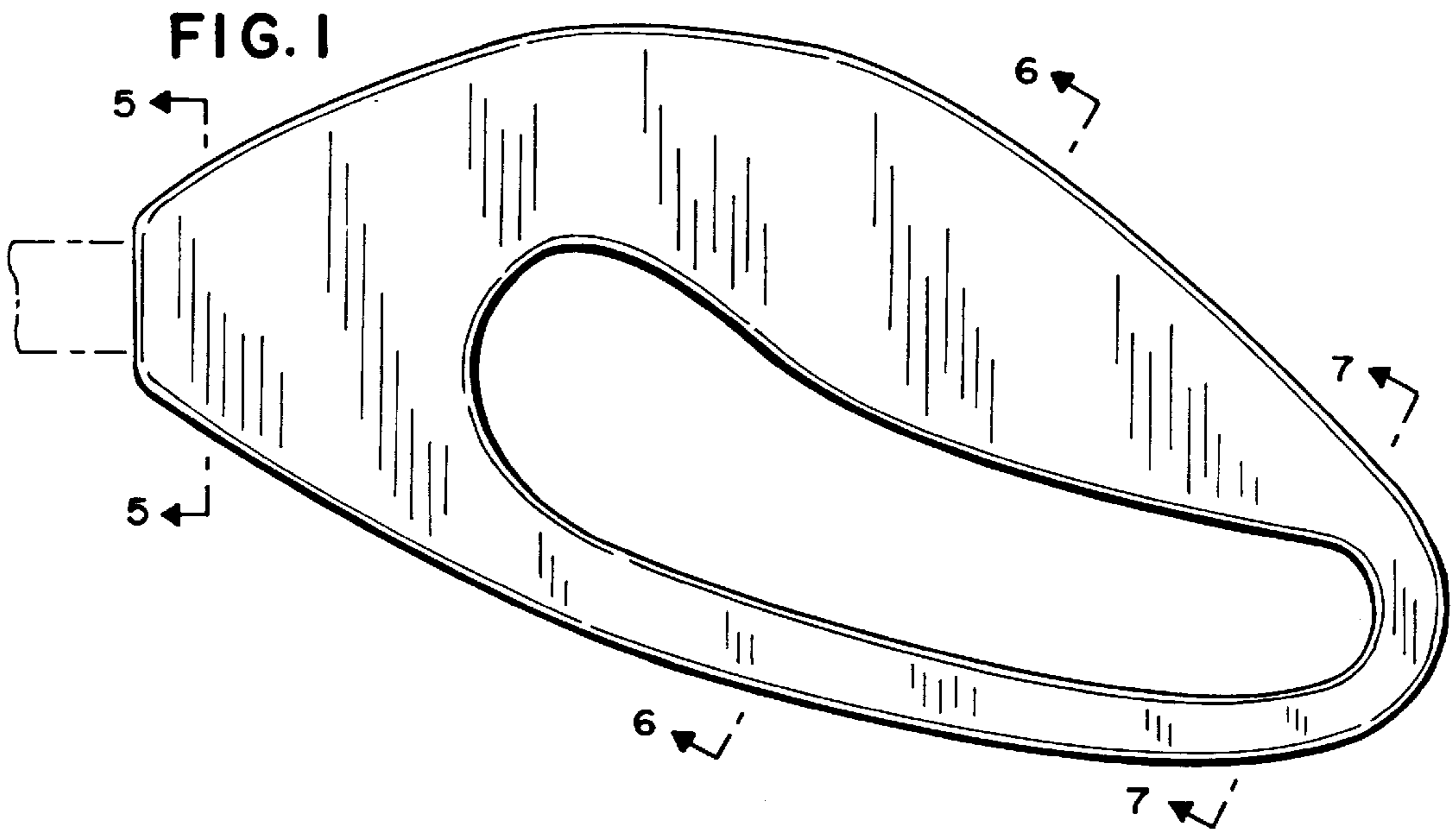


FIG. 3



FIG. 4

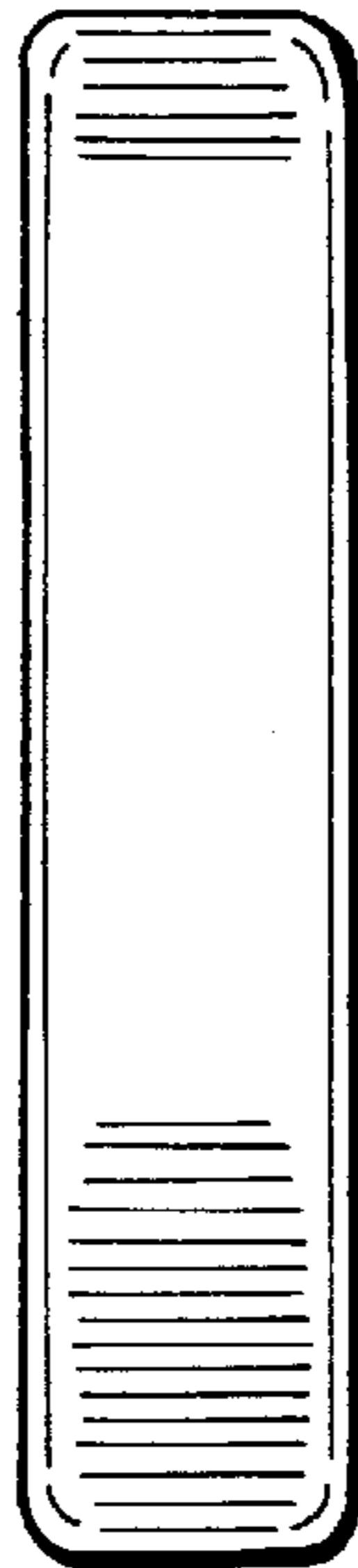


FIG. 5

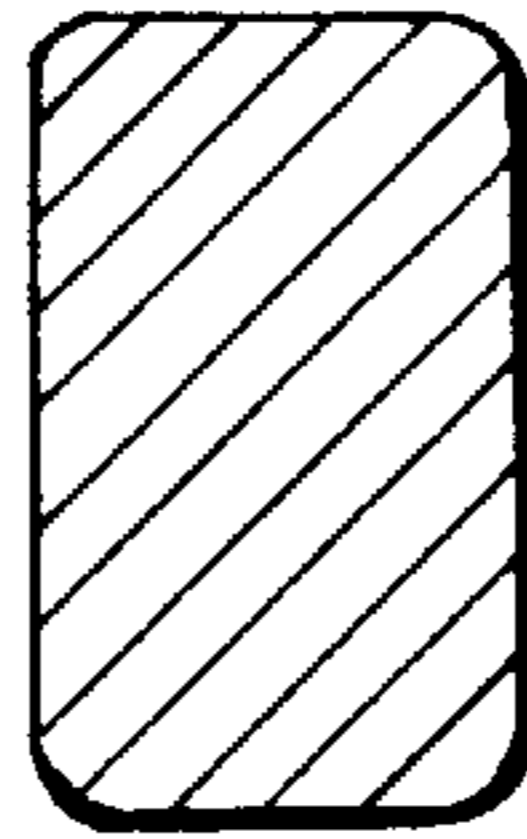


FIG. 6

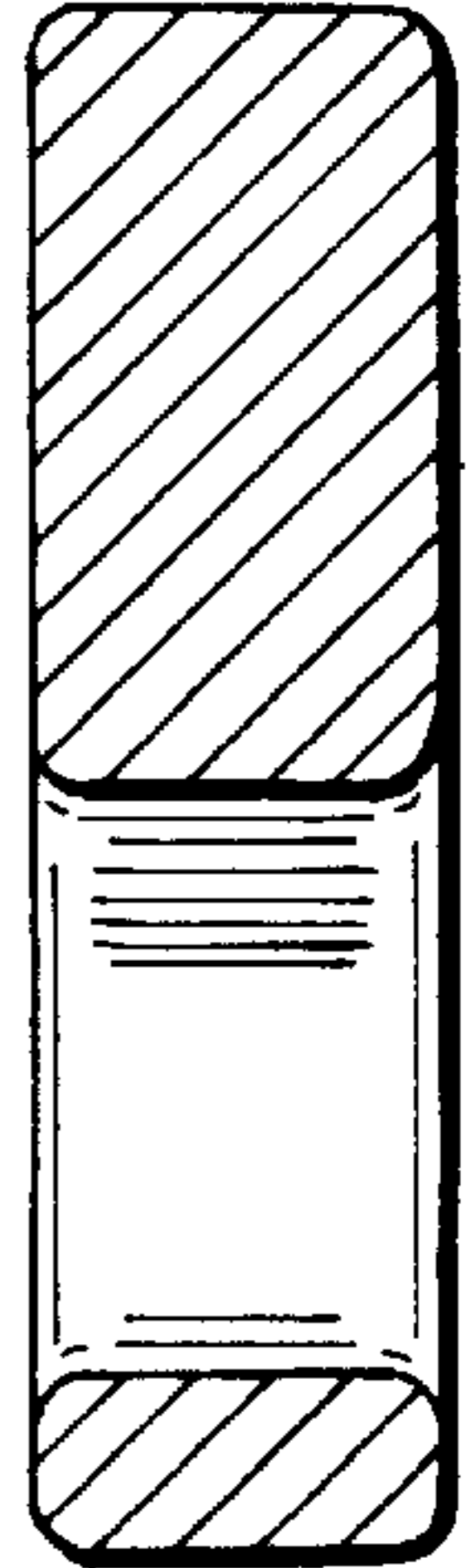


FIG. 7

