



US00D405676S

**United States Patent** [19]  
**Rivera**

[11] **Patent Number: Des. 405,676**

[45] **Date of Patent: \*\*Feb. 16, 1999**

[54] **PORTION OF A TOOL HANDLE**  
[75] Inventor: **Benjamin C. Rivera**, West Linn, Oreg.  
[73] Assignee: **Leatherman Tool Group, Inc.**,  
Portland, Oreg.  
[\*\*] Term: **14 Years**

[21] Appl. No.: **79,220**  
[22] Filed: **Oct. 30, 1997**  
[51] **LOC (6) Cl.** ..... **08-05**  
[52] **U.S. Cl.** ..... **D8/107**  
[58] **Field of Search** ..... D8/4, 107, 99;  
7/118; 30/125, 155, 156; 81/440, 427.5

[56] **References Cited**  
**U.S. PATENT DOCUMENTS**  
254,404 2/1882 Story ..... 30/155  
D. 309,409 7/1990 Kiernan ..... D8/4  
D. 319,767 9/1991 Sargent ..... D8/99  
D. 382,190 8/1997 Blackston et al. .... D8/107  
2,824,368 2/1958 Bassett ..... D8/99 X

*Primary Examiner*—Freda Nunn  
*Attorney, Agent, or Firm*—Chernoff, Vilhauer, McClung & Stenzel

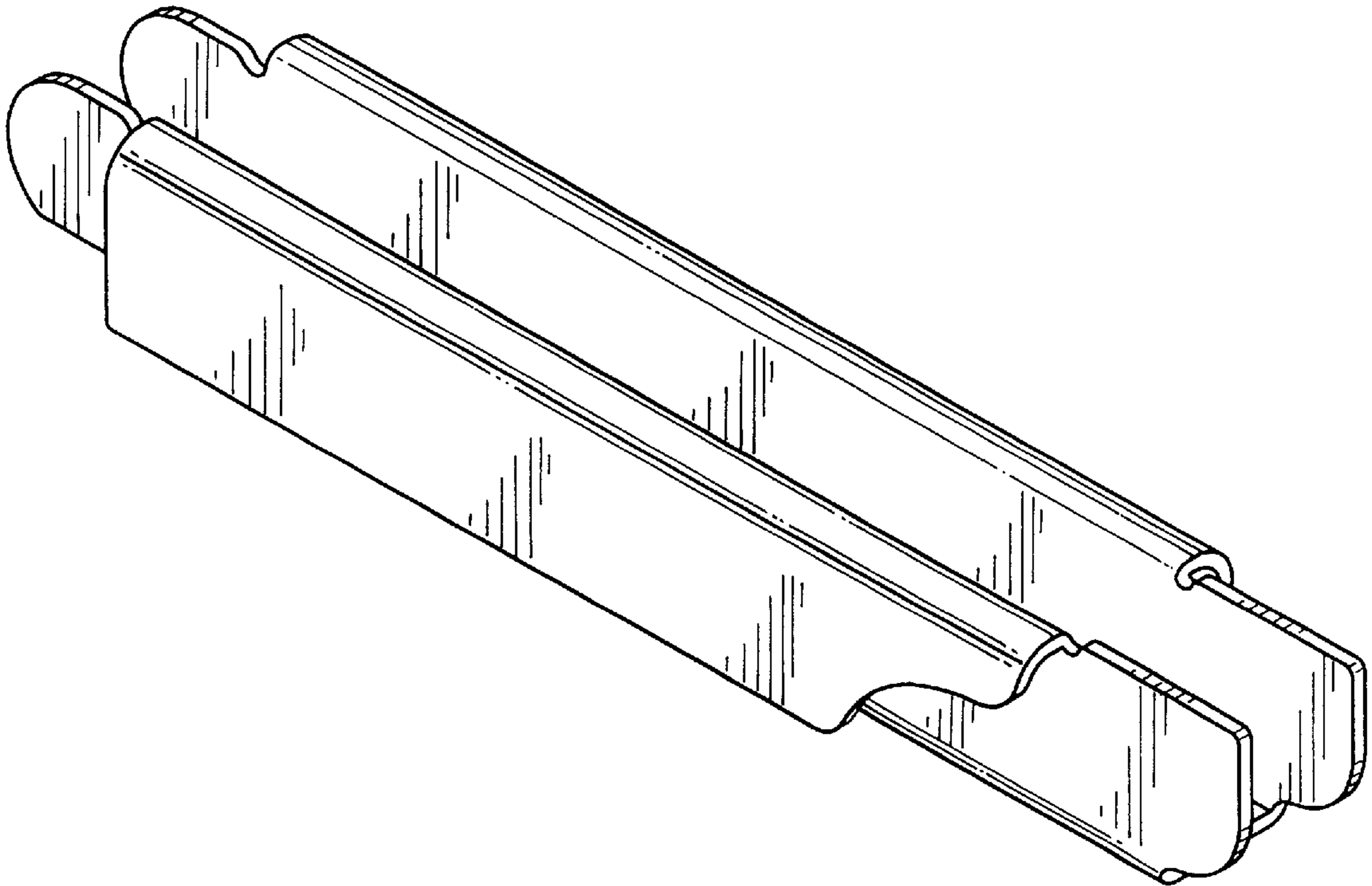
[57] **CLAIM**

The ornamental design for a portion of a tool handle, as shown and described.

**DESCRIPTION**

FIG. 1 is a side elevational view of a portion of a tool handle embodying my new design, shown including in a multipurpose tool with portions for the multipurpose tool shown in broken lines, for illustrative purposes only, and forming no part of the claimed design;  
FIG. 2 is an isometric view thereof;  
FIG. 3 is a right side elevational view thereof;  
FIG. 4 is a top plan view thereof;  
FIG. 5 is a bottom plan view thereof;  
FIG. 6 is a left side elevational view thereof;  
FIG. 7 is an end view thereof taken from the right end of FIG. 3; and,  
FIG. 8 is an end view thereof taken from the left end of FIG. 9.

**1 Claim, 2 Drawing Sheets**



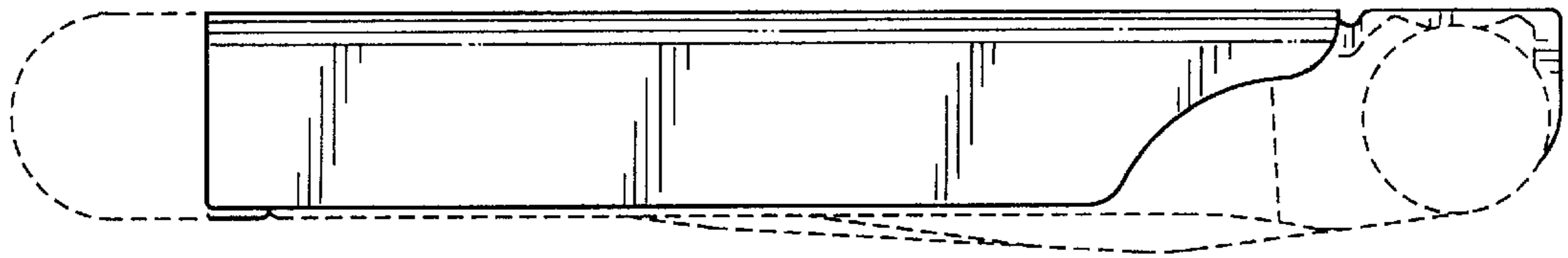


FIG.1

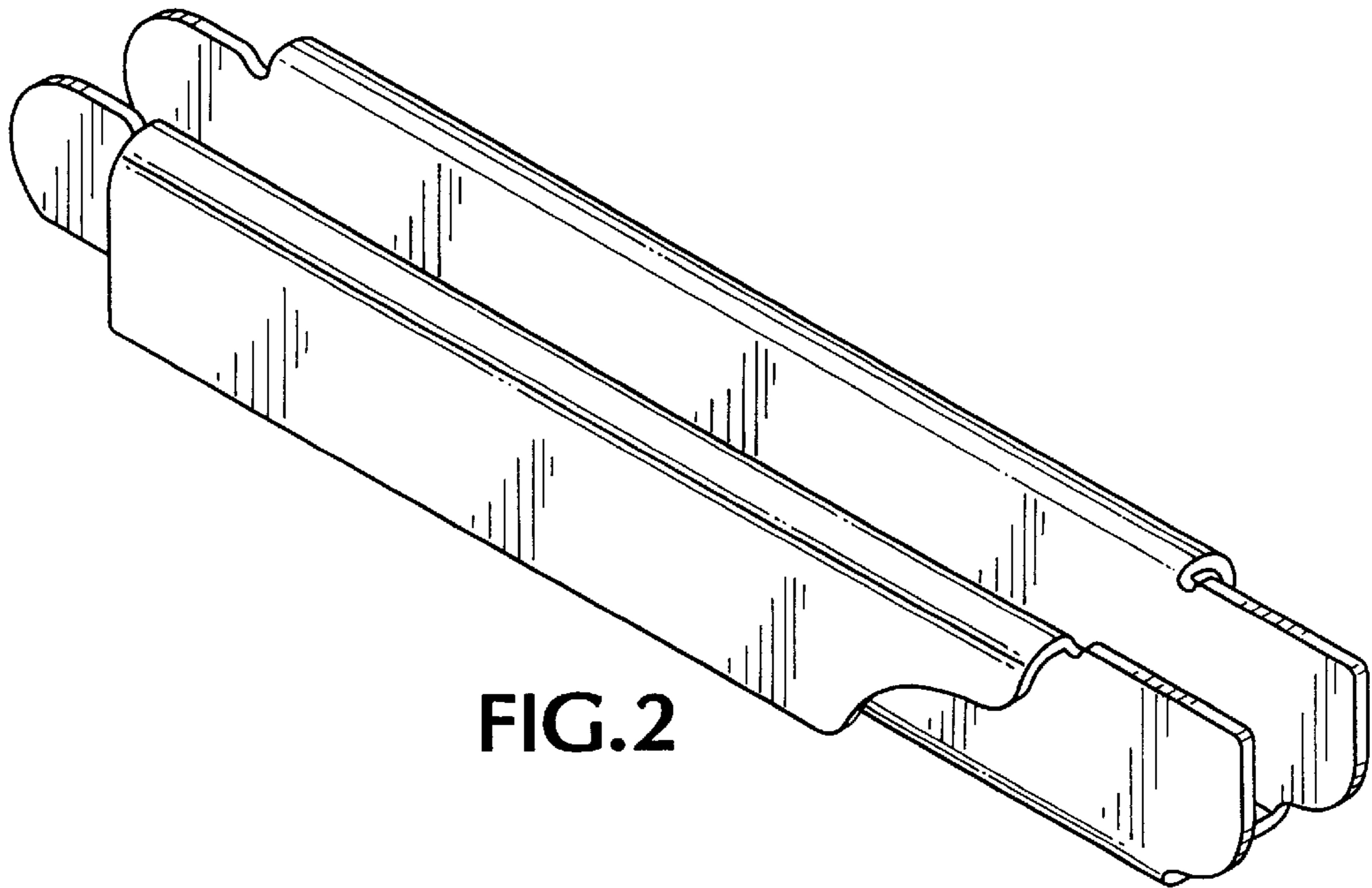


FIG.2

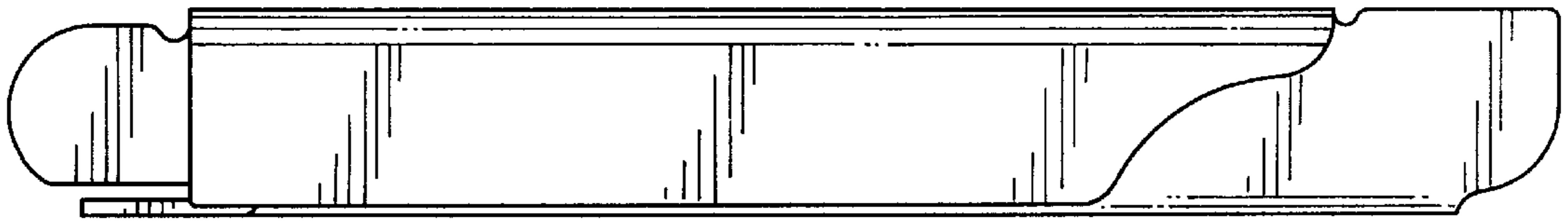


FIG. 3

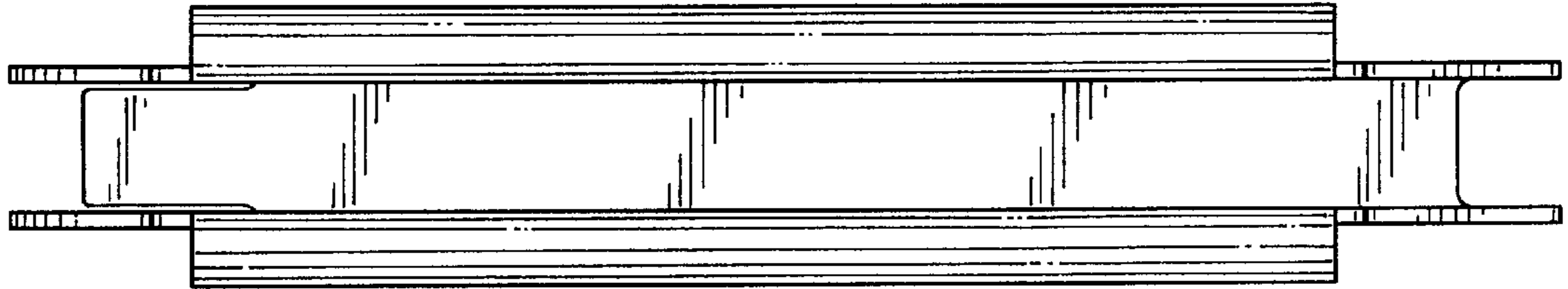


FIG. 4

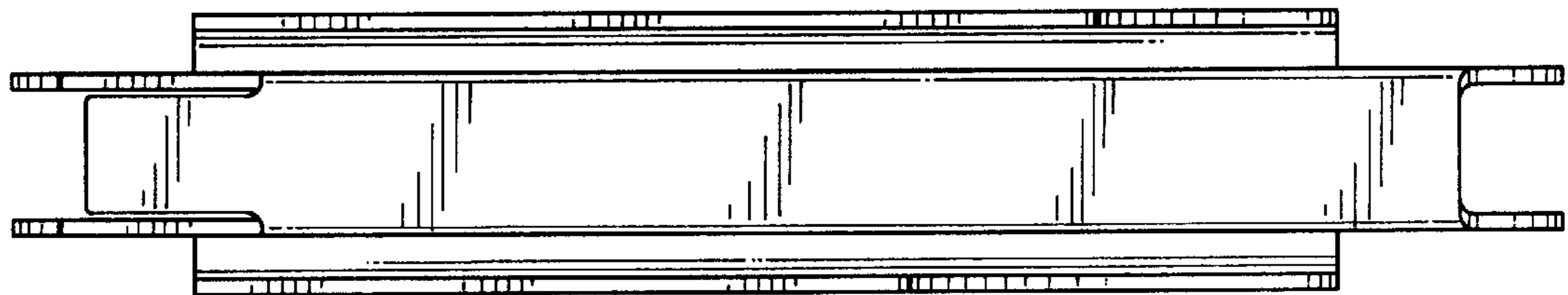


FIG. 5

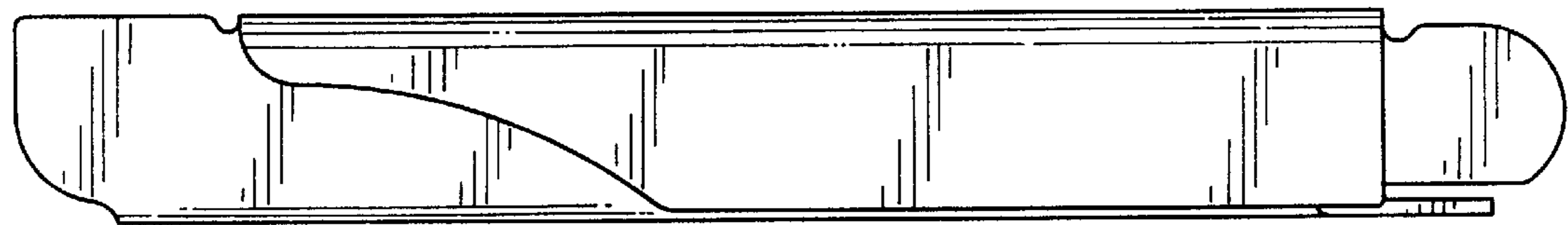


FIG. 6

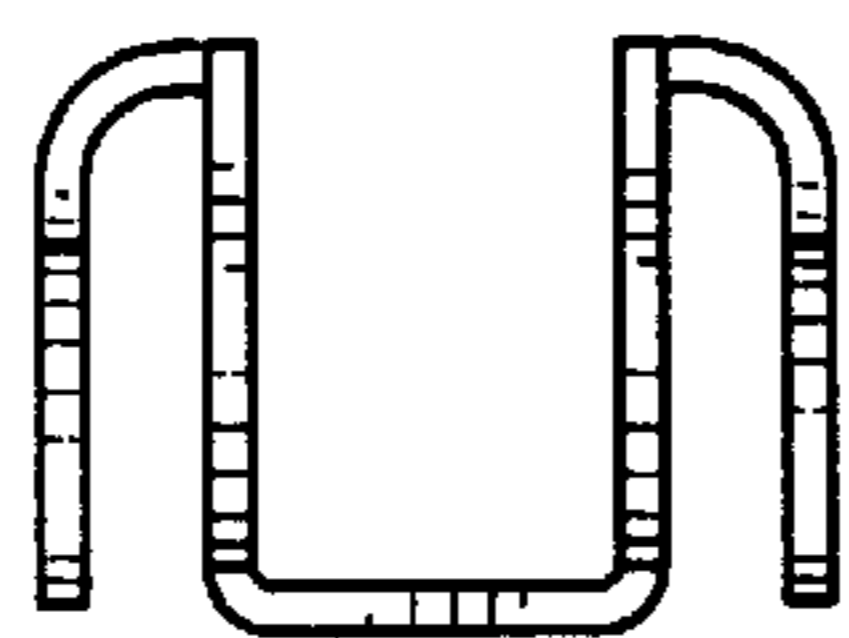


FIG. 7

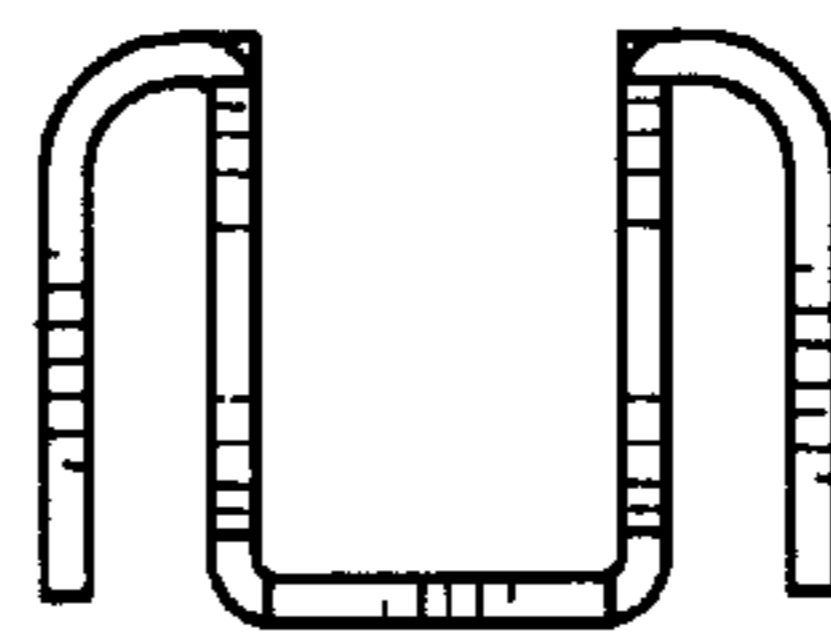


FIG. 8

UNITED STATES PATENT AND TRADEMARK OFFICE  
**CERTIFICATE OF CORRECTION**

PATENT NO. : D405,676  
APPLICATION NO. : 29/079220  
DATED : February 16, 1999  
INVENTOR(S) : Benjamin C. Rivera et al.

Page 1 of 1

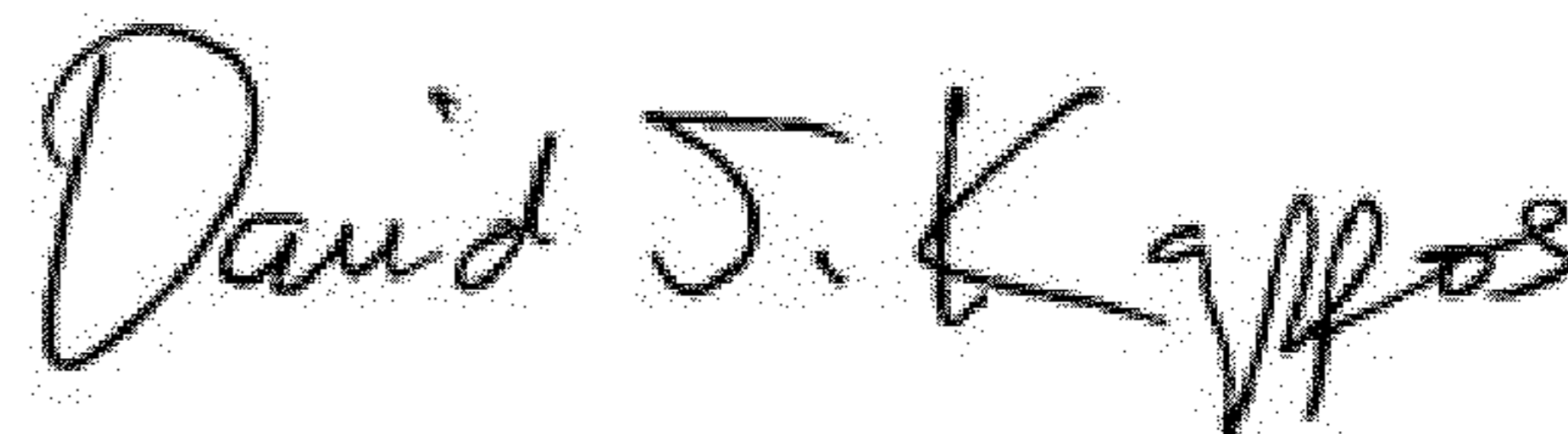
It is certified that error appears in the above-identified patent and that said Letters Patent is hereby corrected as shown below:

Title Page

In the Description, line 2, "including" should read -- included --.

In the Description, lines 13-14, "FIG. 9" should read -- FIG. 3 --.

Signed and Sealed this  
Third Day of July, 2012

A handwritten signature in black ink that reads "David J. Kappos". The signature is written in a cursive, slightly slanted style.

David J. Kappos  
*Director of the United States Patent and Trademark Office*