



US00D405675S

United States Patent [19]
Rivera

[11] **Patent Number: Des. 405,675**

[45] **Date of Patent: **Feb. 16, 1999**

[54] **PORTION OF A HANDLE FOR A TOOL**

[75] Inventor: **Benjamin C. Rivera**, West Linn, Oreg.

[73] Assignee: **Leatherman Tool Group, Inc.**,
Portland, Oreg.

[**] Term: **14 Years**

[21] Appl. No.: **79,218**

[22] Filed: **Oct. 30, 1997**

[51] **LOC (6) Cl.** **08-05**

[52] **U.S. Cl.** **D8/107**

[58] **Field of Search** D8/107, 99, 4;
7/118; 30/125, 156, 155; 81/427.5, 440

[56] **References Cited**

U.S. PATENT DOCUMENTS

254,404	2/1882	Story	30/155
D. 309,409	7/1990	Kiernan	D8/4
D. 319,767	9/1991	Sargent	D8/99
D. 382,190	8/1997	Blackston et al.	D8/107
2,824,368	2/1958	Bassett	D8/99 X

Primary Examiner—Freda Nunn
Attorney, Agent, or Firm—Chernoff, Vilhauer, McClung & Stenzel

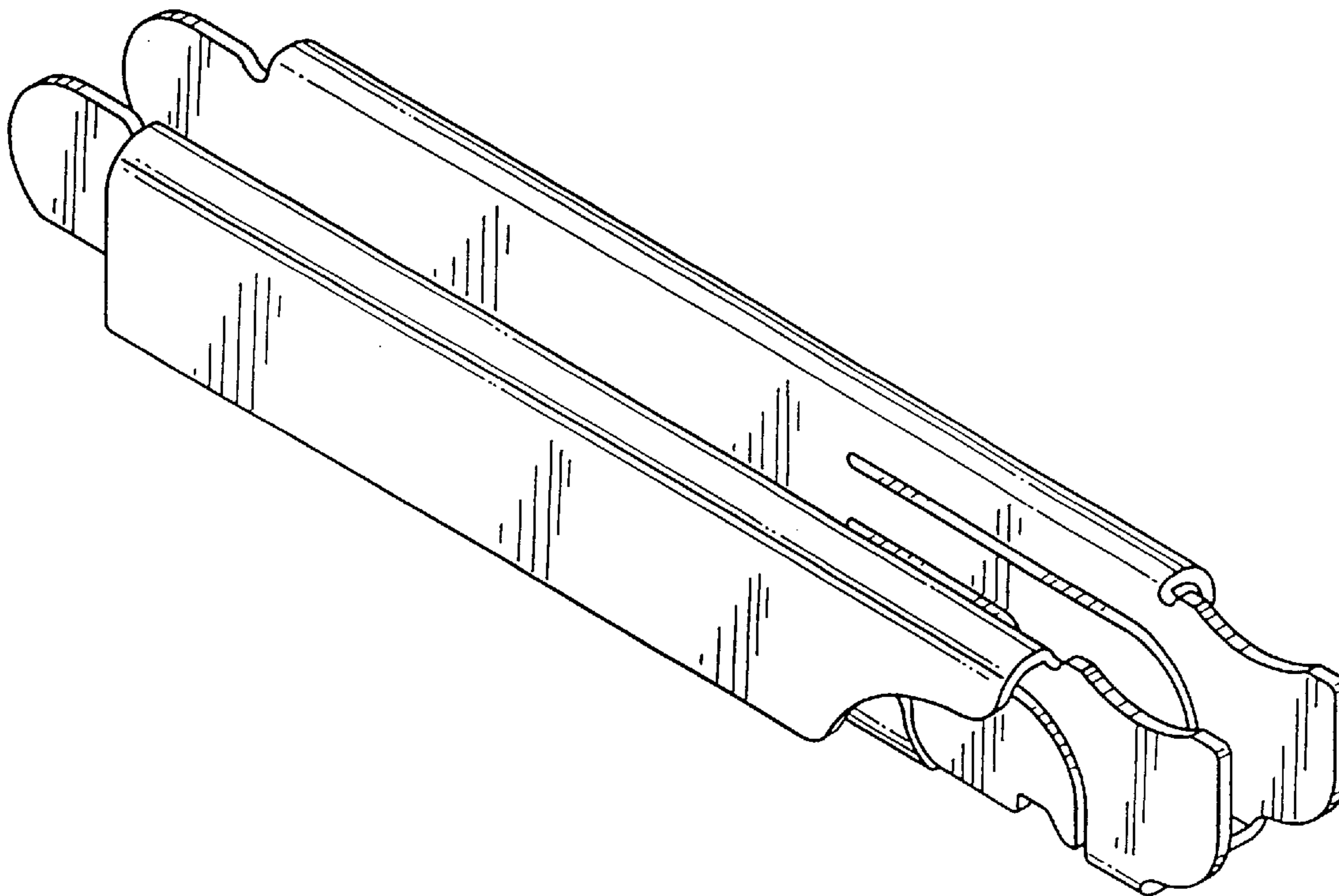
[57] **CLAIM**

The ornamental design for a portion of a handle for a tool, as shown and described.

DESCRIPTION

FIG. 1 is a side elevational view of a portion of a handle for a tool embodying my new design, shown included in a multipurpose tool with portions of the multipurpose tool shown in broken lines, for illustrative purposes only, and forming no part of the claimed design;
FIG. 2 is an isometric view thereof;
FIG. 3 is a right side elevational view thereof;
FIG. 4 is a top plan view thereof;
FIG. 5 is a bottom plan view thereof;
FIG. 6 is a left side elevational view thereof;
FIG. 7 is an end view thereof taken from the right end of FIG. 3; and,
FIG. 8 is an end view thereof taken from the left end of FIG. 3.

1 Claim, 2 Drawing Sheets



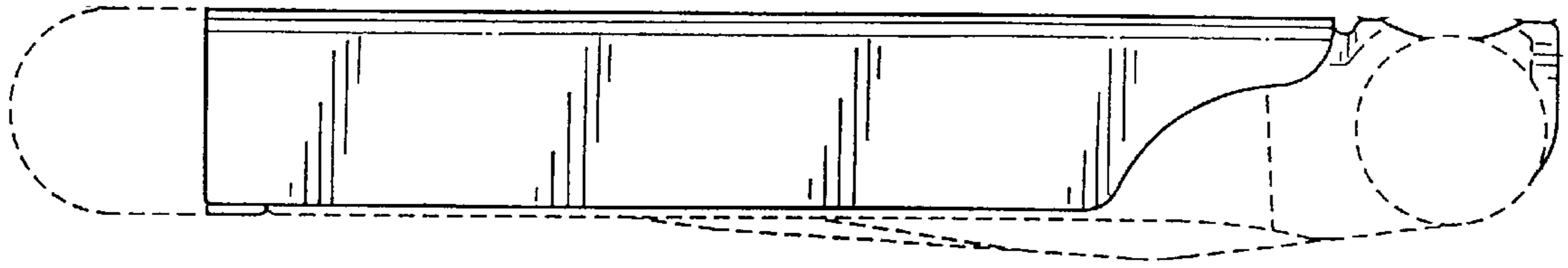


FIG.1

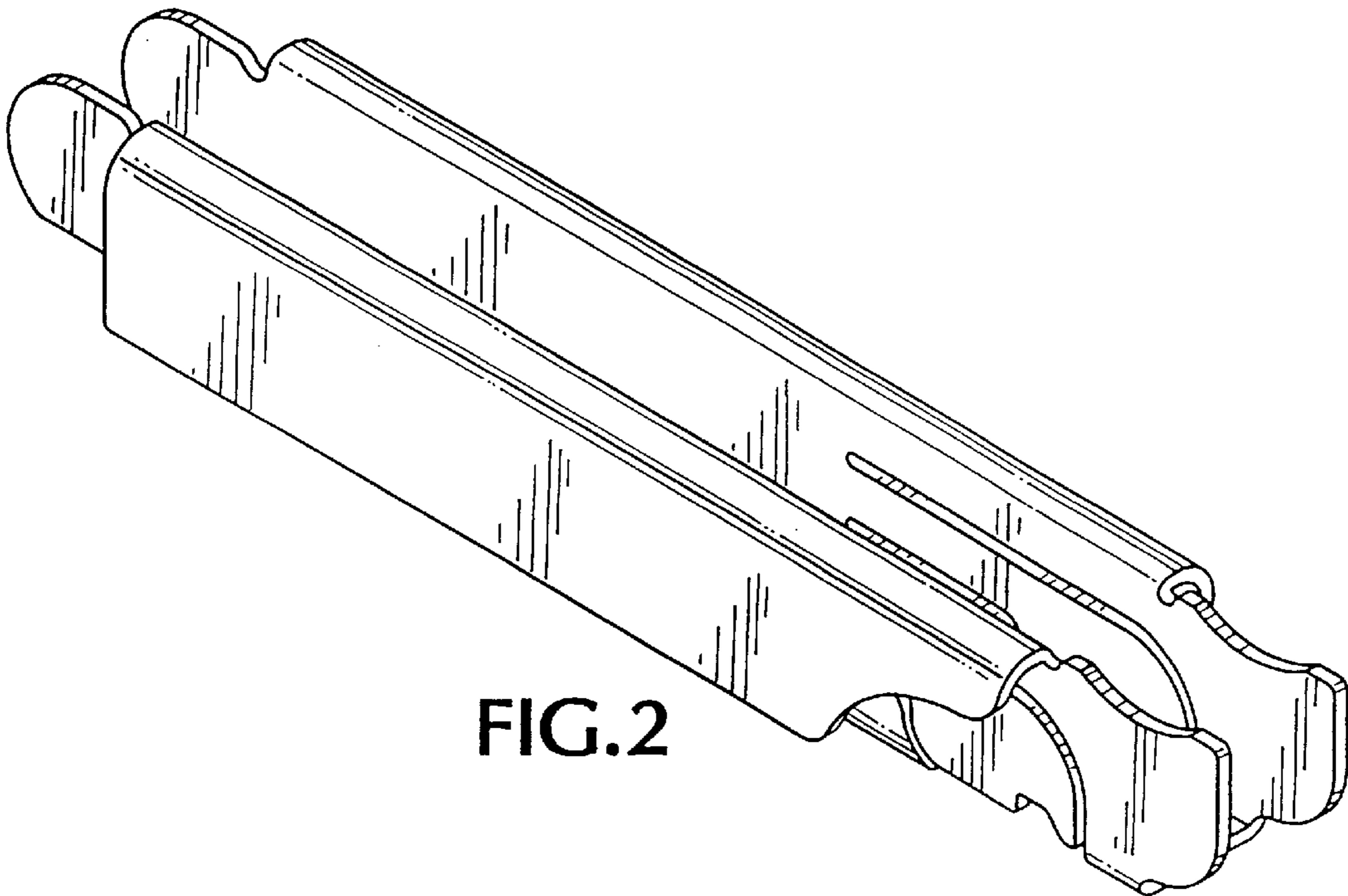


FIG.2

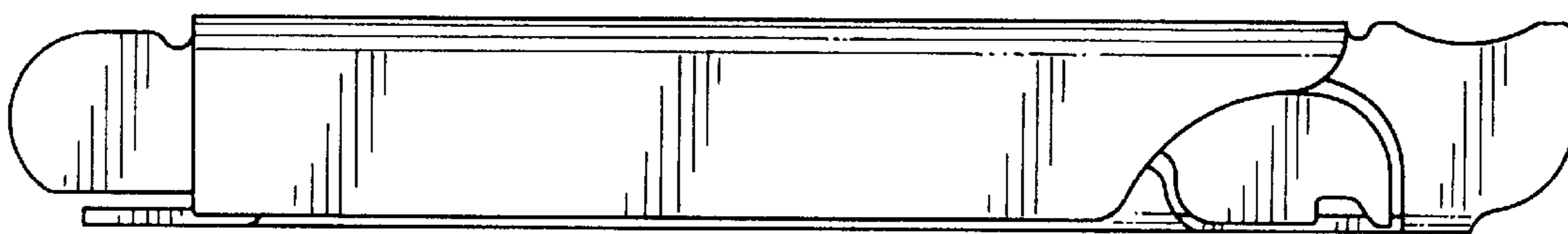


FIG. 3

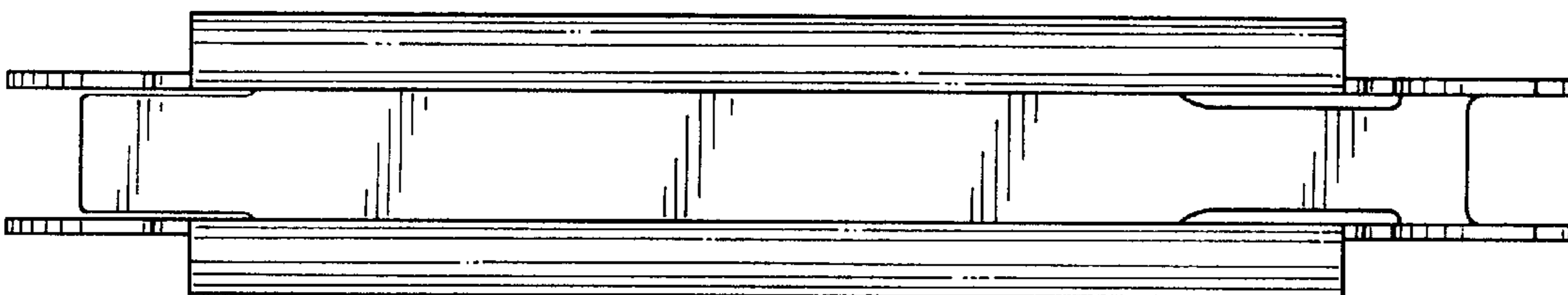


FIG. 4

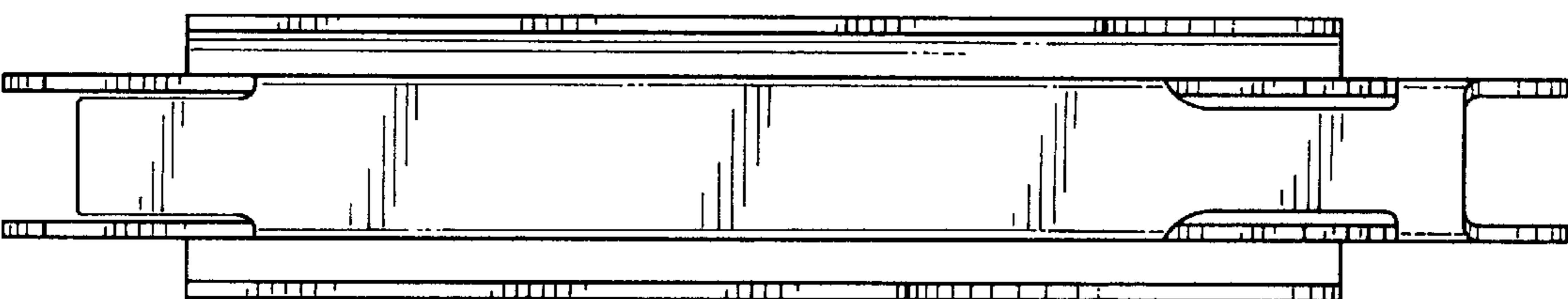


FIG. 5



FIG. 6

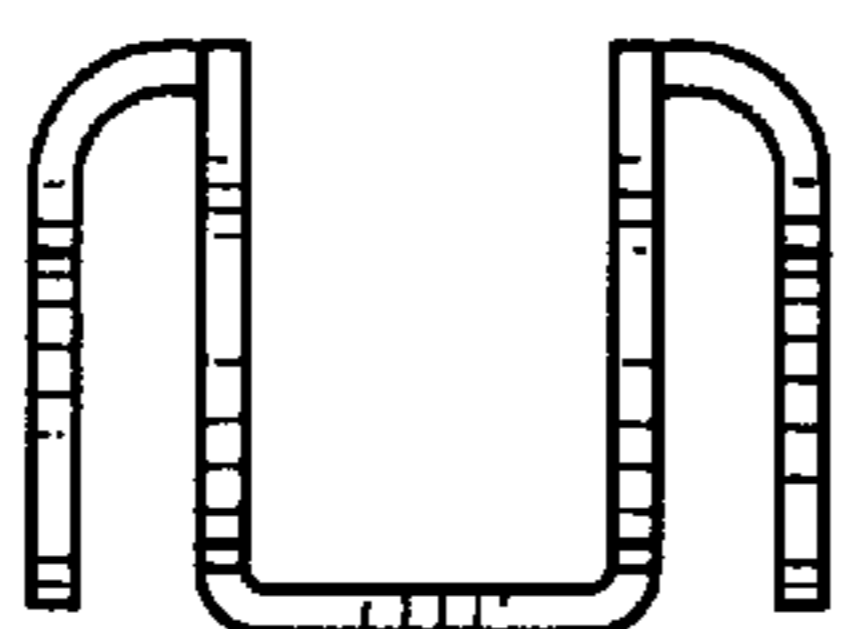


FIG. 7

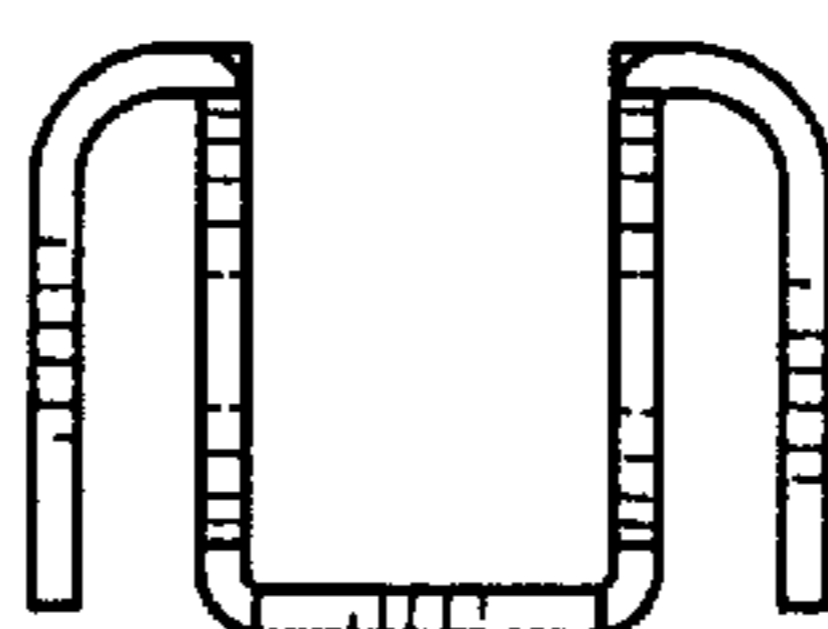


FIG. 8