



US00D405674S

United States Patent [19]
Reidenbach

[11] **Patent Number: Des. 405,674**

[45] **Date of Patent: **Feb. 16, 1999**

[54] **ENVELOPE OPENER**

DESCRIPTION

[76] Inventor: **Bryan L. Reidenbach**, 26 Northern Dr.,
Millersburg, Ohio 44654

[**] Term: **14 Years**

[21] Appl. No.: **87,194**

[22] Filed: **Apr. 28, 1998**

[51] **LOC (6) Cl.** **08-03**

[52] **U.S. Cl.** **D8/102; D19/65; D8/98**

[58] **Field of Search** D8/98, 102, 103,
D8/104, 105; D19/65, 72, 100; 30/2, 278,
279.2, 280, 286, 287, 289, 294, 299, DIG. 3

[56] **References Cited**

U.S. PATENT DOCUMENTS

D. 323,278	1/1992	Zwick	D8/98
D. 329,798	9/1992	Kramer	D8/102
D. 365,267	12/1995	Goessling, Jr. et al.	D8/102
5,003,696	4/1991	Spehar	30/294 X
5,561,905	10/1996	Sherman	30/280
5,758,423	6/1998	Eversole et al.	30/279.2

Primary Examiner—Martie K. Holtje
Attorney, Agent, or Firm—Sand & Sebolt

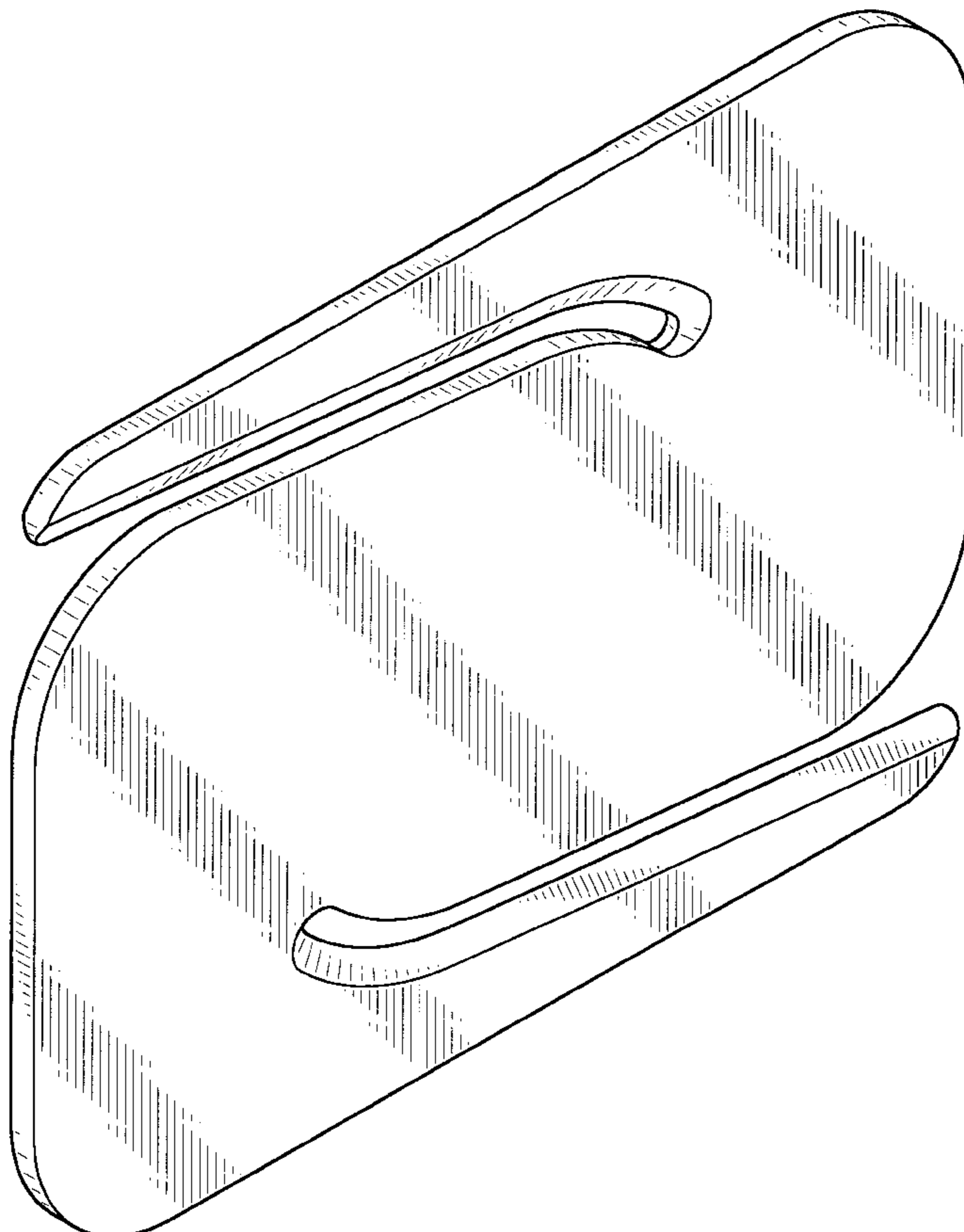
[57] **CLAIM**

The ornamental design for an envelope opener, as shown and described.

FIG. 1 is a front perspective view of the first embodiment of the envelope opener;
 FIG. 2 is a front elevational view thereof;
 FIG. 3 is a top plan view thereof;
 FIG. 4 is a bottom view thereof;
 FIG. 5 is a left side elevational view thereof;
 FIG. 6 is a right side elevational view thereof;
 FIG. 7 is a rear elevational view thereof;
 FIG. 8 is a front perspective view of the second embodiment of the envelope opener;
 FIG. 9 is a front elevational view thereof;
 FIG. 10 is a top plan view thereof;
 FIG. 11 is a bottom view thereof;
 FIG. 12 is a left side elevational view thereof;
 FIG. 13 is a right side elevational view thereof;
 FIG. 14 is a rear elevational view thereof;
 FIG. 15 is a front perspective view of the third embodiment of the envelope opener;
 FIG. 16 is a front elevational view thereof;
 FIG. 17 is a top plan view thereof;
 FIG. 18 is a bottom view thereof;
 FIG. 19 is a left side elevational view thereof;
 FIG. 20 is a right side elevational view thereof; and,
 FIG. 21 is a rear elevational view thereof.

The writing instrument depicted by means of broken lines in FIGS. 15, and 19 through 21, has been shown for illustrative purposes only and forms no part of the claimed design.

1 Claim, 9 Drawing Sheets



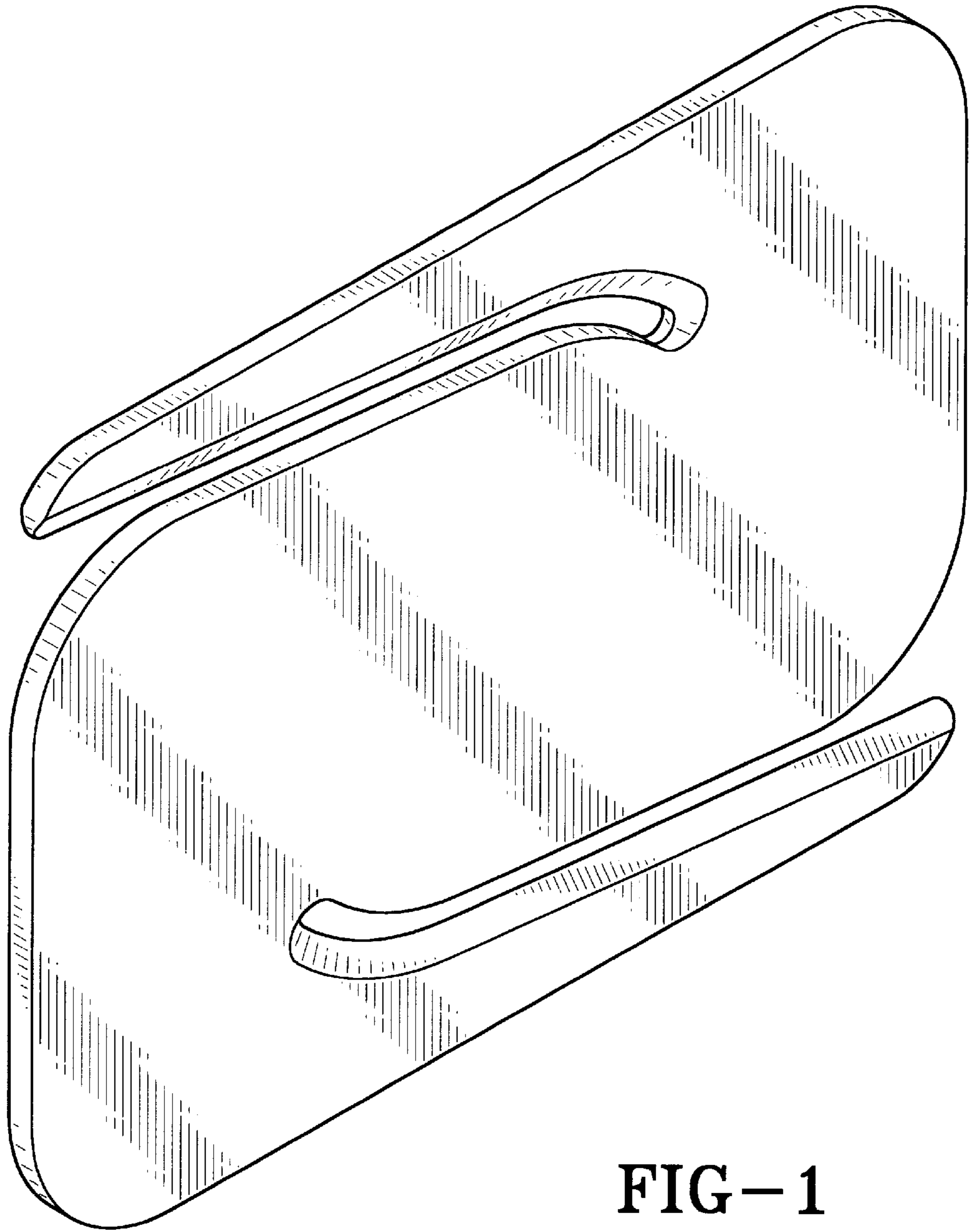


FIG-1



FIG-3

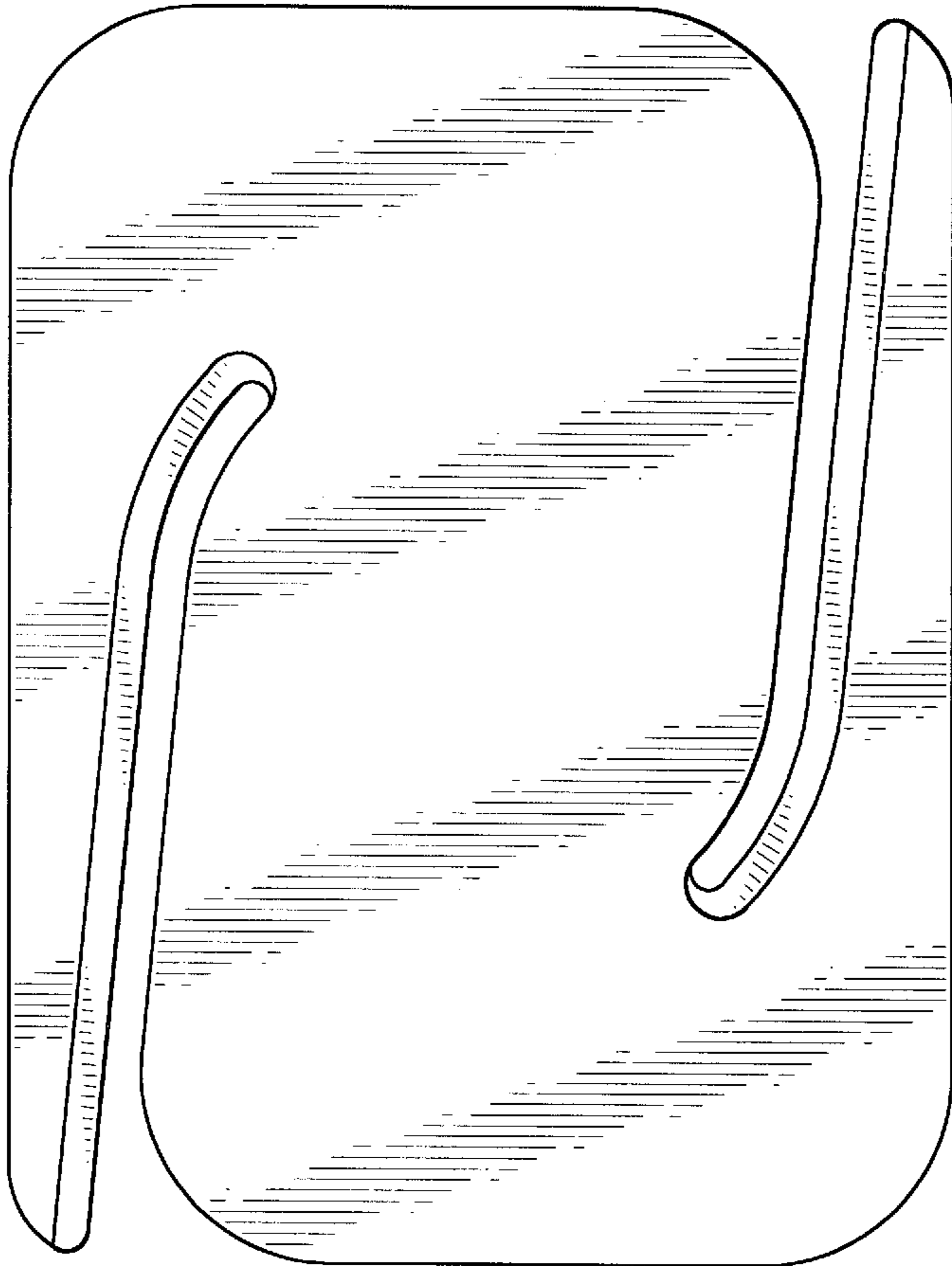


FIG-2

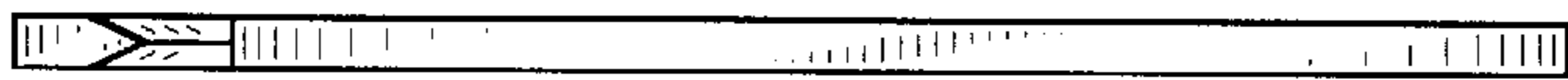


FIG-5



FIG-6



FIG-4

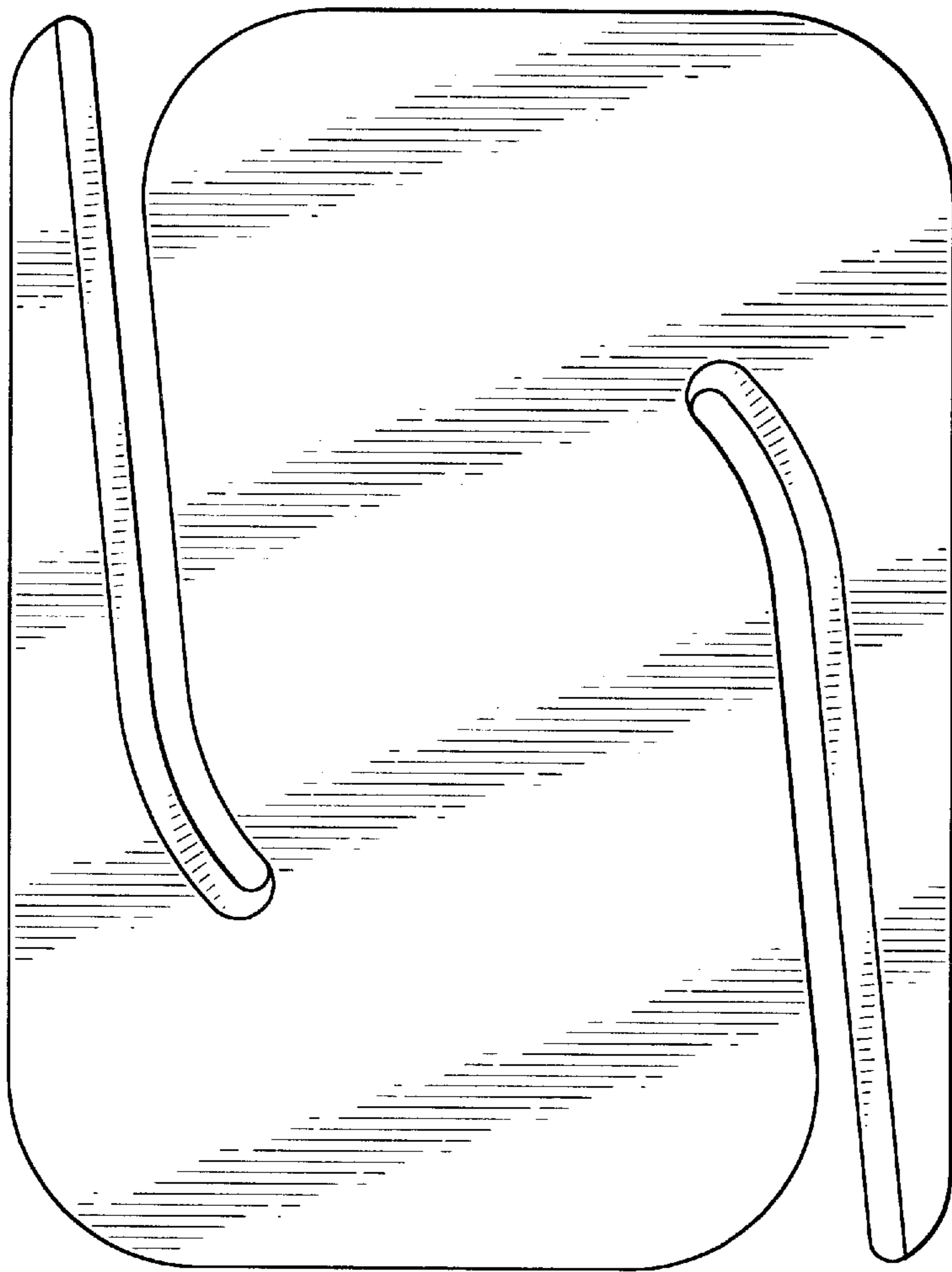


FIG-7

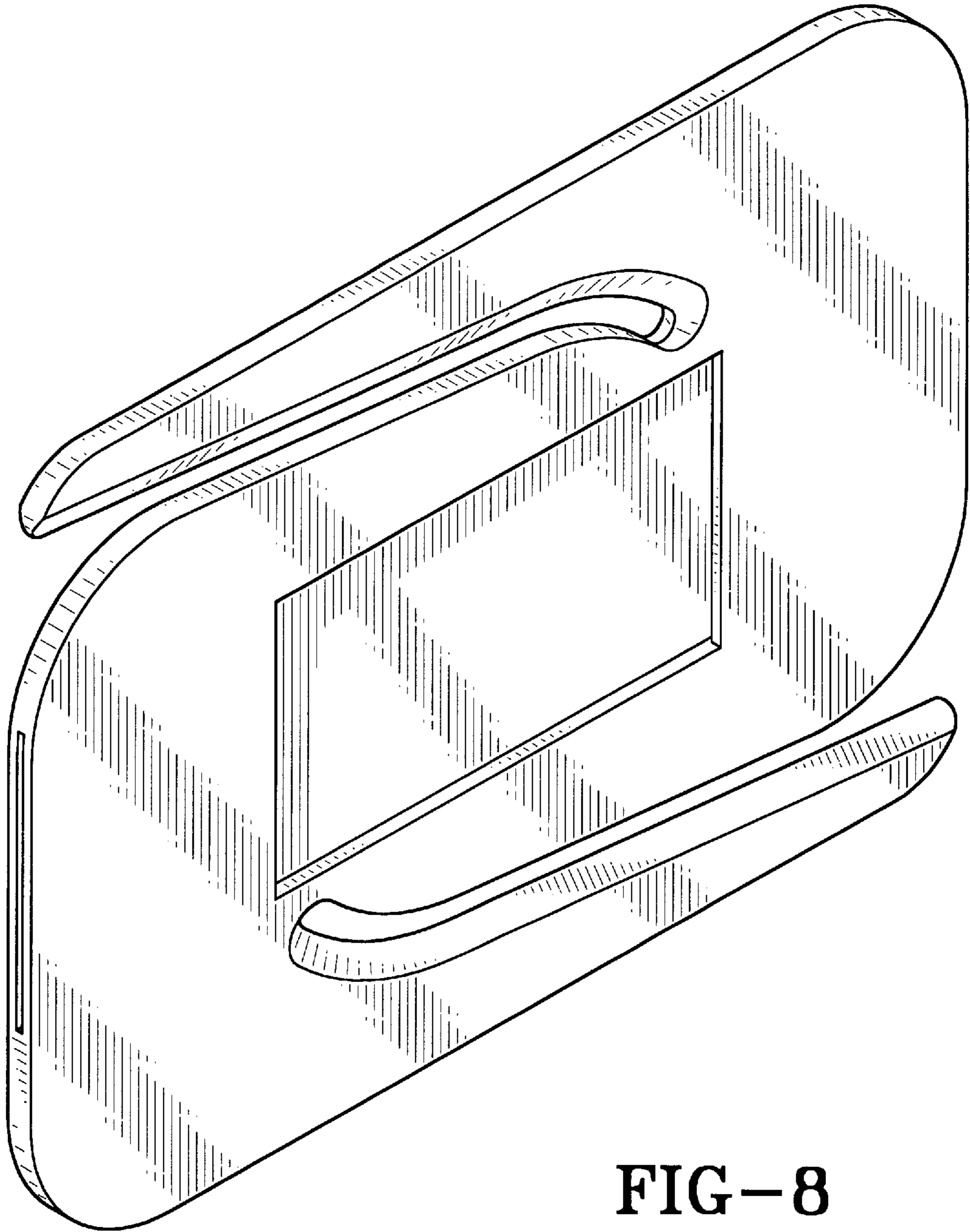


FIG-8



FIG-10

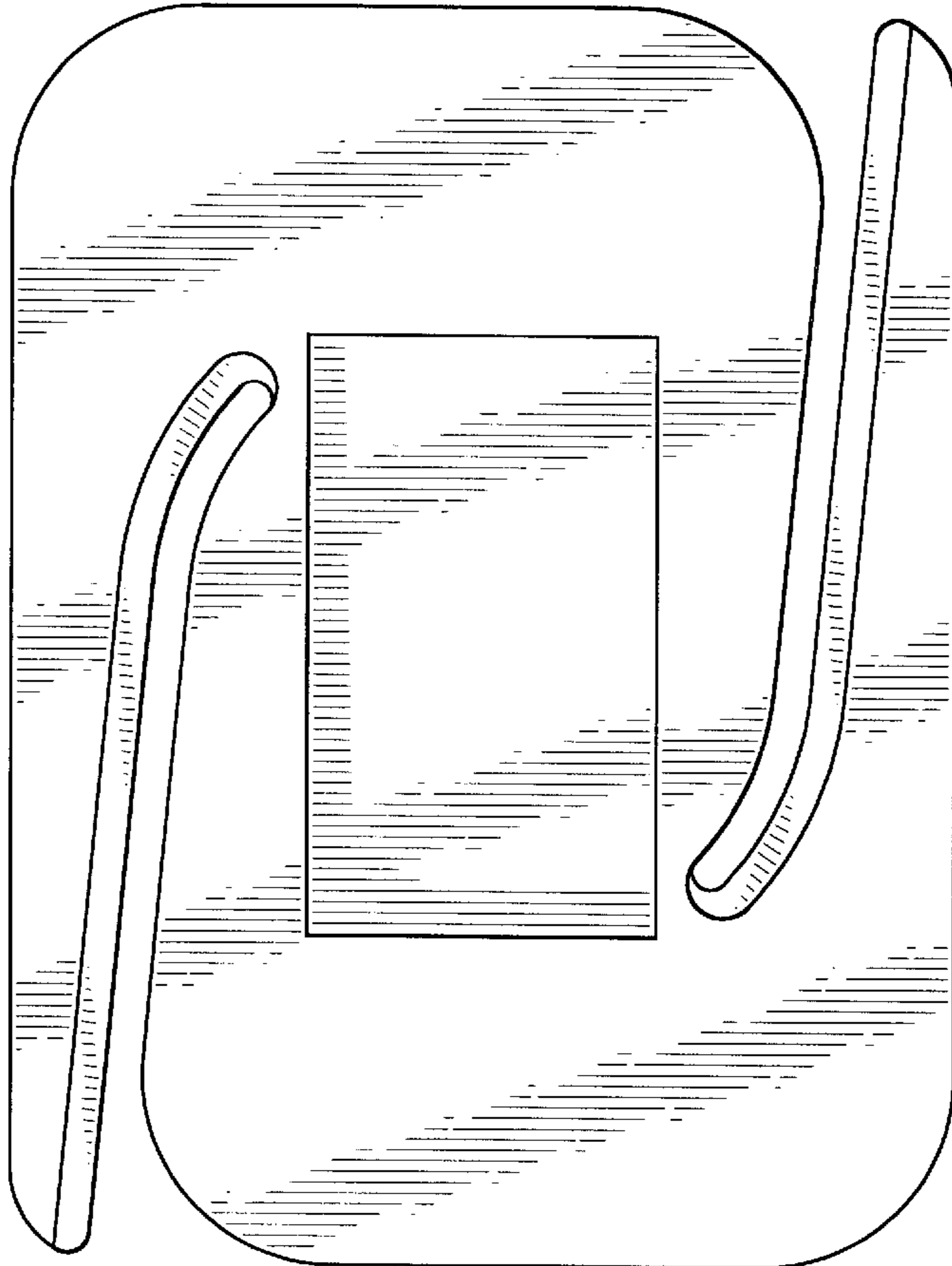


FIG-9

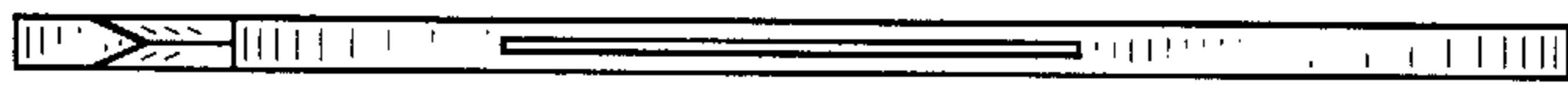


FIG-12

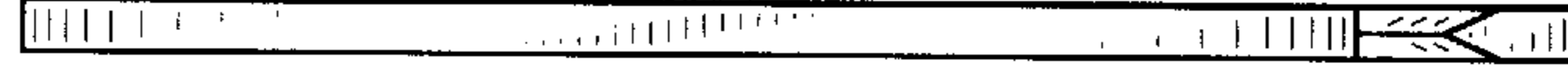


FIG-13



FIG-11

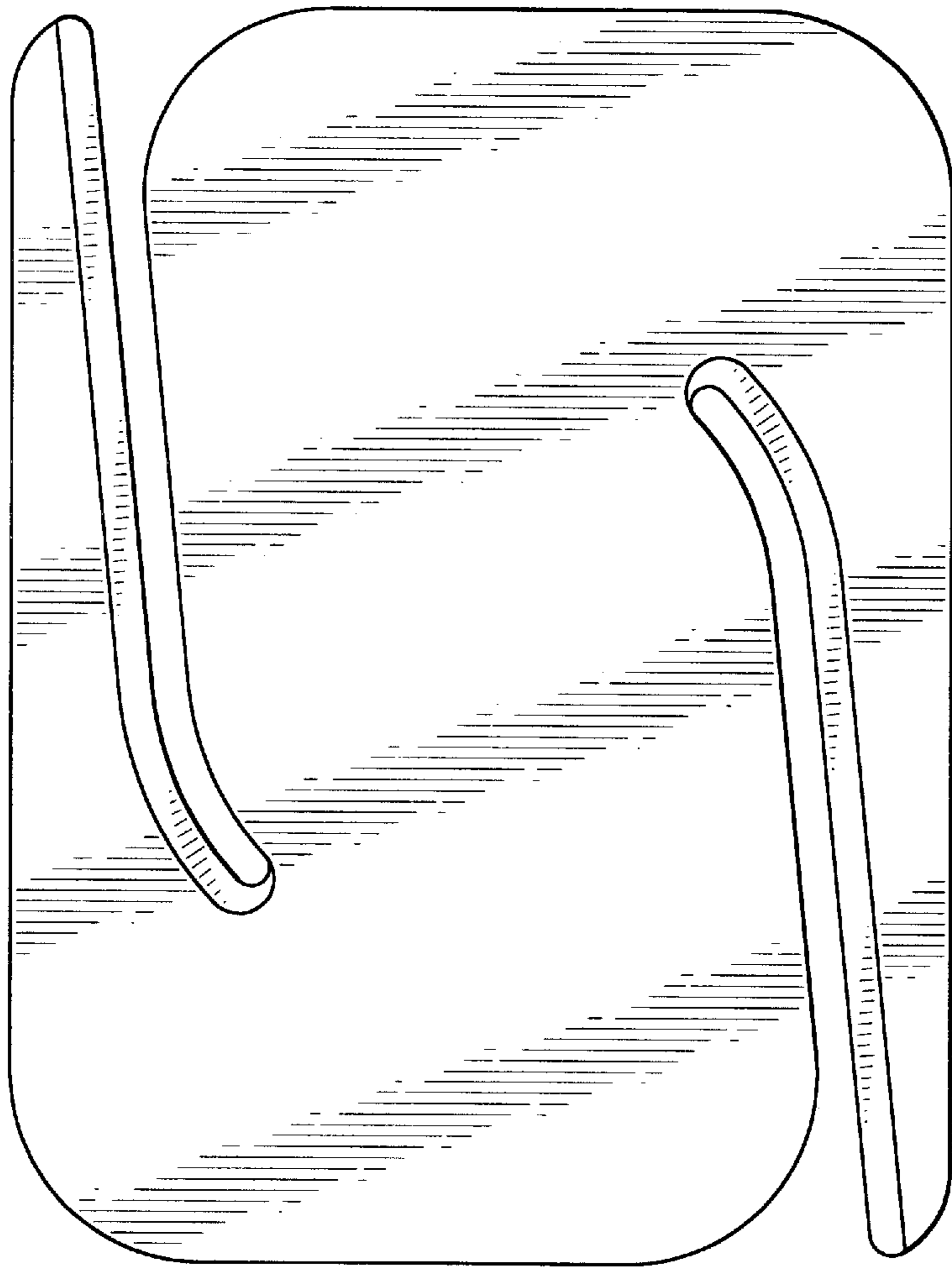


FIG-14

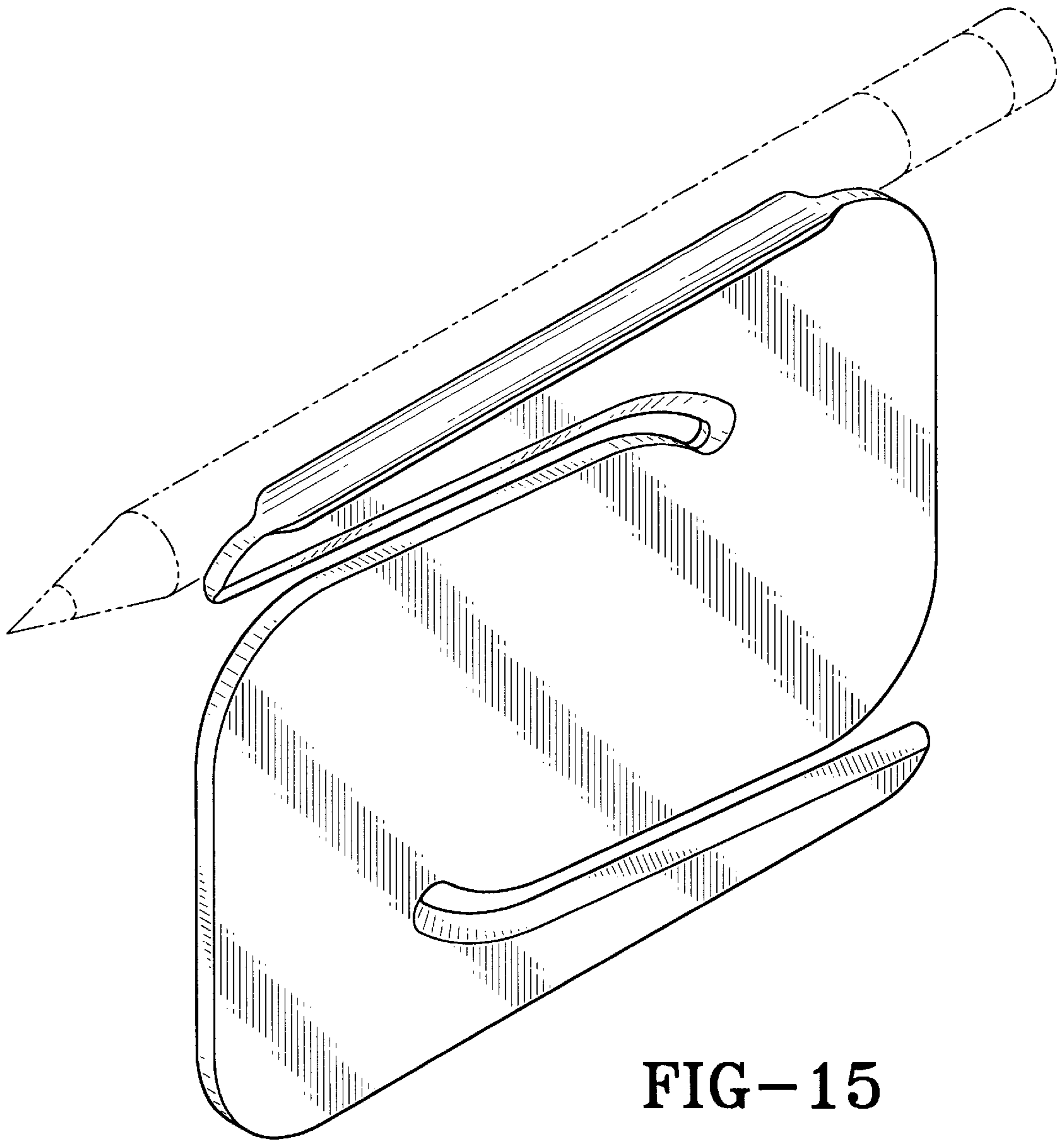


FIG-15



FIG-17

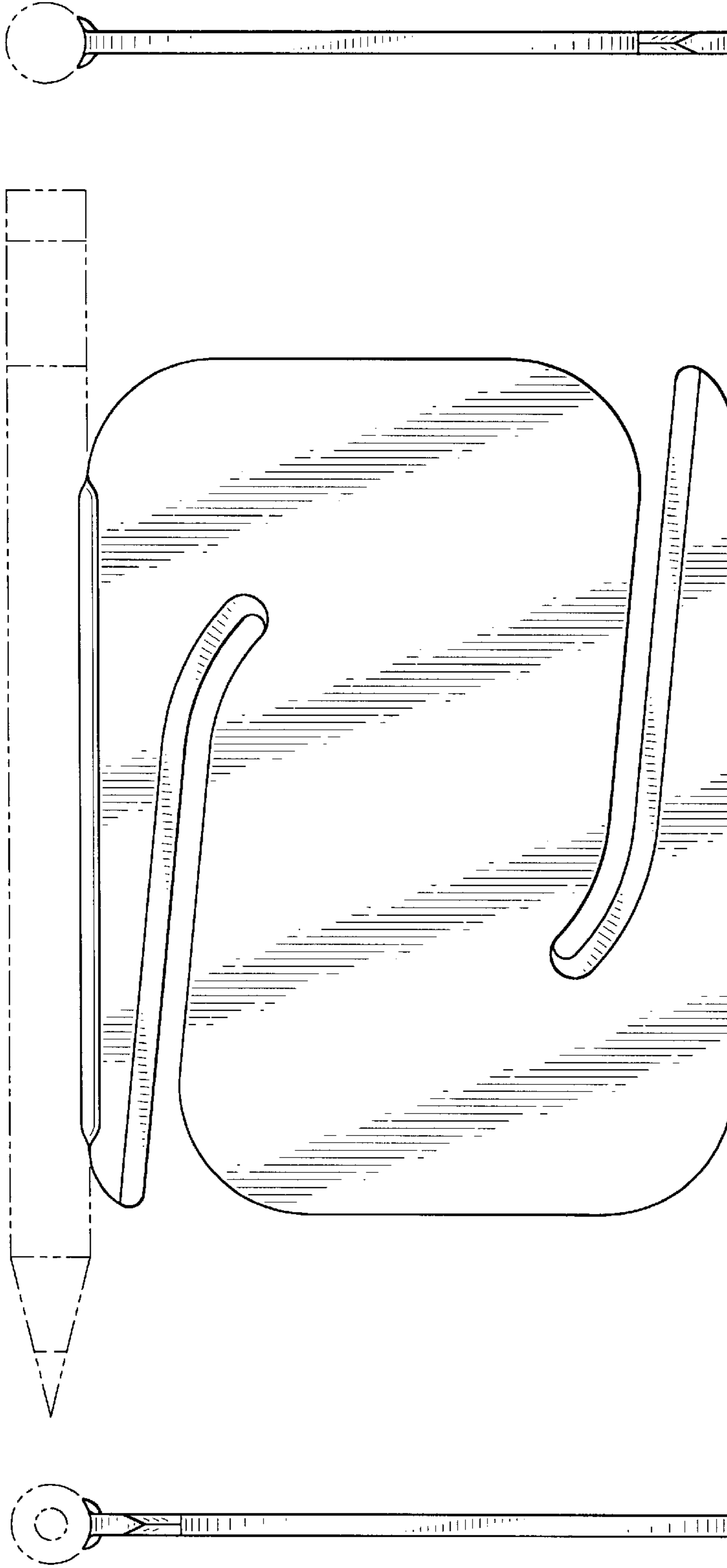


FIG-19

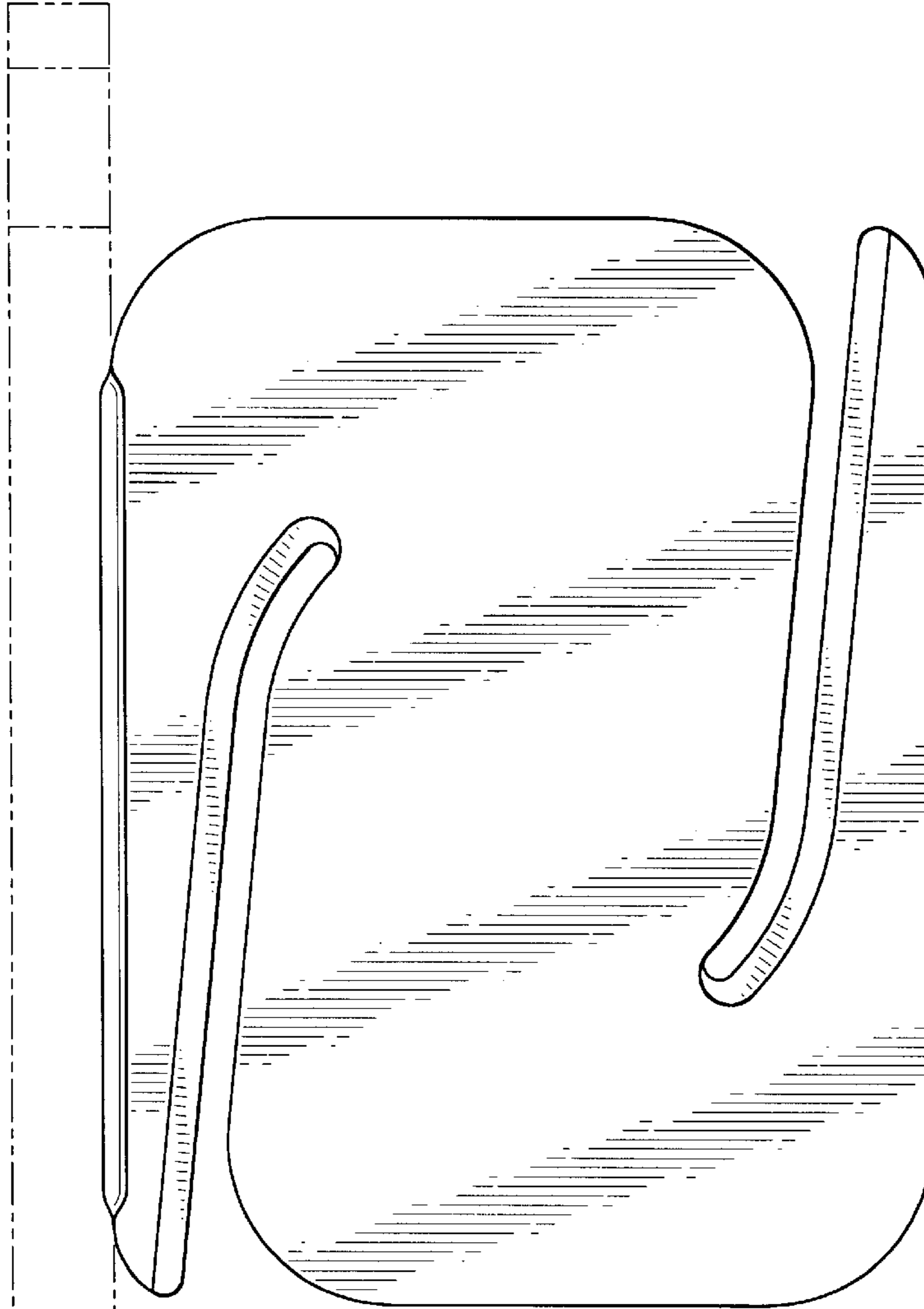


FIG-16



FIG-18

FIG-20

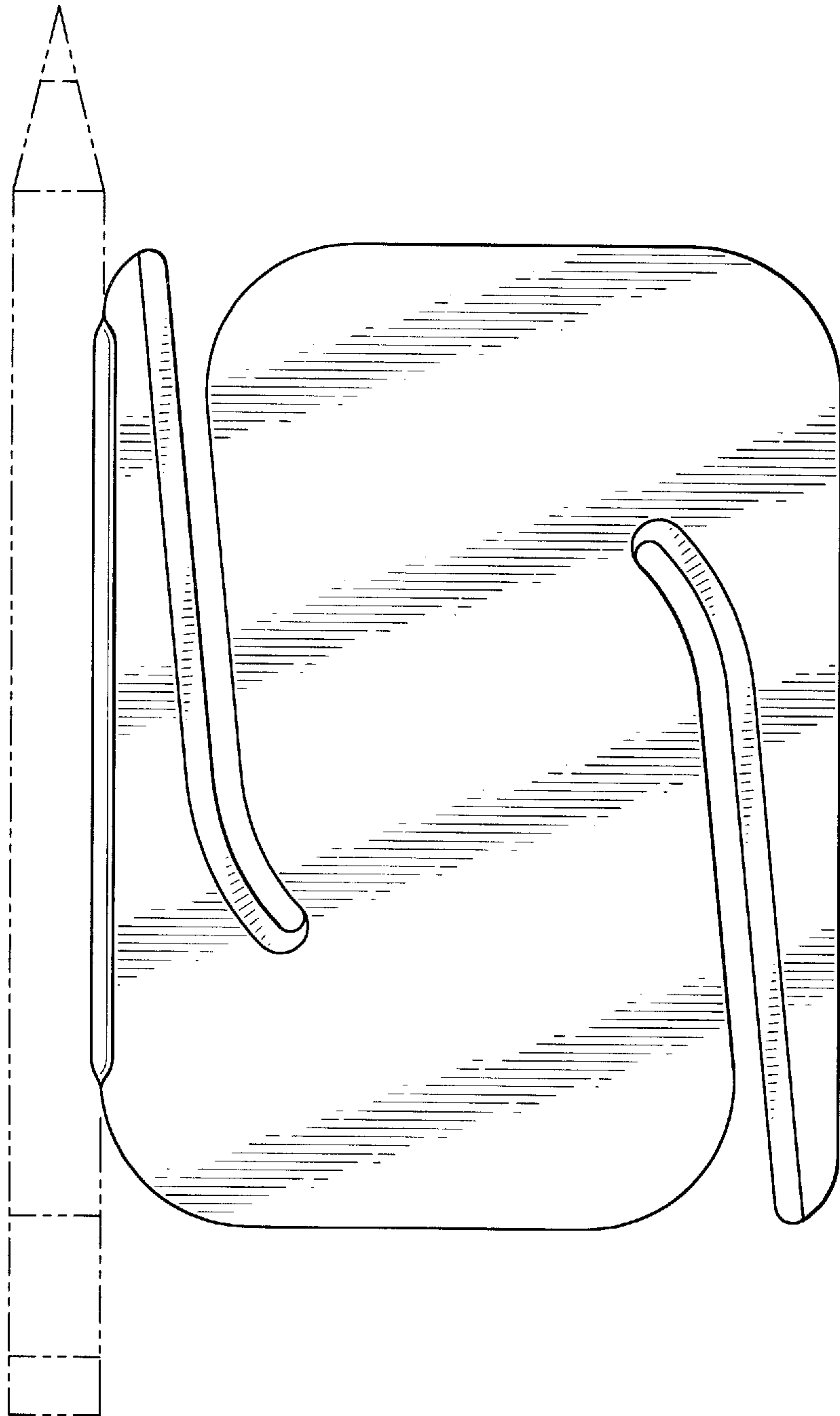


FIG-21