



US00D405673S

United States Patent [19]

Bidstrup et al.

[11] **Patent Number: Des. 405,673**

[45] **Date of Patent: **Feb. 16, 1999**

[54] **TOOL HANDLE**

[75] Inventors: **Stinse Blem Bidstrup**, Copenhagen, Denmark; **Steven Zlomke**, Beatrice, Nebr.; **Peter Hesselberg**, Holback, Denmark

[73] Assignee: **American Tool Companies, Inc.**, Vernon Hills, Ill.

[**] Term: **14 Years**

[21] Appl. No.: **56,400**

[22] Filed: **Feb. 27, 1996**

[51] **LOC (6) Cl. 08-03**

[52] **U.S. Cl. D8/97; D8/107**

[58] **Field of Search D8/97, 95, 96, D8/107; 30/505, 506, 507, 515, 517**

[56] **References Cited**

U.S. PATENT DOCUMENTS

D. 42,960	9/1912	Disston	D8/97
D. 47,547	7/1915	Shireman	D8/97
D. 70,665	7/1926	Forsberg	D8/97
D. 103,969	4/1937	Jack	.	
D. 118,415	1/1940	Nessen	D8/95
D. 137,060	1/1944	Lodeen	D8/95
D. 152,760	2/1949	Weaver	D8/97
D. 153,407	4/1949	Weaver	D8/97
156,369	10/1874	Millsbaugh	30/517
183,805	10/1876	Holden	30/517
D. 184,860	4/1959	Dreier	D8/97
D. 231,076	4/1974	Carlsson	D8/97
D. 234,906	4/1975	Breger	D8/95
D. 249,453	9/1978	Covey	D8/97
D. 251,825	5/1979	Breger	D8/97

D. 251,963	5/1979	Breger	D8/97
D. 251,964	5/1979	Breger	D8/97
D. 260,072	8/1981	Covey	D8/97
D. 269,848	7/1983	Covey	D8/97
D. 317,395	6/1991	Landahl	D8/97
D. 321,119	10/1991	Cicccone, III et al.	D8/98
D. 323,966	2/1992	Tanabe	D8/97
942,920	12/1909	Martin	7/148
1,145,284	7/1915	Weddle	30/166.3
1,164,568	12/1915	Belsante	30/505
1,450,323	4/1923	McGuire	7/148
1,487,381	3/1924	Helms	7/148
1,817,980	8/1931	Forsberg et al.	.	
2,017,895	10/1935	Davey	.	
2,155,110	4/1939	Alexander	30/515
2,279,576	4/1942	Leverone	30/505
2,437,296	3/1948	Forsberg	.	

Primary Examiner—Philip S. Hyder
Attorney, Agent, or Firm—Brinks Hofer Gilson & Lione

[57] **CLAIM**

The ornamental design for a tool handle, as shown and described.

DESCRIPTION

FIG. 1 is a left side view showing one embodiment of our new design for a tool handle;
FIG. 2 is a front view thereof;
FIG. 3 is a rear view thereof;
FIG. 4 is a top view thereof;
FIG. 5 is a bottom view thereof;
FIG. 6 is a right side view thereof; and,
FIG. 7 is a left side perspective view thereof.
The broken lines in FIGS. 1-7 are for environmental purposes only and forms no part of the claimed design.

1 Claim, 4 Drawing Sheets

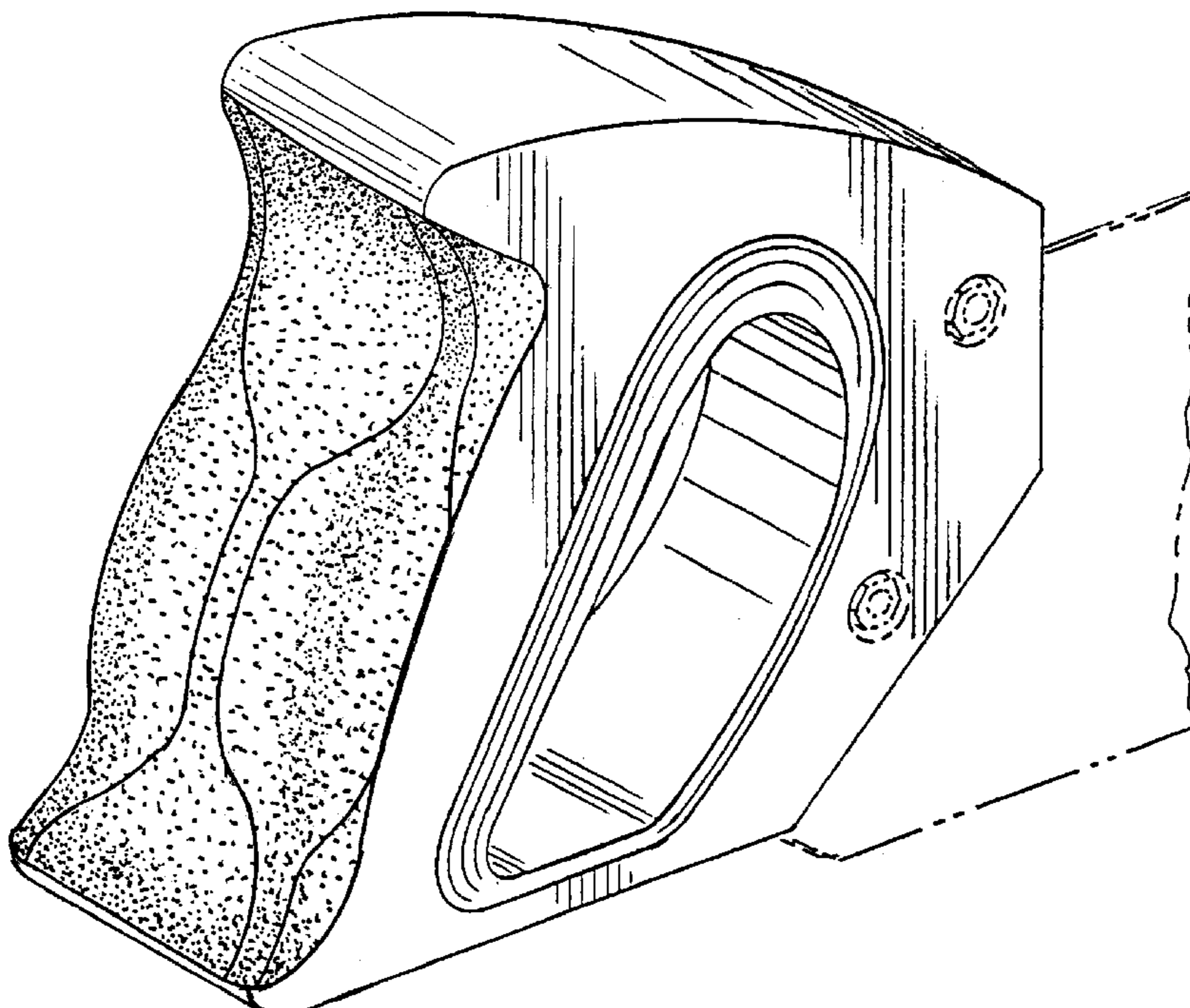


FIG. 2

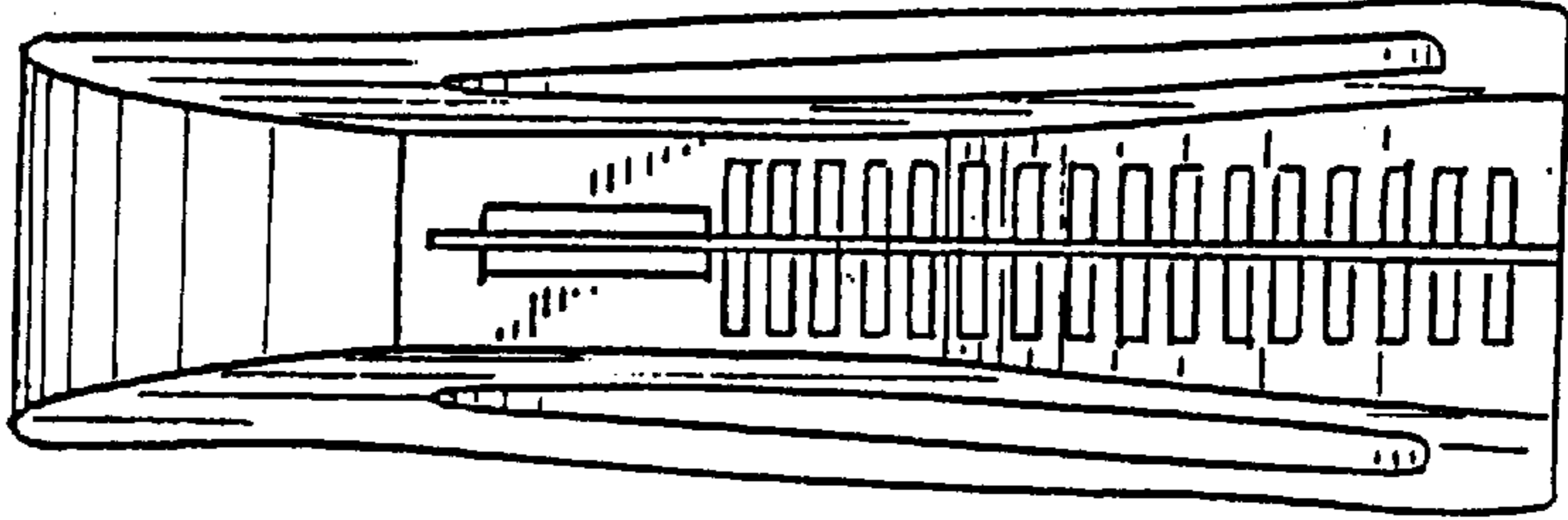


FIG. 1

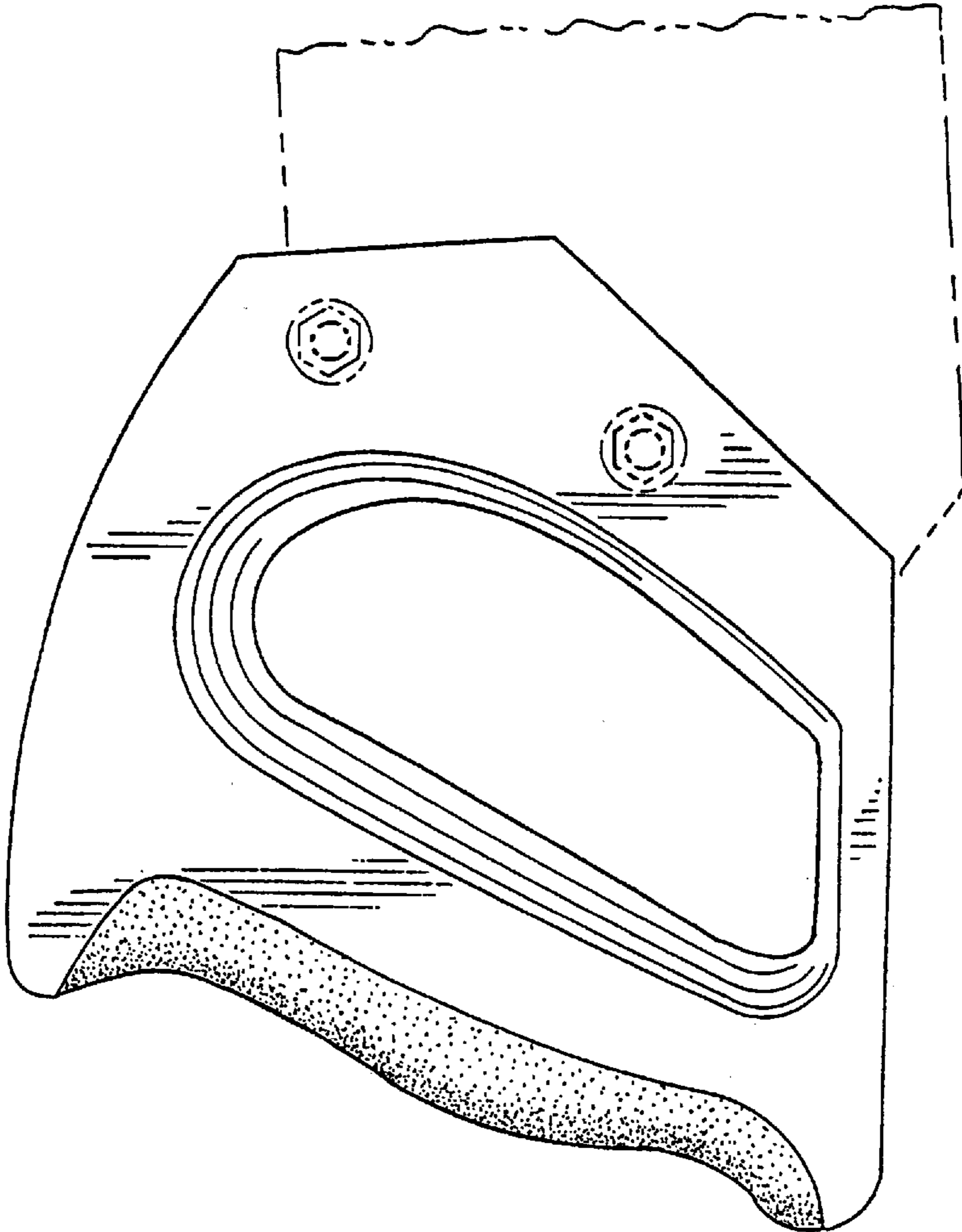


FIG. 3

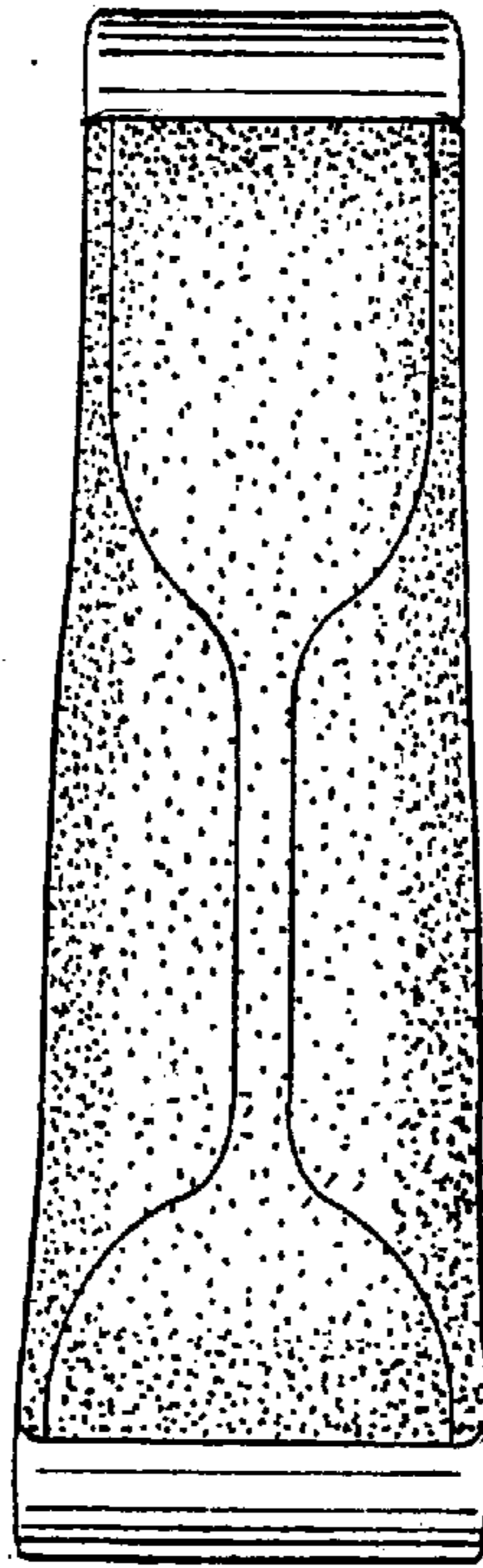


FIG. 4

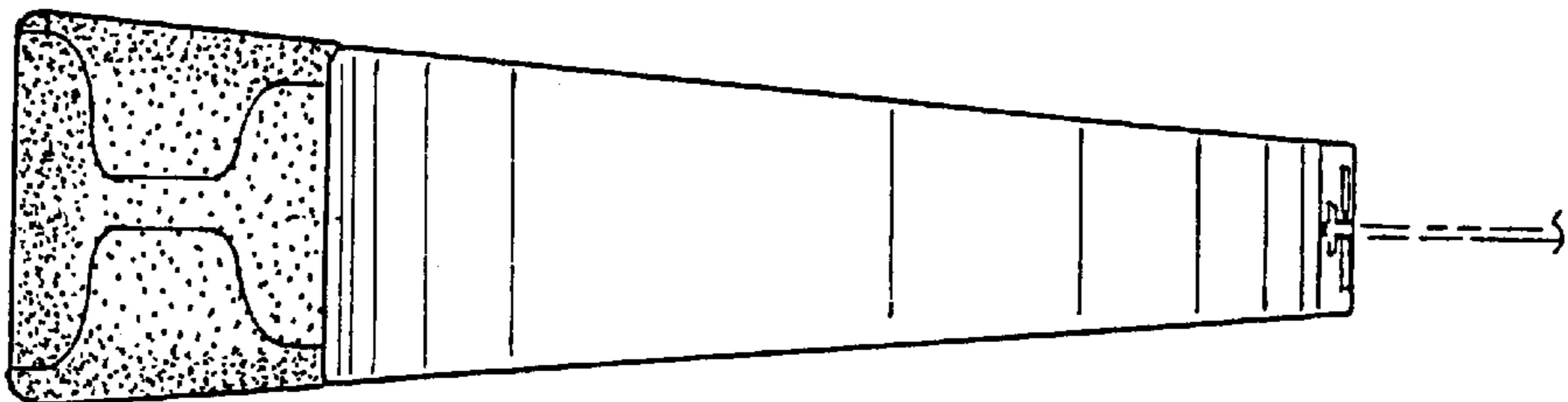


FIG. 5

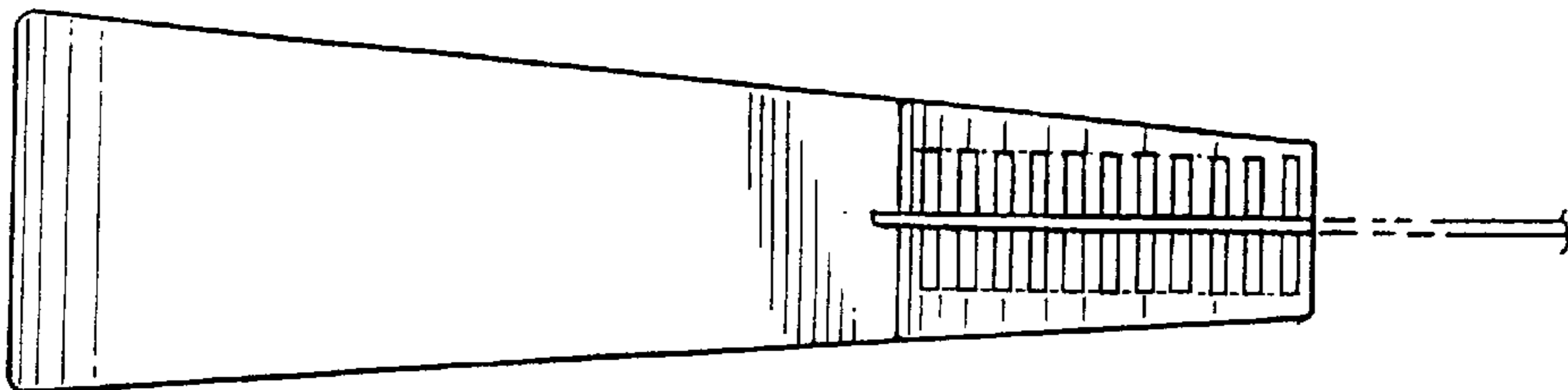


FIG. 6

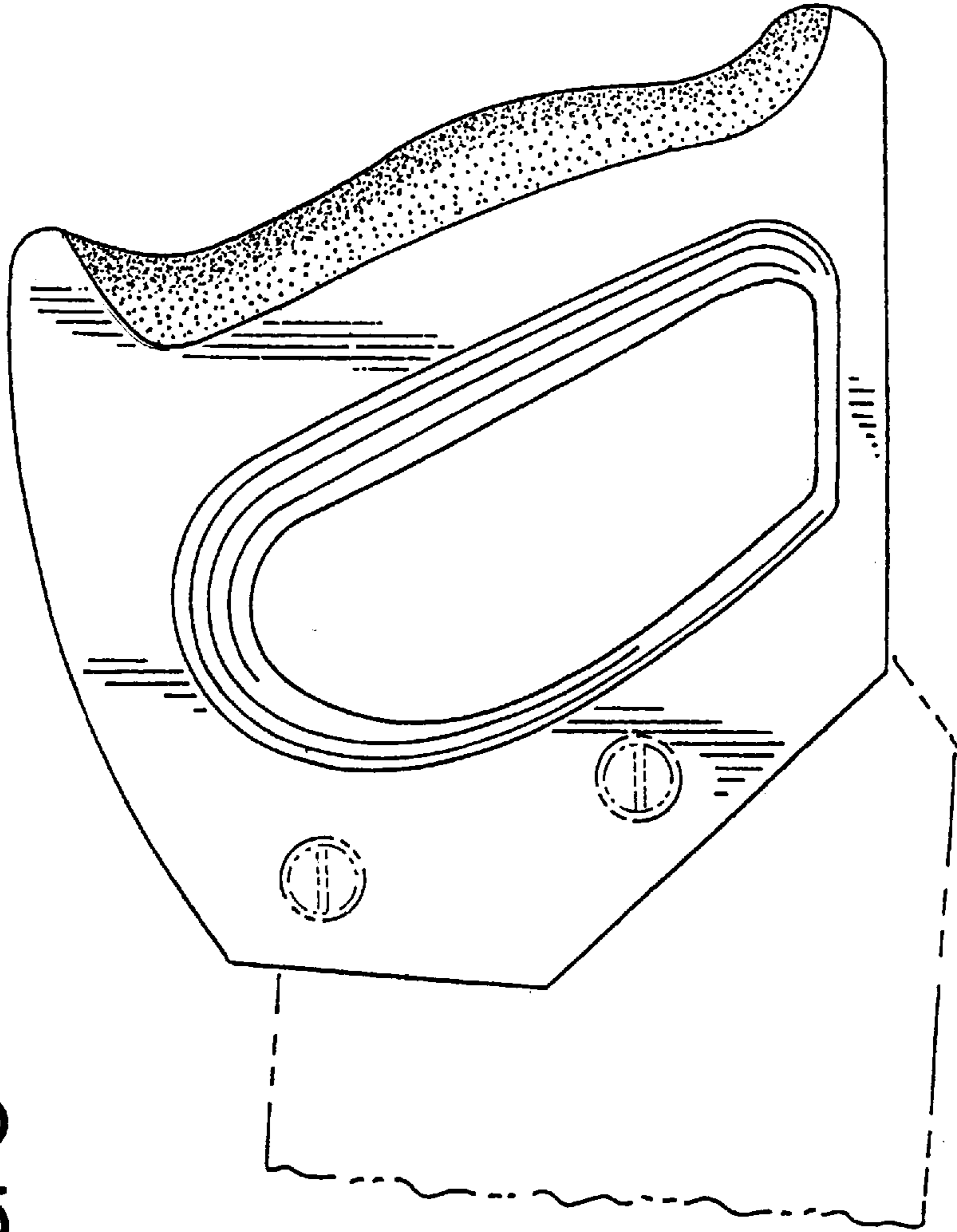


FIG. 7

