



US00D405672S

United States Patent [19]

[11] **Patent Number: Des. 405,672**

Wirths

[45] **Date of Patent: **Feb. 16, 1999**

[54] **SCREWDRIVER BIT WITH COMBINATION PHILLIPS AND BLADE TIP**

Primary Examiner—Philip S. Hyder
Attorney, Agent, or Firm—Litman, McMahon & Brown, L.L.C.

[76] Inventor: **John E. Wirths**, P.O. Box 202, Tipton, Mo. 65081

[**] Term: **14 Years**

[57] **CLAIM**

The ornamental design for a screwdriver bit with combination Phillips and blade tip, as shown and described.

[21] Appl. No.: **69,267**

[22] Filed: **Mar. 21, 1997**

DESCRIPTION

[51] **LOC (6) Cl.** **08-04**

[52] **U.S. Cl.** **D8/86**

[58] **Field of Search** D8/86, 87, 82, D8/83, 84; 81/436, 441, 451, 438

FIG. 1 is a top, front, left side perspective view of a screwdriver bit with combination Phillips and blade tip, showing my new design;

[56] **References Cited**

U.S. PATENT DOCUMENTS

D. 297,909	10/1988	Wilbanks	D8/86
D. 311,483	10/1990	Espin	D8/86
D. 312,034	11/1990	Espin	D8/86
D. 312,954	12/1990	Wilbanks	D8/86
3,175,593	3/1965	Launay	81/436
4,434,687	3/1984	Vickio	81/441
4,590,825	5/1986	Vaughn	81/451

FIG. 2 is a left side elevational view thereof, the right side being a mirror image thereof;

FIG. 3 is an, top plan view thereof, the bottom plan view being a mirror image thereof;

FIG. 4 is an, front elevational view thereof; and,

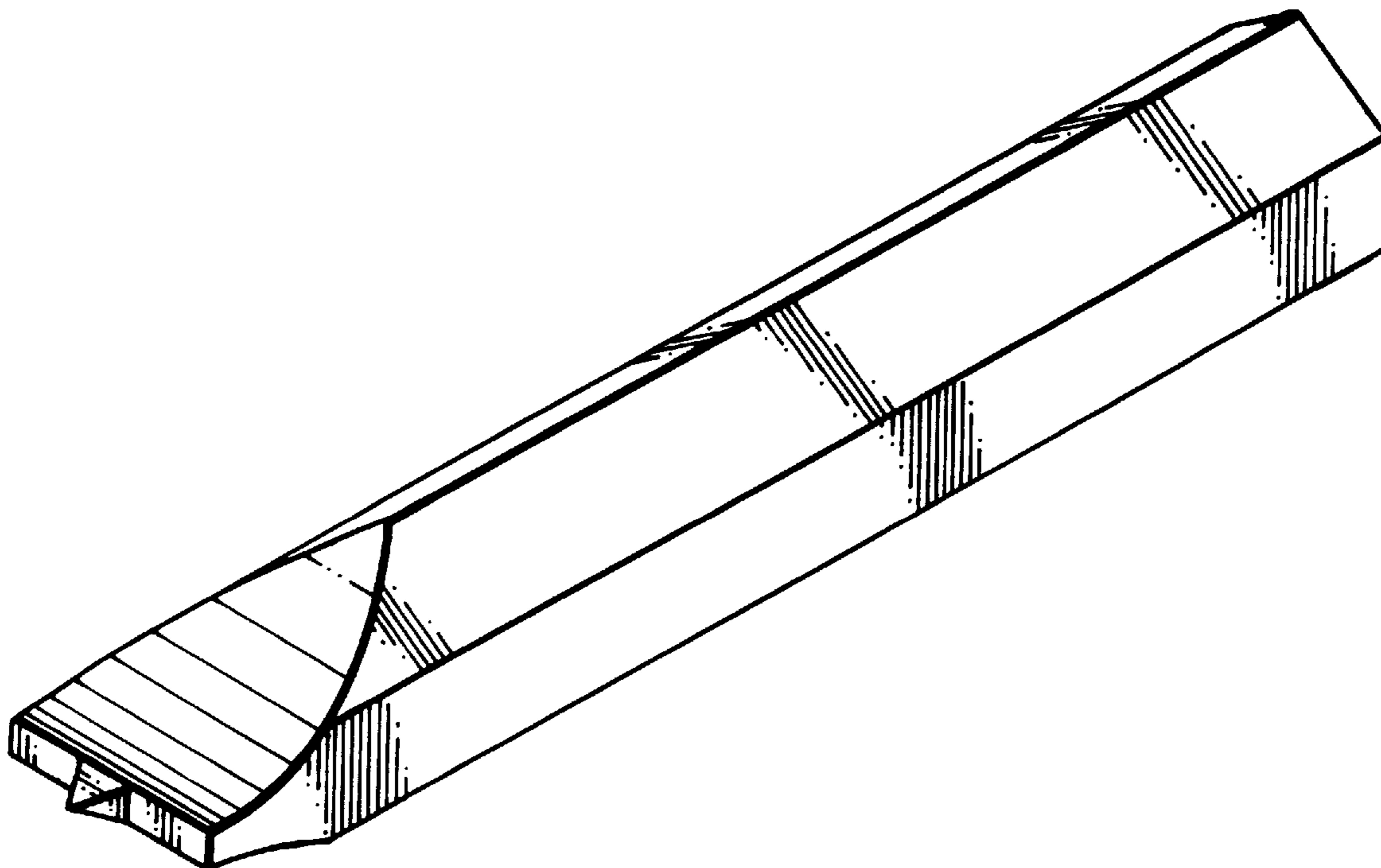
FIG. 5 is a rear elevational view thereof.

OTHER PUBLICATIONS

J.C. Whitney Catalog, p. 147, Hex shank screwdriver bit, located at bottom of page, 1993.
Snap On Tools Catalog, p. 180, Screwdriver Hex Shank Bits, 1990.

The characteristic ornamental feature of my new design resides in the pyramidal point protruding from the end of the blade.

1 Claim, 2 Drawing Sheets



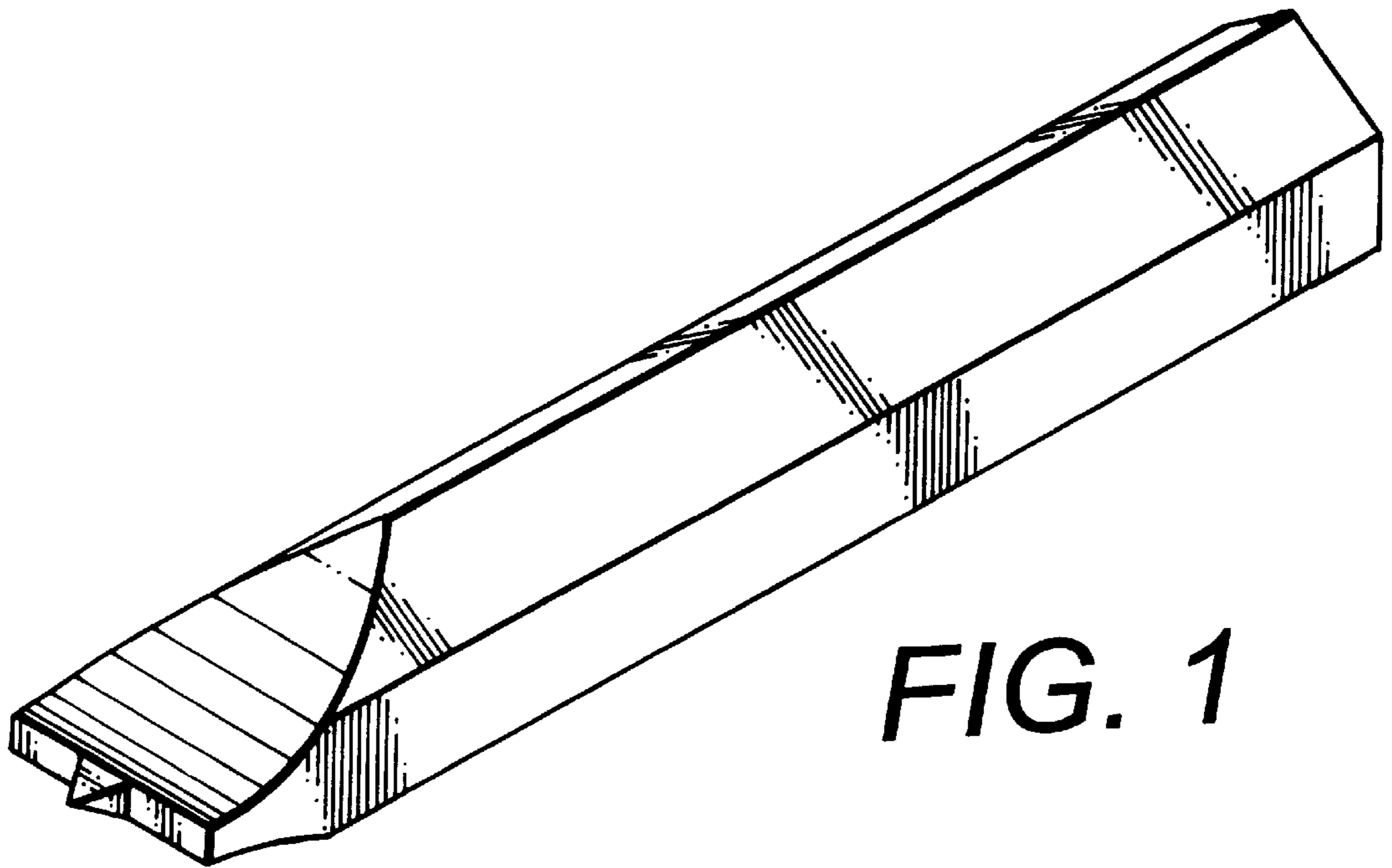


FIG. 1

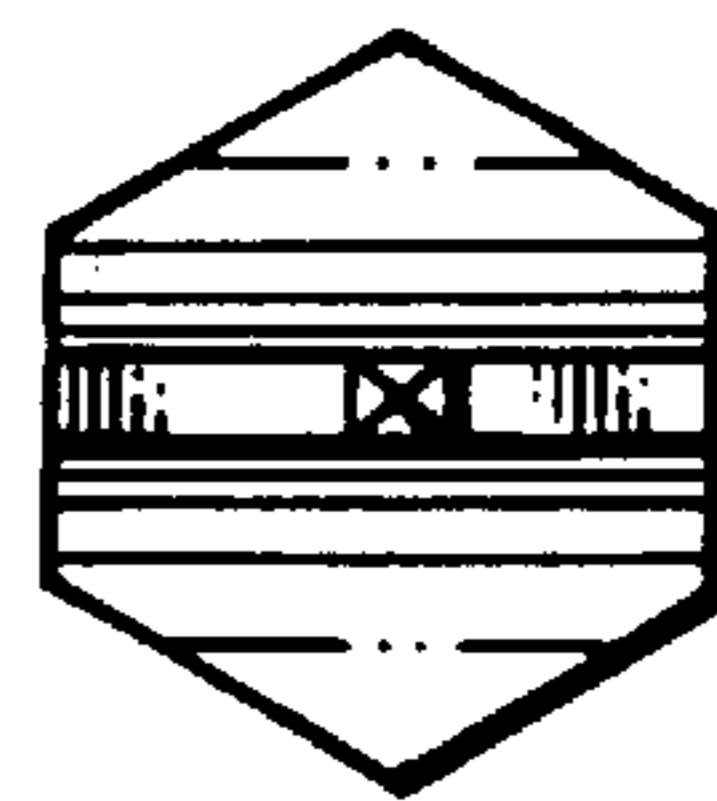


FIG. 4

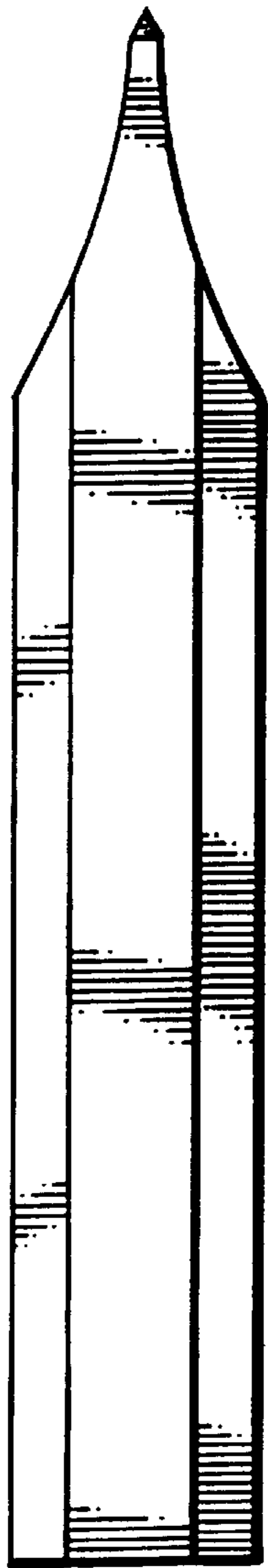


FIG. 2

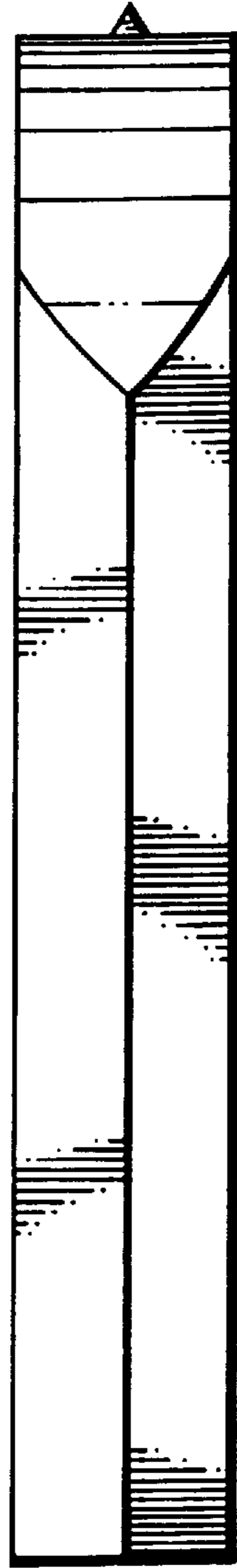


FIG. 3

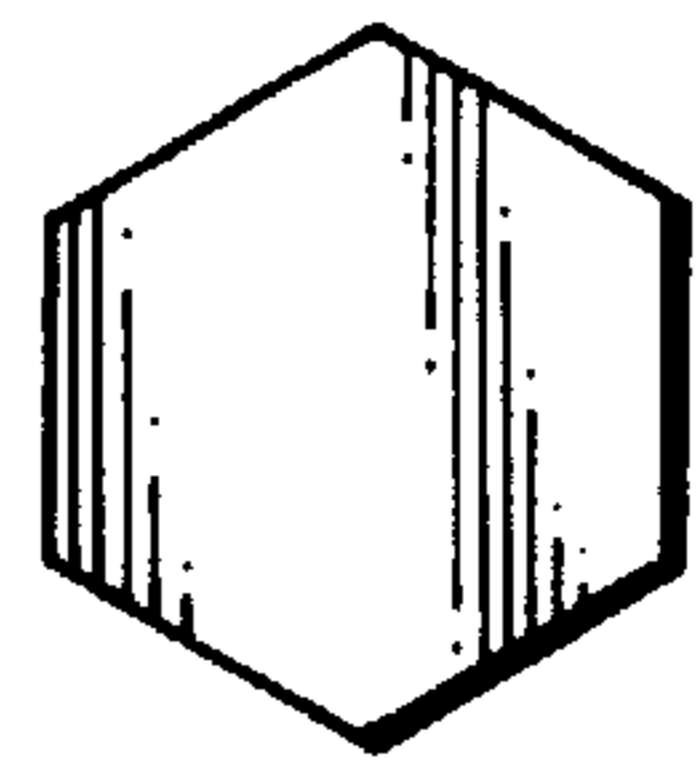


FIG. 5