



US00D405669S

United States Patent [19] Suh

[11] **Patent Number: Des. 405,669**

[45] **Date of Patent: **Feb. 16, 1999**

[54] **EYELASH CURLER**

[76] Inventor: **Jeong Joo Suh**, 134-2202 Olympic Apt., Bangi-dong, Songpa-ku, Seoul, Rep. of Korea

[**] Term: **14 Years**

[21] Appl. No.: **62,399**

[22] Filed: **Nov. 14, 1996**

[51] **LOC (6) Cl. 28-03**

[52] **U.S. Cl. D28/36**

[58] **Field of Search D28/9, 35, 36, D28/37, 50; 132/212, 216, 217, 238**

[56] **References Cited**

U.S. PATENT DOCUMENTS

D. 256,282	8/1980	Haase	D28/35 X
D. 302,345	7/1989	Rubin	D28/53
D. 313,283	12/1990	Gelinas	D28/37
D. 339,212	9/1993	Carleton	D28/53
2,630,516	3/1953	Rausch et al.	132/217
3,382,876	5/1968	Sper	132/217
3,526,234	9/1970	Chrablow	132/271 X

FOREIGN PATENT DOCUMENTS

136961	10/1979	Japan	132/219
622876	5/1949	United Kingdom	132/217

Primary Examiner—Raphael Barkai

Assistant Examiner—C Tuttle

[57] **CLAIM**

The ornamental design for an eyelash curler, as shown and described.

DESCRIPTION

FIG. 1 is a perspective view from the left top side of the eyelash curler which is shown without the cap for completeness of disclosure;

FIG. 2 is a top plan view thereof;

FIG. 3 is a bottom view thereof;

FIG. 4 is a left side view thereof;

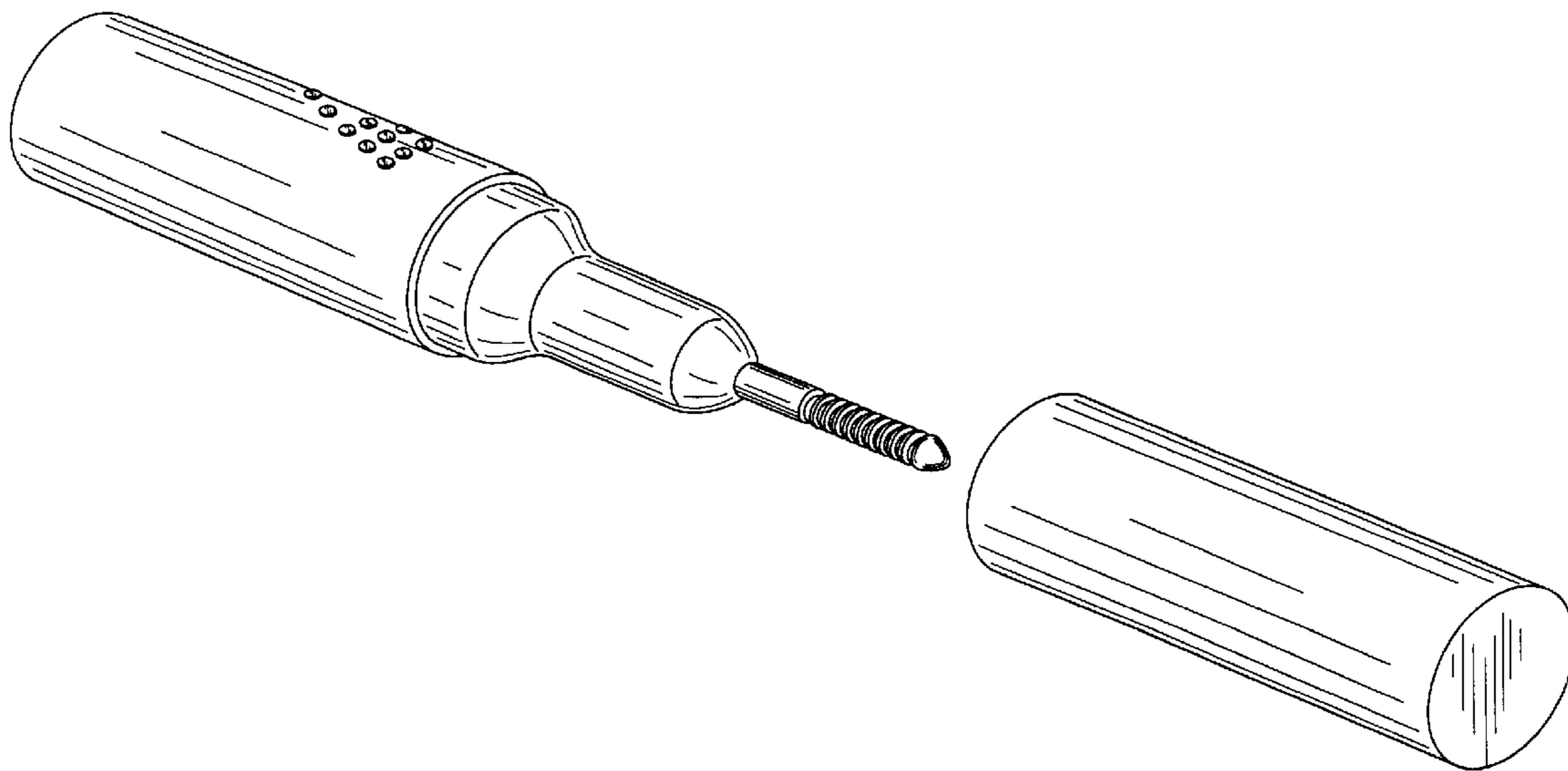
FIG. 5 is a rear view thereof;

FIG. 6 is a tip end view thereof; and,

FIG. 7 is an exploded perspective view of the design.

The rear view of the cap forms no part of the claimed design.

1 Claim, 2 Drawing Sheets



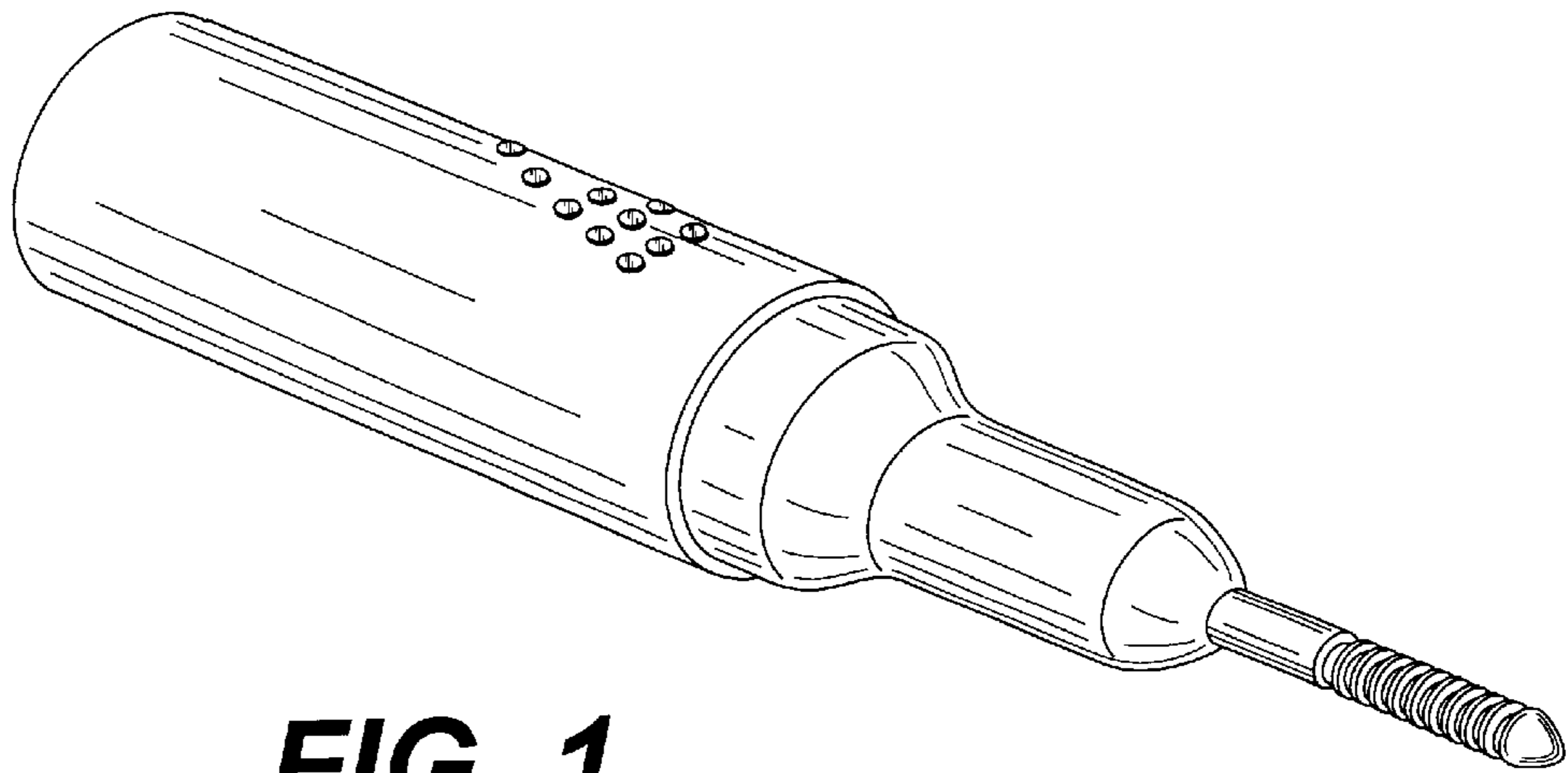


FIG. 1

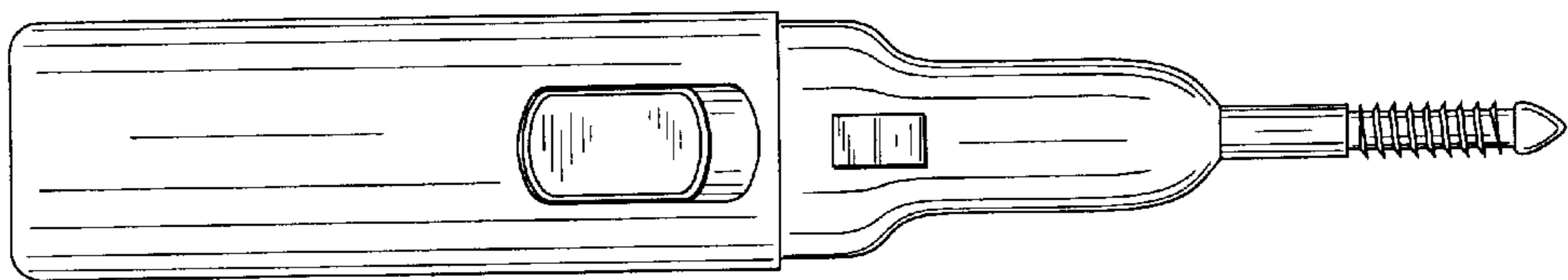


FIG. 2

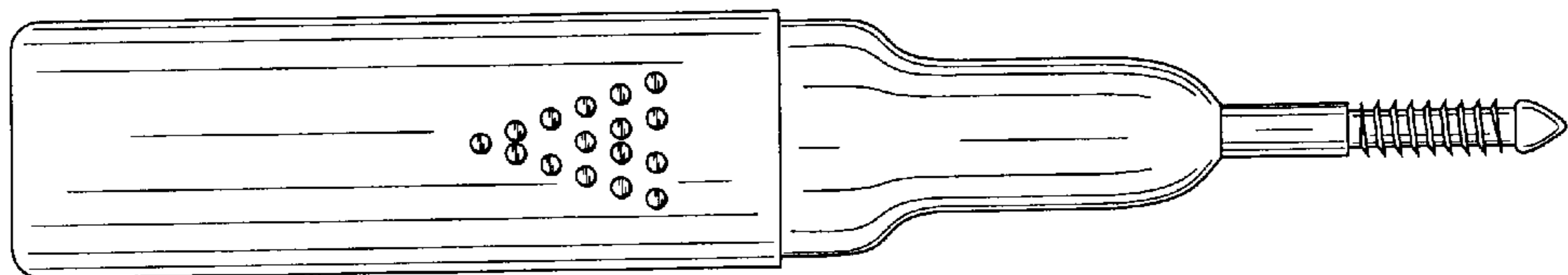


FIG. 3

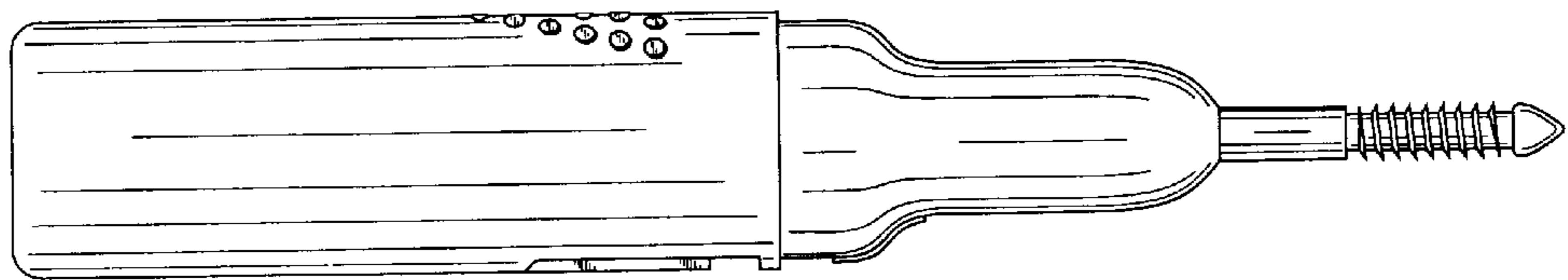


FIG. 4

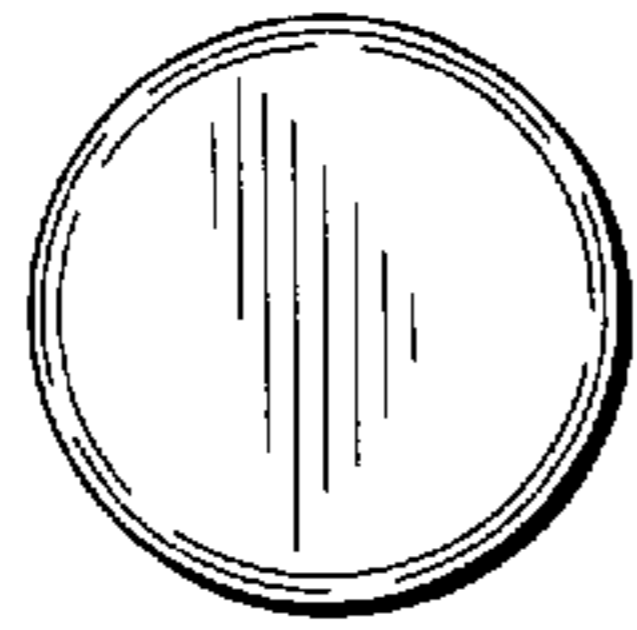


FIG. 5

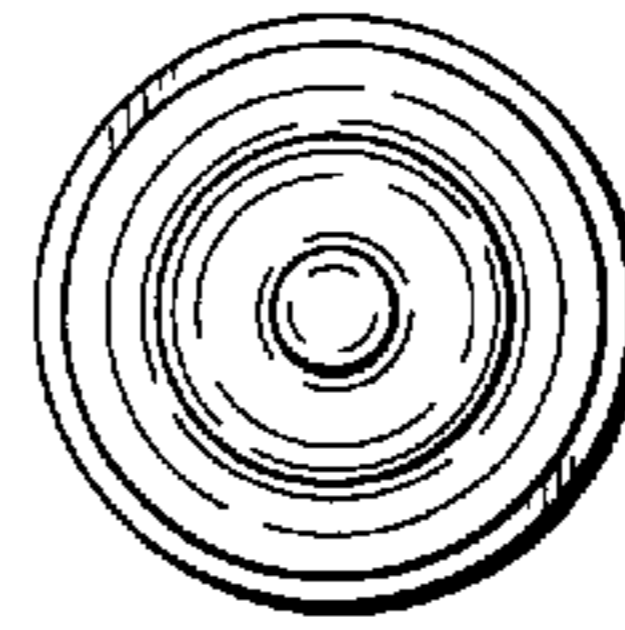


FIG. 6

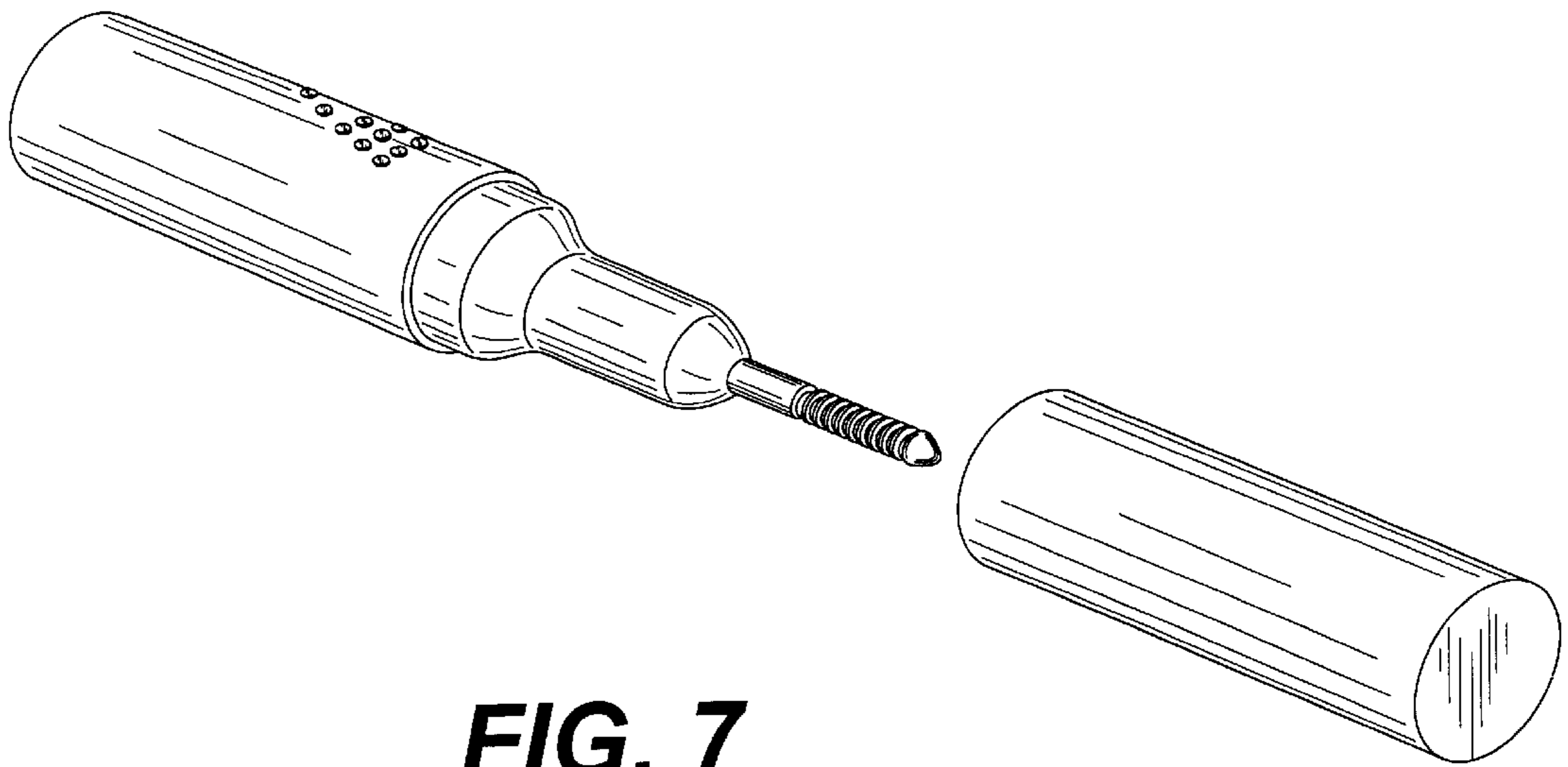


FIG. 7