

US00D405668S

United States Patent [19] Henke

[11] **Patent Number: Des. 405,668**

[45] **Date of Patent: **Feb. 16, 1999**

[54] **BUCKET OPENER TOOL**

[75] Inventor: **David R. Henke**, Maple Grove, Minn.

[73] Assignee: **Warner Manufacturing Company**,
Minneapolis, Minn.

[**] Term: **14 Years**

[21] Appl. No.: **88,817**

[22] Filed: **Jun. 1, 1998**

[51] **LOC (6) Cl. 07-99**

[52] **U.S. Cl. D8/34; D8/33; D8/105**

[58] **Field of Search D8/18-20, 33-43,
D8/105; 7/105, 151-156, 158; 30/400,
169; 81/3.07, 3.09; 15/105**

[56] **References Cited**

U.S. PATENT DOCUMENTS

D. 245,393	8/1977	Madsen et al.	D8/18
D. 254,834	4/1980	Madsen et al.	D8/18
D. 276,304	11/1984	DiFede	D8/40
D. 285,900	9/1986	Chan	D8/105
D. 296,411	6/1988	Madsen et al.	D8/18
960,624	6/1910	Compton	15/105
2,163,758	6/1939	Mariner	7/151
2,524,475	10/1950	Renz	416/71
2,593,949	4/1952	Williams	416/70 R
2,839,110	6/1958	Carpenter	81/44
2,860,858	11/1958	Kurs	366/129
4,658,455	4/1987	Skillern	7/105

4,741,064	5/1988	Riegert et al.	7/105 X
4,819,289	4/1989	Gibbs	7/118
5,069,090	12/1991	Clark	81/3.09
5,251,352	10/1993	Cullison	7/105
5,546,625	8/1996	Mealey, Sr.	15/105

OTHER PUBLICATIONS

Warner, 1997-1999 Decorating & Maintenance Tools Catalog, Jul. 1996, pp. 3-5, 11, 12, 20 and 33.

Primary Examiner—Caron D. Veynar
Attorney, Agent, or Firm—Merchant, Gould, Smith, Edell, Welter & Schmidt

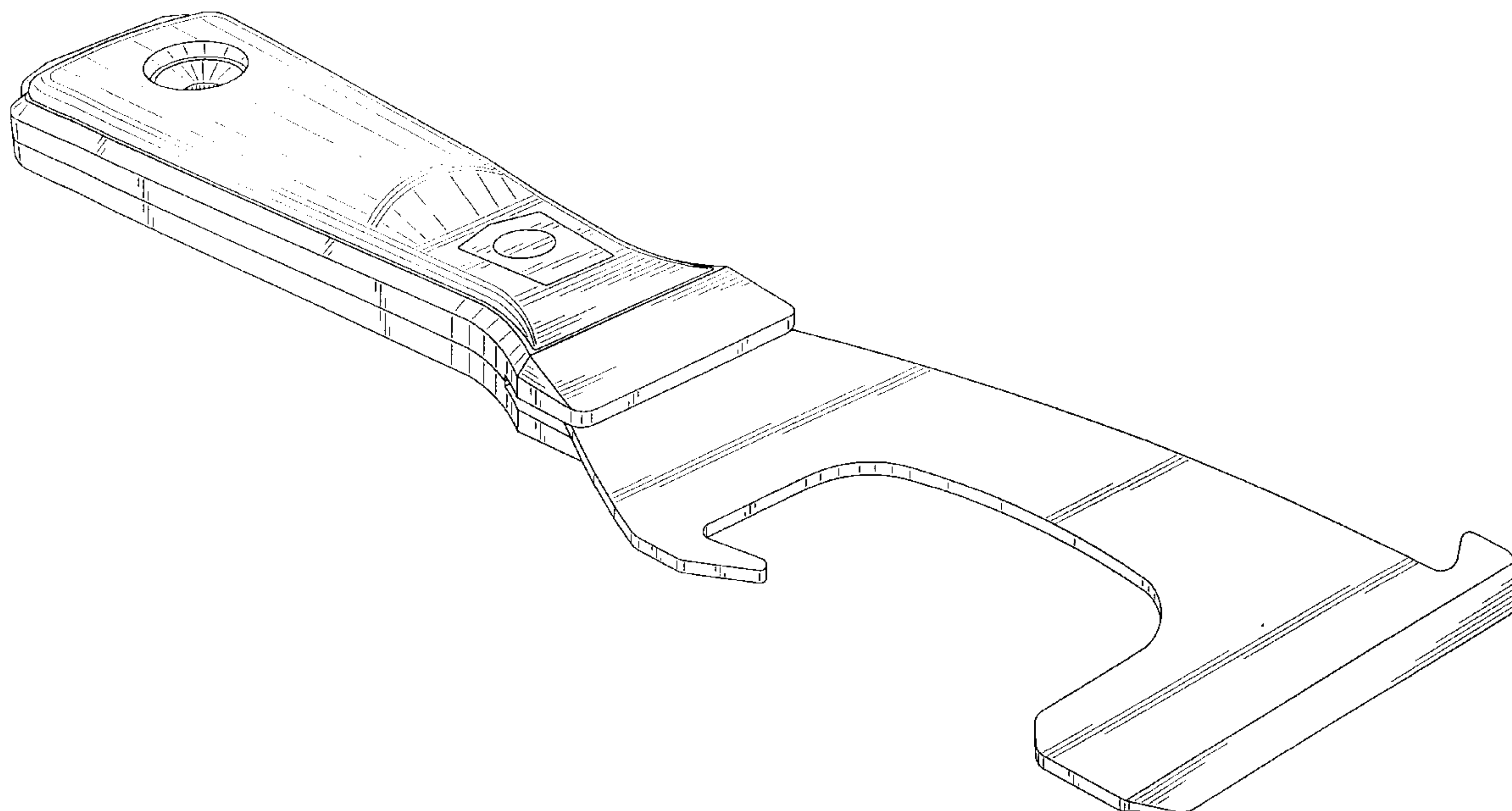
[57] CLAIM

The ornamental design for a bucket opener tool, as shown and described.

DESCRIPTION

FIG. 1 is a perspective view of a bucket opener tool showing my new design;
FIG. 2 is a bottom plan view of the bucket opener tool;
FIG. 3 is a top plan view of the bucket opener tool;
FIG. 4 is an elevational view of one side of the bucket opener tool;
FIG. 5 is an elevational view of the opposite side of the bucket opener tool;
FIG. 6 is a front elevational view of the bucket opener tool; and,
FIG. 7 is a rear elevational view of the bucket opener tool.

1 Claim, 5 Drawing Sheets



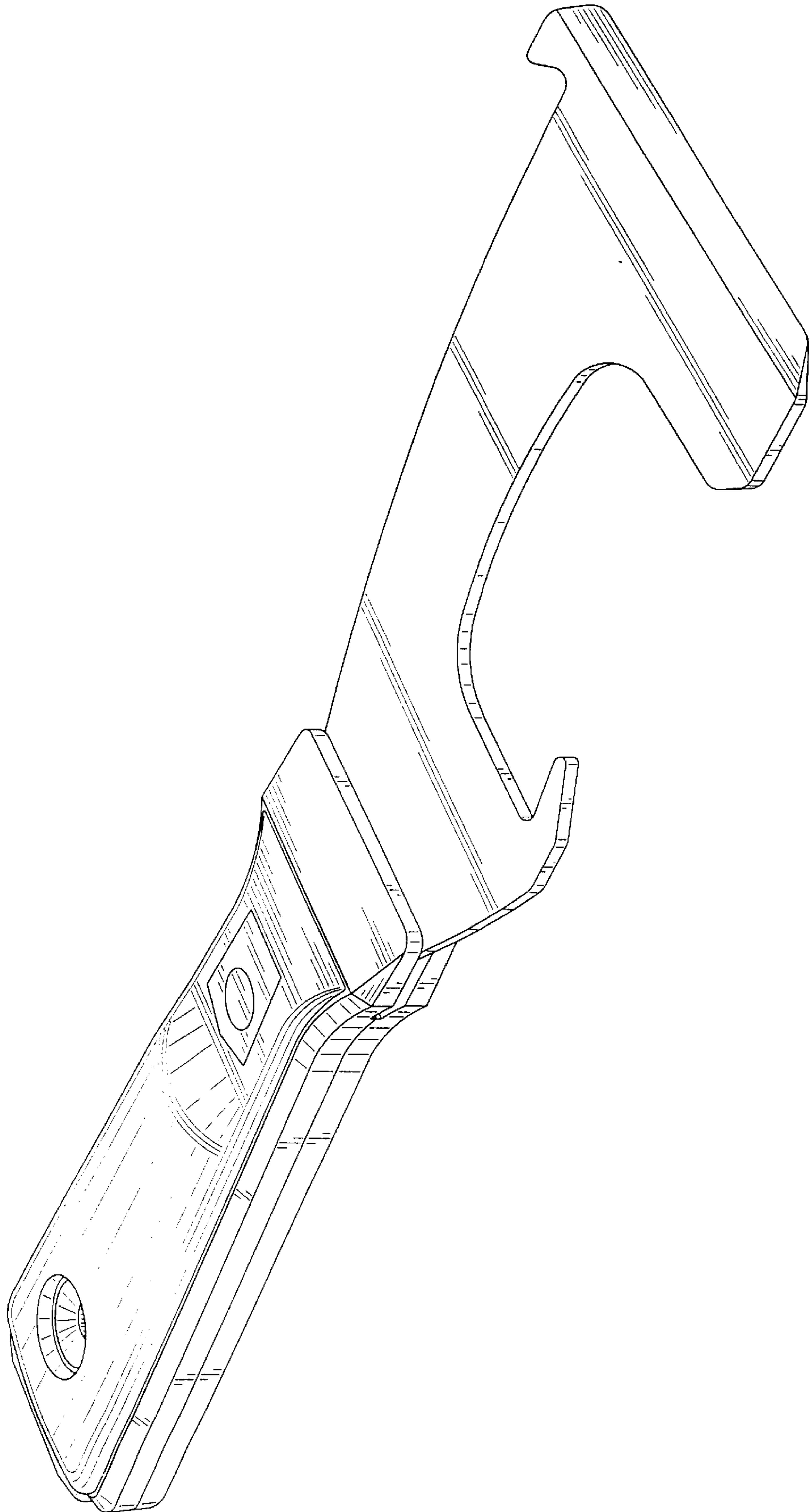


FIG. 1

FIG. 2

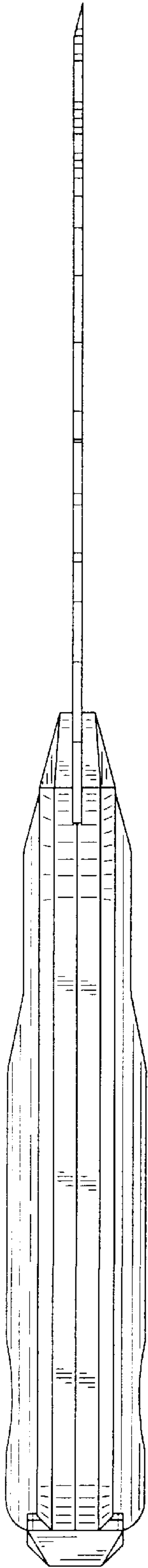


FIG. 3

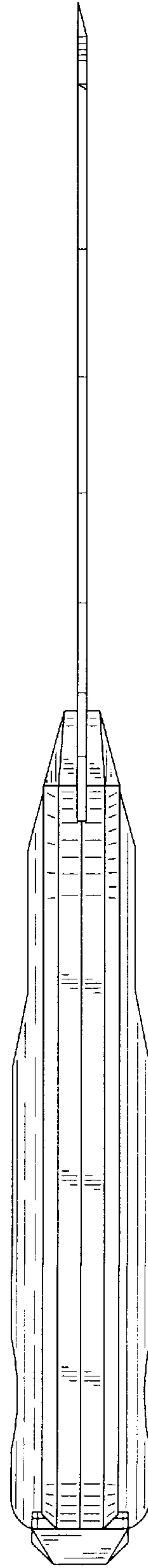


FIG. 4

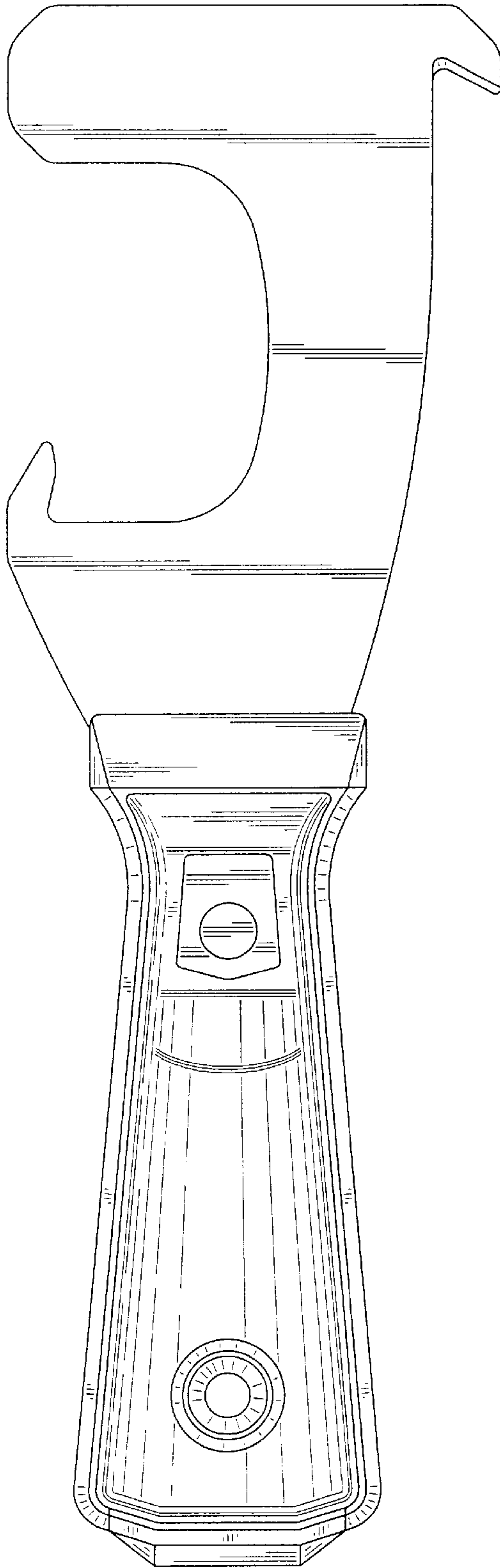


FIG. 5

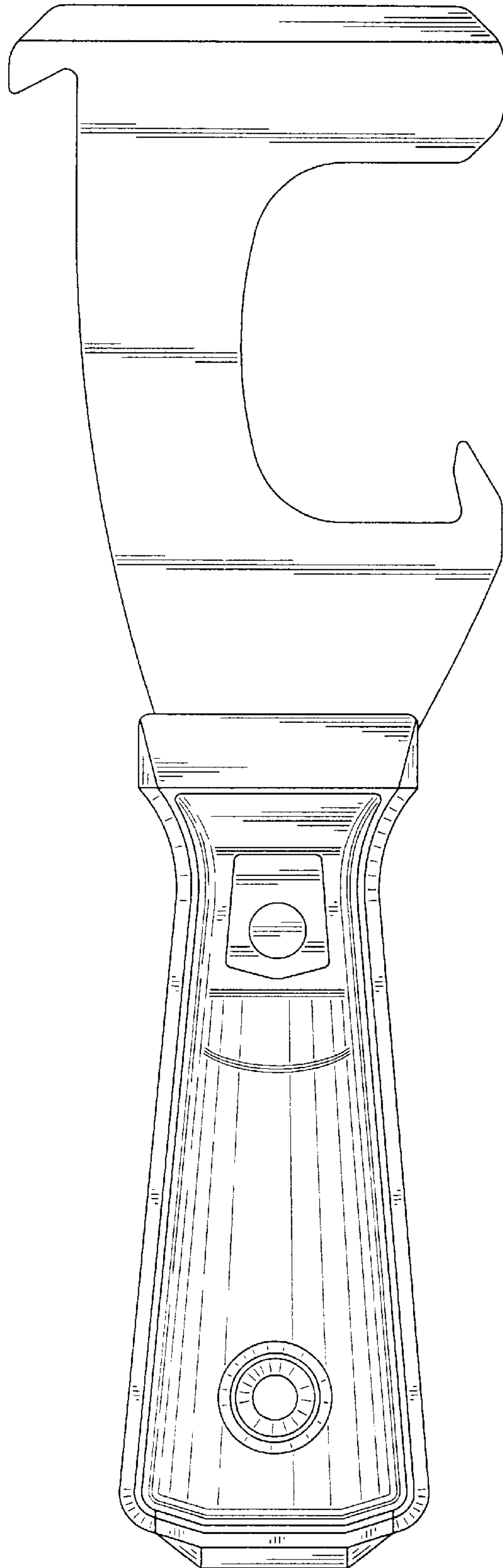


FIG. 6

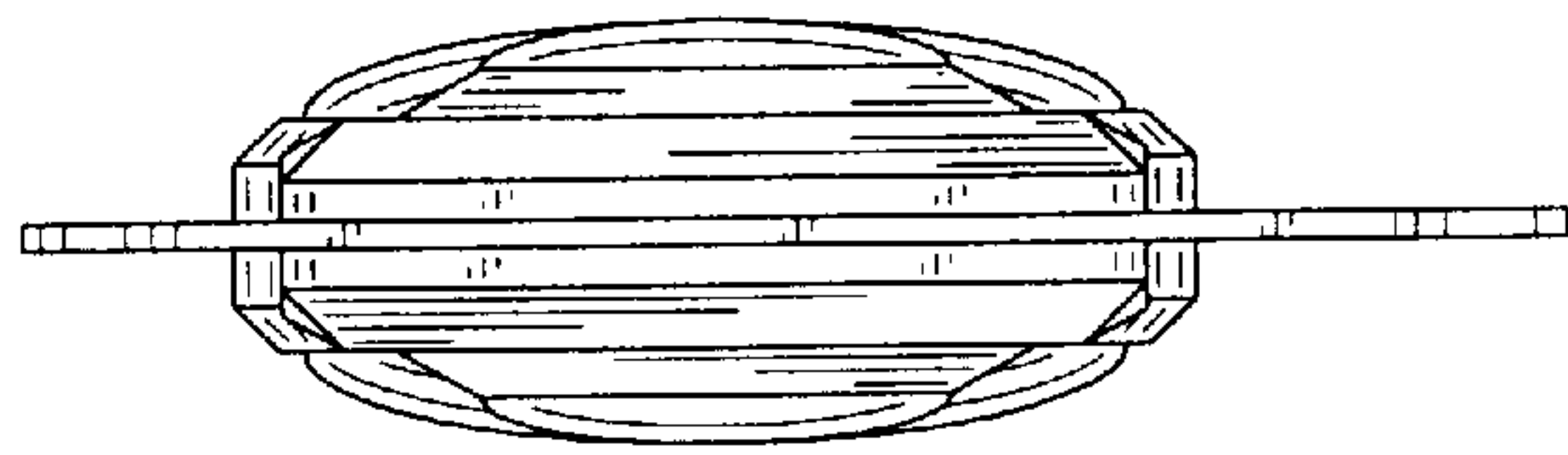


FIG. 7

