



US00D405665S

United States Patent [19]

[11] Patent Number: **Des. 405,665**

Whitehead et al.

[45] Date of Patent: ****Feb. 16, 1999**

[54] **SNOW PUSHER SCOOP**

[75] Inventors: **Stephen P. Whitehead**, Elgin; **Lyle A. Rosine**; **Torrence C. Anderson**, both of Aurora, all of Ill.

[73] Assignee: **Suncast Corporation**, Batavia, Ill.

[**] Term: **14 Years**

[21] Appl. No.: **84,777**

[22] Filed: **Mar. 10, 1998**

[51] **LOC (6) Cl.** **08-01**

[52] **U.S. Cl.** **D8/10**

[58] **Field of Search** D8/10; 294/49, 294/55, 54.5, 50.5

[56] References Cited

U.S. PATENT DOCUMENTS

D. 213,630	3/1969	Hoxie	D8/1
D. 214,662	7/1969	Portz	D8/10
D. 257,210	10/1980	Bonnes	D8/10
D. 261,351	10/1981	Carper	D8/10
D. 267,468	1/1983	Simms	D8/10
D. 269,490	6/1983	Germain	D8/1
D. 284,733	7/1986	Hozumi	D8/10
D. 291,863	9/1987	Kolonia	D8/10
D. 296,410	6/1988	Abbott	D8/10
D. 306,962	4/1990	Schuele	D8/13
D. 328,553	8/1992	Norton et al.	D8/10
D. 331,652	12/1992	Wu	D34/27
D. 350,166	8/1994	Kino	D21/120
D. 360,564	7/1995	Tisbo et al.	D8/10
D. 363,653	10/1995	Tisbo et al.	D8/10
366,099	7/1887	Hinchman	.
D. 375,235	11/1996	Spear	D8/10
D. 384,559	10/1997	Tisbo et al.	D8/10
D. 384,866	10/1997	Tisbo et al.	D8/10
D. 385,160	10/1997	Tisbo et al.	D8/10
D. 390,431	2/1998	Whitehead et al.	.
D. 392,520	3/1998	Tisbo et al.	.
D. 392,521	3/1998	Tisbo et al.	.
D. 393,990	5/1998	Whitehead et al.	.
D. 393,991	5/1998	Tisbo et al.	.
678,373	7/1901	Blaser	.
864,338	8/1907	Schertzer	.
930,660	8/1909	Gifford	.

964,453	7/1910	Robarge	.
967,270	8/1910	Tiedt	.
1,042,352	10/1912	Kohler	.
1,260,276	3/1918	Miller	.
1,435,061	11/1922	Halsey	.
1,839,285	1/1932	Winkie	.
1,931,349	10/1933	Habig	.
3,119,596	1/1964	Pratt 254/131.5

(List continued on next page.)

FOREIGN PATENT DOCUMENTS

237243	12/1959	Australia	.
2285163	4/1976	France	.
641210	8/1933	Germany	.
687817	1/1940	Germany	.
369590	3/1939	Italy	.
1009947	11/1965	United Kingdom	.
1173714	12/1969	United Kingdom	.
1424565	2/1976	United Kingdom	.
2063142	6/1981	United Kingdom	.

OTHER PUBLICATIONS

Protest of Melnor—Filed in U.S. Reissue Patent Application No. 08/693,799.

Protest of Union Tools—Filed in U.S. Reissue Patent Application No. 08/693,799.

Union Fork Hoe Catalog, Dec. 1986, p. 18. Shovel, Item No. 4 (Located in Examiner's Office).

Primary Examiner—Holly Baynham

Attorney, Agent, or Firm—Welsh & Katz, Ltd.

[57] CLAIM

The ornamental design for a snow pusher scoop, as shown.

DESCRIPTION

FIG. 1 is a perspective view of a snow pusher scoop showing our new design;

FIG. 2 is a front view thereof;

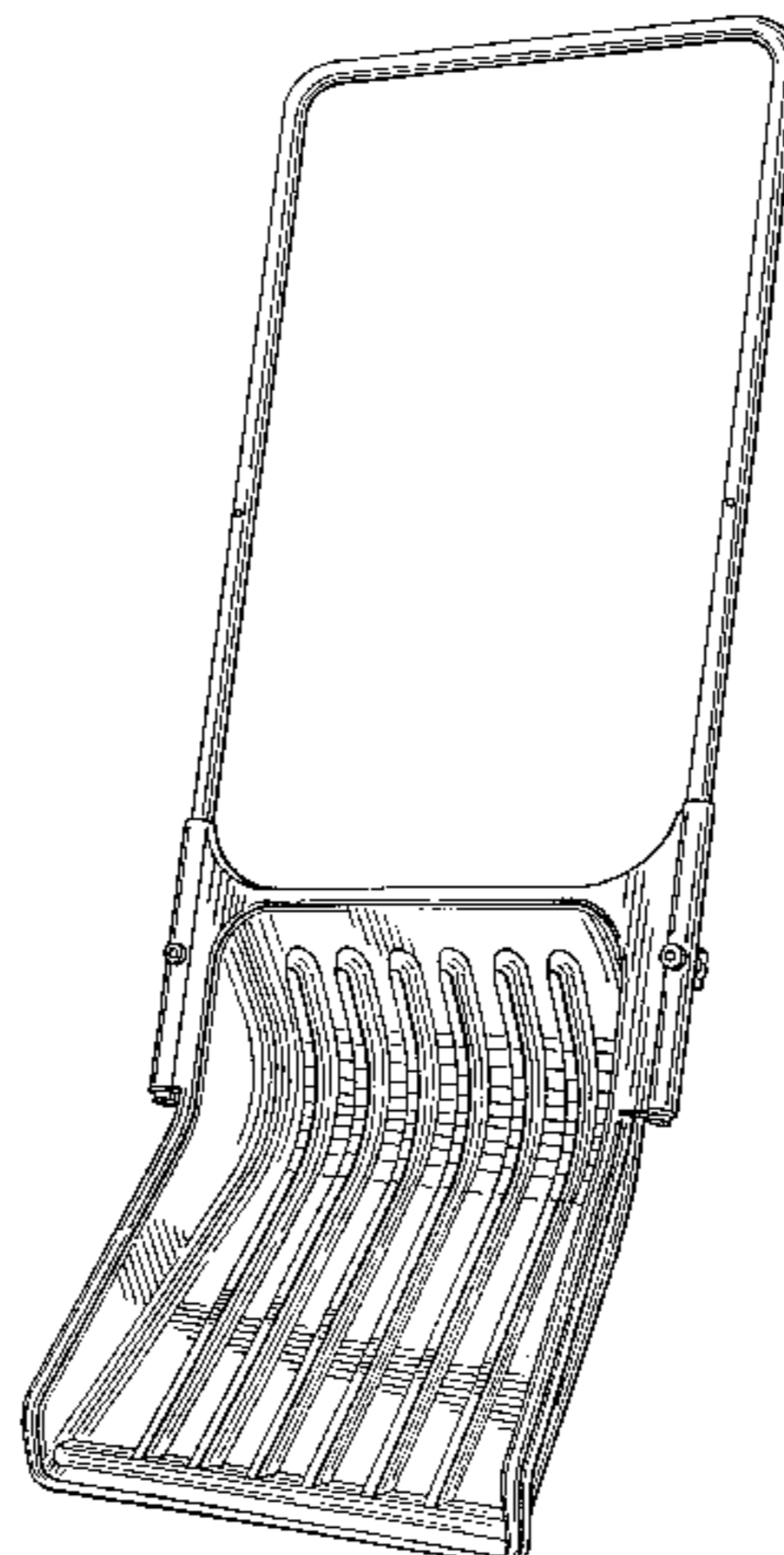
FIG. 3 is a right side view thereof; the left side being symmetrical thereto;

FIG. 4 is a back view thereof;

FIG. 5 is a top view thereof; and,

FIG. 6 is a bottom view thereof.

1 Claim, 4 Drawing Sheets



Des. 405,665

Page 2

U.S. PATENT DOCUMENTS

3,177,026	4/1965	Cowan	294/54	4,690,447	9/1987	Adams	294/57
3,680,641	8/1972	Hein	172/371	4,848,073	7/1989	Germain et al.	56/400.17
4,149,744	4/1979	Bonnes	294/54	4,878,704	11/1989	Jacanin, Jr. et al.	294/54.5
4,247,141	1/1981	Grint	294/49	4,991,324	2/1991	Fine et al.	37/284
4,280,727	7/1981	Germain	294/54	4,993,768	2/1991	Ewen	294/51
4,538,847	9/1985	Lapshansky	294/51	5,228,734	7/1993	Pollastro	294/54.5
4,655,494	4/1987	Eads et al.	294/49	5,419,600	5/1995	Tisbo et al.	294/54.5
				5,435,063	7/1995	Russo	30/164.5

FIG. 1

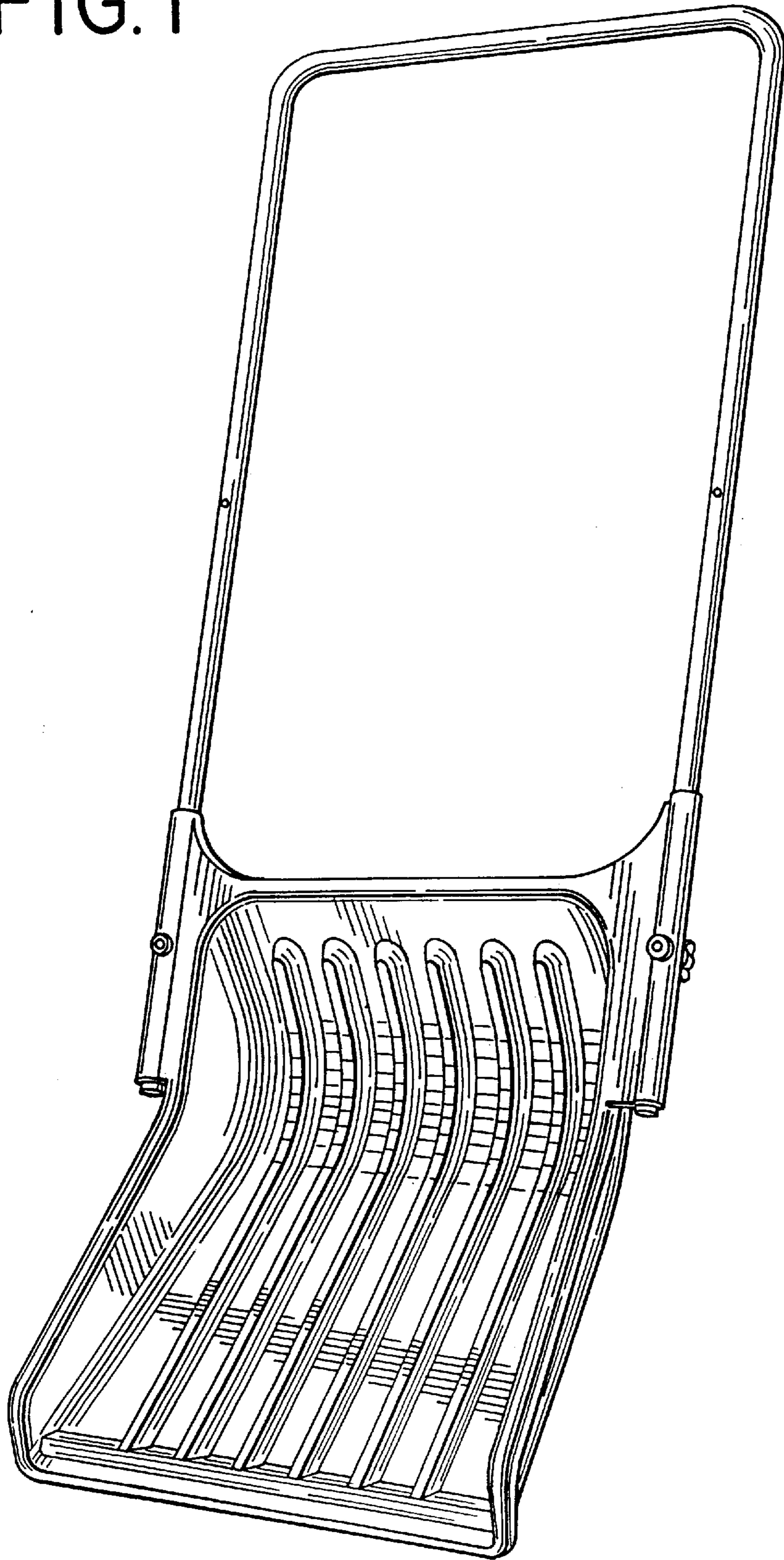


FIG.2

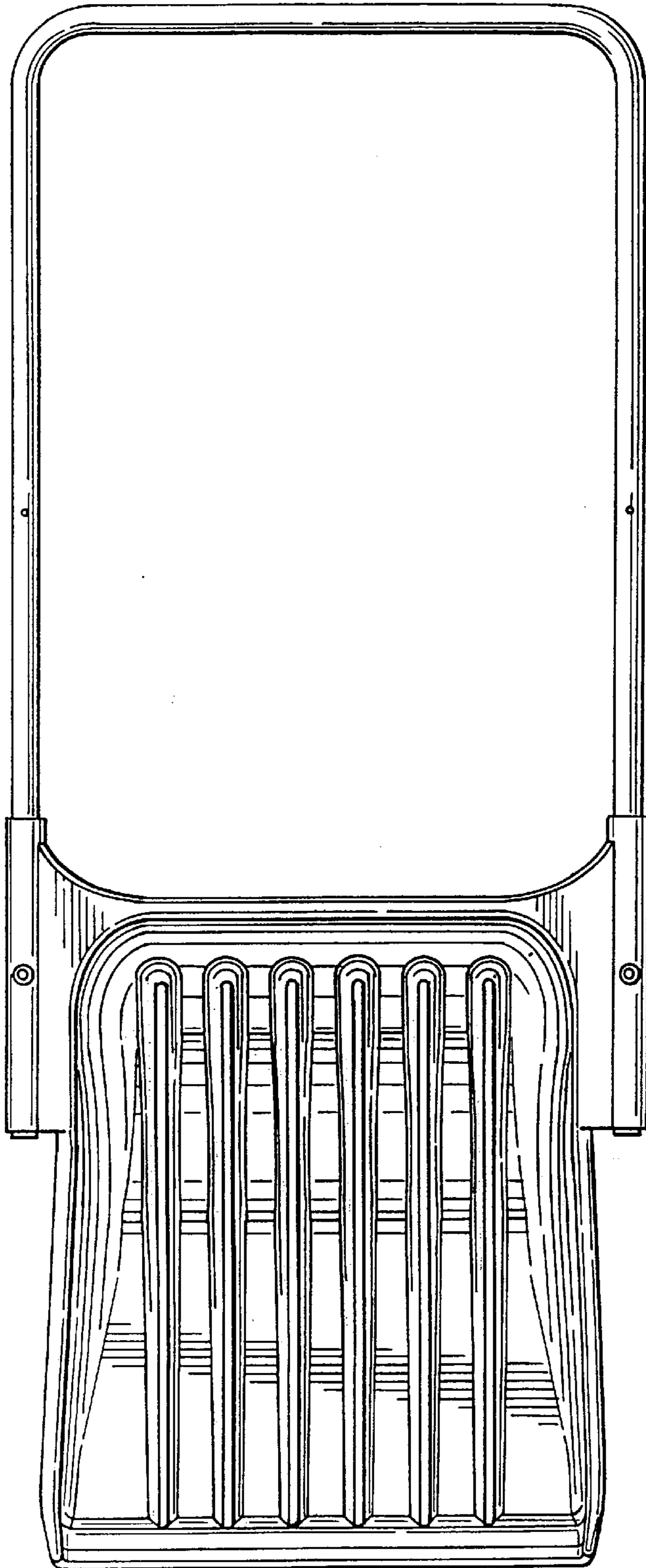


FIG.3

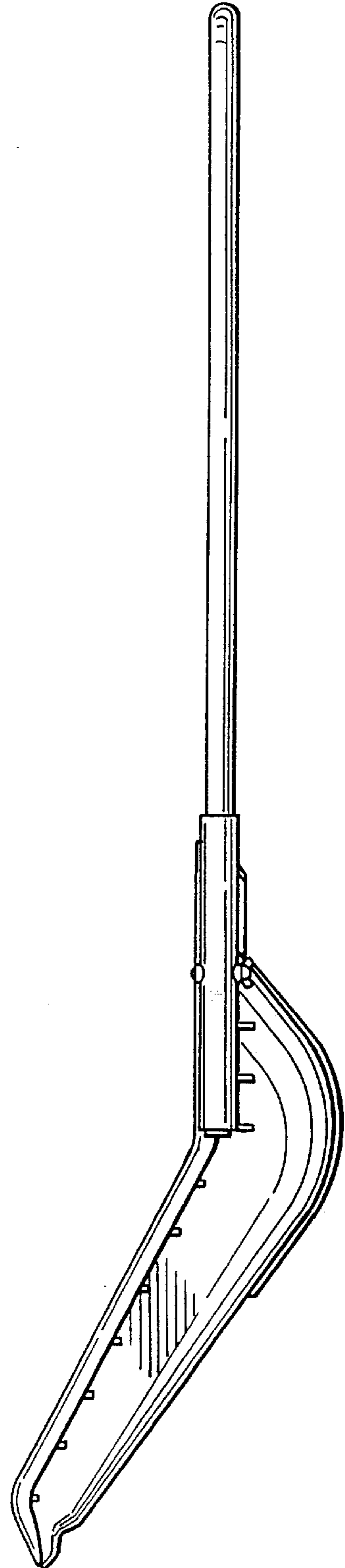


FIG.4

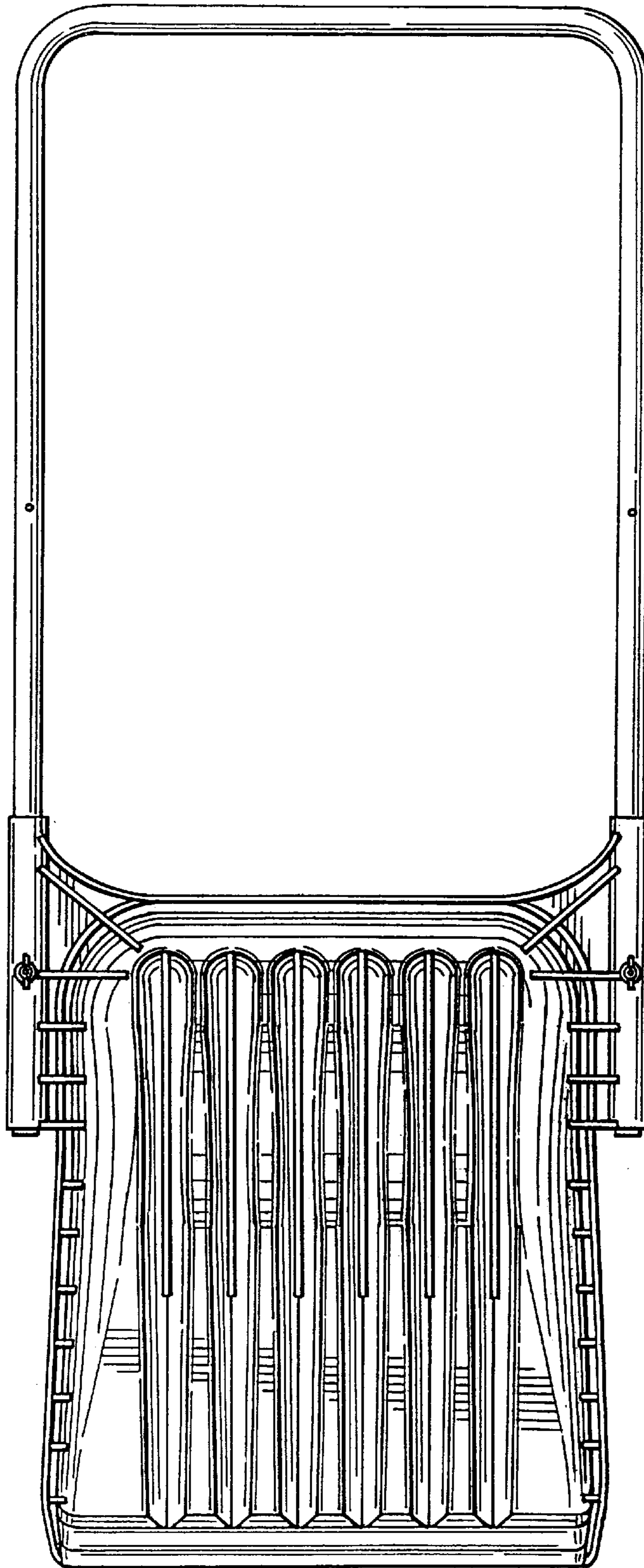


FIG.5

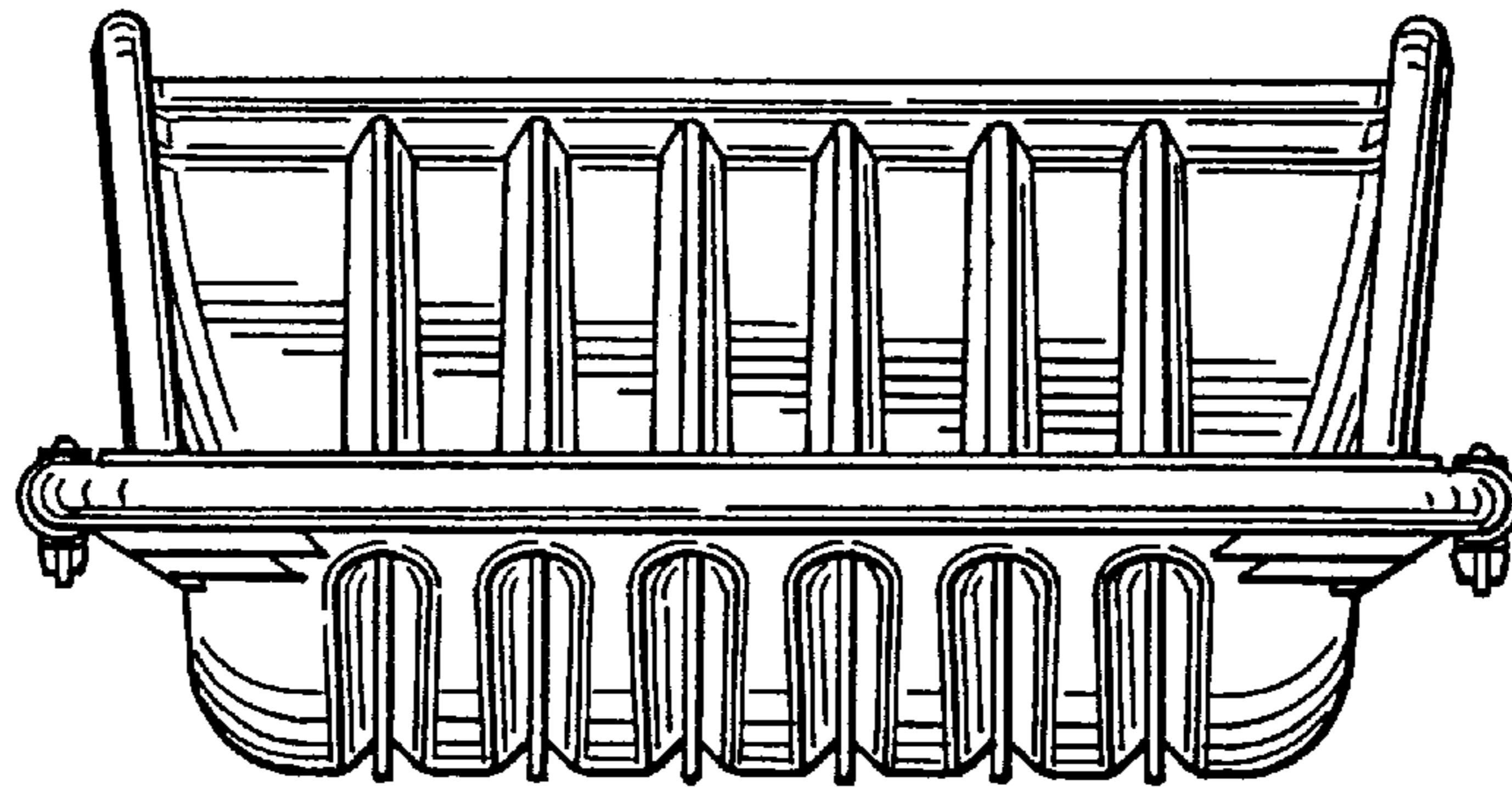


FIG.6

