



US00D405664S

United States Patent [19] Stryd

[11] **Patent Number: Des. 405,664**

[45] **Date of Patent: **Feb. 16, 1999**

[54] **SNOW SLIDER FRAME**

[76] Inventor: **Thomas N. Stryd**, 7907 W. "R" Ave.,
Kalamazoo, Mich. 49009-8938

[**] Term: **14 Years**

[21] Appl. No.: **67,299**

[22] Filed: **Mar. 3, 1997**

[51] **LOC (6) Cl. 08-01**

[52] **U.S. Cl. D8/10**

[58] **Field of Search D8/10; 294/54.5,
294/53.5, 57, 58; 37/285**

[56] **References Cited**

U.S. PATENT DOCUMENTS

3,998,486 12/1976 Mittelstadt .

5,465,510 11/1995 Goodnough et al. 37/285

Primary Examiner—Holly Baynham

Attorney, Agent, or Firm—Flynn, Thiel, Boutell & Tanis,
P.C.

[57] **CLAIM**

The ornamental design of a snow slider frame, as shown and described.

DESCRIPTION

FIG. 1 is a front, top, left side isometric view showing a first embodiment of the snow slider frame of my design;

FIG. 2 is a top plan view thereof;

FIG. 3 is a left side elevational view thereof, the right side being a mirror image thereof;

FIG. 4 is a bottom view thereof;

FIG. 5 is a front view thereof;

FIG. 6 is a rear view thereof;

FIG. 7 is a front, top, left side isometric view of a modification of the first embodiment;

FIG. 8 is a front, top, left side isometric view showing a second embodiment of the snow slider frame of my design, the front and rear view being identical to FIGS. 5 and 6;

FIG. 9 is a top view thereof;

FIG. 10 is a left side elevational view thereof, the right side being a mirror image thereof;

FIG. 11 is a bottom view thereof;

FIG. 12 is a front, top, left side isometric view of a modification of the second embodiment thereof;

FIG. 13 is a front, top, left side isometric view showing a third embodiment of the snow slider frame of my design;

FIG. 14 is a front, top, left side isometric view of a modification of the third embodiment thereof;

FIG. 15 is a top view of FIG. 14;

FIG. 16 is a sectional view taken along line 16—16 in FIG. 14;

FIG. 17 is a bottom view showing a fourth embodiment of the snow slider frame of my design, the front, top, rear, left and right views being identical to the first embodiment;

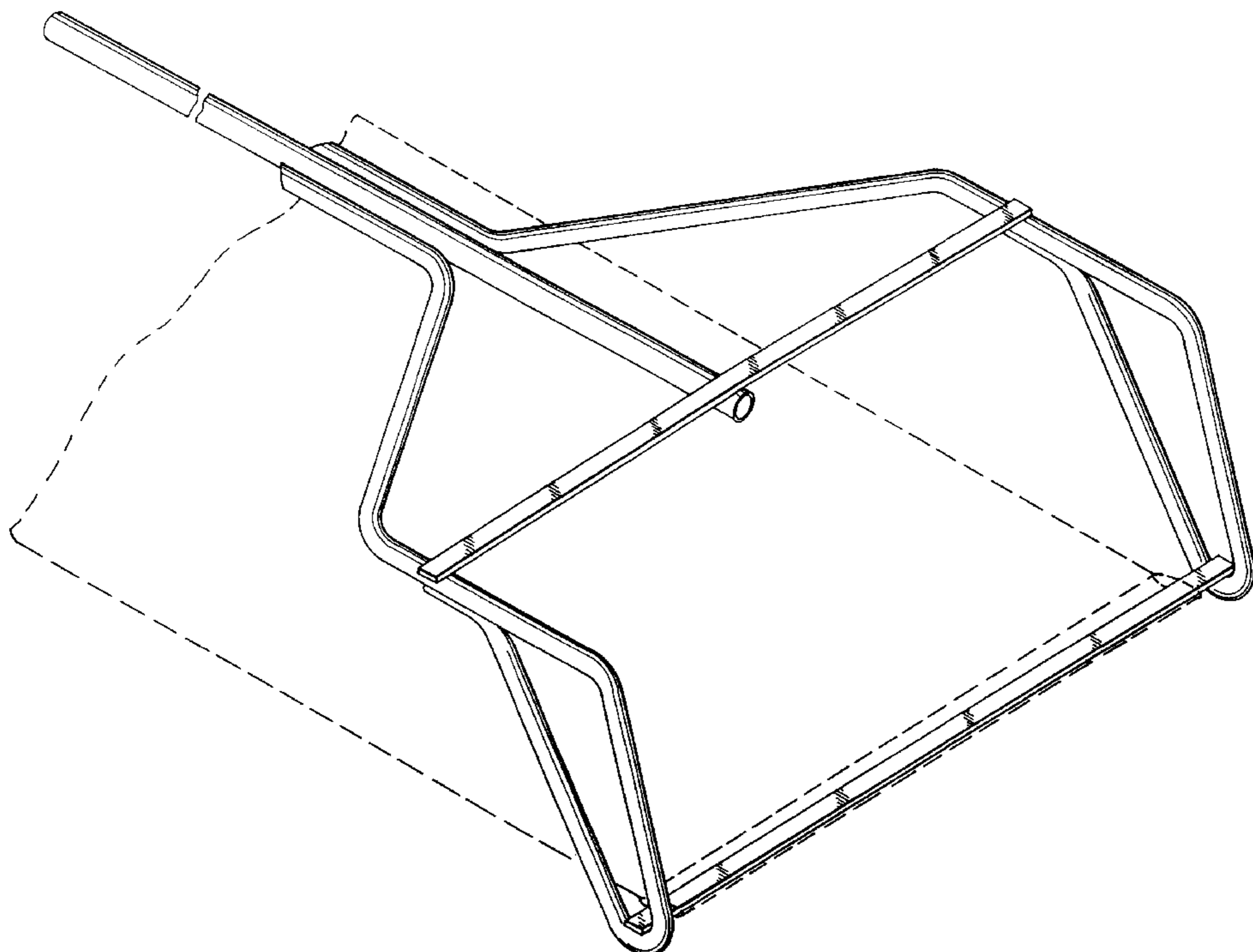
FIG. 18 is a perspective view showing a fifth embodiment of the snow slider frame of my design; and,

FIG. 19 is an enlarged partial view of FIG.18.

The snow sliding sheet illustrated by broken line in FIGS. 1, 7, 8, 12, 18 and 19 and the bars in FIGS. 13—15 are for environmental purposes only and form no part of the claimed design.

The shaft is shown broken away to indicate indeterminate length.

1 Claim, 18 Drawing Sheets



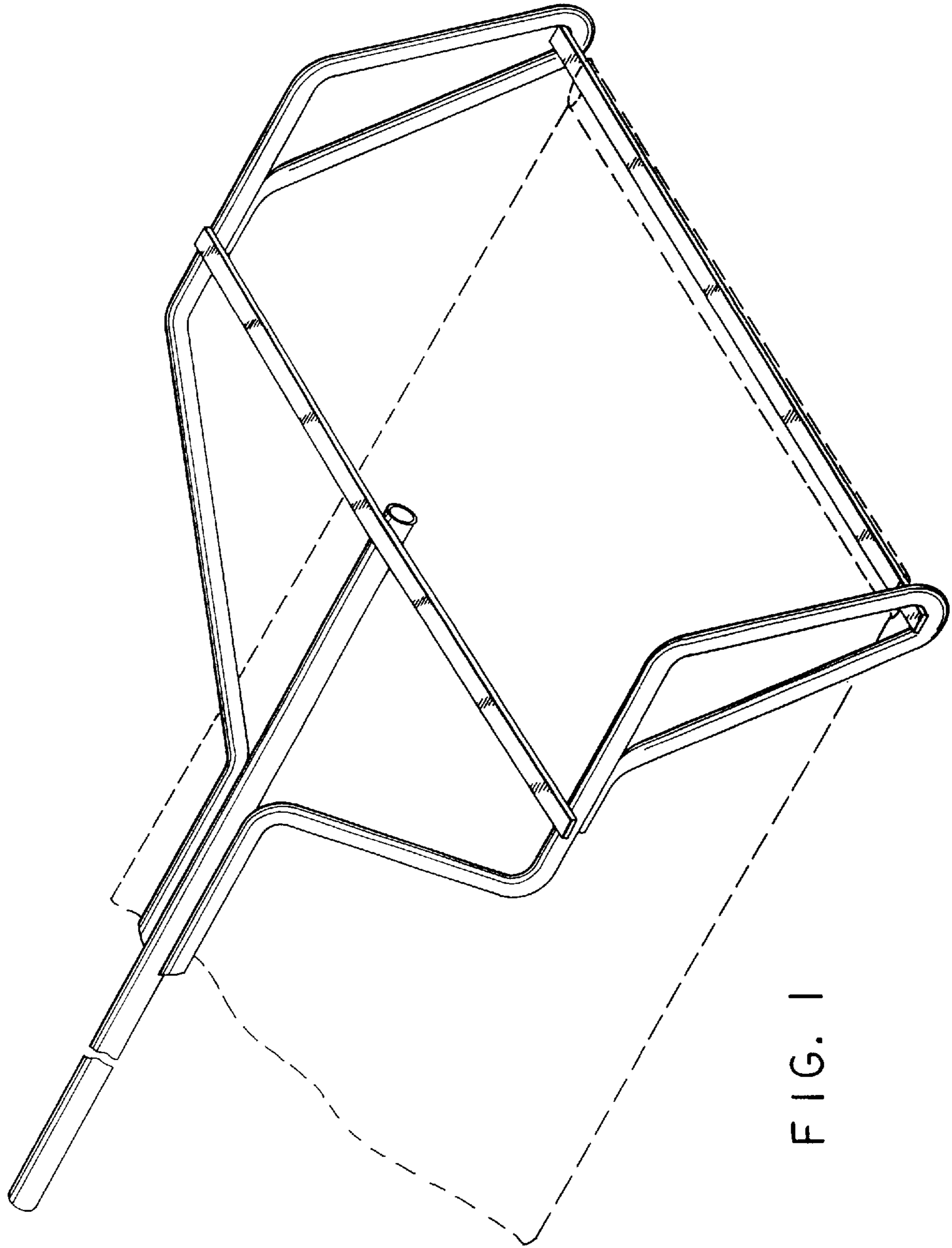


FIG. 1

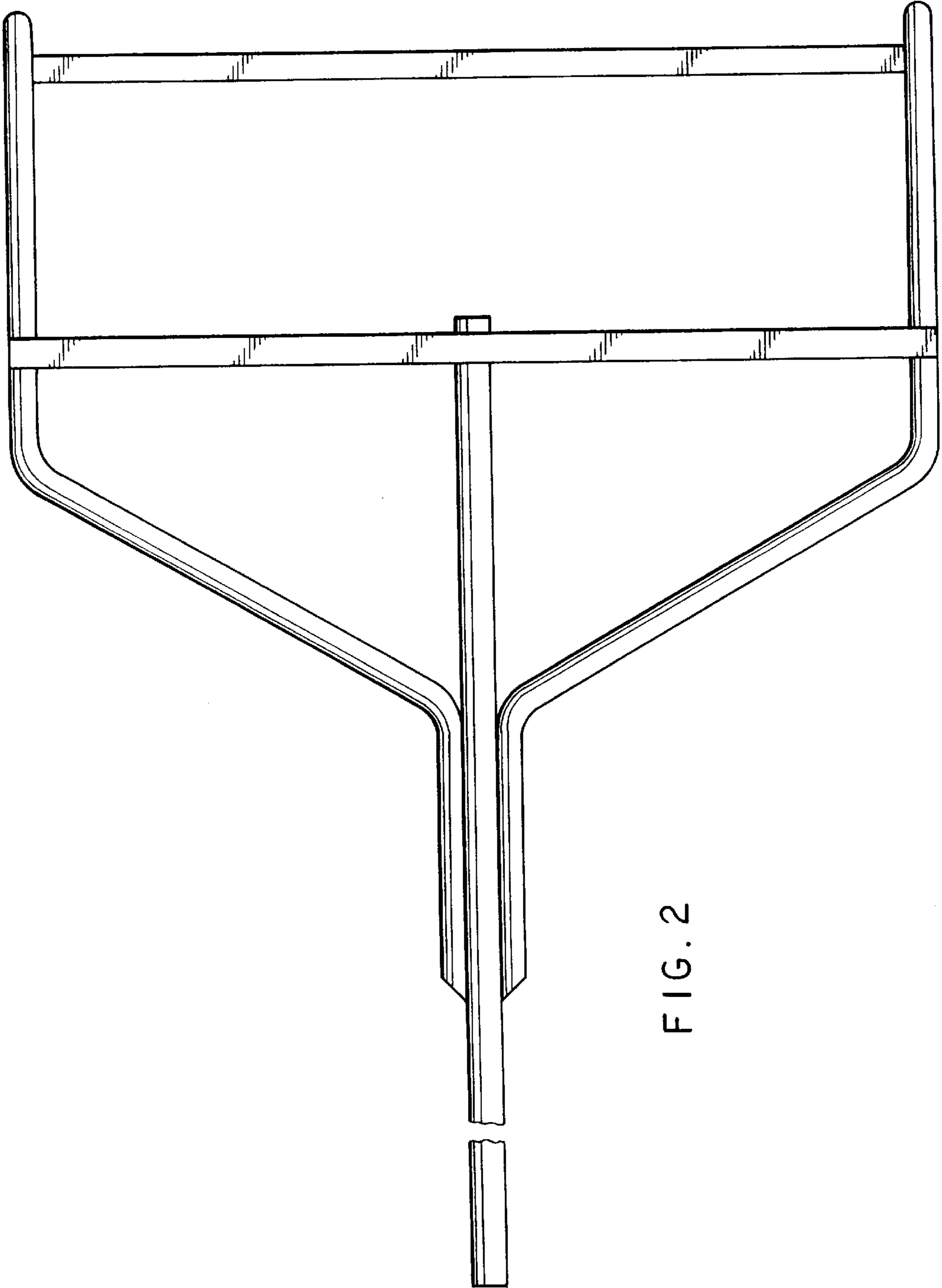


FIG. 2

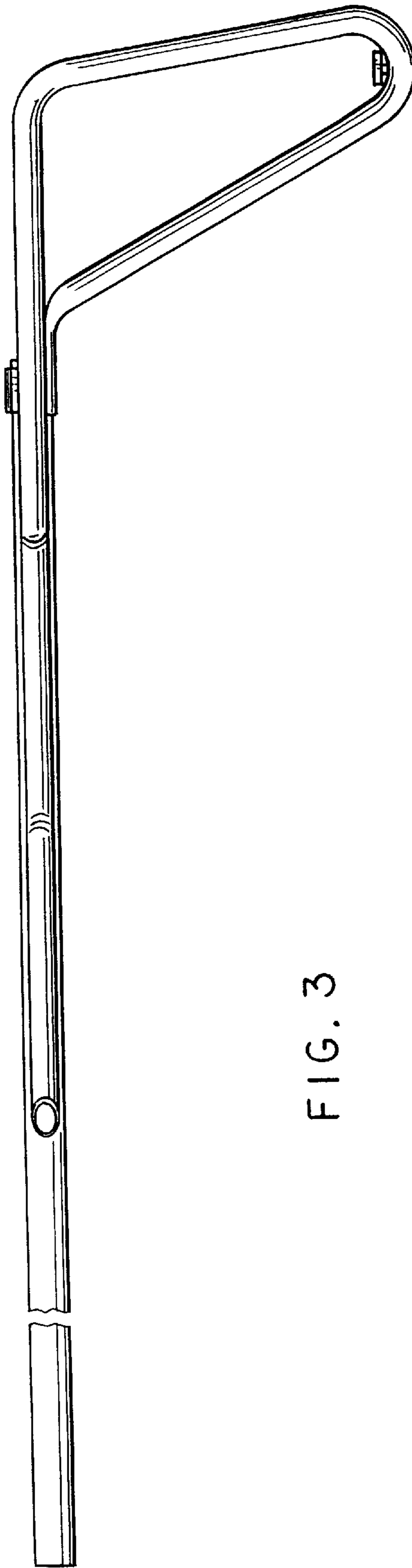


FIG. 3

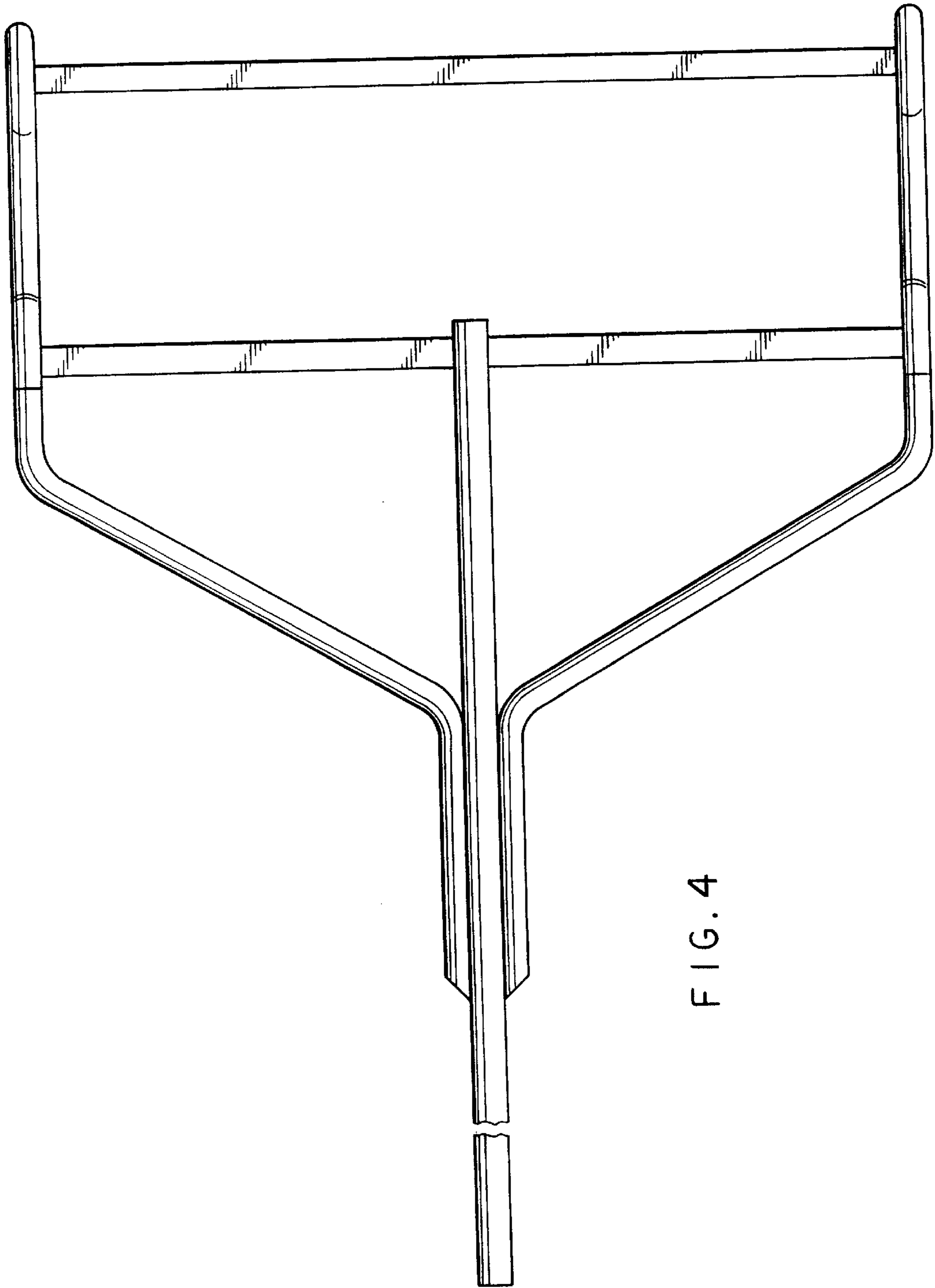


FIG. 4

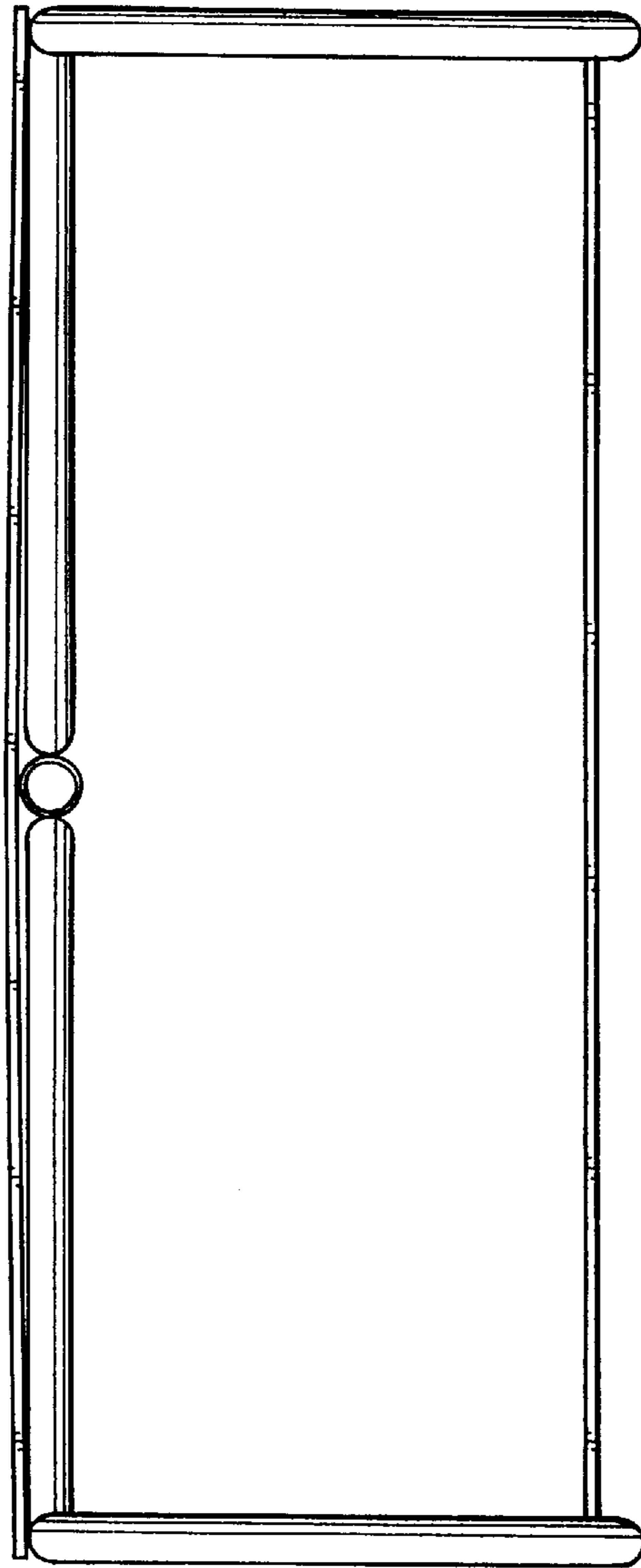


FIG. 5

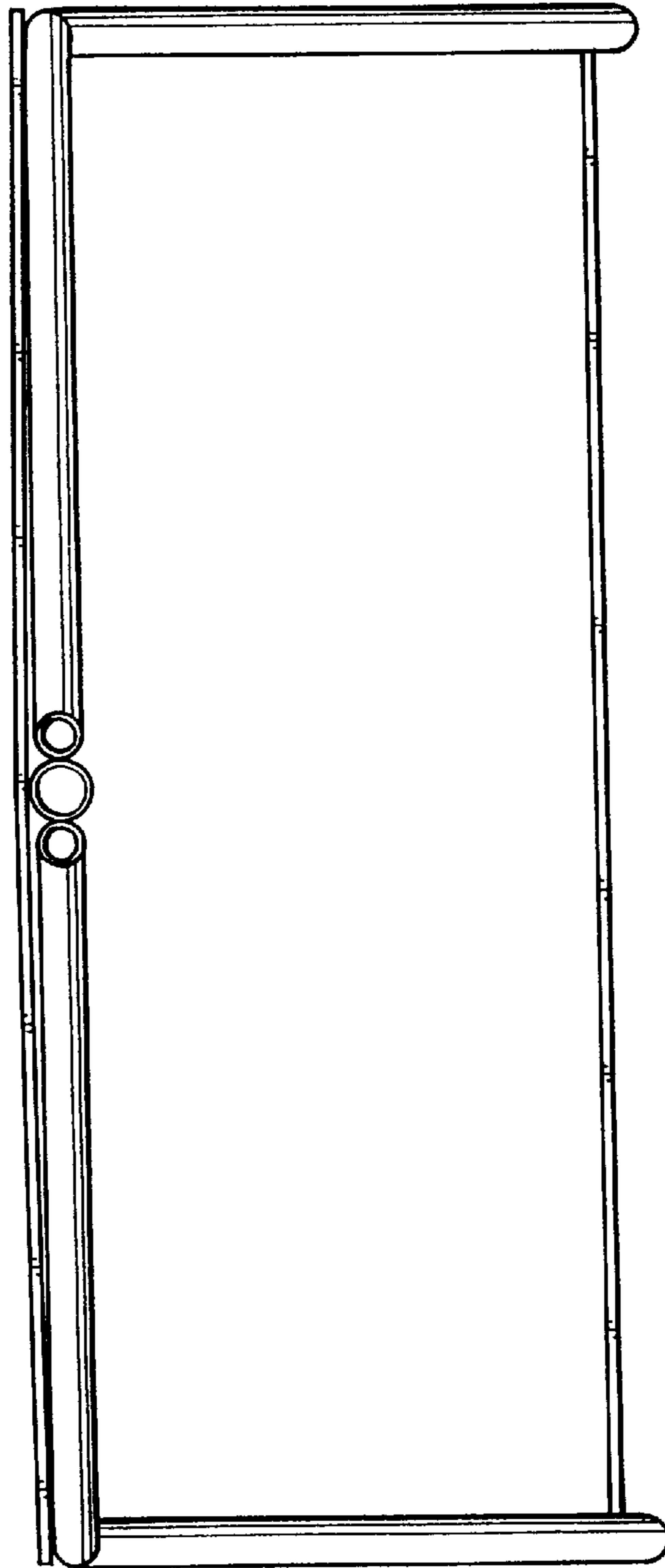


FIG. 6

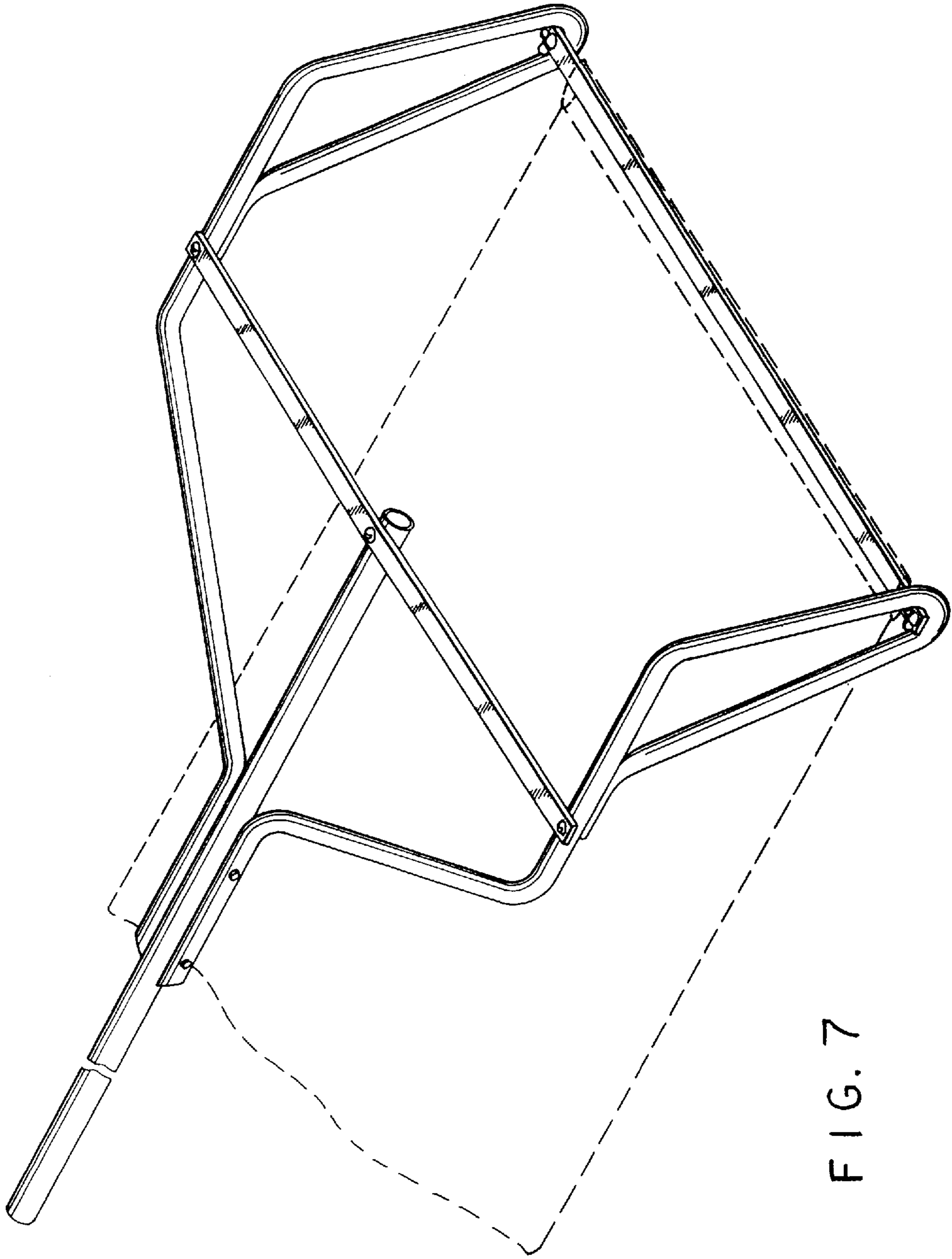


FIG. 7

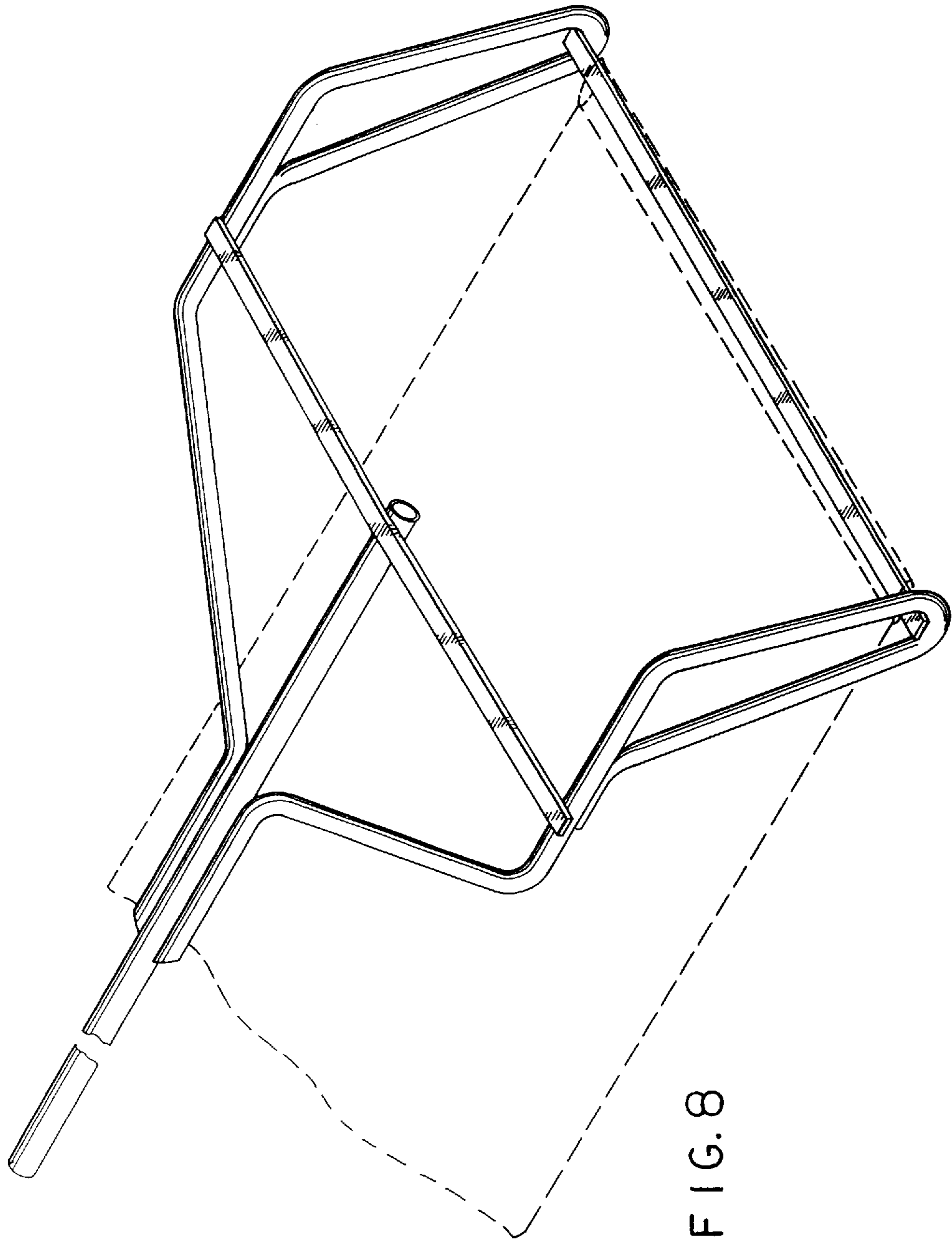


FIG. 8

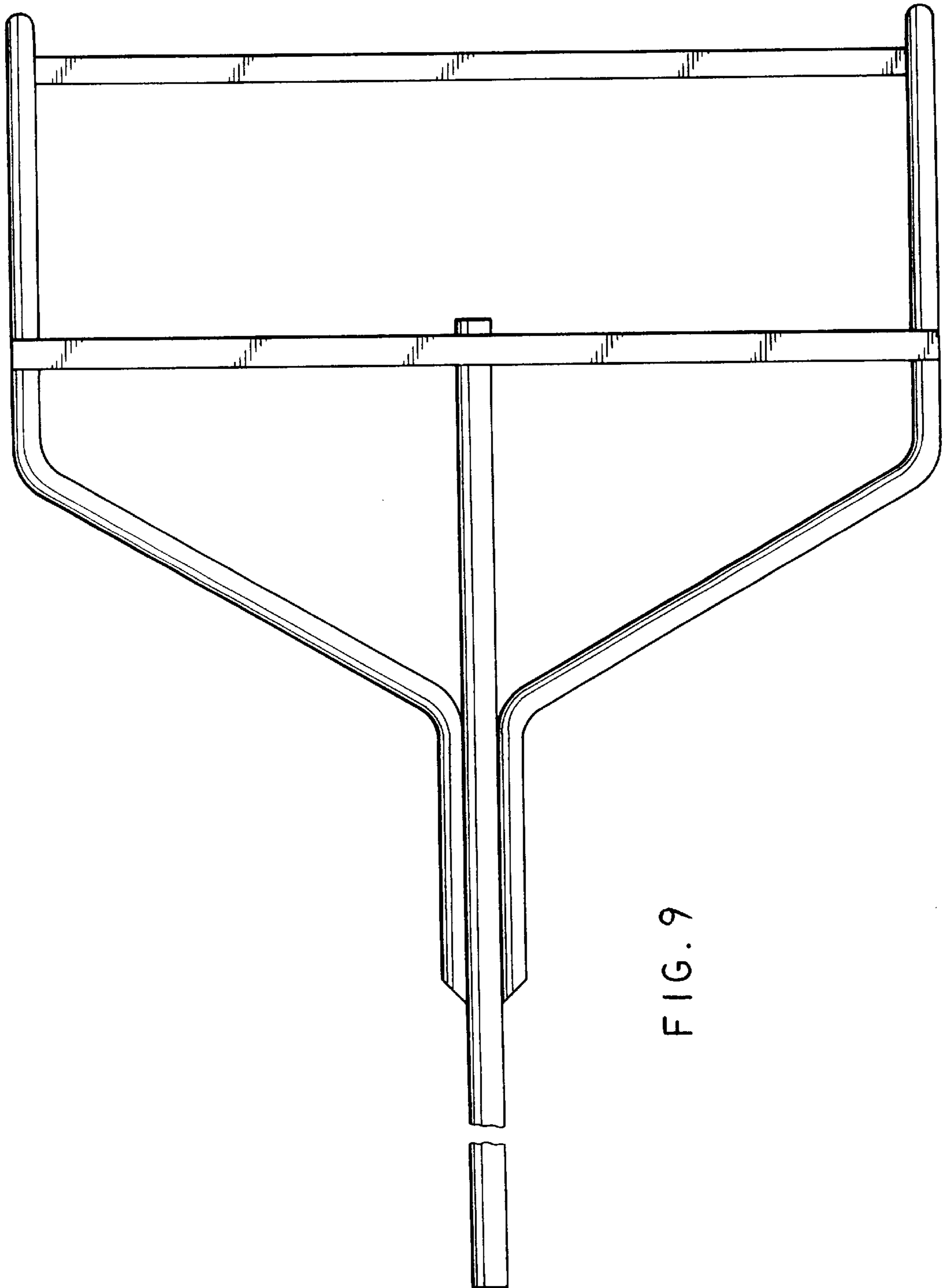


FIG. 9

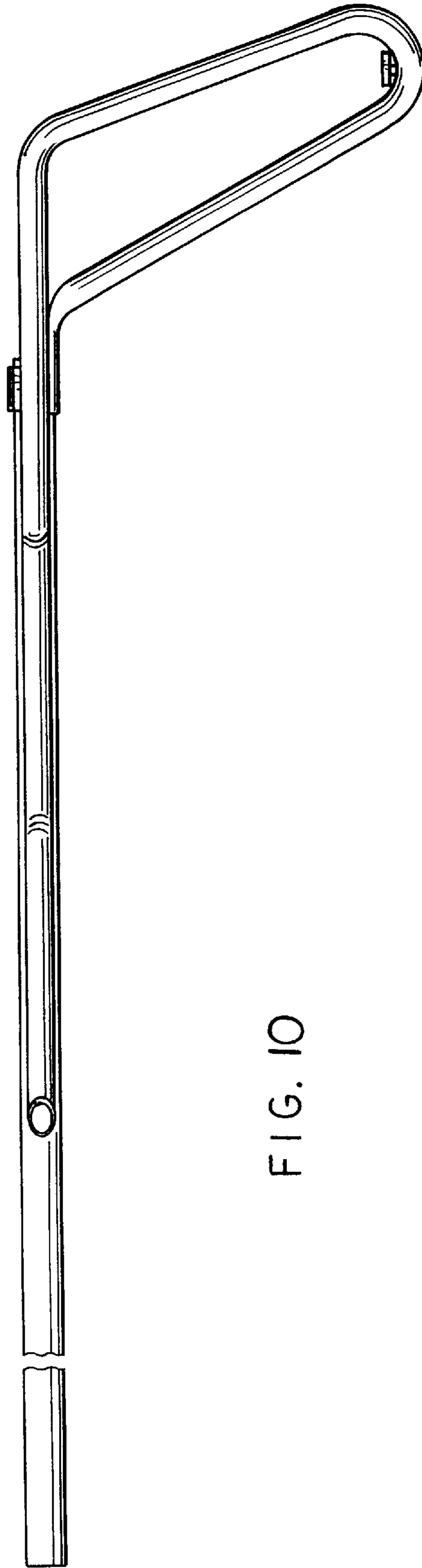


FIG. 10

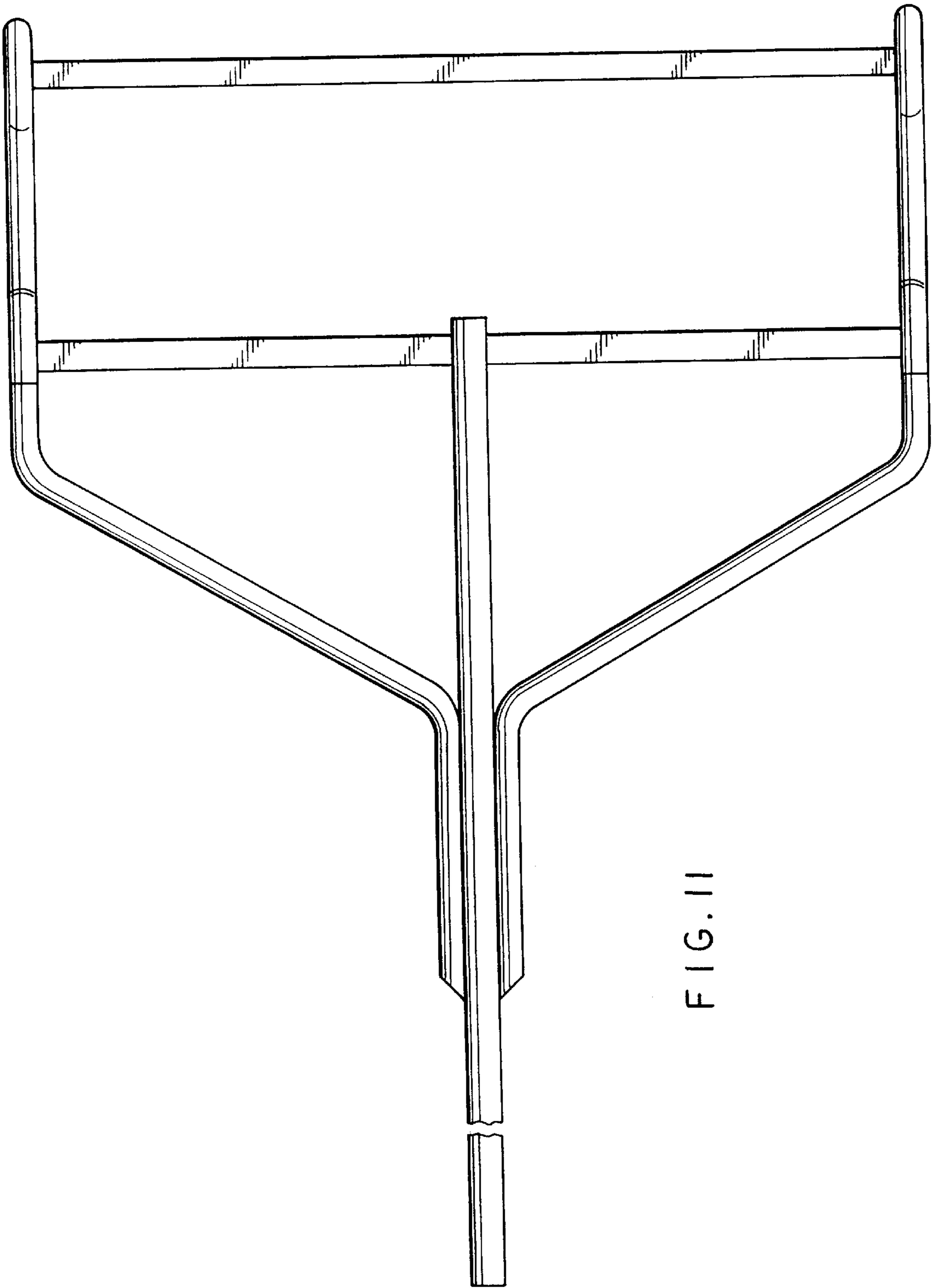


FIG. II

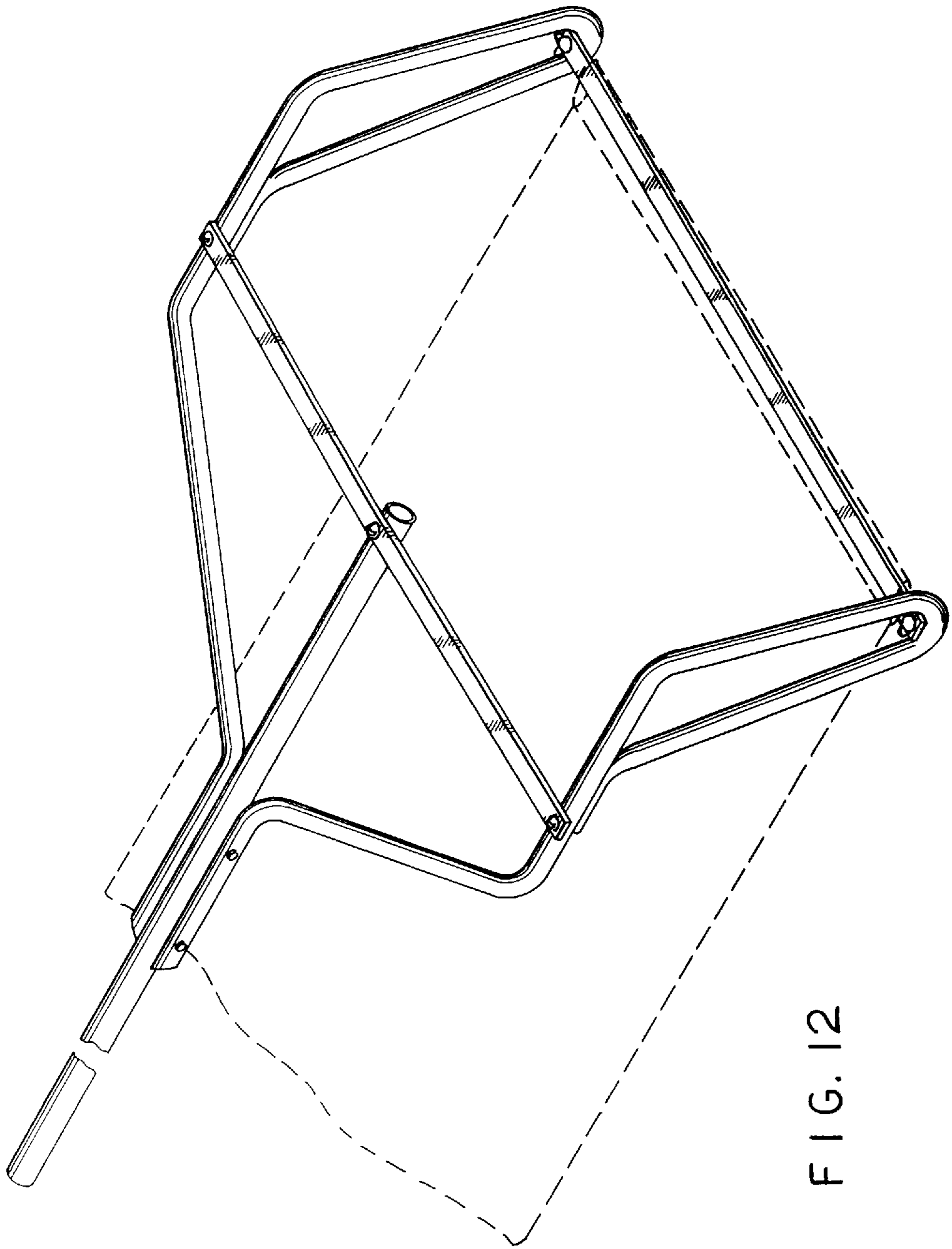


FIG. 12

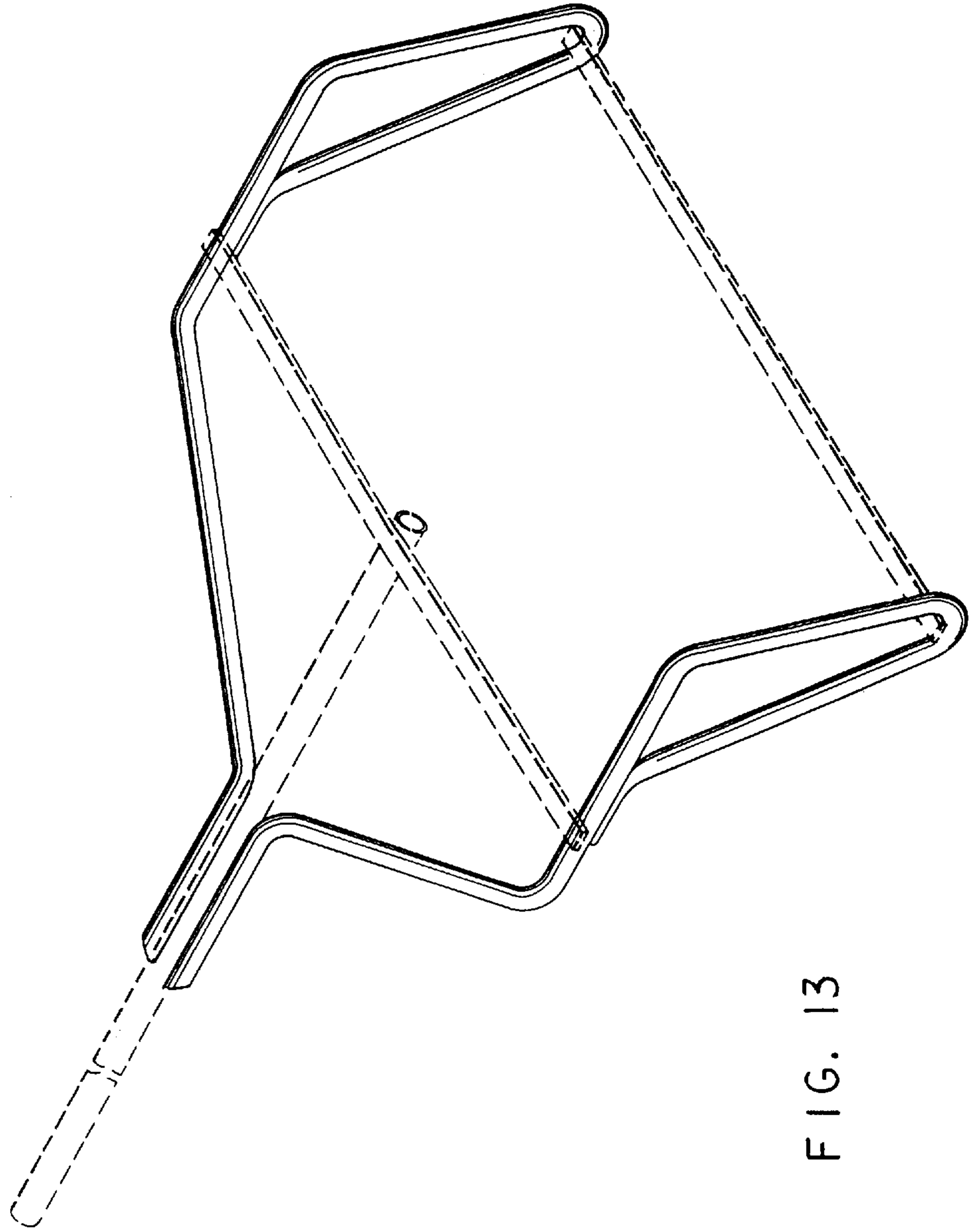


FIG. 13

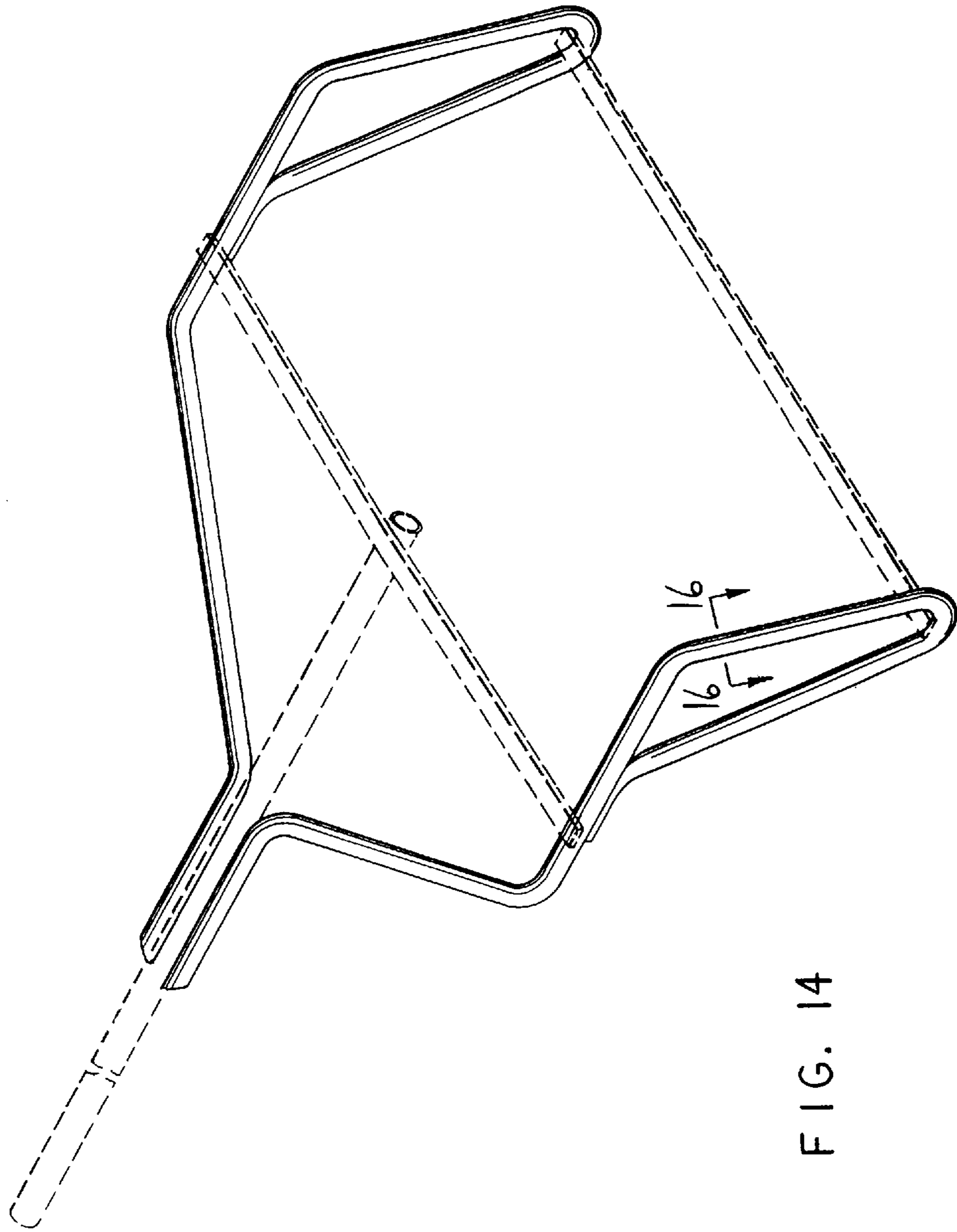


FIG. 14

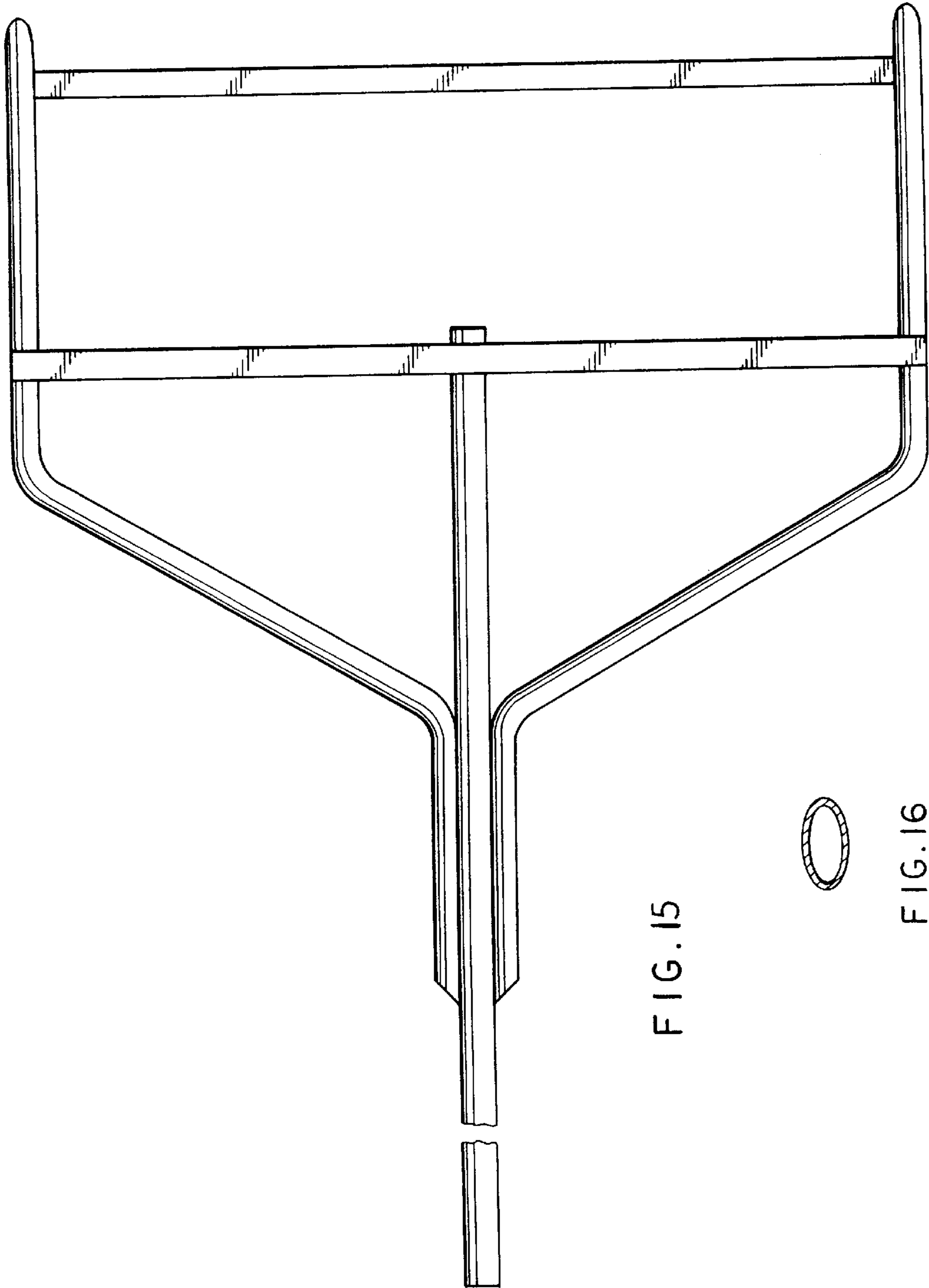


FIG. 15

FIG. 16

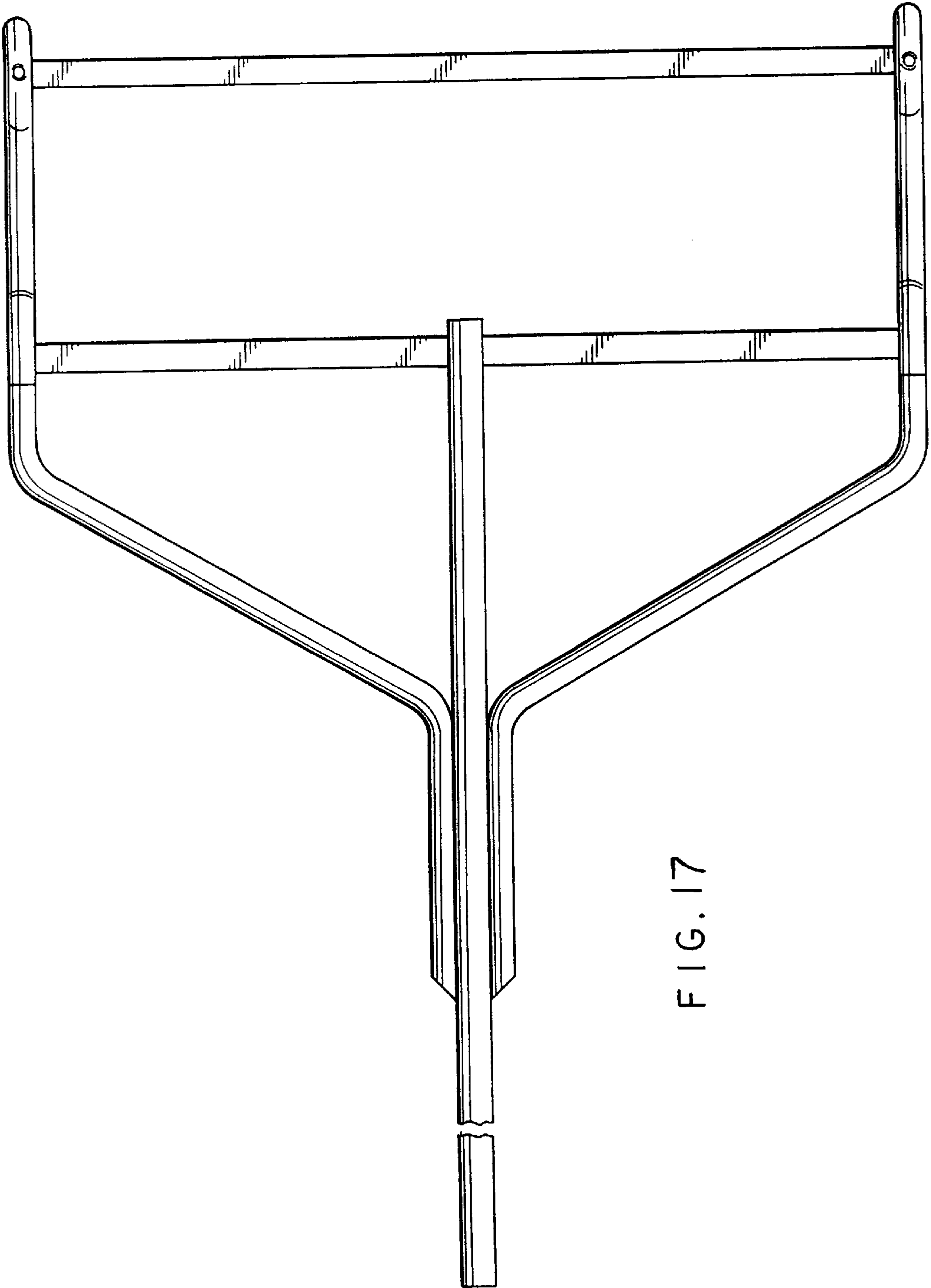


FIG. 17

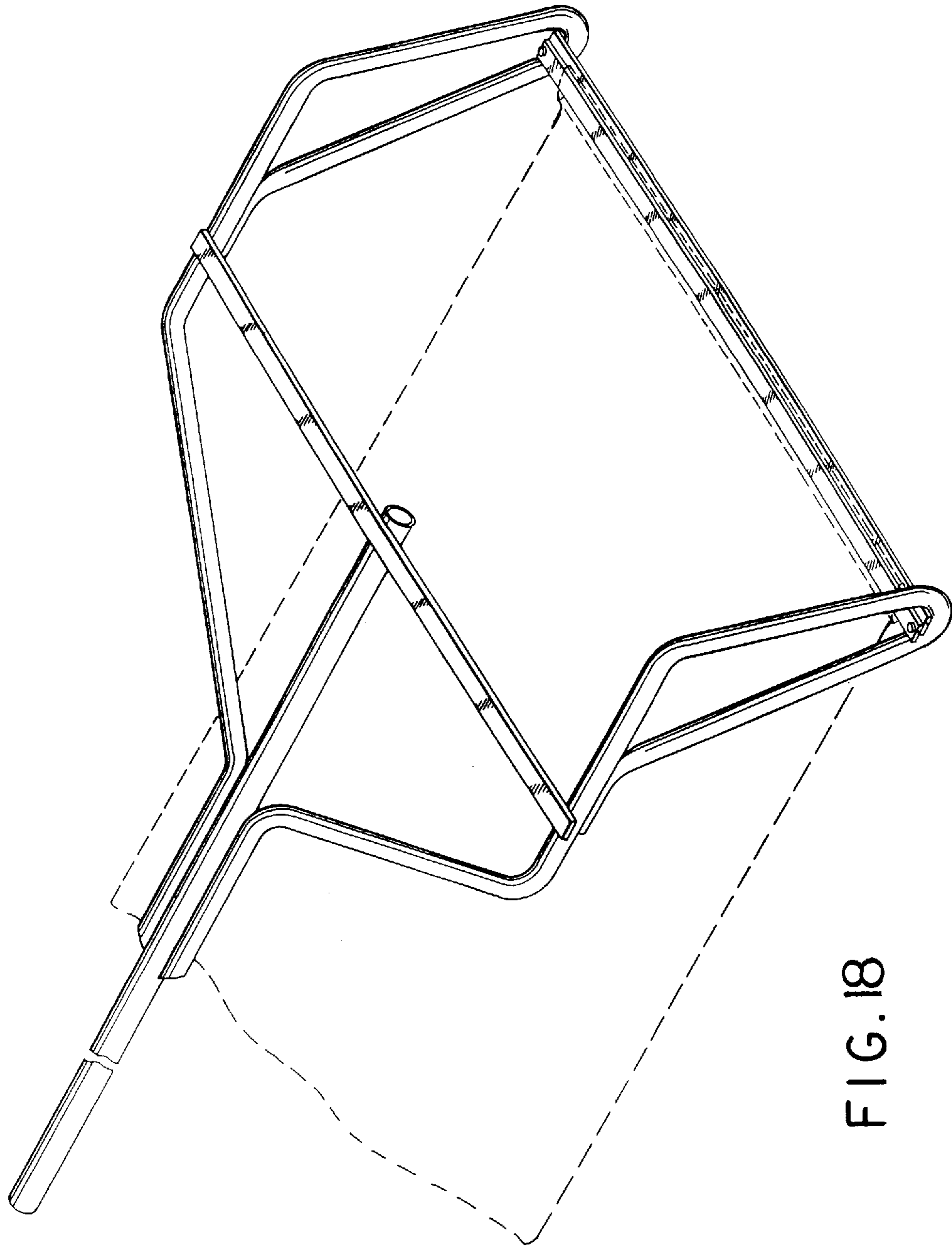


FIG. 18

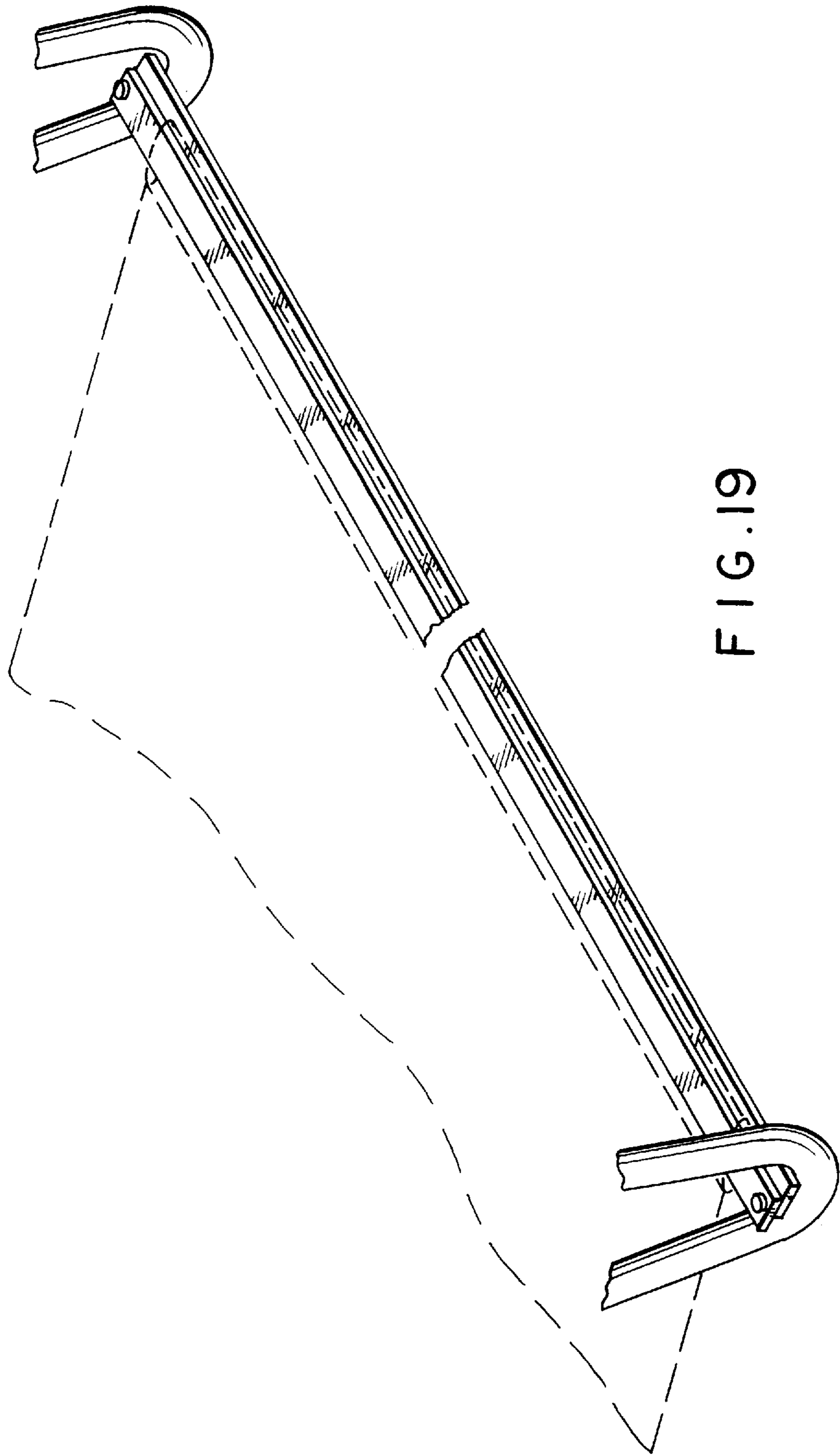


FIG. 19