



US00D405657S

United States Patent [19] Opramolla

[11] **Patent Number: Des. 405,657**

[45] **Date of Patent: **Feb. 16, 1999**

[54] **HOLDER FOR KITCHEN ITEMS**

[75] Inventor: **Joseph Opramolla**, Rindge, N.H.

[73] Assignee: **M. Kamenstein, Inc.**, Elmsford, N.Y.

[**] Term: **14 Years**

[21] Appl. No.: **85,959**

[22] Filed: **Apr. 2, 1998**

[51] **LOC (6) Cl.** **06-04**

[52] **U.S. Cl.** **D7/640**

[58] **Field of Search** D7/637-641; 211/71.01-74,
211/77, 78, 70.6, 70.7

[56] **References Cited**

U.S. PATENT DOCUMENTS

D. 334,510	4/1993	Ancona et al.	D7/638
D. 334,873	4/1993	Ancona et al.	D7/638 X
D. 335,801	5/1993	Ancona et al.	D7/641
D. 368,412	4/1996	Lin	D7/637

Primary Examiner—Terry A. Wallace

Attorney, Agent, or Firm—Robert A. Koons, Jr.; James W. Bolcsak, Ph.D.

[57] **CLAIM**

The ornamental design for a holder for kitchen items, as shown and described.

DESCRIPTION

FIG. 1 is a perspective view of a holder for kitchen items showing my new design;
 FIG. 2 is a perspective view of the holder for kitchen items in an alternative position;
 FIG. 3 is a right side elevational view of the holder for kitchen items;
 FIG. 4 is a left side elevational view of the holder for kitchen items;
 FIG. 5 is a front elevational view of the holder for kitchen items;
 FIG. 6 is a rear elevational view of the holder for kitchen items;
 FIG. 7 is a top plan view of the holder for kitchen items; and,
 FIG. 8 is a bottom plan view of the holder for kitchen items.

1 Claim, 5 Drawing Sheets

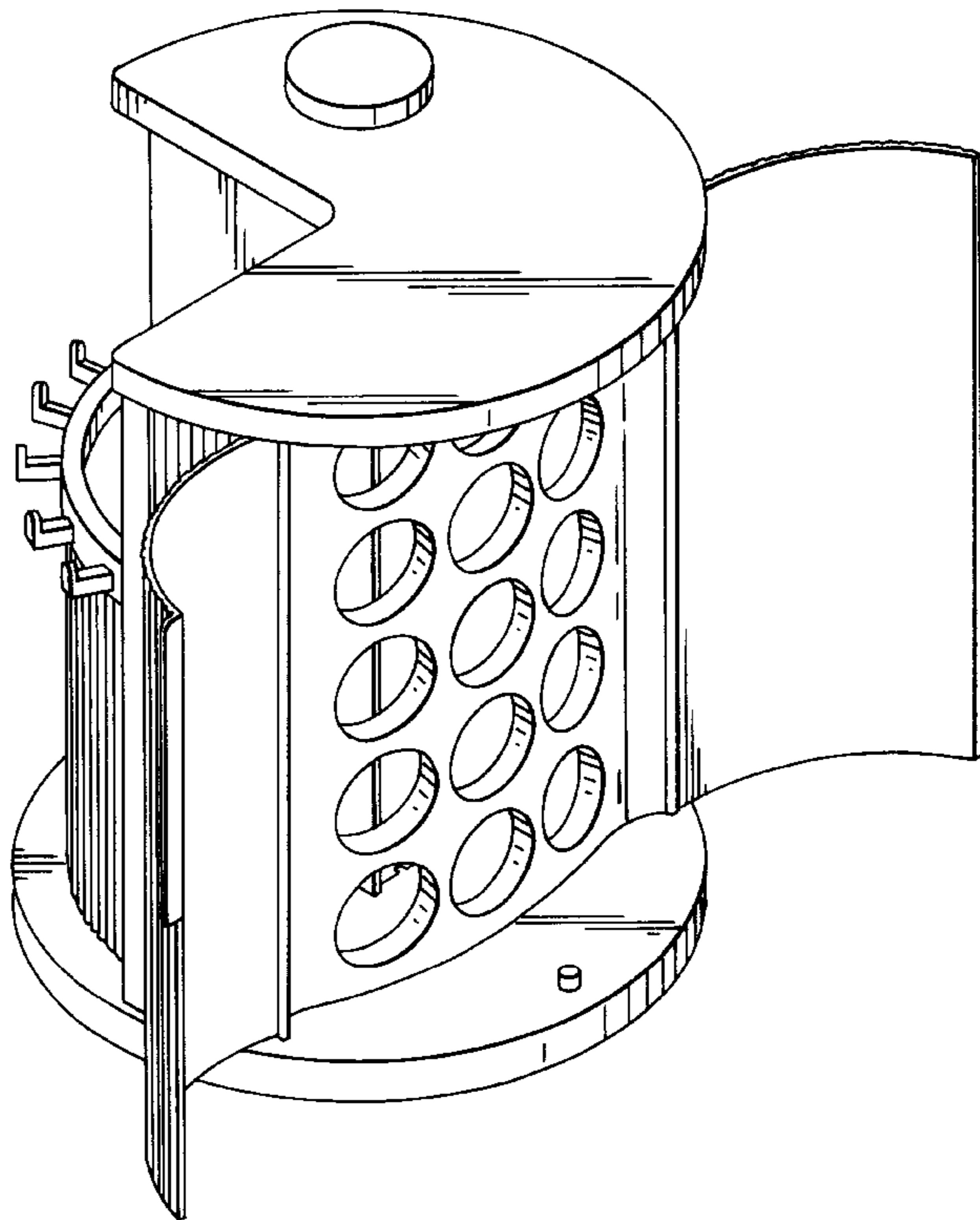
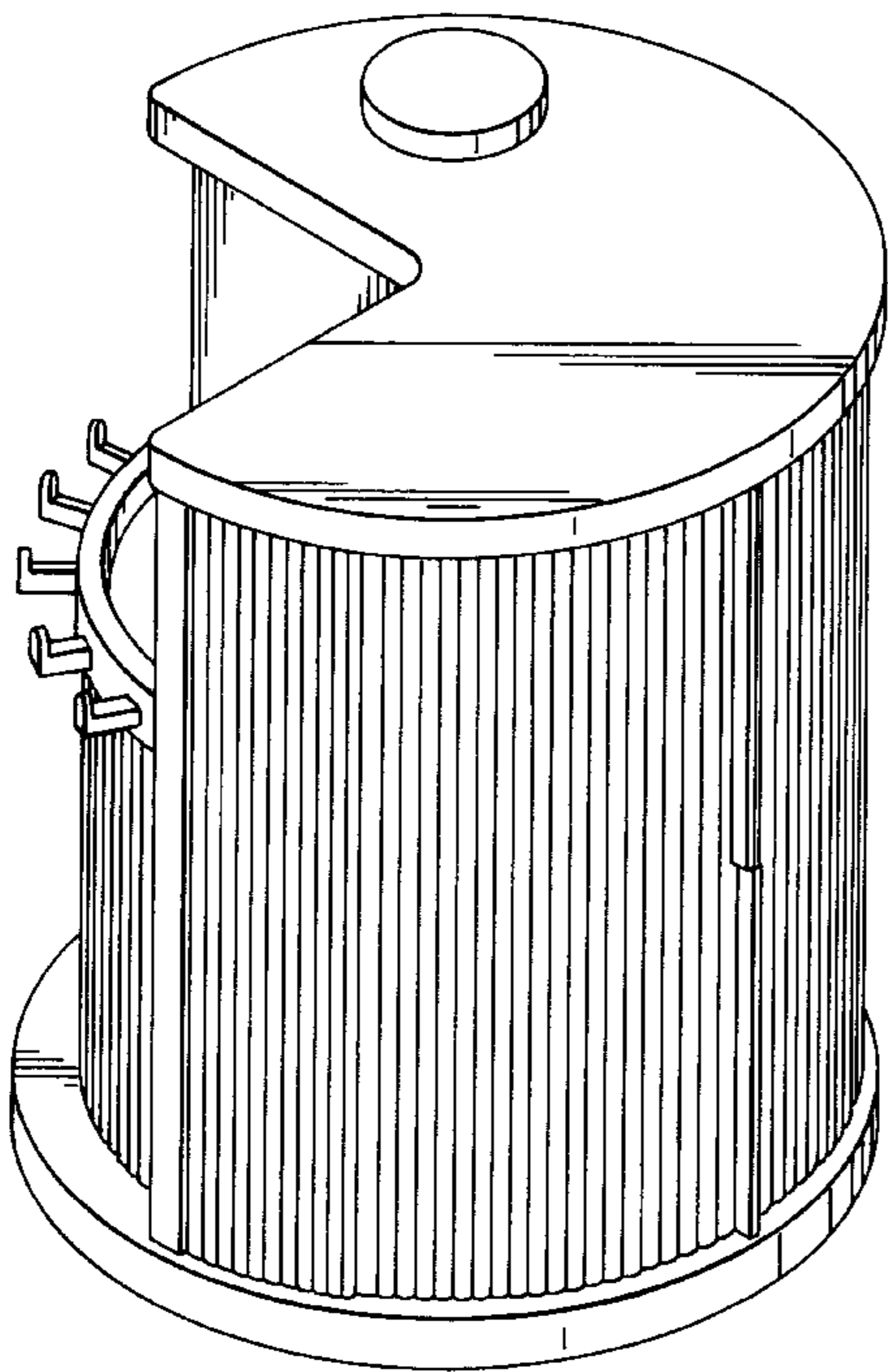


FIG. 1

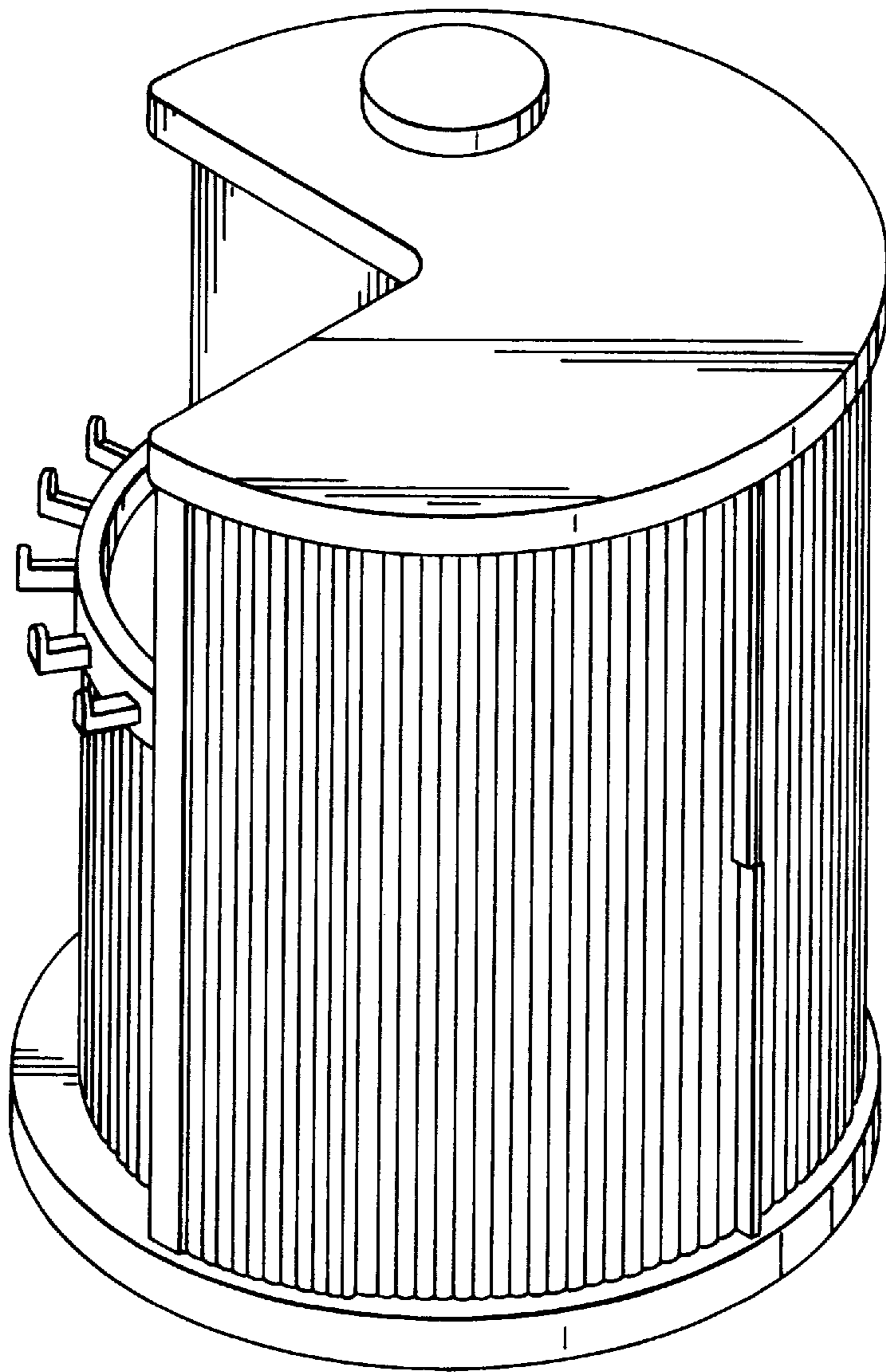


FIG. 2

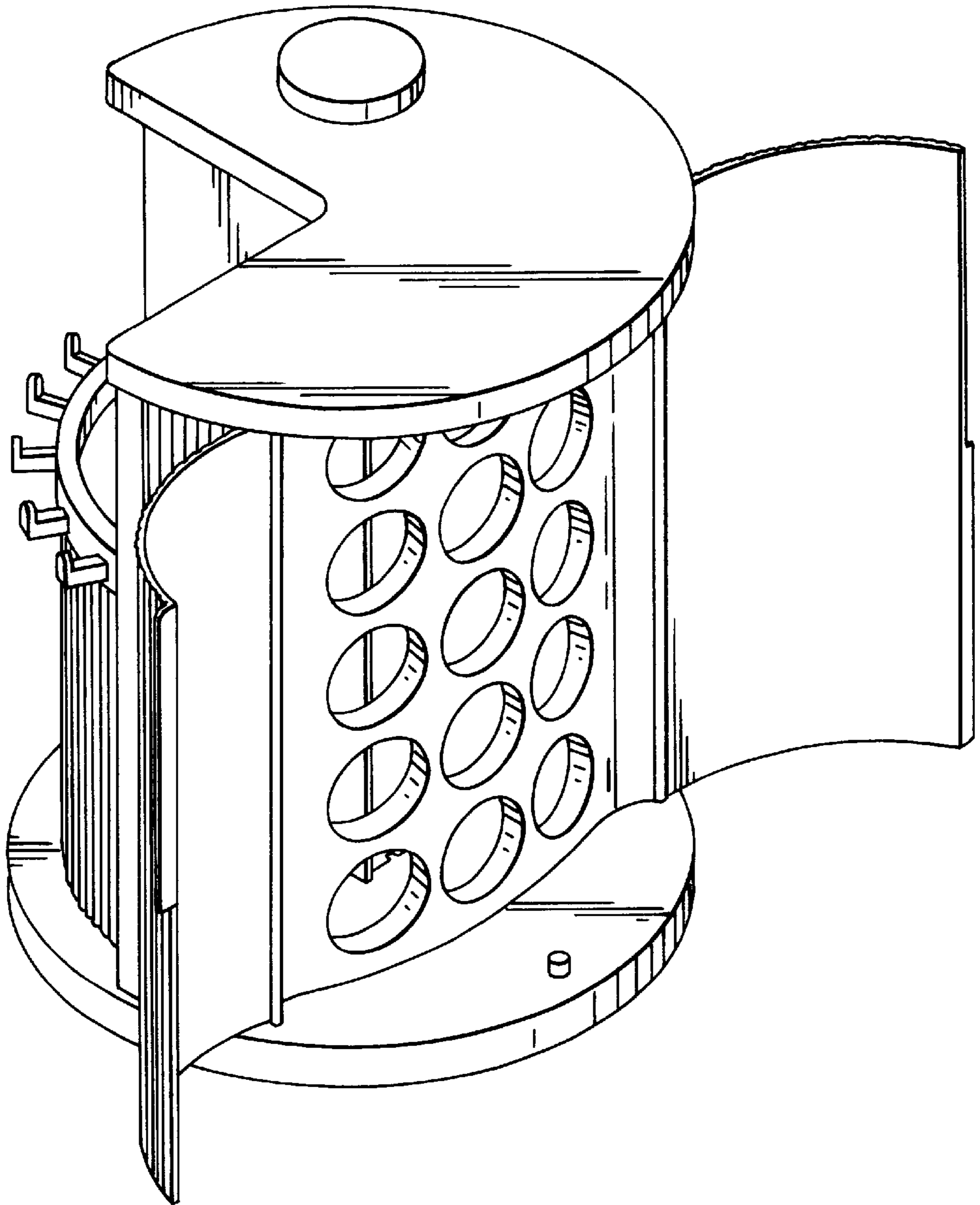


FIG. 3

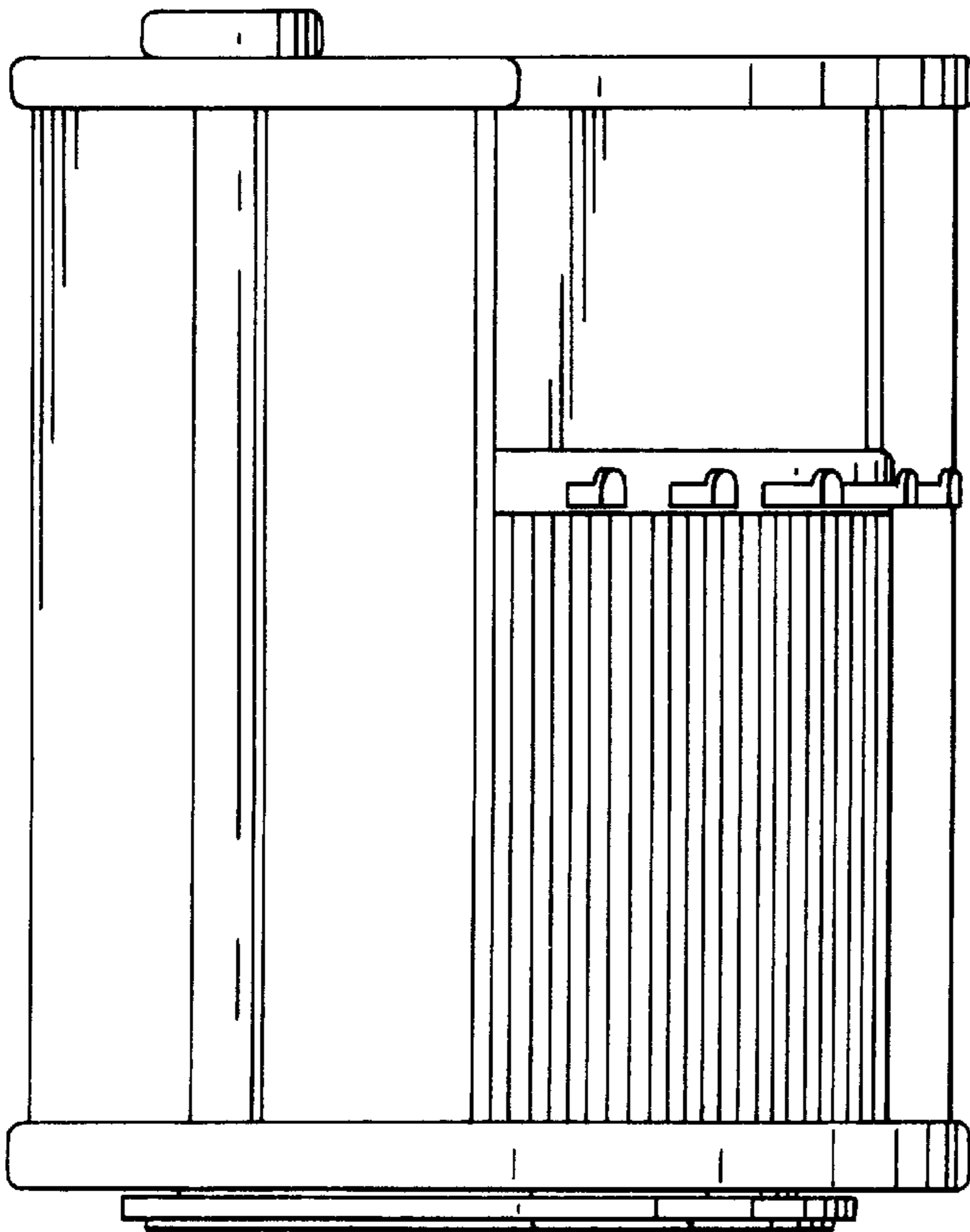
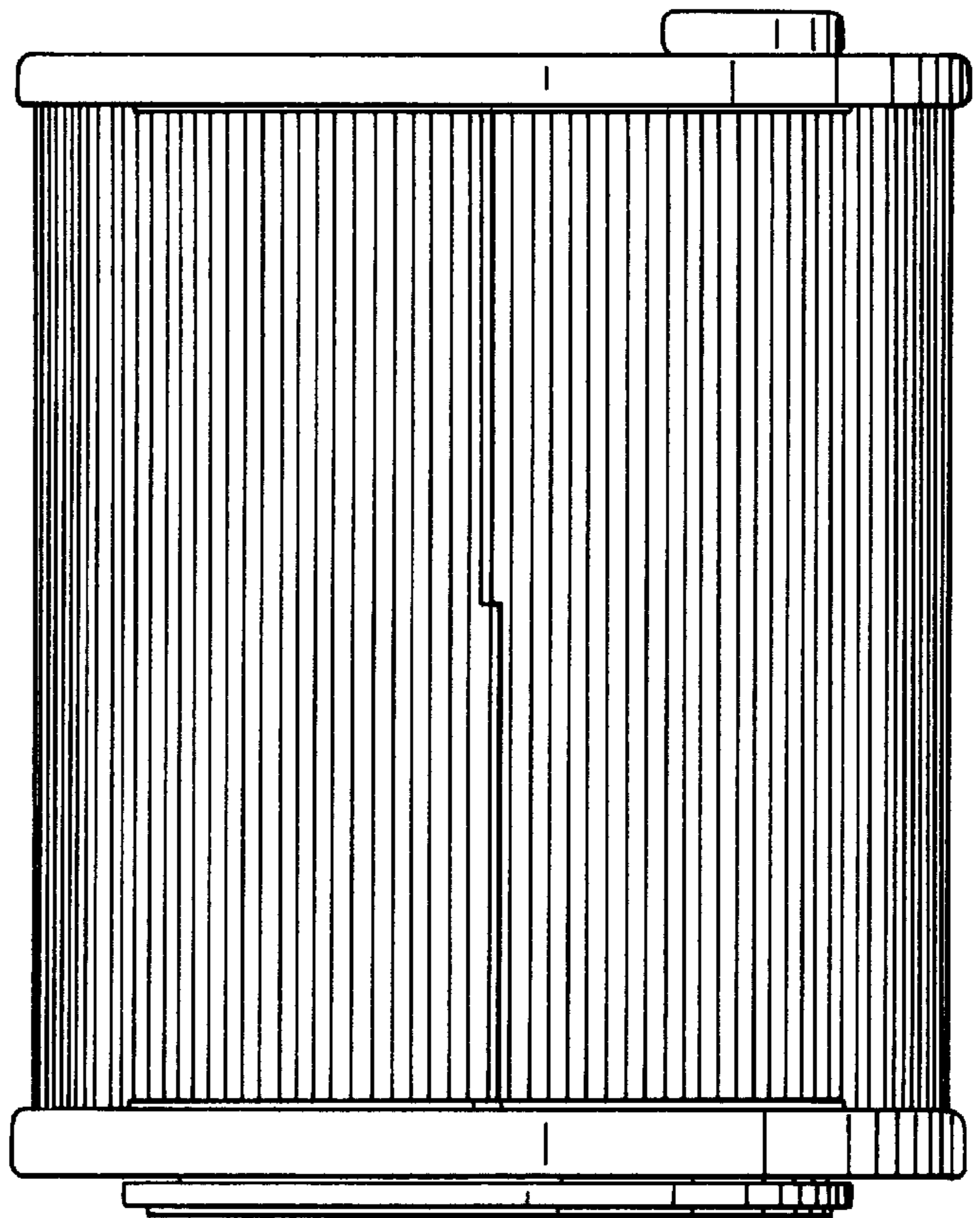


FIG. 4

FIG. 5

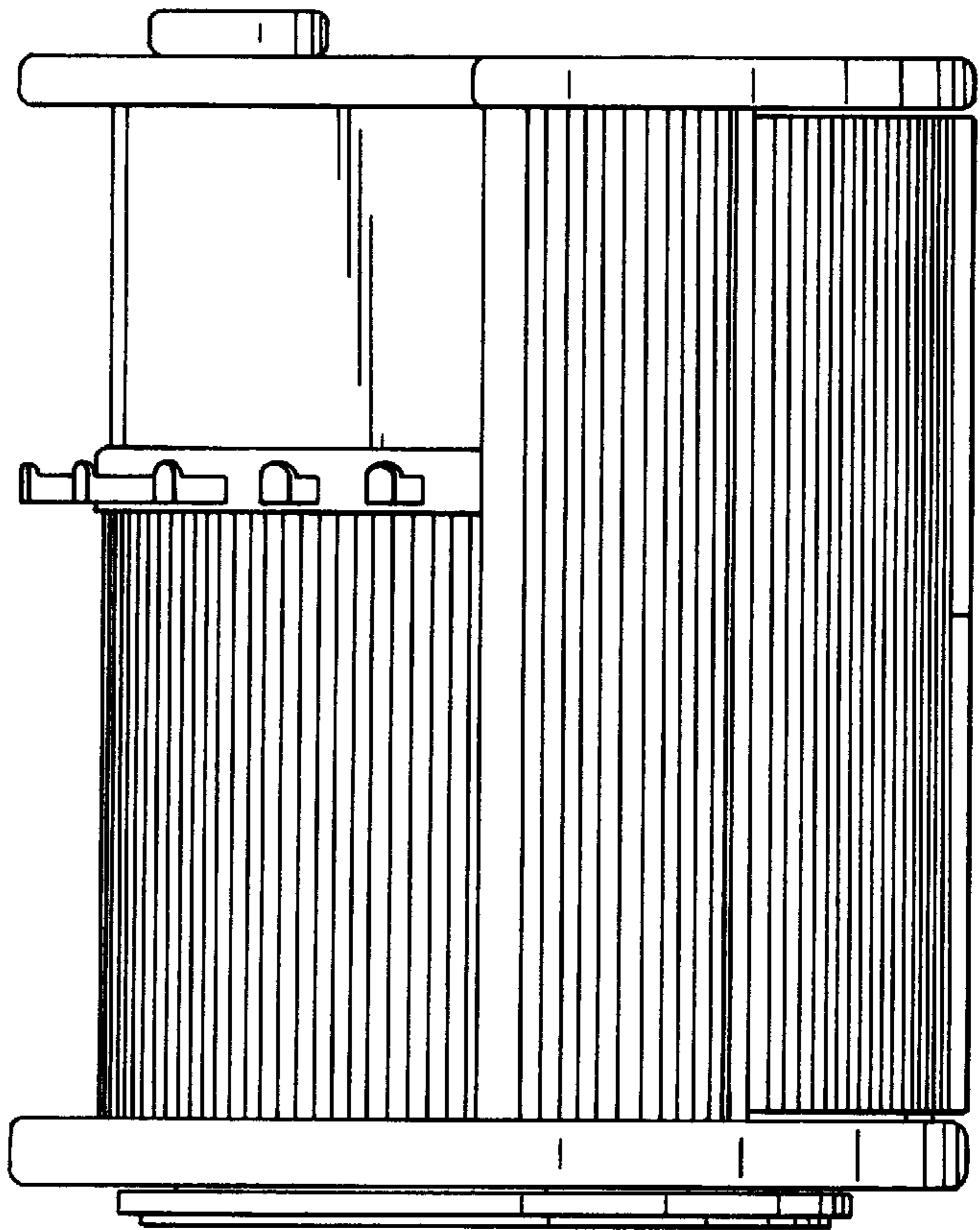
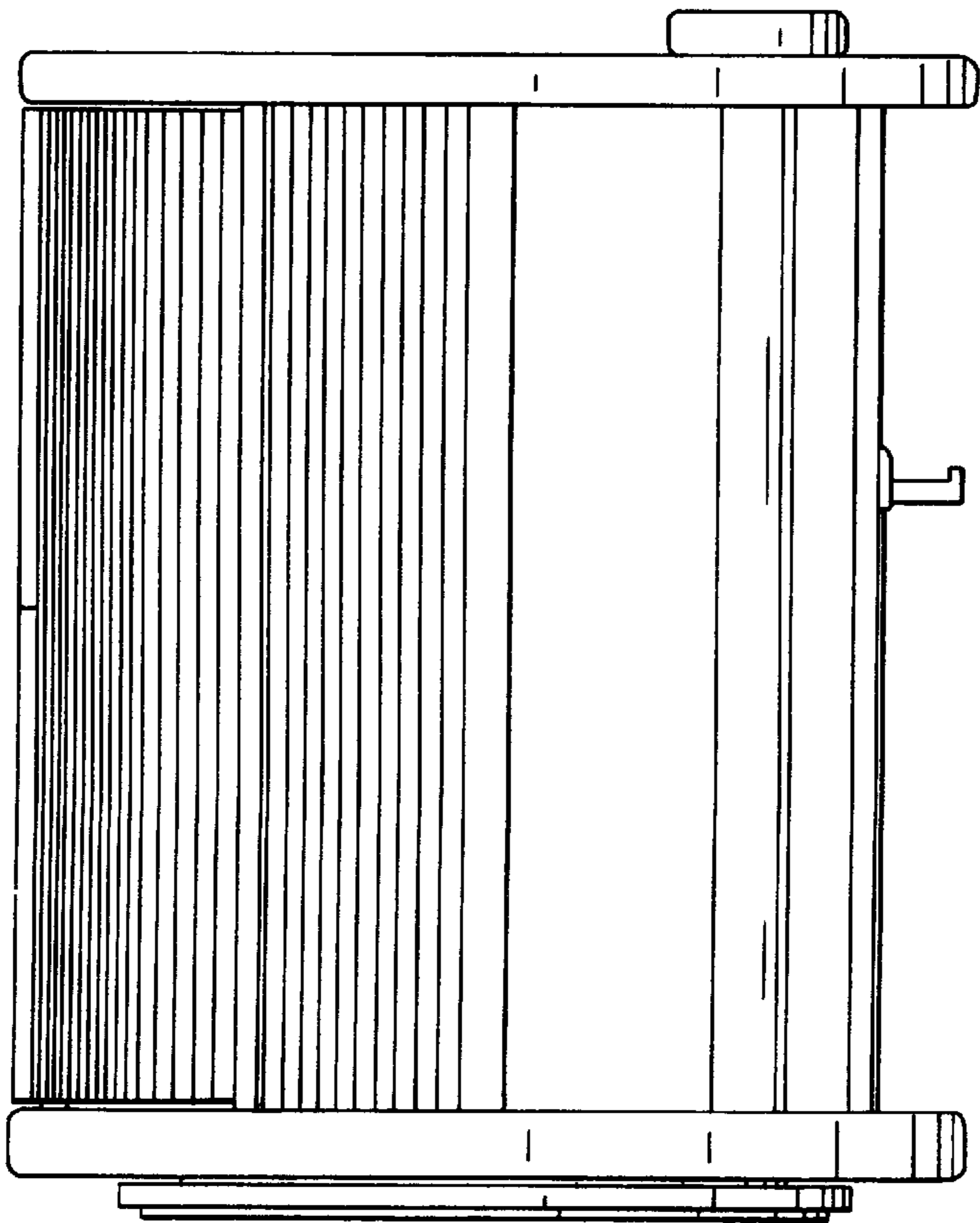


FIG. 6



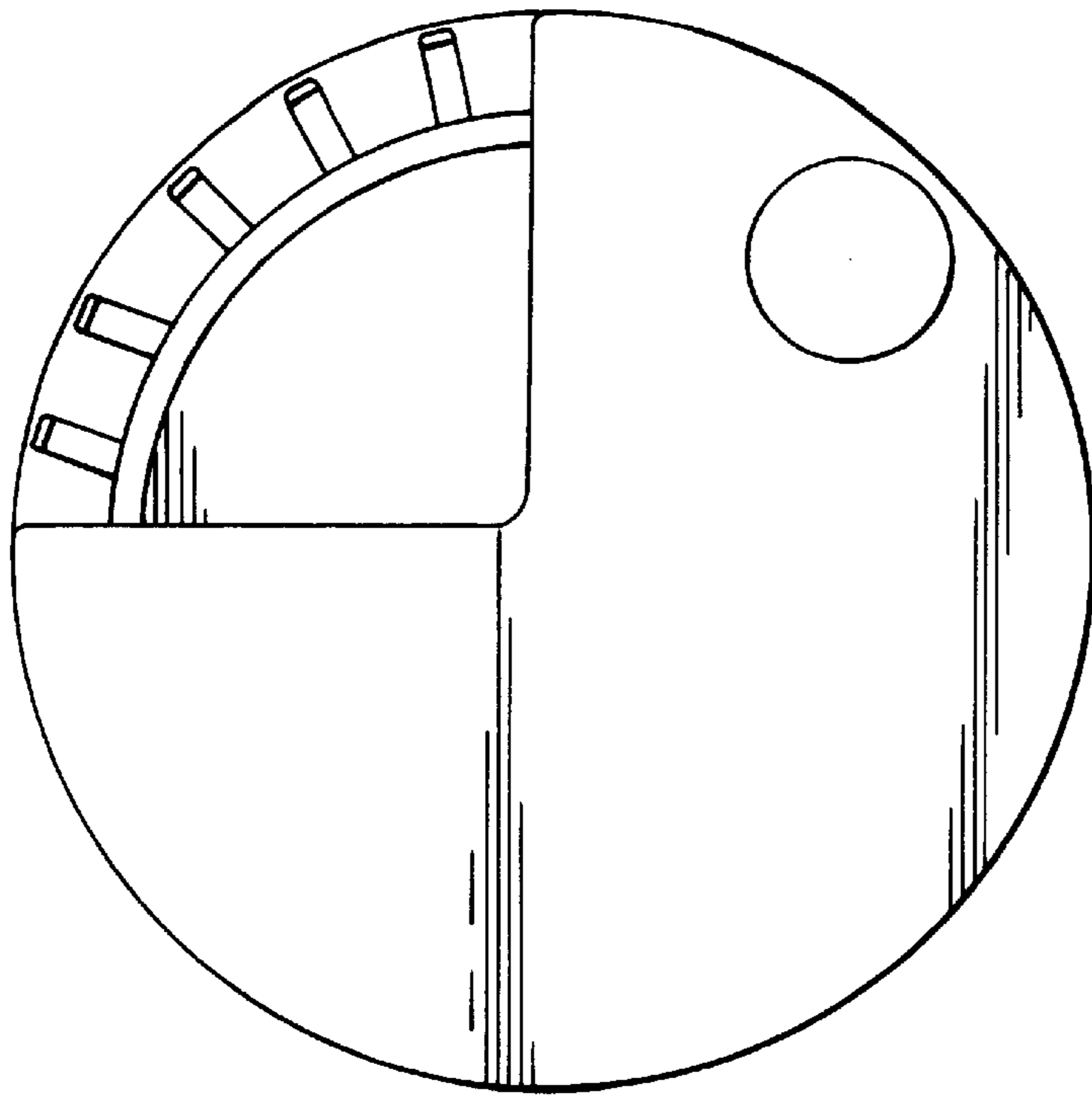


FIG. 7

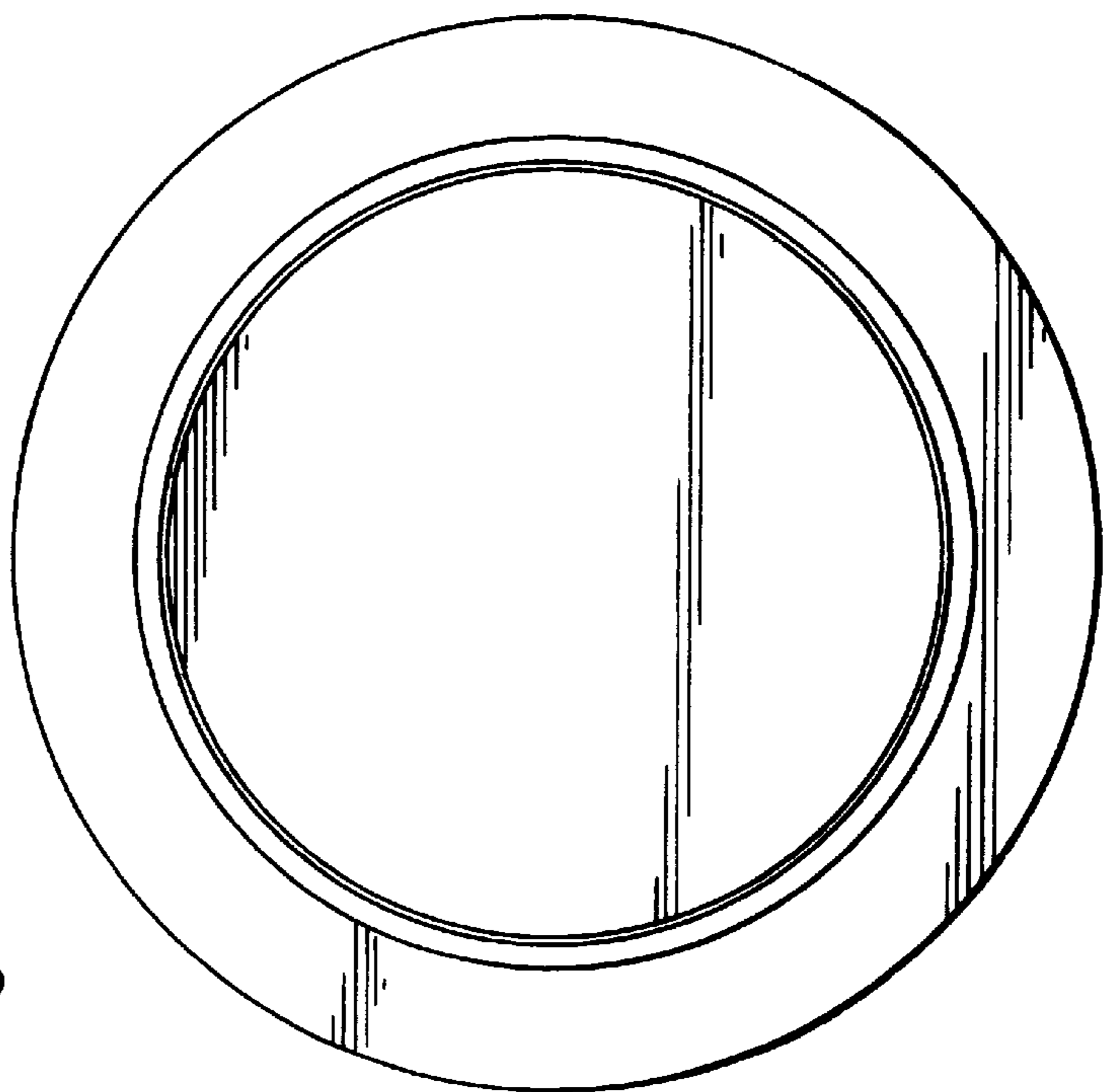


FIG. 8