



US00D405655S

# United States Patent [19]

Michaeli

[11] Patent Number: **Des. 405,655**

[45] Date of Patent: **\*\*Feb. 16, 1999**

[54] **NAPKIN DISPENSER**

[75] Inventor: **Joseph Michaeli**, Larchmont, N.Y.

[73] Assignee: **Novelty Crystal Corporation**,  
Elmhurst, N.Y.

[\*\*] Term: **14 Years**

[21] Appl. No.: **83,833**

[22] Filed: **Feb. 16, 1998**

[51] **LOC (6) Cl.** ..... **07-06**

[52] **U.S. Cl.** ..... **D7/631**

[58] **Field of Search** ..... D7/631, 632, 634;  
221/33-36, 38, 45, 46, 52, 56-60; 211/49.1,  
50, 51; 312/42, 50, 71

[56] **References Cited**

**U.S. PATENT DOCUMENTS**

- D. 108,560 2/1938 Broeren et al. .
- D. 113,504 2/1939 Broeren et al. .
- D. 171,732 3/1954 Renard et al. .

- D. 216,918 3/1970 Burkhalter, Jr. .... D7/631
- D. 232,999 10/1974 Hope, Jr. .... D7/631
- 2,160,412 5/1939 Broeren et al. .... 312/62
- 4,586,631 5/1986 Loder ..... 221/58
- 5,076,466 12/1991 Petterson et al. .... 221/46
- 5,165,570 11/1992 Windorski et al. .... 221/46

*Primary Examiner*—Terry A. Wallace  
*Attorney, Agent, or Firm*—Buchanan Ingersoll, P.C.

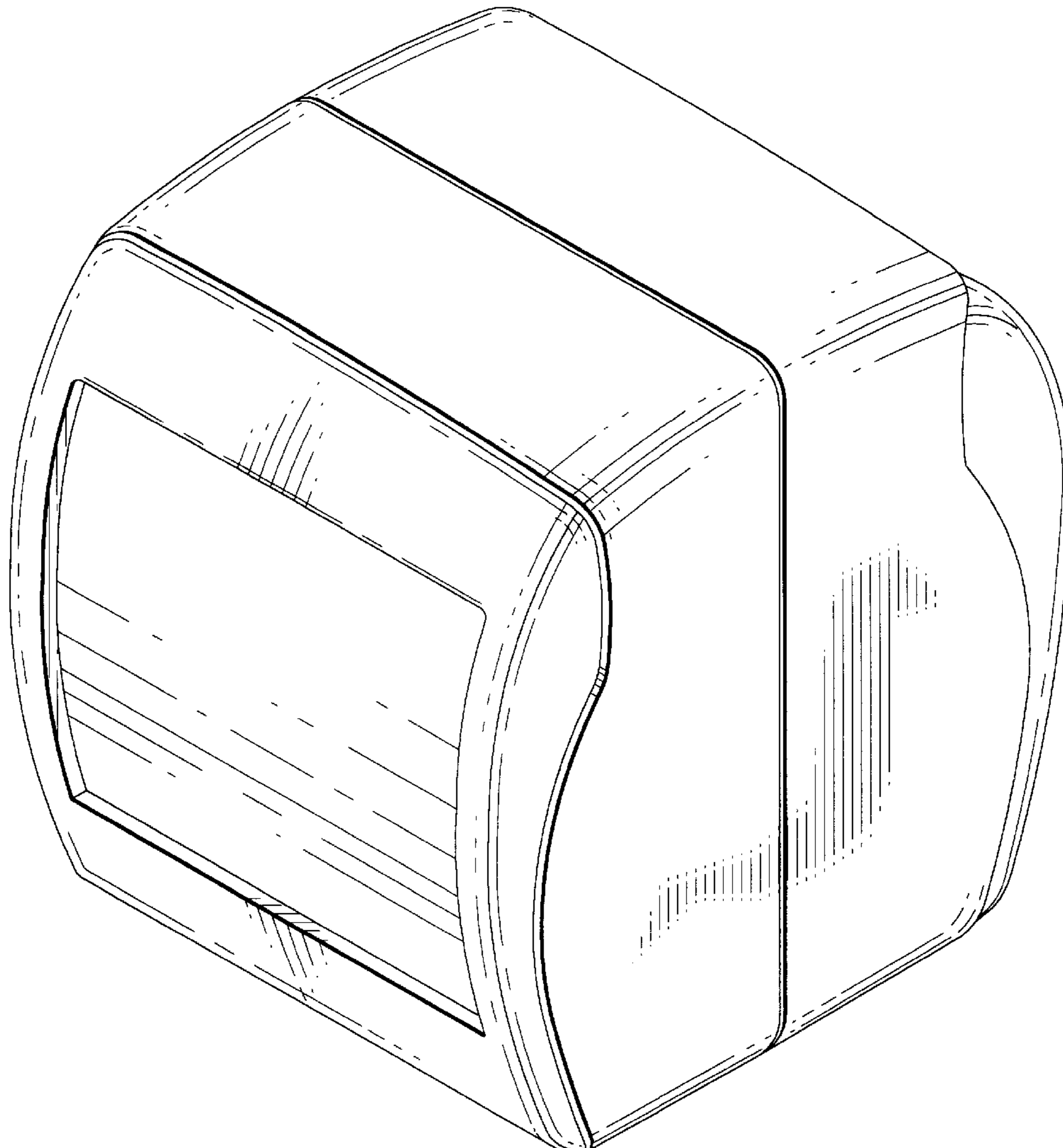
[57] **CLAIM**

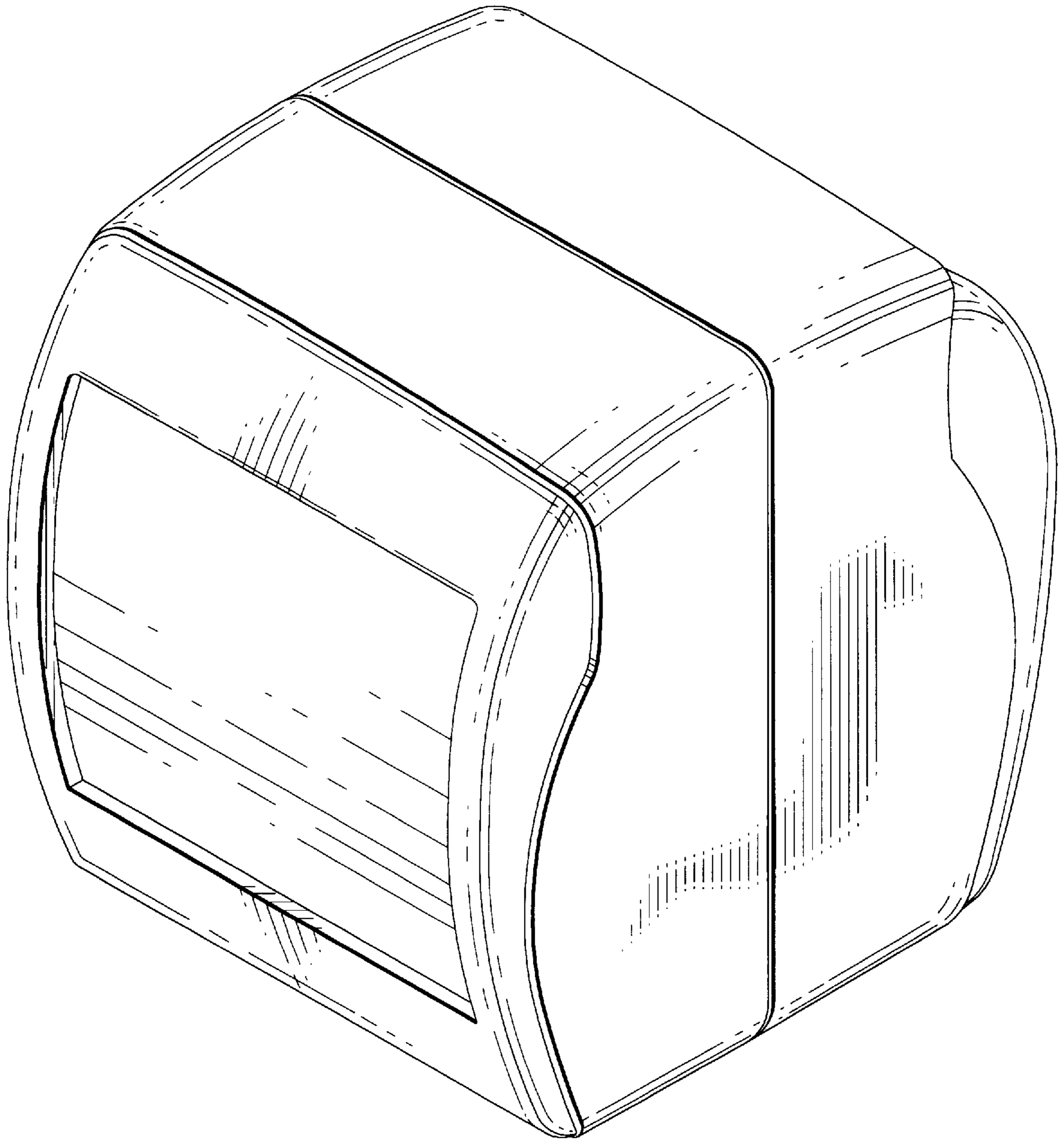
The ornamental design for a napkin dispenser, as shown and described.

**DESCRIPTION**

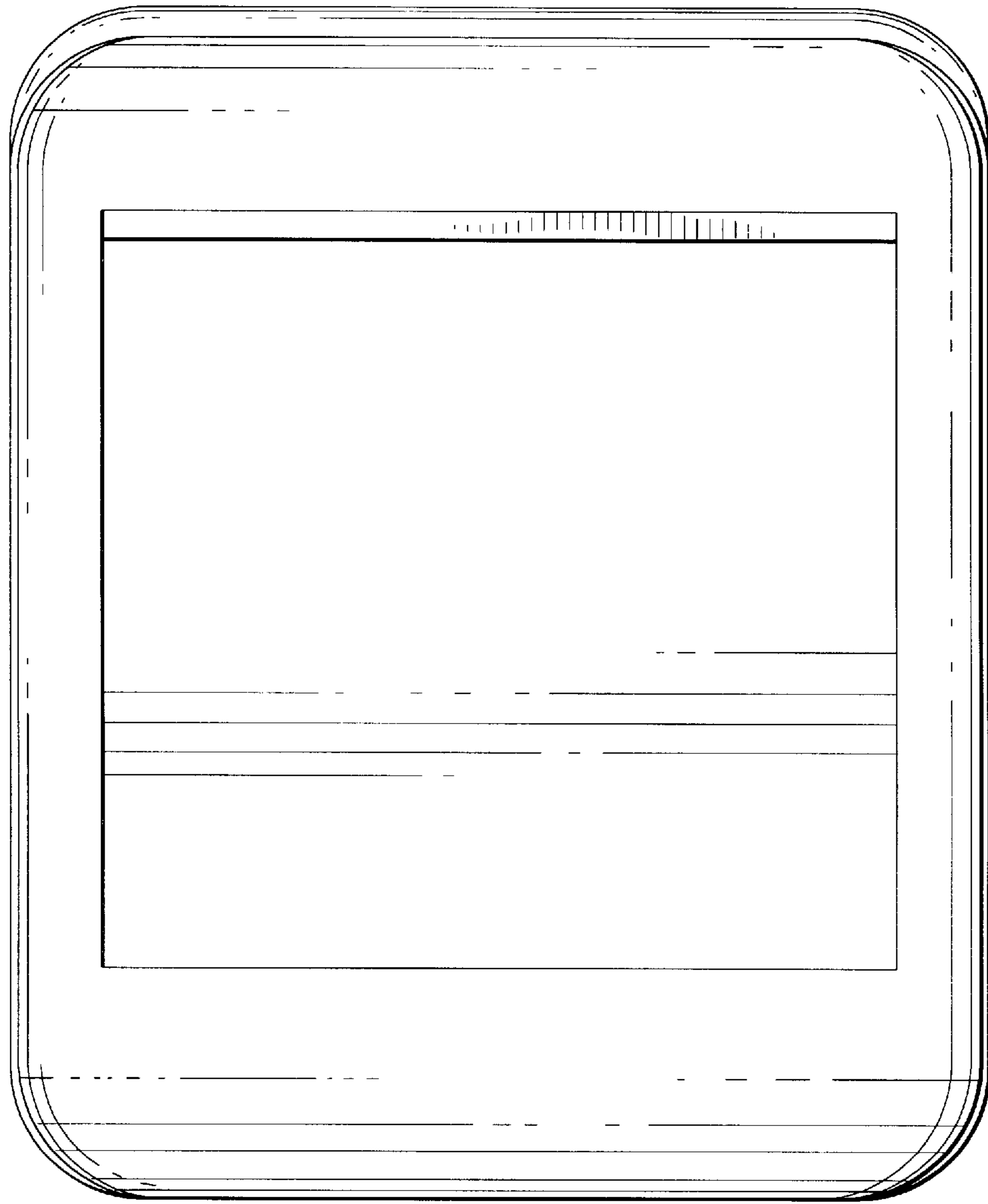
FIG. 1 is a perspective view of my napkin dispenser;  
FIG. 2 is a front view, the rear view being a mirror image thereof;  
FIG. 3 is a left side view the right side view being a mirror image thereof;  
FIG. 4 is a top plan view; and  
FIG. 5 is a bottom view.

**1 Claim, 5 Drawing Sheets**

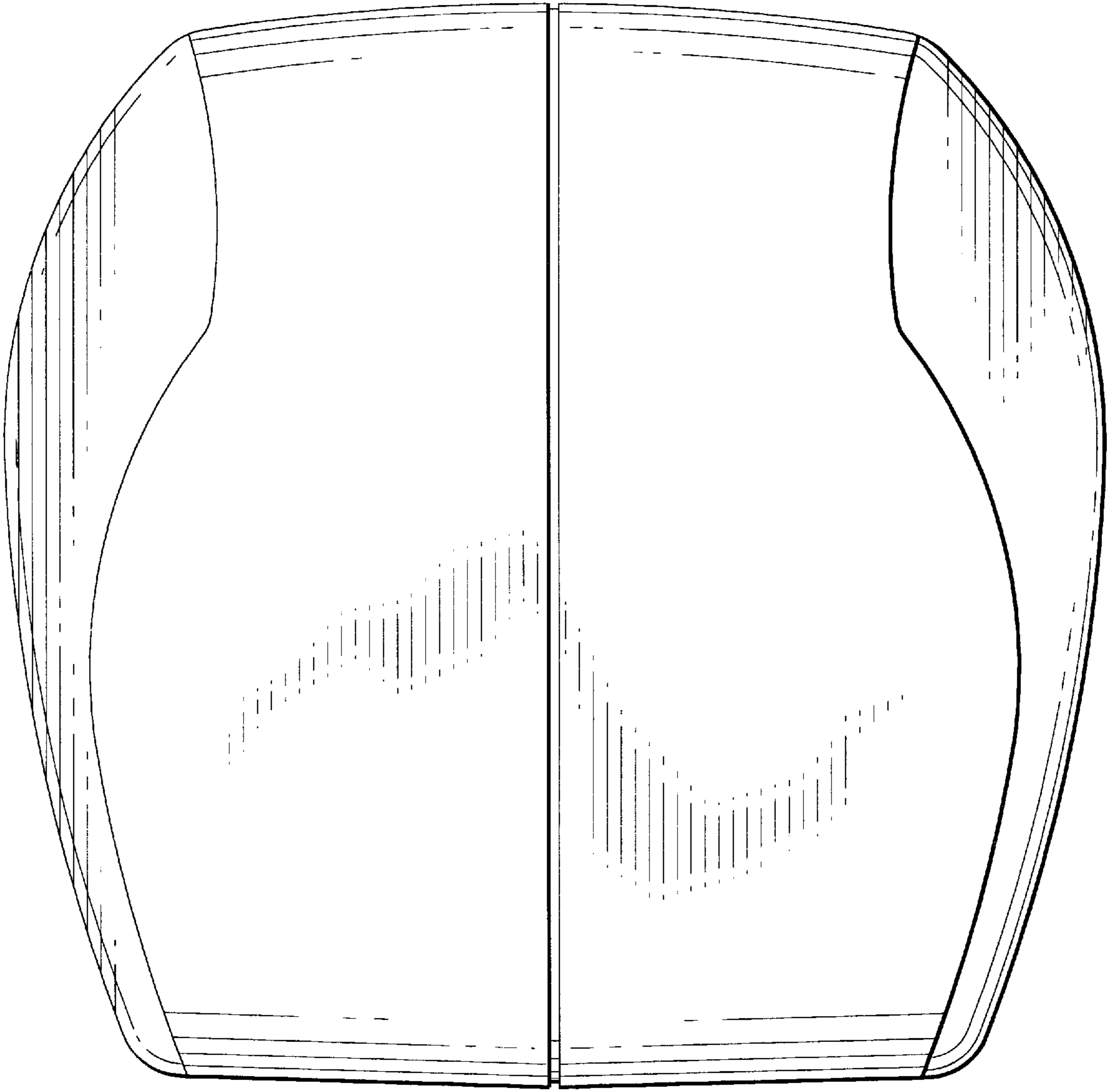




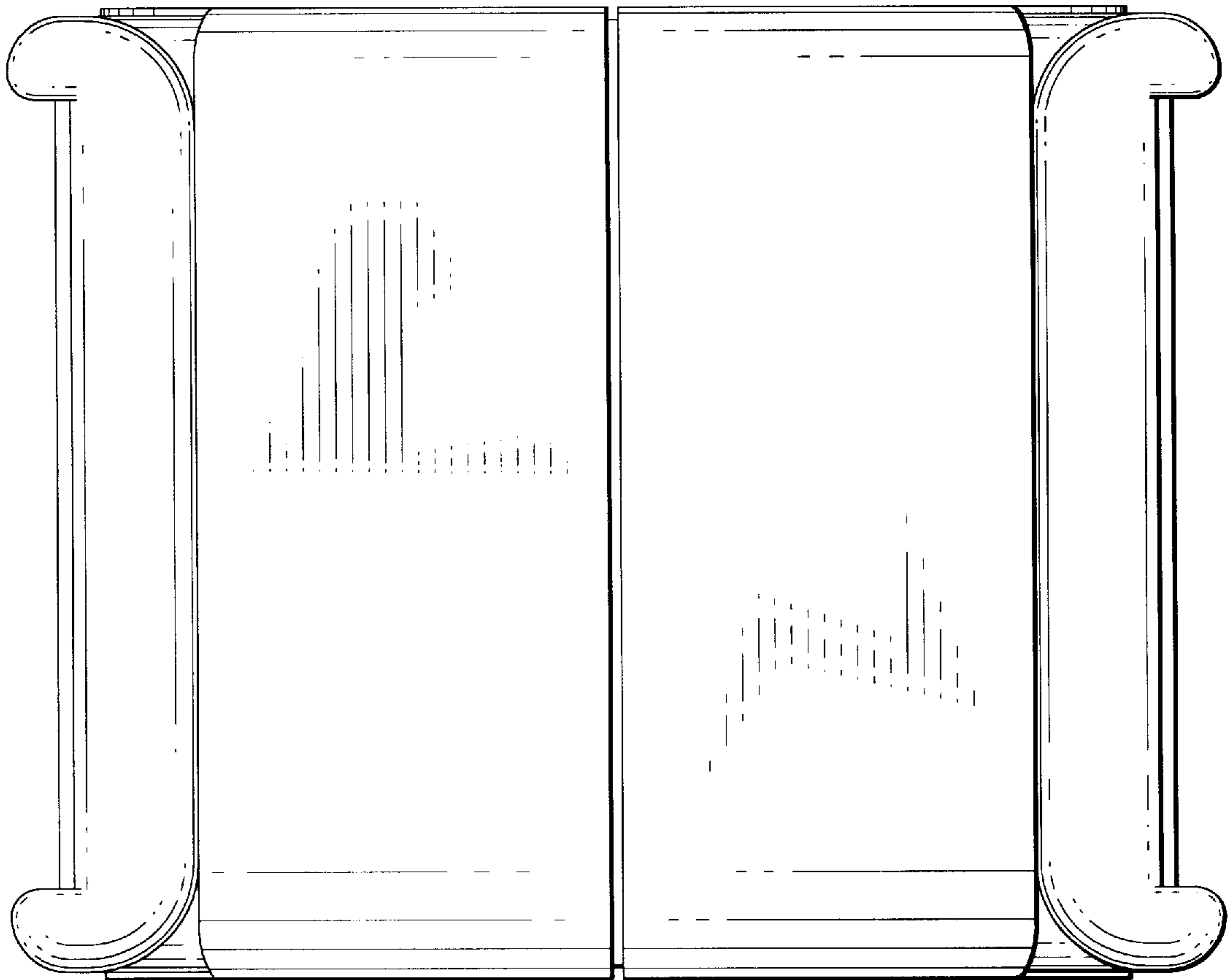
*FIG. 1*



*FIG. 2*



*FIG. 3*



*FIG. 4*

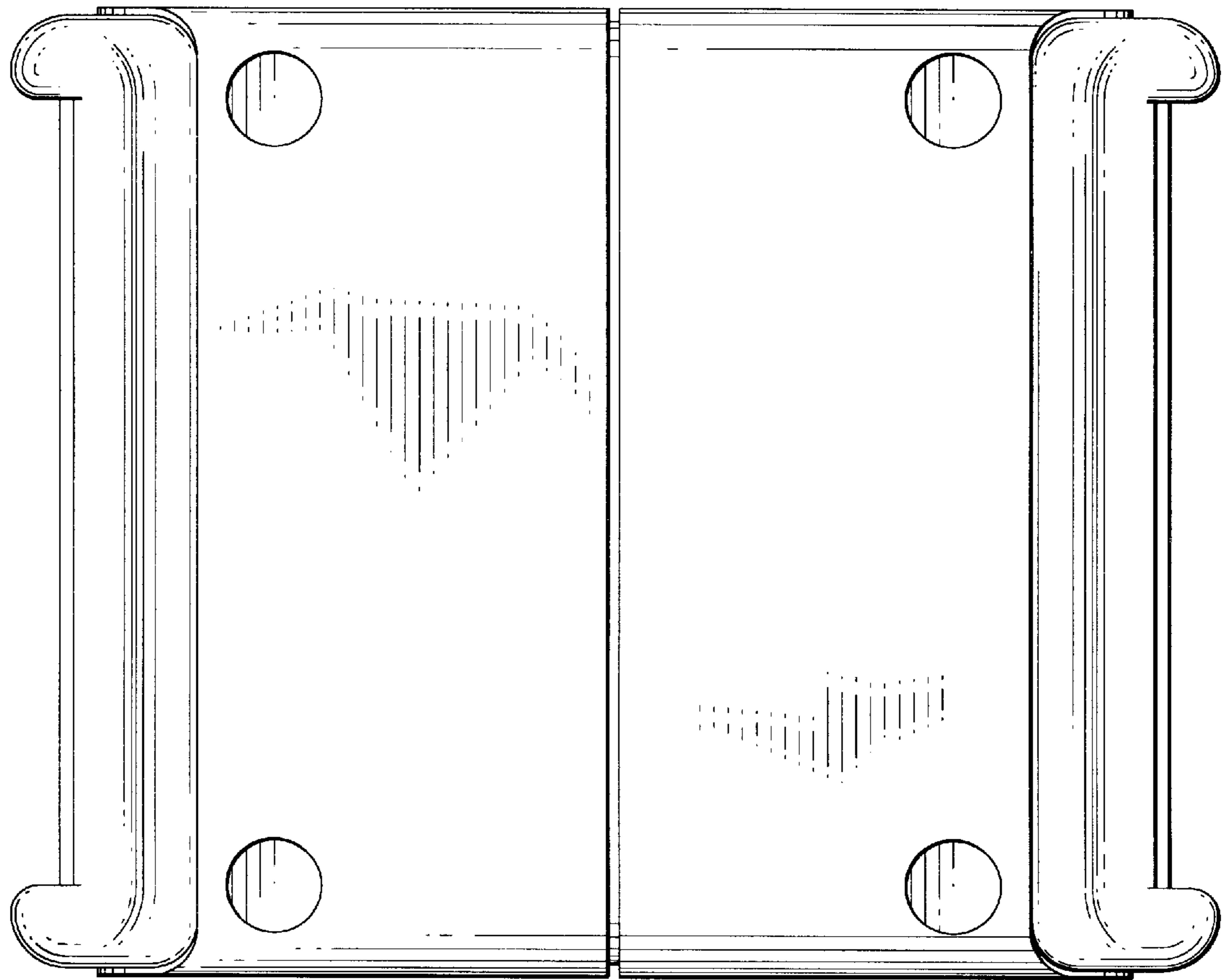


FIG. 5