



US00D405651S

**United States Patent** [19]  
**Schmidt**

[11] **Patent Number: Des. 405,651**

[45] **Date of Patent: \*\*Feb. 16, 1999**

[54] **VACUUM SEALED HOLDER FOR CAKE OR FRUIT**

*Attorney, Agent, or Firm*—Robert A. Koons, Jr.; James W. Bolcsak

[75] Inventor: **George Schmidt**, Douglaston, N.Y.

[57] **CLAIM**

[73] Assignee: **M. Kamenstein, Inc.**, Elmsford, N.Y.

The ornamental design for a vacuum sealed holder for cake or fruit, as shown and described.

[\*\*] Term: **14 Years**

**DESCRIPTION**

[21] Appl. No.: **85,135**

FIG. 1 is a perspective view of a vacuum sealed holder for cake or fruit showing my new design;

[22] Filed: **Mar. 17, 1998**

FIG. 2 is a front elevational view of the vacuum sealed holder for cake or fruit;

[51] **LOC (6) Cl.** ..... **07-07**

[52] **U.S. Cl.** ..... **D7/610**

FIG. 3 is a rear elevational view of the vacuum sealed holder for cake or fruit;

[58] **Field of Search** ..... D7/610, 629; 206/467, 206/551; 220/4.21, 315, 318, 305, 780, 792

FIG. 4 is a top plan view of the vacuum sealed holder for cake or fruit;

[56] **References Cited**

**U.S. PATENT DOCUMENTS**

D. 166,498	4/1952	Roop	.....	D7/610
D. 389,018	1/1998	Lillelund et al.	.....	D7/610
4,705,163	11/1987	James	.....	206/467 X

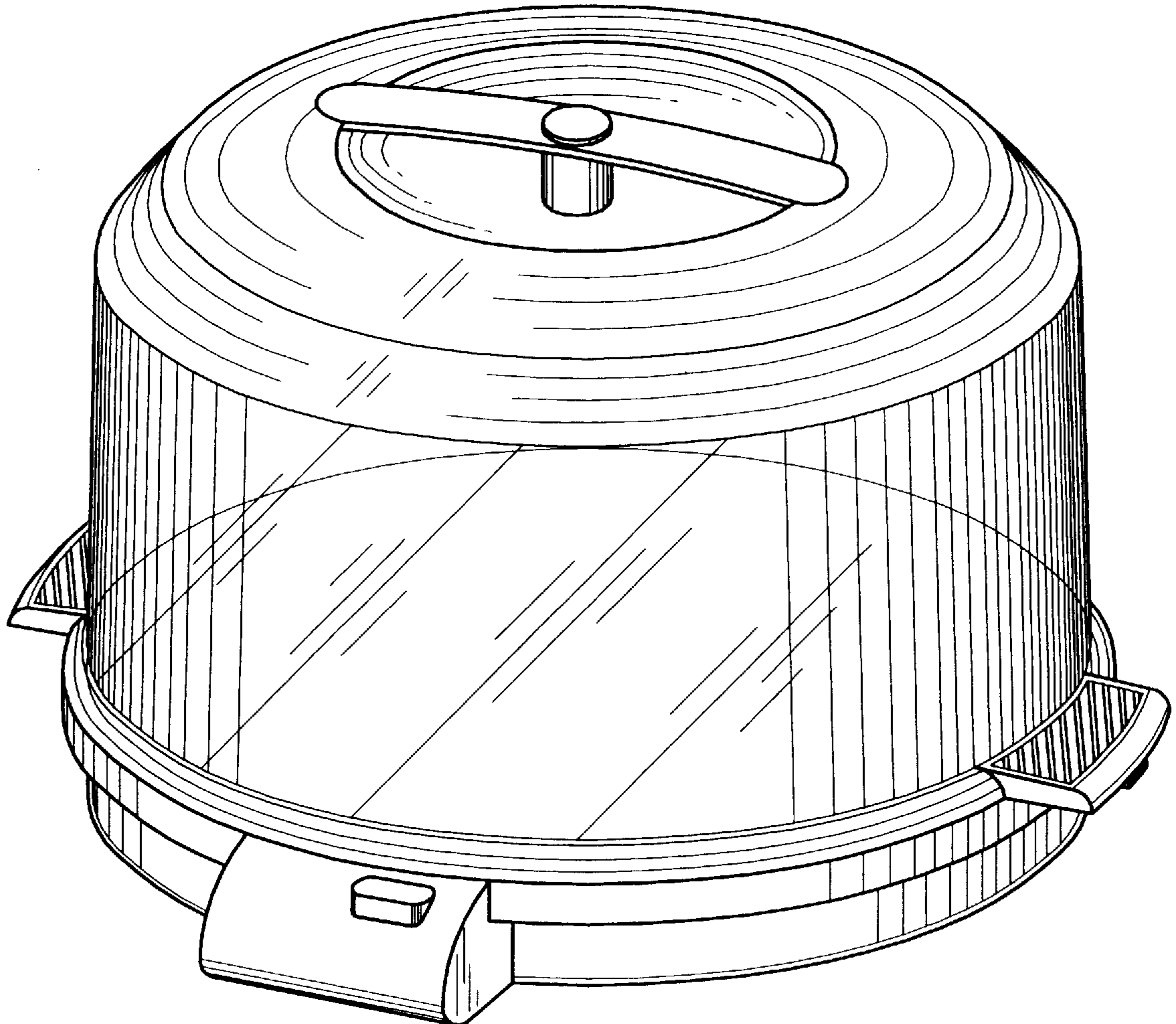
FIG. 5 is a right side elevational view of the vacuum sealed holder for cake or fruit;

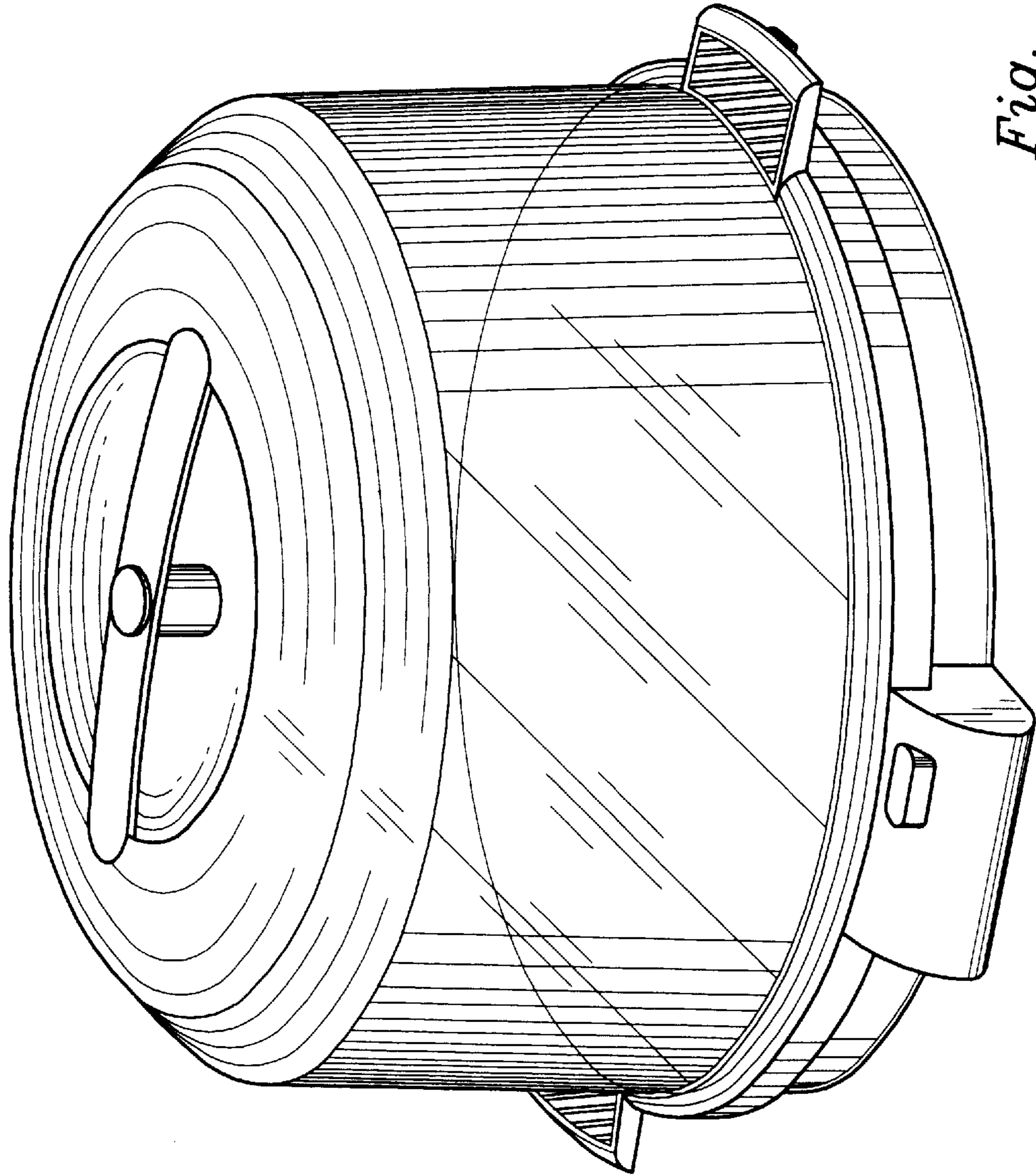
FIG. 6 is a left side elevational view of the vacuum sealed holder for cake or fruit; and,

FIG. 7 is a bottom plan view of the vacuum sealed holder for cake or fruit.

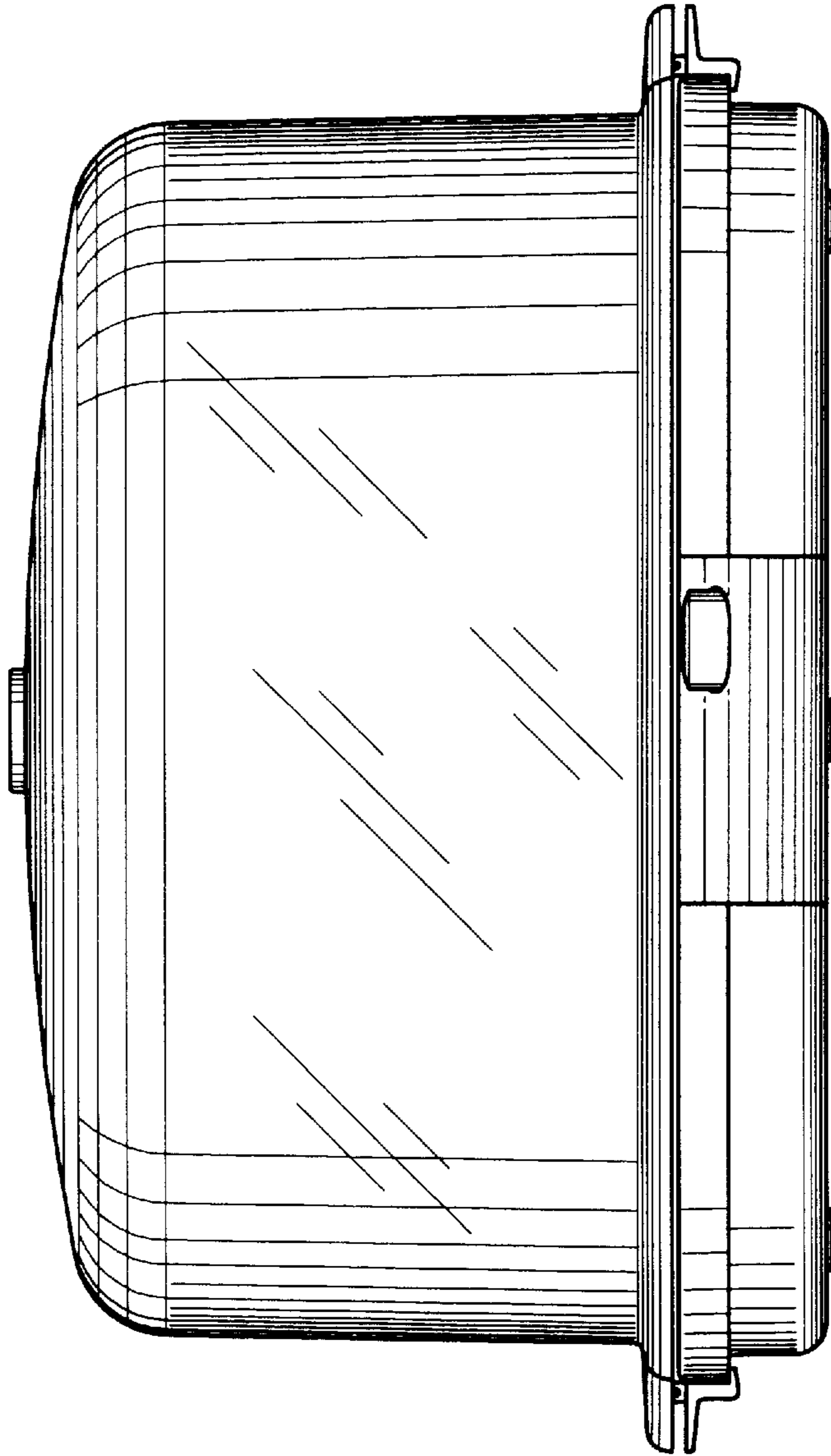
*Primary Examiner*—Terry A. Wallace

**1 Claim, 7 Drawing Sheets**

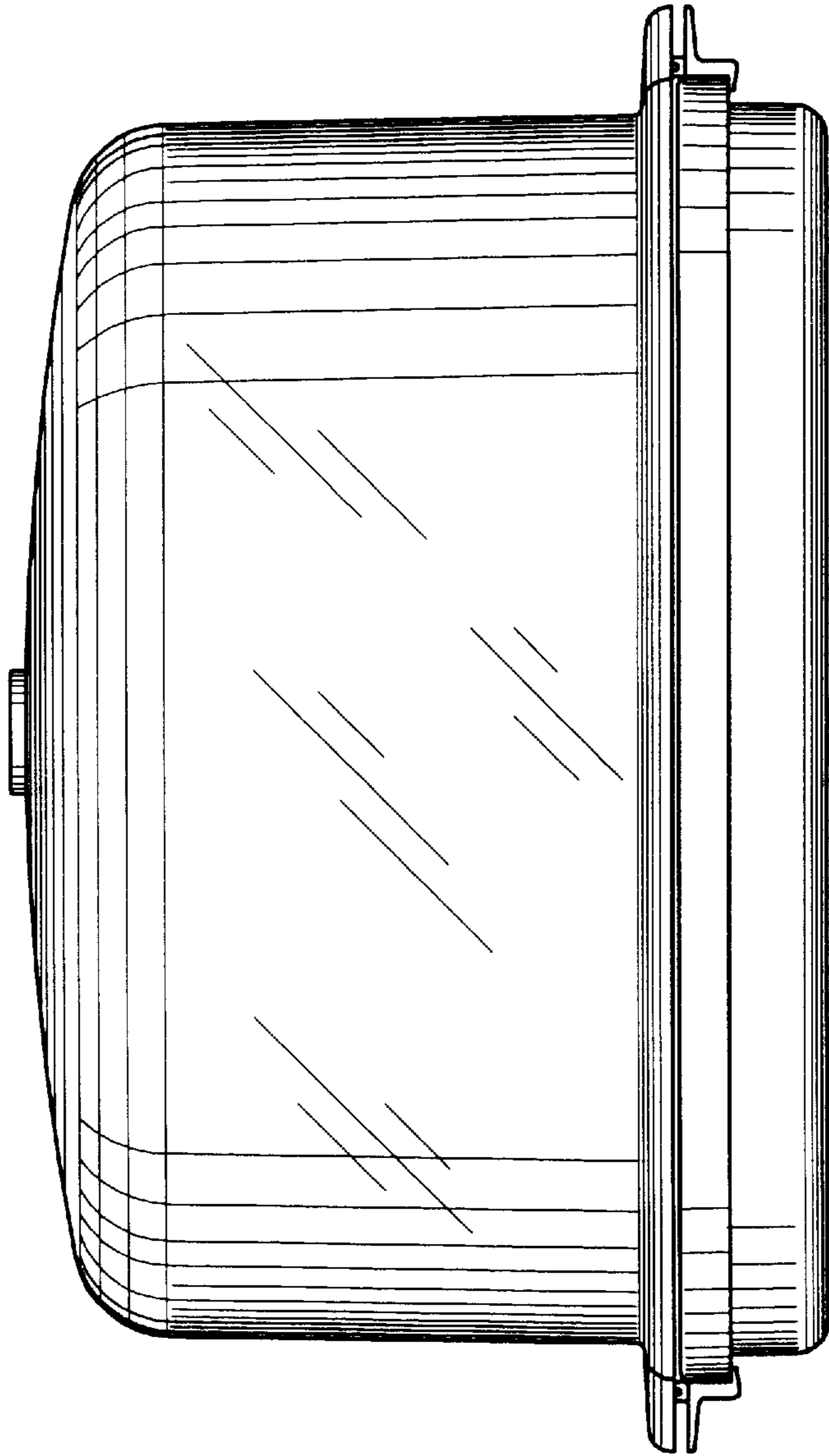




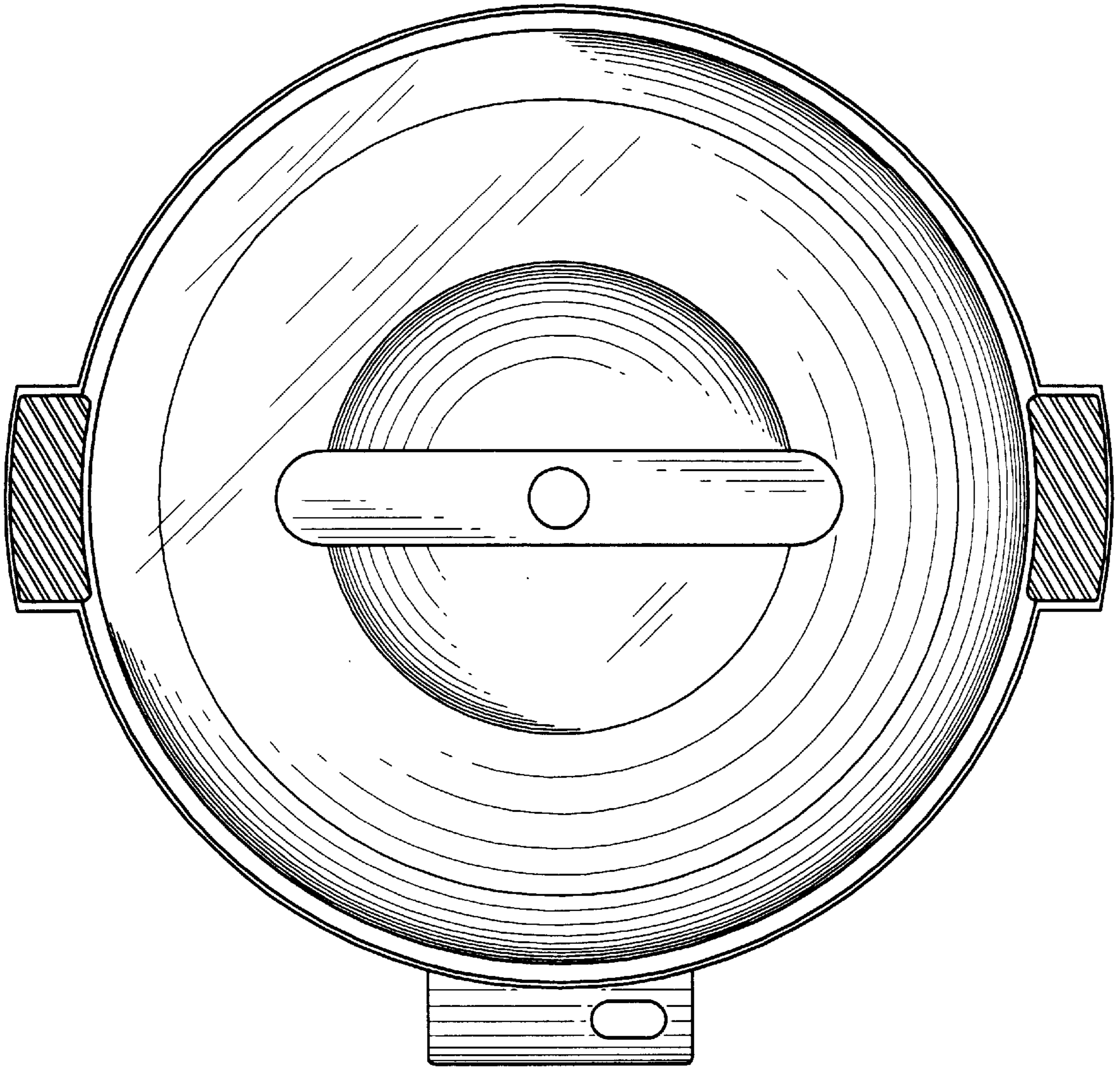
*Fig. 1*



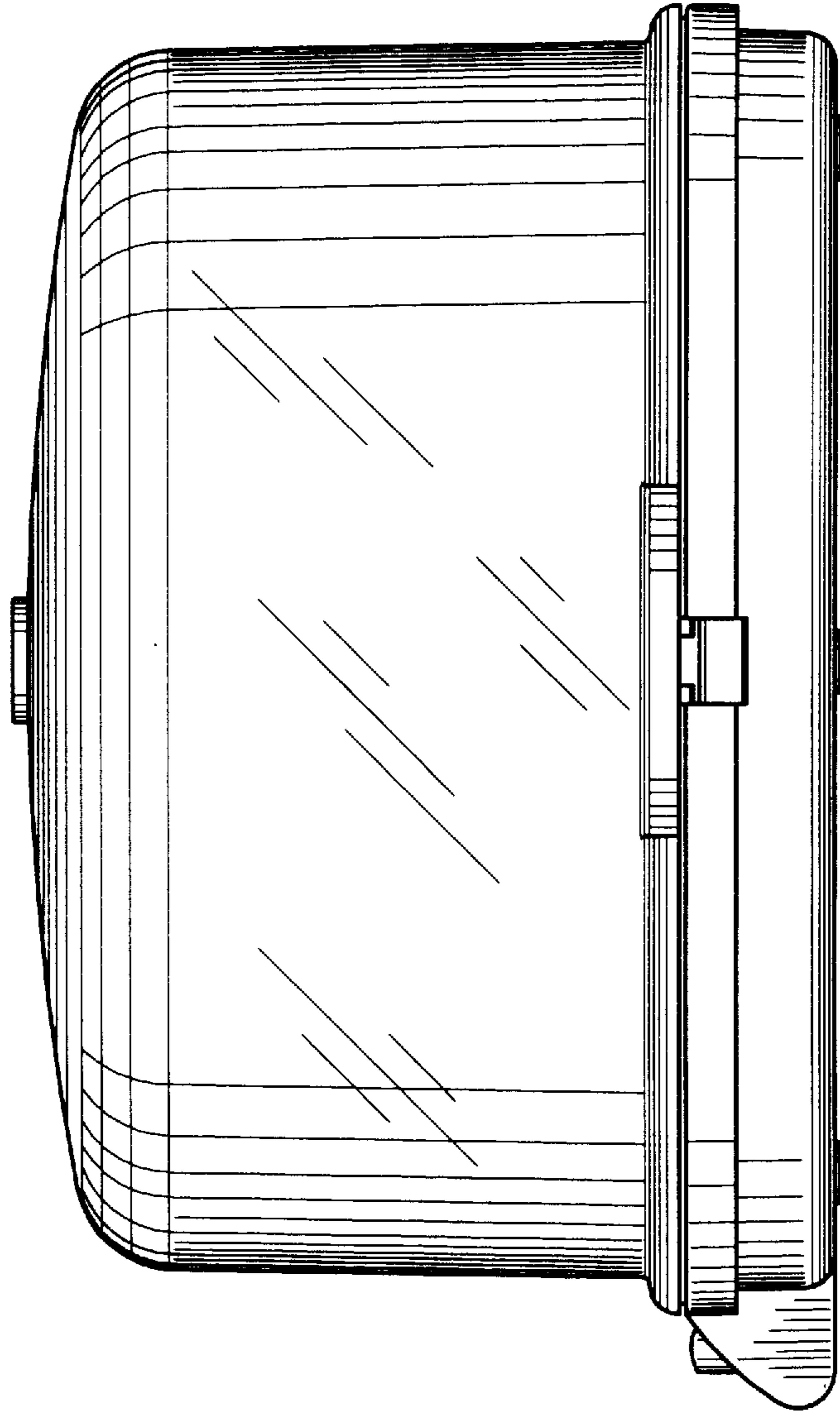
*Fig. 2*



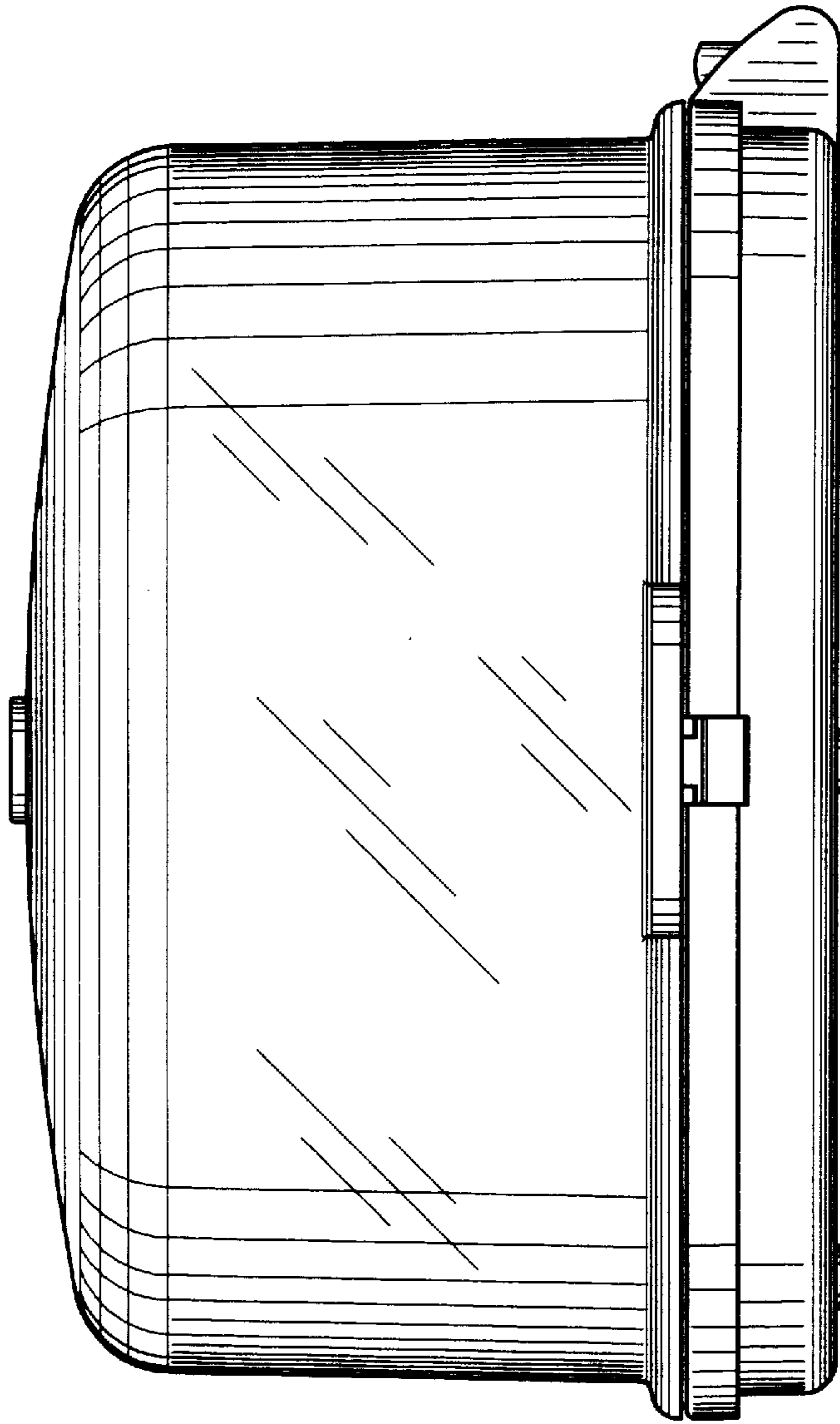
*Fig. 3*



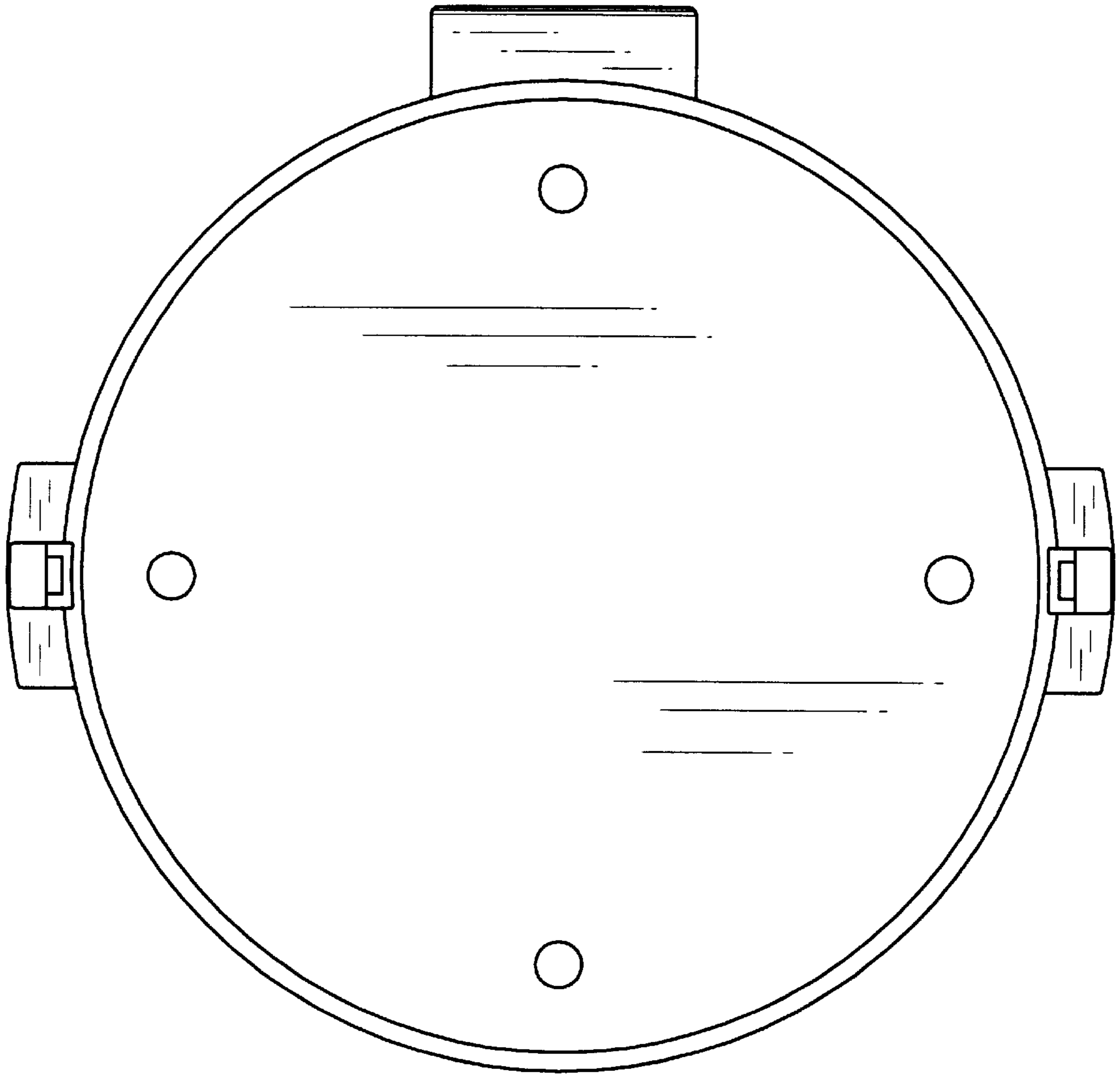
*Fig. 4*



*Fig. 5*



*Fig. 6*



*Fig. 7*