



US00D405647S

# United States Patent [19]

Boilard et al.

[11] Patent Number: **Des. 405,647**

[45] Date of Patent: **\*\*Feb. 16, 1999**

[54] **TRAY**

[75] Inventors: **Michel Boilard**, Sherbrooke; **André Côté**, Montréal; **Patrick Allen**, Lasalle, all of Canada

[73] Assignee: **Air Transat**, Mirabel, Canada

[\*\*] Term: **14 Years**

[21] Appl. No.: **79,775**

[22] Filed: **Nov. 25, 1997**

### [30] Foreign Application Priority Data

May 30, 1997 [CA] Canada ..... 1997-1414

[51] **LOC (6) Cl.** ..... **07-01**

[52] **U.S. Cl.** ..... **D7/553.2; D7/549; D6/406.6**

[58] **Field of Search** ..... D7/500, 501, 505, D7/547, 550, 553, 555, 549, 558, 610, 614, 359, 357, 597, 596, 543, 545, 546, 552, 554, 566, 567, 570, 584, 586, 587, 601, 602, 553.2; 220/505, 23.2, 555; 206/378; D6/406, 406.6; 229/406; D12/425

### [56] References Cited

#### U.S. PATENT DOCUMENTS

D. 270,785 10/1983 White ..... D12/425

|            |         |                  |       |         |
|------------|---------|------------------|-------|---------|
| D. 333,237 | 2/1993  | Plaut            | ..... | D7/553  |
| D. 342,170 | 12/1993 | Palmer           | ..... | D6/406  |
| D. 353,275 | 12/1994 | Longhurst        | ..... | D6/406  |
| D. 360,111 | 7/1995  | Kearney          | ..... | D7/553  |
| D. 376,928 | 12/1996 | Lorenzana et al. | ..... | D6/406  |
| D. 378,477 | 3/1997  | Sussman          | ..... | D6/406  |
| D. 383,918 | 9/1997  | Prince           | ..... | D6/406  |
| D. 387,623 | 12/1997 | Brooks           | ..... | D7/553  |
| 4,219,144  | 8/1980  | Hagelberg        | ..... | 229/406 |

*Primary Examiner*—M. N. Pandozzi  
*Attorney, Agent, or Firm*—Swabey Ogilvy Renault

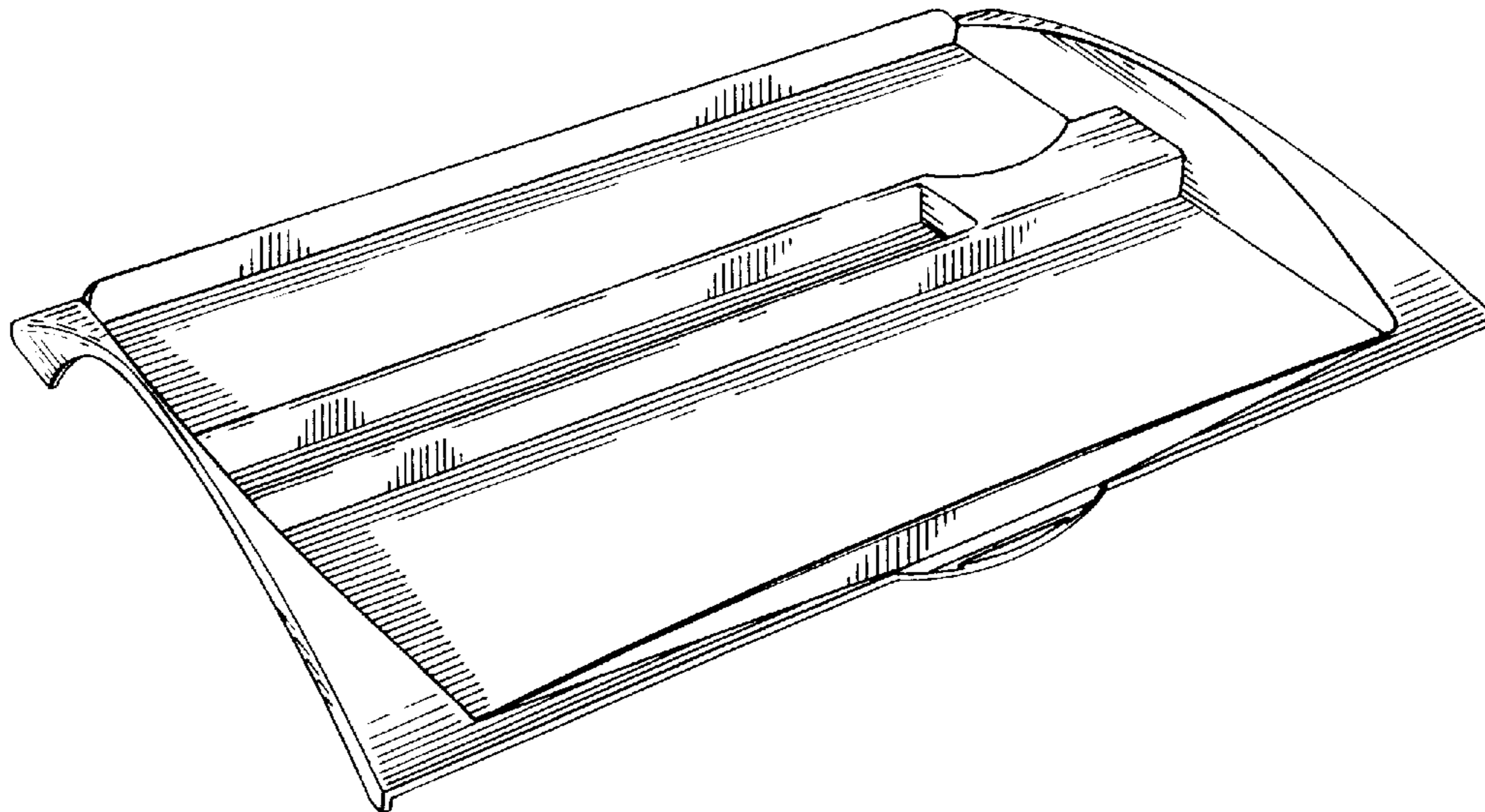
### [57] CLAIM

The ornamental design for a “tray”, as shown and described.

### DESCRIPTION

FIG. 1 is a perspective view of the tray showing our new design;  
FIG. 2 is a top plan view thereof;  
FIG. 3 is a front elevational view thereof;  
FIG. 4 is a right side view thereof;  
FIG. 5 is a left side view thereof;  
FIG. 6 is a rear elevational view thereof; and,  
FIG. 7 is a bottom plan view thereof.

**1 Claim, 2 Drawing Sheets**



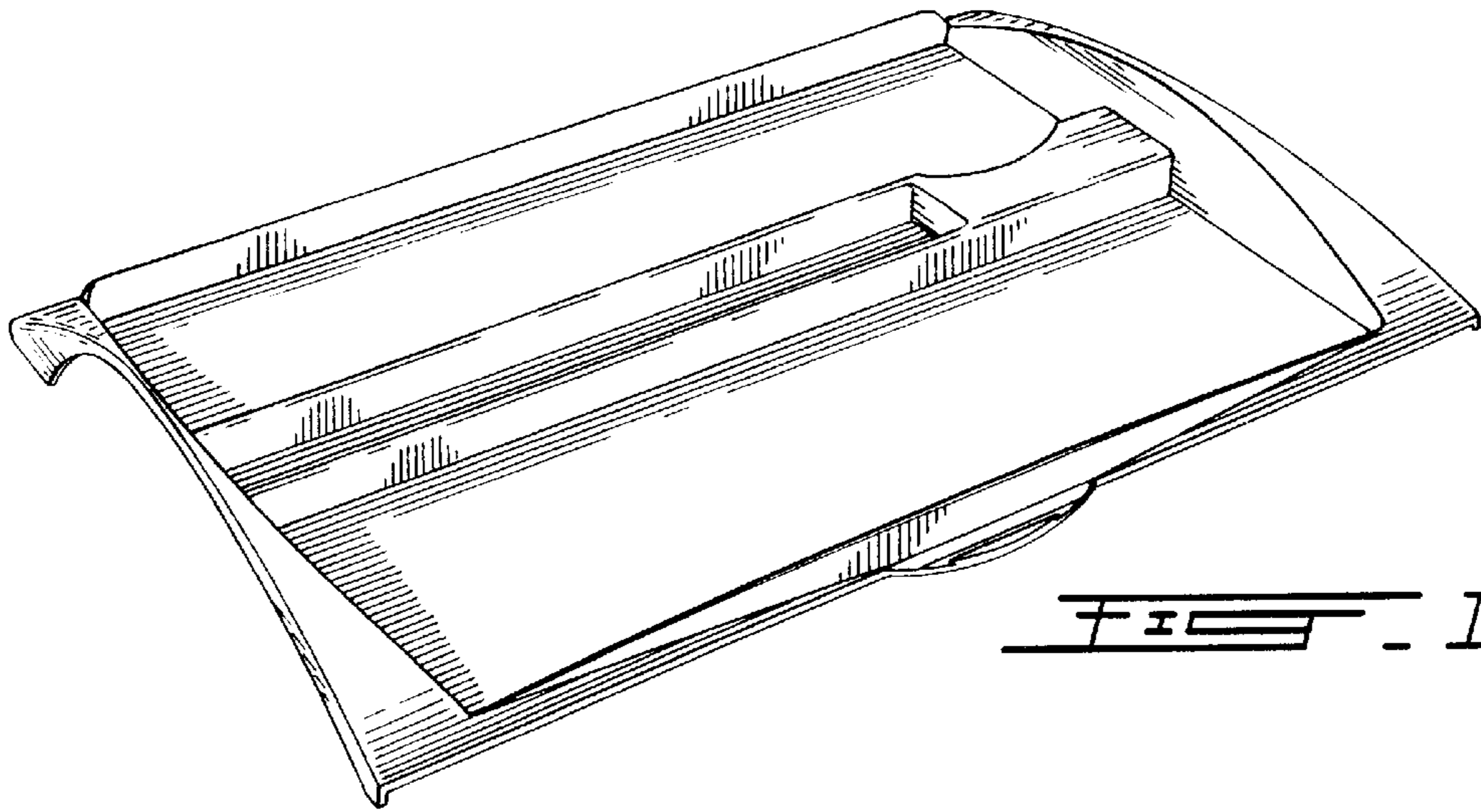


FIG. 1

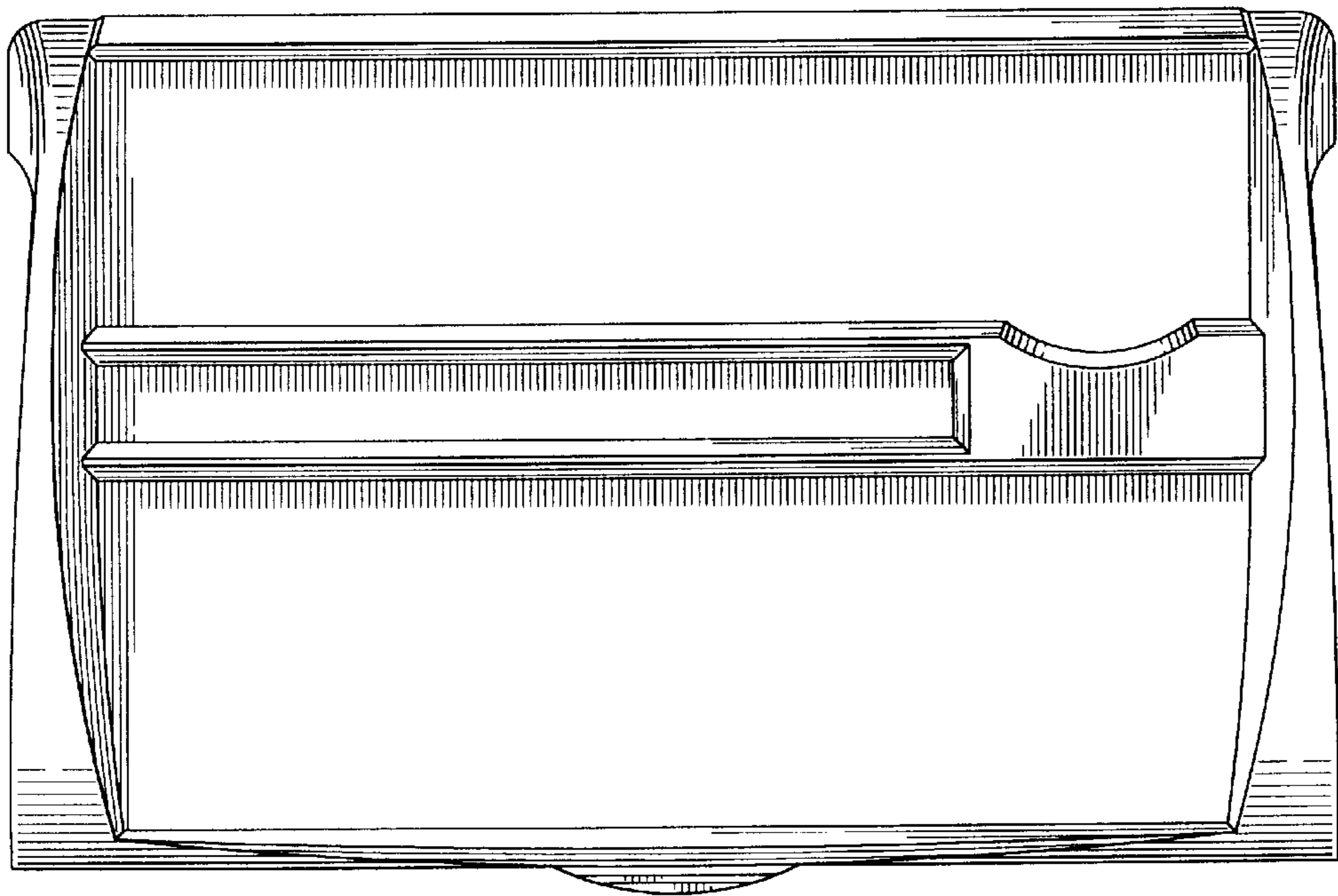


FIG. 2



FIG. 3

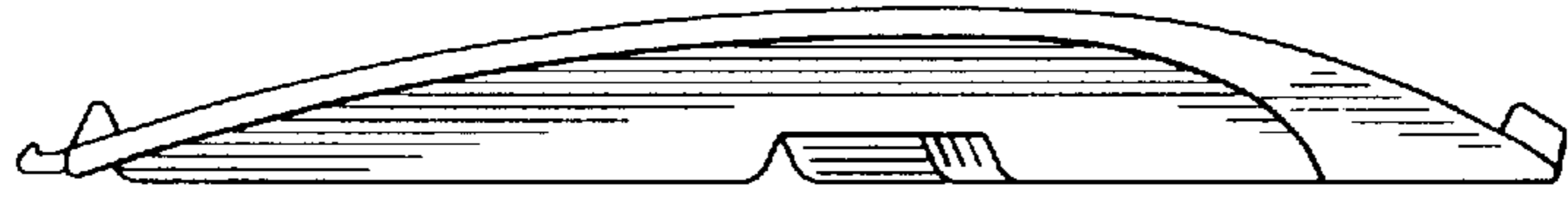


FIG. 4

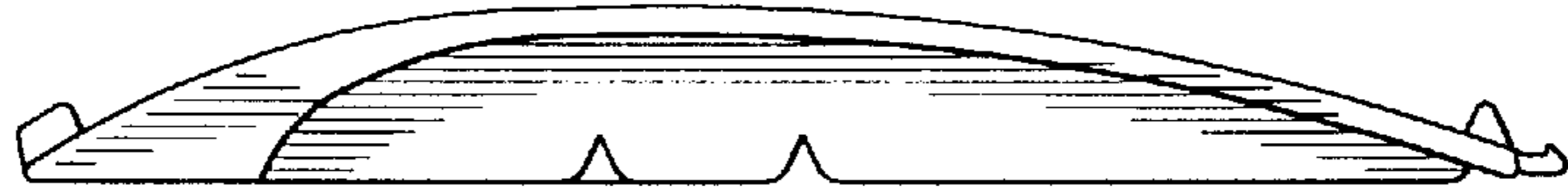


FIG. 5



FIG. 6

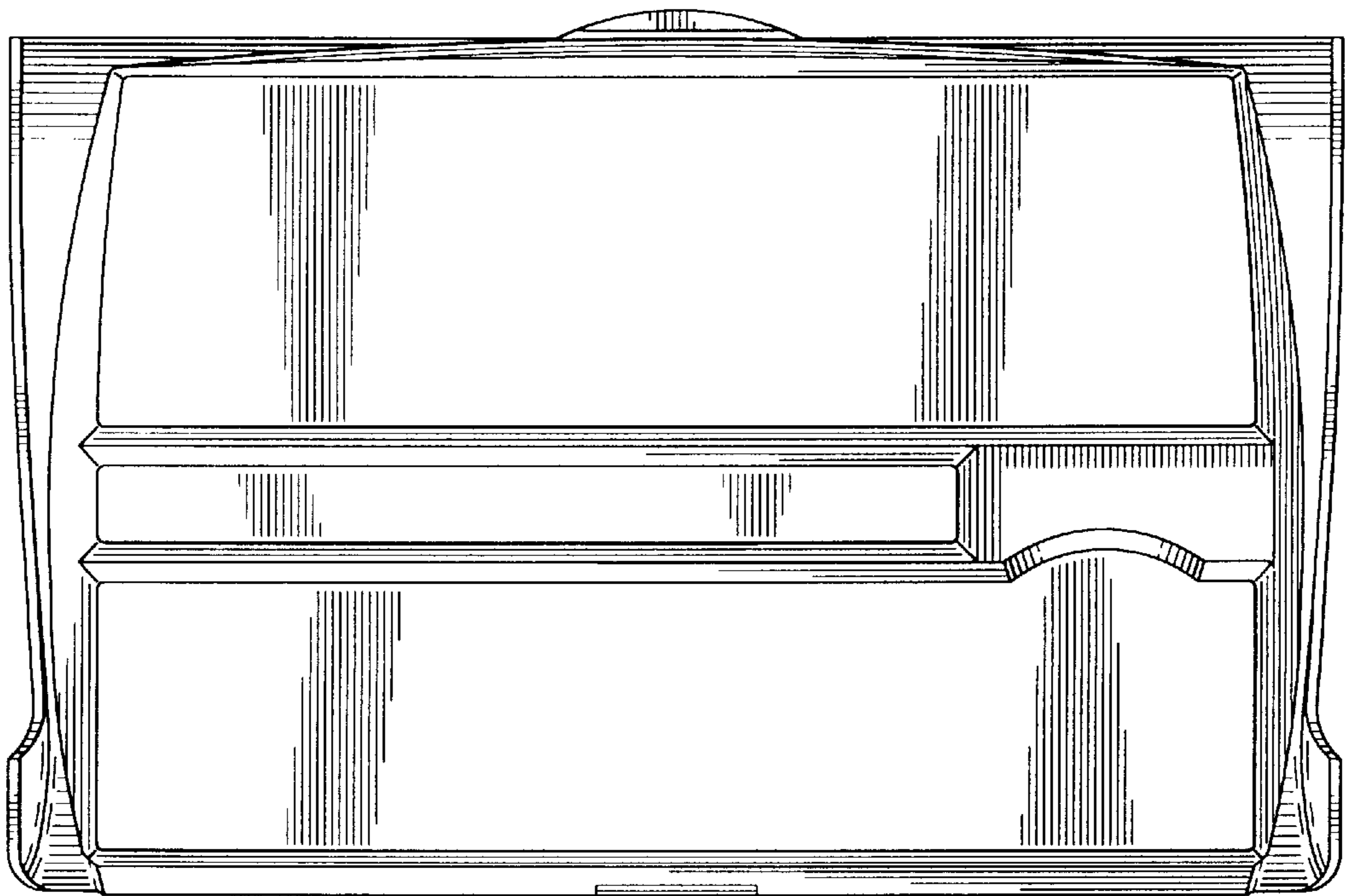


FIG. 7