



US00D405646S

# United States Patent [19]

Indekeu

[11] Patent Number: Des. 405,646

[45] Date of Patent: \*\*Feb. 16, 1999

[54] TRAY

[75] Inventor: Erik Indekeu, Borgerhout, Belgium

[73] Assignee: De Ster NV, Hoogstraten, Belgium

[\*\*] Term: 14 Years

[21] Appl. No.: 83,868

[22] Filed: Feb. 19, 1998

### [30] Foreign Application Priority Data

Aug. 21, 1997 [GB] United Kingdom ..... 2068503  
Dec. 23, 1997 [XH] Hague Agreement ..... DM/042830

[51] LOC (6) Cl. .... 07-01

[52] U.S. Cl. .... D7/550; D7/545; D28/73

[58] Field of Search ..... D7/500, 545, 501,  
D7/505, 547, 550, 553, 555, 549, 558,  
610, 614, 354, 357, 597, 596, 543, 546,  
552, 554, 557, 566, 568, 570, 584, 586,  
587, 601, 602, 363; 220/555, 23.2, 505;  
D6/406; D9/425; 294/144; 99/422; D28/73,  
61

### [56] References Cited

#### U.S. PATENT DOCUMENTS

D. 95,599 5/1935 Marder ..... D7/545

D. 101,465 10/1936 Knapp ..... D7/545  
D. 169,948 5/1953 Zaic ..... D7/545  
D. 173,120 9/1954 Levenhagen ..... D7/550  
D. 193,795 10/1962 Brandon ..... D7/545  
D. 207,593 5/1967 Douglas ..... D7/545  
D. 226,284 2/1973 Bateman ..... D7/550  
D. 226,285 2/1973 Bateman ..... D7/550  
D. 226,673 4/1973 Bateman ..... D7/545  
D. 249,917 10/1978 Collins ..... D7/505  
D. 271,557 11/1983 Schwarzli ..... D7/363  
1,862,010 6/1932 Ehrlich ..... 294/144  
2,704,974 3/1955 Setman ..... 99/422  
3,581,970 6/1971 Colato ..... D7/550 X

Primary Examiner—M. N. Pandozzi  
Attorney, Agent, or Firm—Shlesinger, Arkwright & Garvey  
LLP

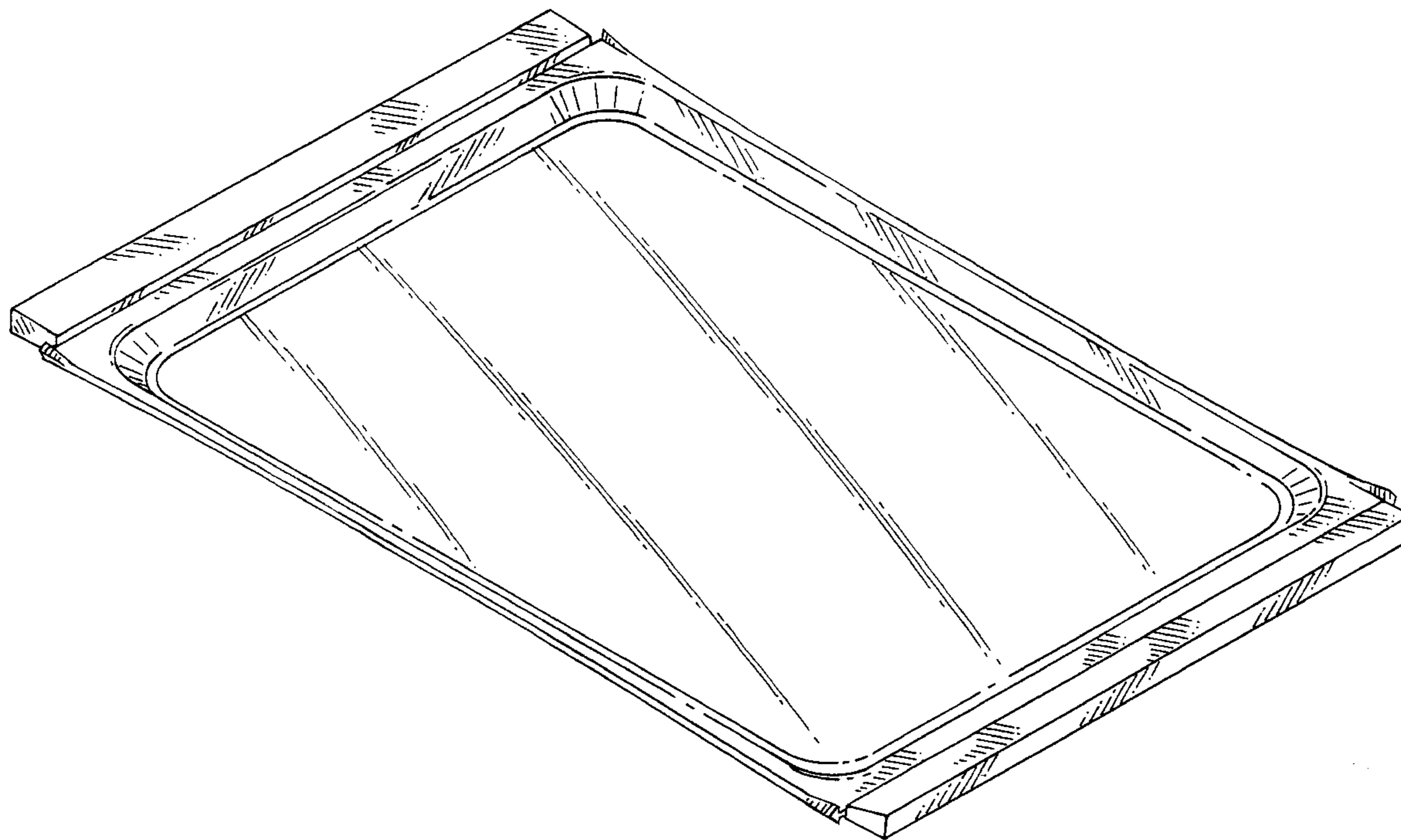
### [57] CLAIM

The ornamental design for the tray, as shown and described.

### DESCRIPTION

FIG. 1 is a top perspective view of a tray showing my design;  
FIG. 2 is a bottom perspective view of the tray of FIG. 1;  
and,  
FIG. 3 is a side view of the tray of FIG. 1, the opposite side  
being a mirror image thereof.

1 Claim, 2 Drawing Sheets



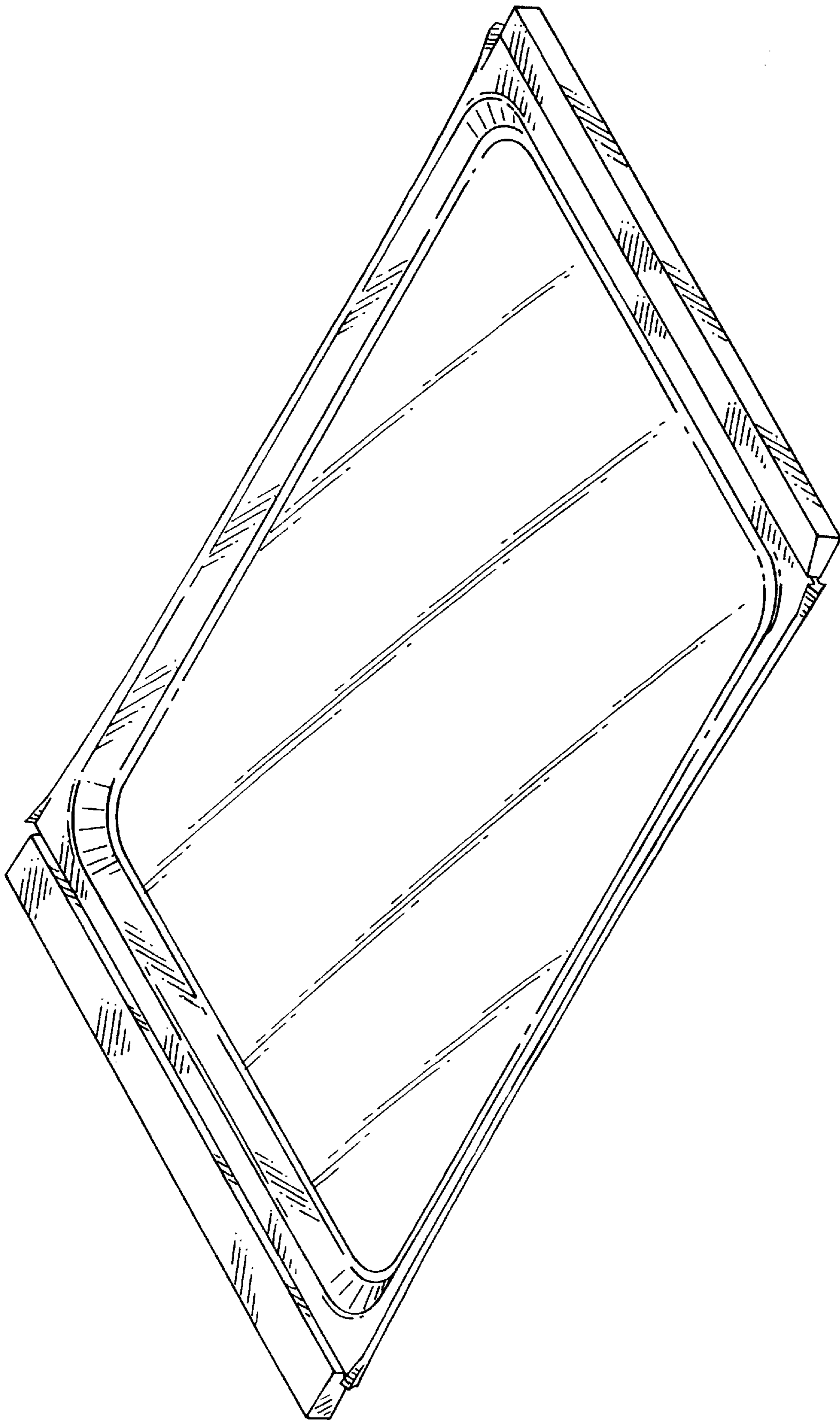


FIG. 1

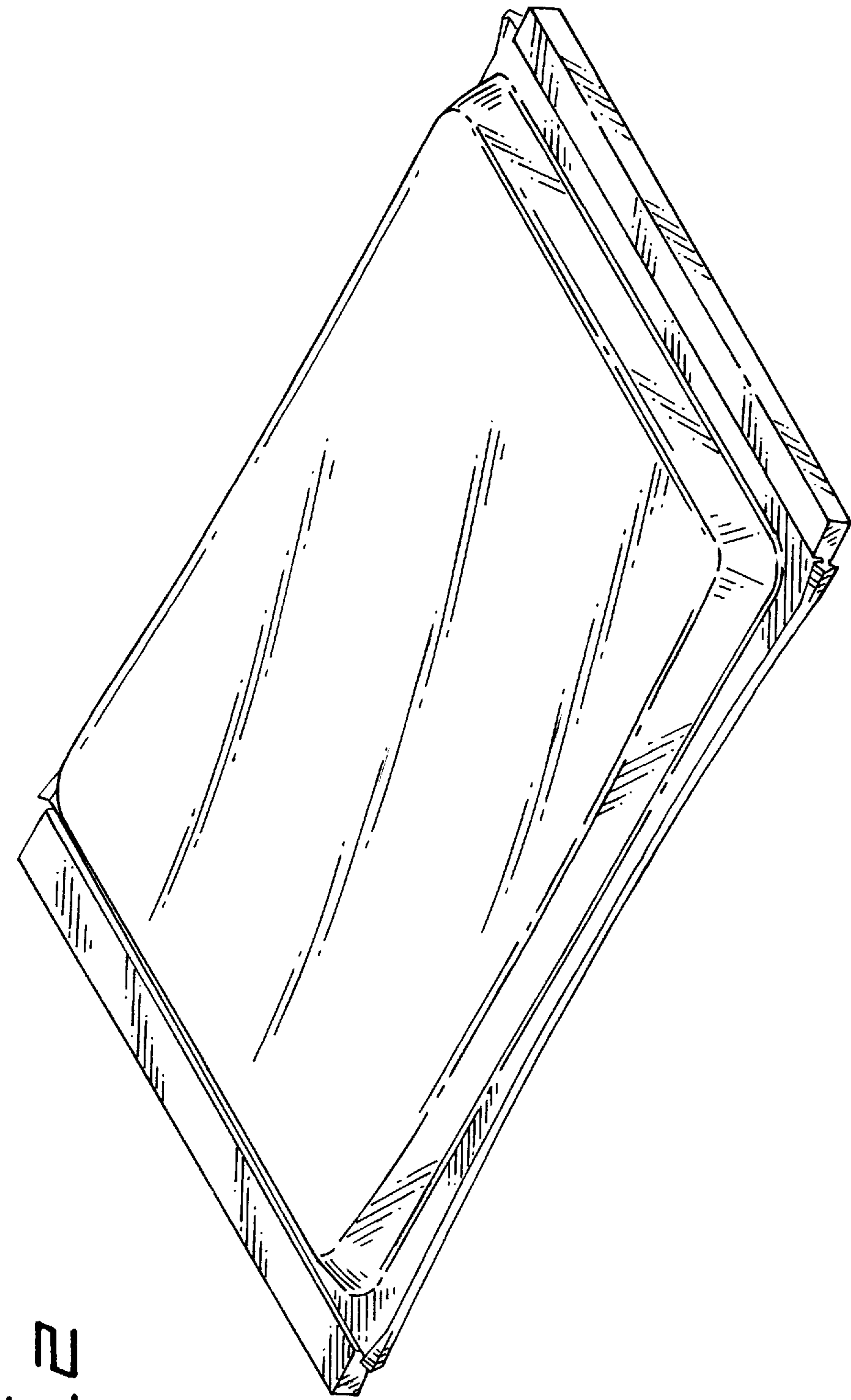


FIG. 2

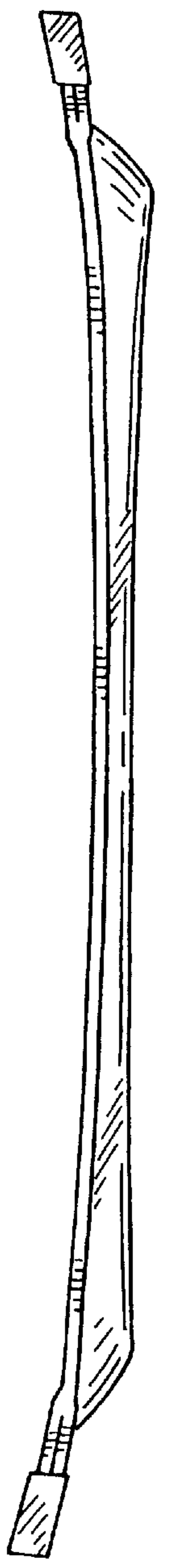


FIG. 3